



US00D353314S

United States Patent [19]
Jaslow

[11] **Patent Number: Des. 353,314**
[45] **Date of Patent: ** Dec. 13, 1994**

[54] **ROUTER ATTACHMENT**
[76] **Inventor: Lee Jaslow, 2633 N. Calvert St., Baltimore, Md. 21218**
[**] **Term: 14 Years**
[21] **Appl. No.: 7,319**
[22] **Filed: Apr. 20, 1993**
[52] **U.S. Cl. D8/70**
[58] **Field of Search D8/70, 97; 409/178, 409/180; 144/136 C, 134 D, 144 R, 241, 180; 16/114 R**

STRIFFLER Dichtungsutfräsen 652 und 653, publication date and place unknown.
WEGOMA Dichtungsutfräsen DF400+DF420, publication date and place unknown.
Hebor D-83, publication date and place unknown.
Hetu-Koffer, pp. 2 and 3, publication date and place unknown.
Hoffmann Sealing Groove Routing Machine D-83, pp. 4 and 5, publication date and place unknown.

Primary Examiner—Alan P. Douglas
Assistant Examiner—Jeffrey H. Musgrove
Attorney, Agent, or Firm—Sterne, Kessler, Goldstein & Fox

[56] **References Cited**
U.S. PATENT DOCUMENTS

3,285,135	11/1966	Shaw	409/180
3,955,607	5/1976	Roche	144/134 D
4,608,291	8/1986	Gove	428/119
4,742,856	5/1988	Hehr et al.	144/134 D
4,881,294	11/1989	Riedl	16/114 R
4,993,897	2/1991	Anderhalden	144/136 C
5,186,225	2/1993	Kenyeres	144/134 D
5,265,657	11/1993	Matsumoto et al.	144/134 D

OTHER PUBLICATIONS

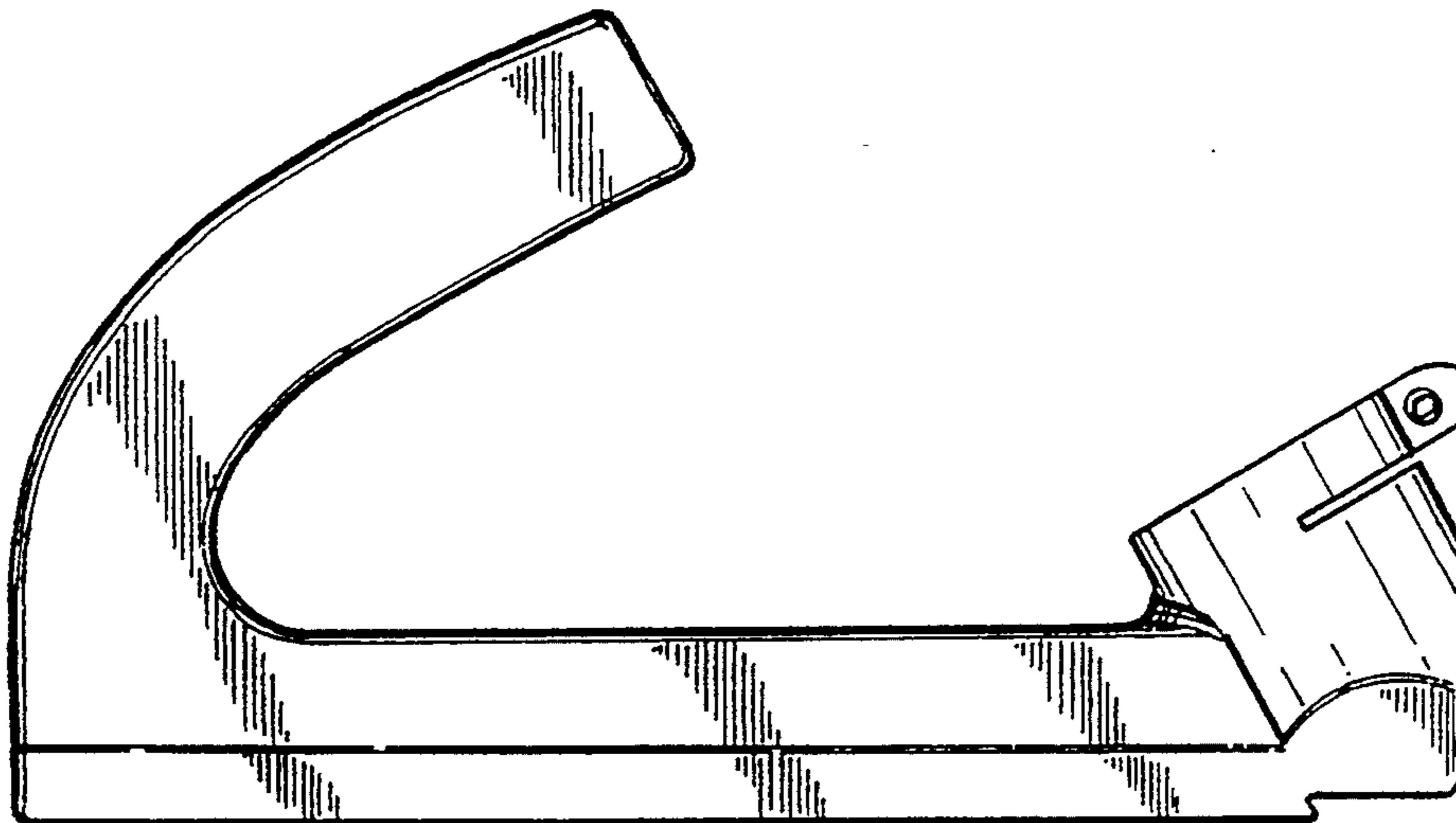
SIPRO Lösung, publication date and place unknown.

[57] **CLAIM**

The ornamental design for a router attachment, as shown and described.

DESCRIPTION

FIG. 1 is a left side elevational view of a router attachment showing my new design;
FIG. 2 is a right side elevational view thereof;
FIG. 3 is a top plan view thereof;
FIG. 4 is a bottom plan view thereof;
FIG. 5 is a front elevational view thereof; and,
FIG. 6 is a rear elevational view thereof.



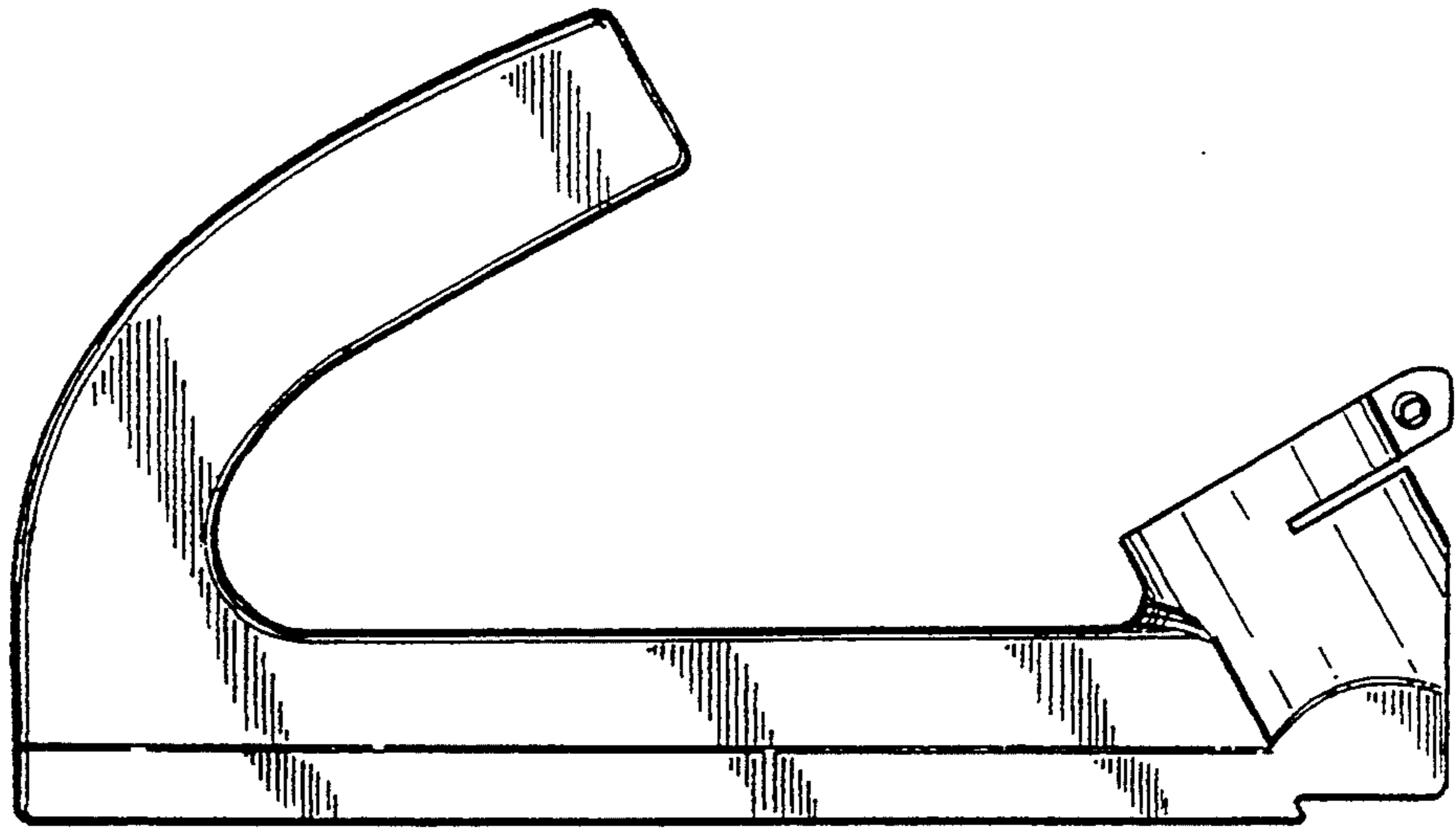


FIG. 1

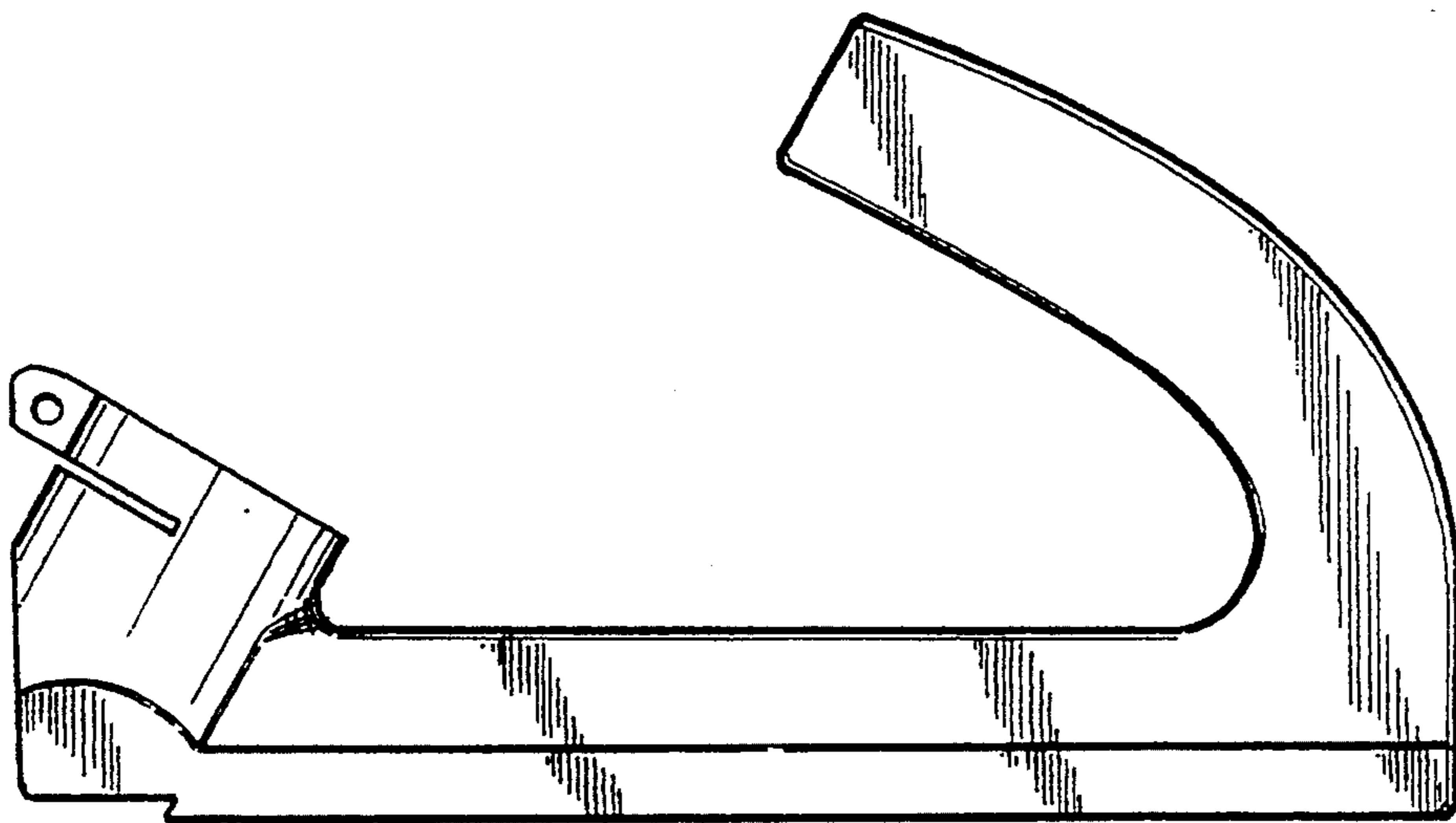


FIG. 2

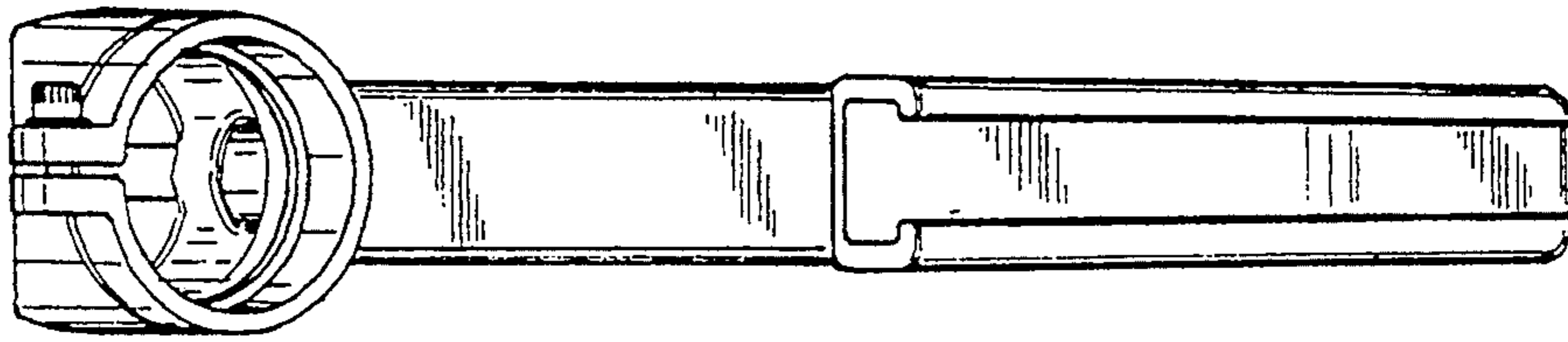


FIG. 3

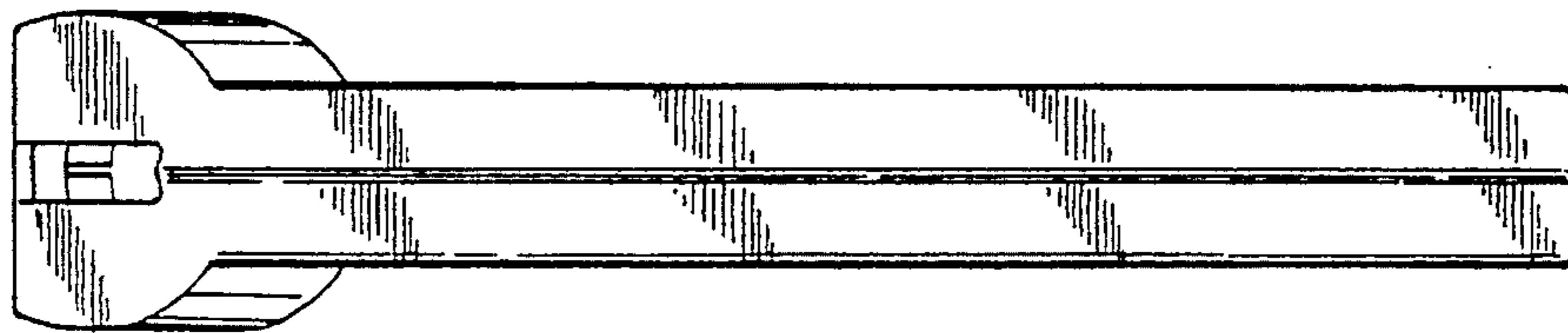


FIG. 4

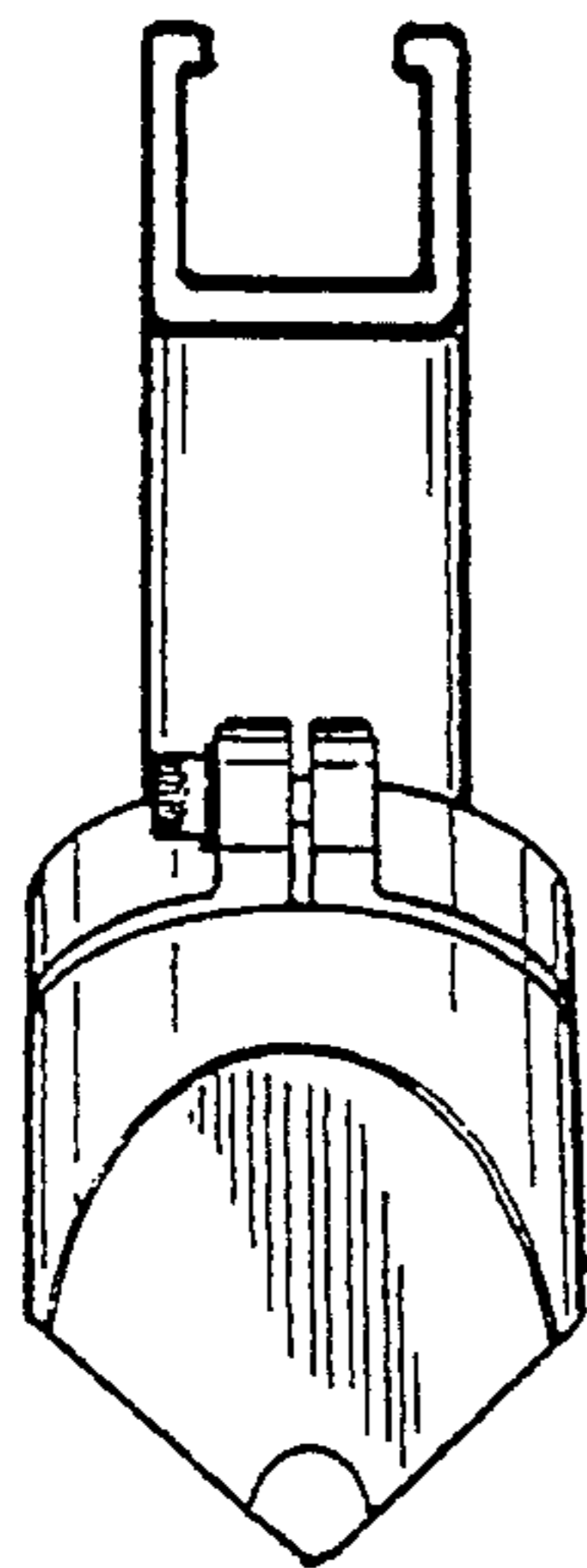


FIG. 5

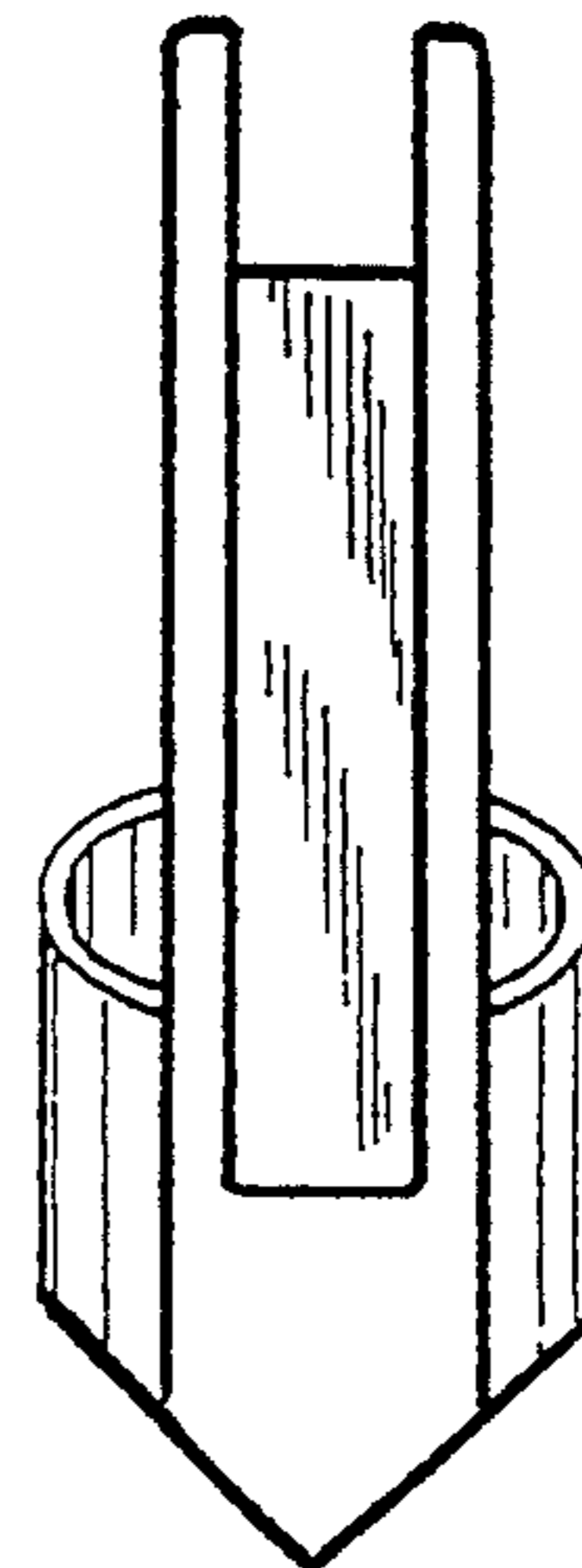


FIG. 6