



US00D353313S

United States Patent [19]

[11] Patent Number: **Des. 353,313**

Stiles

[45] Date of Patent: **** Dec. 13, 1994**

[54] **COMBINED DRYWALL SANDER AND VACUUM APPARATUS**

[76] Inventor: **James W. Stiles**, P.O. Box 596, Hiawassee, Ga. 30546

[**] Term: **14 Years**

[21] Appl. No.: **9,652**

[22] Filed: **Jun. 21, 1993**

[52] U.S. Cl. **D8/62**

[58] Field of Search **D8/62; 51/180, 273, 51/170 TL, 170 R; D25/119, 125**

[56] **References Cited**

U.S. PATENT DOCUMENTS

D. 340,629	10/1993	Sanchez et al.	D8/62
4,062,152	12/1977	Mehrer	51/170 R
4,697,389	10/1987	Romine	51/180
5,036,627	8/1991	Walters	51/180

Primary Examiner—Alan P. Douglas

Assistant Examiner—Jeffry H. Musgrove
Attorney, Agent, or Firm—Rhodes & Ascolillo

[57] **CLAIM**

The ornamental design for a combined drywall sander and vacuum apparatus, as shown and described.

DESCRIPTION

FIG. 1 is a front elevational view of a combined drywall sander and vacuum apparatus showing my new design therefor;

FIG. 2 is a left side elevational view the handle has been foreshortened to allow more detail of the design to be shown;

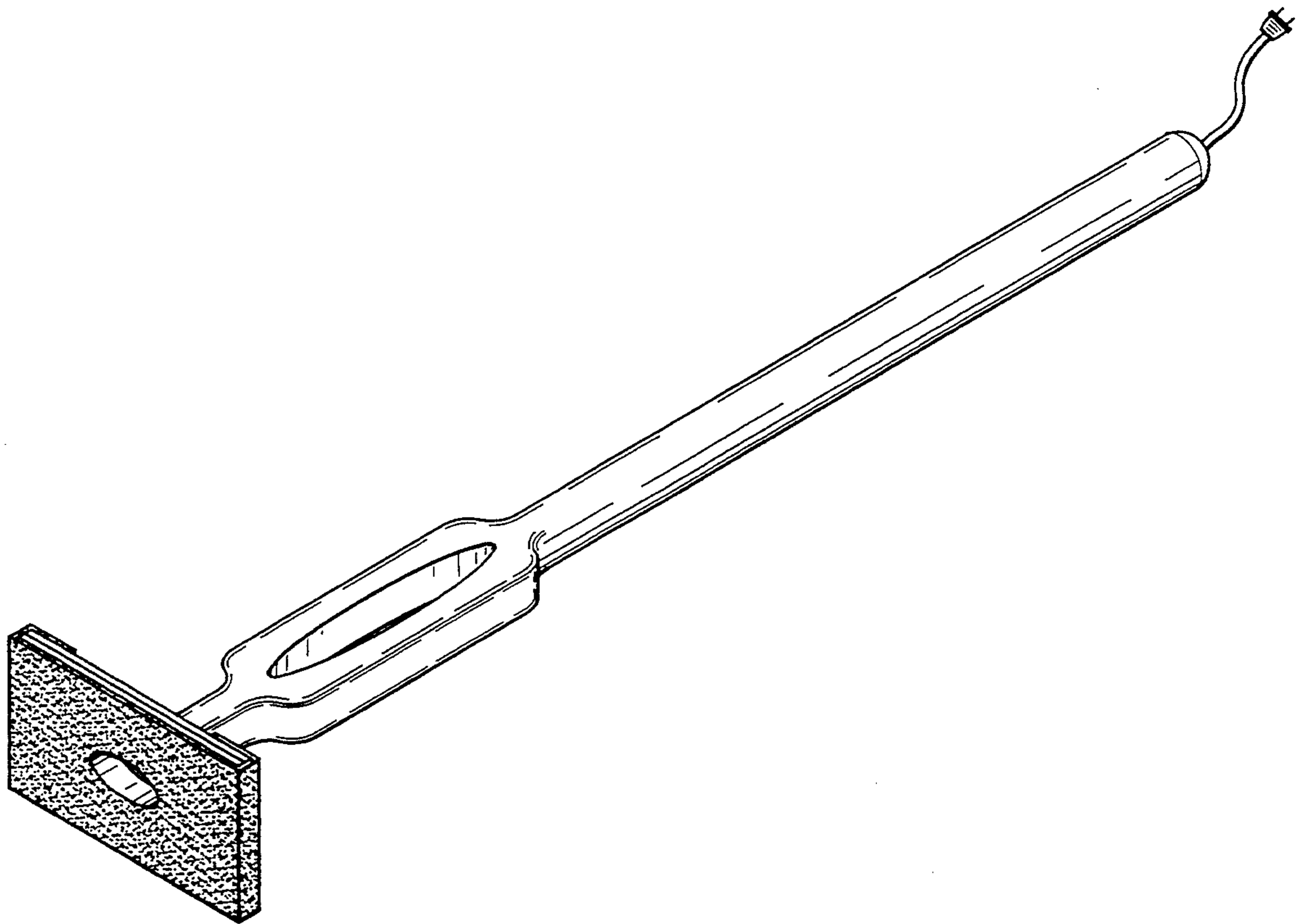
FIG. 3 is a top plan view;

FIG. 4 is a rear elevational view;

FIG. 5 is a right side elevational view, the handle has been foreshortened to allow more detail of the design to be shown;

FIG. 6 is a bottom plan view; and,

FIG. 7 is a perspective view of the combined drywall sander and vacuum apparatus.



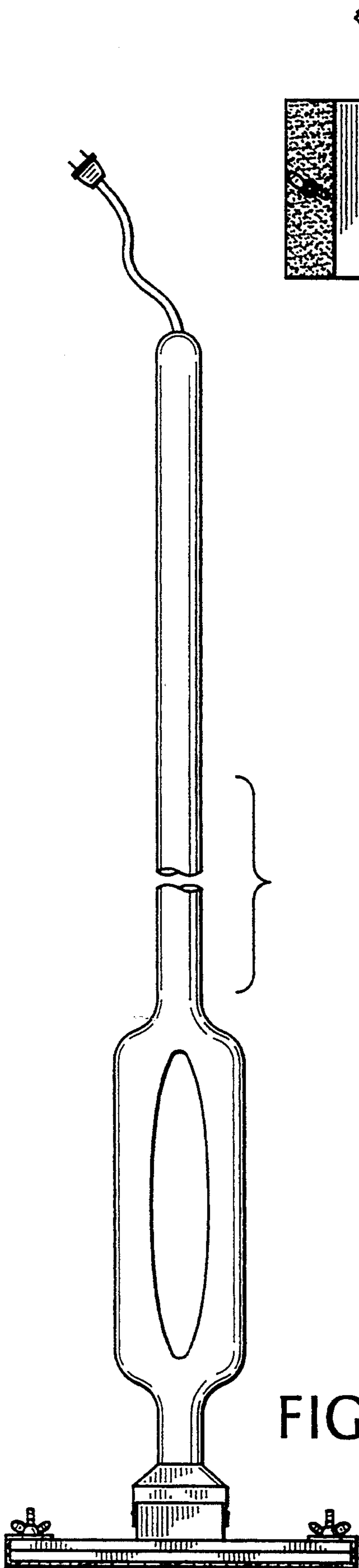


FIG. 1

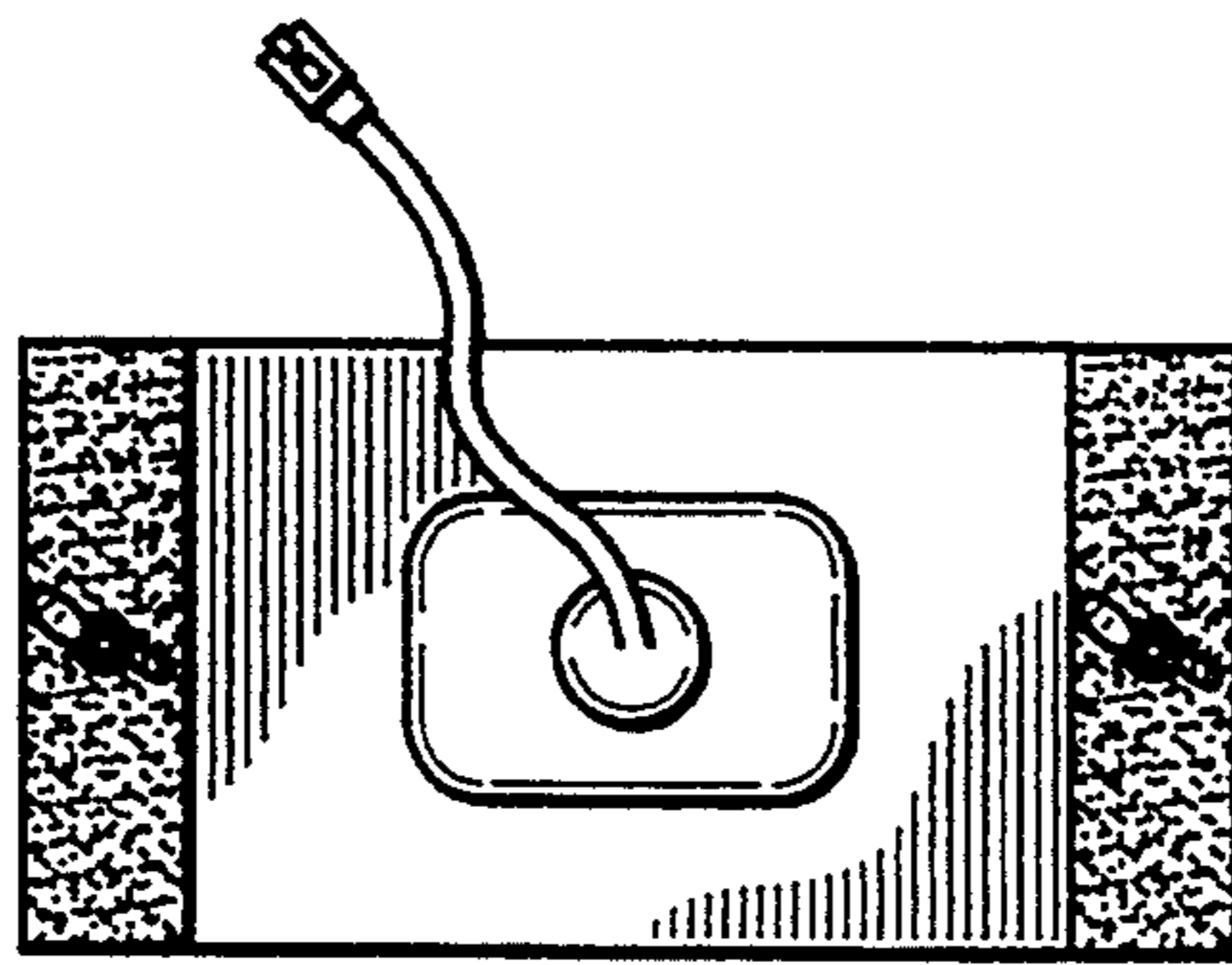


FIG. 3

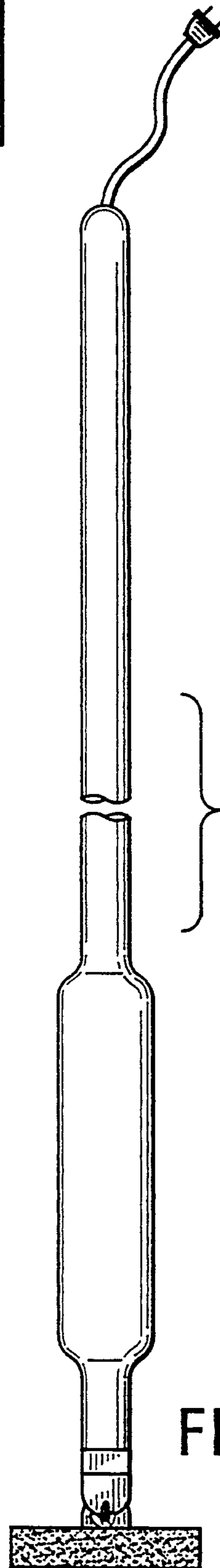
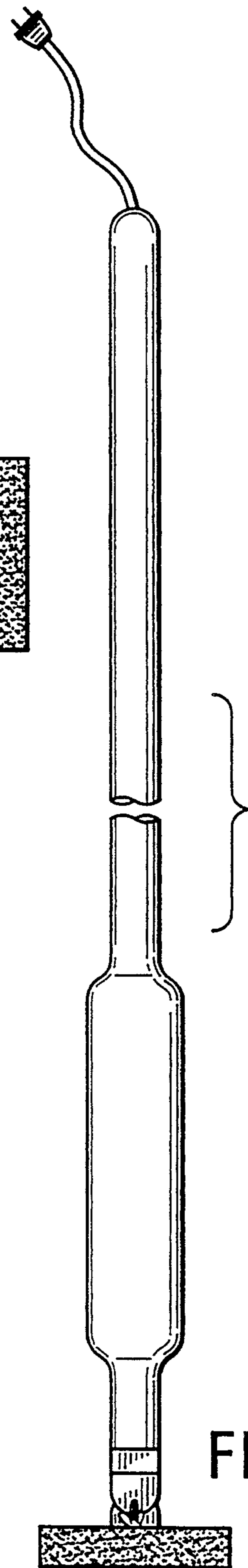
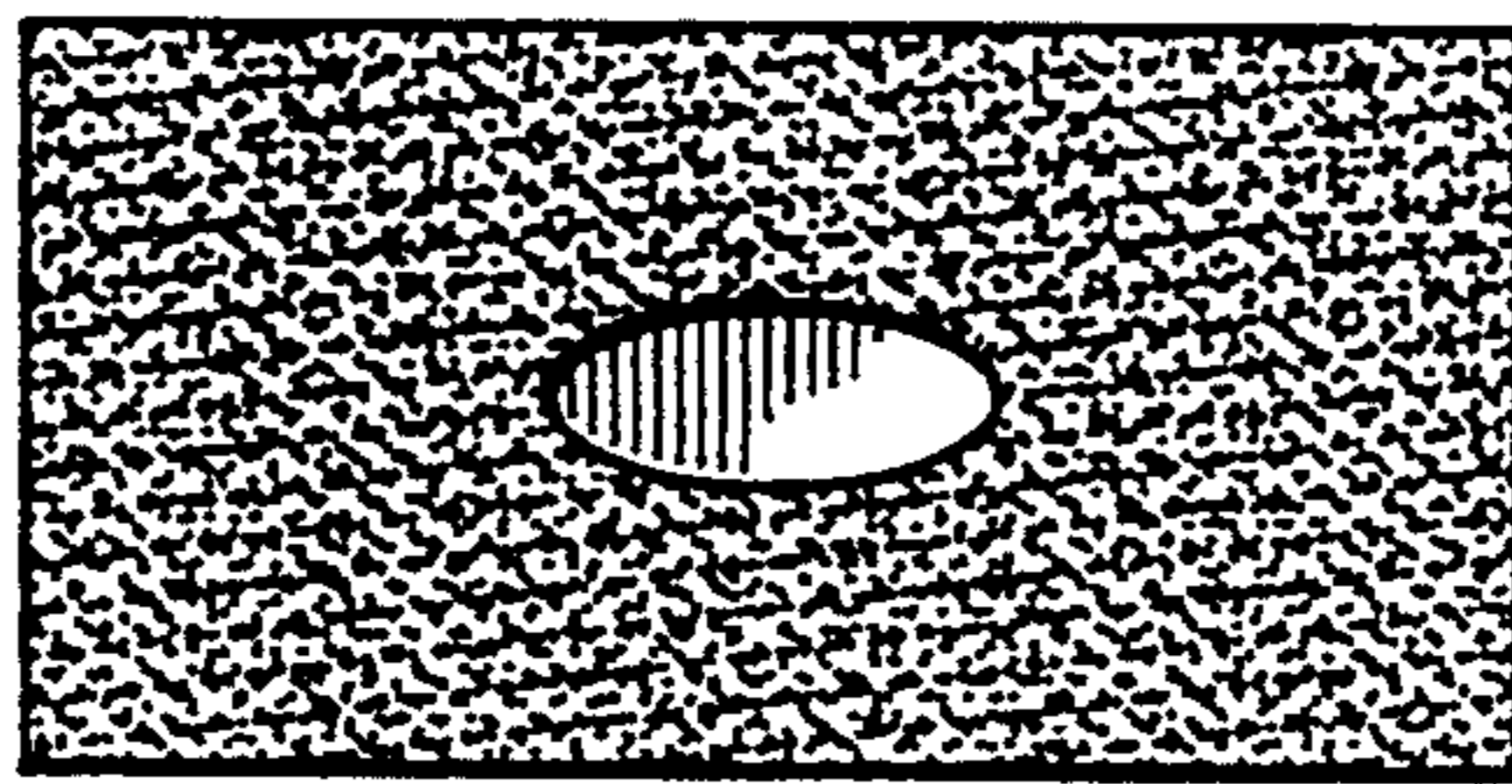
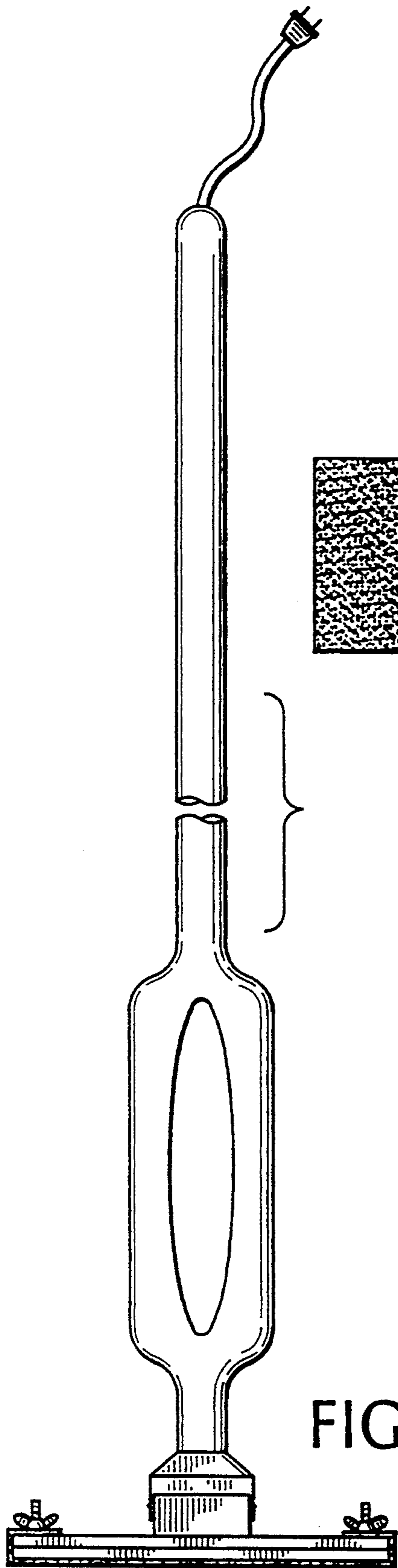


FIG. 2



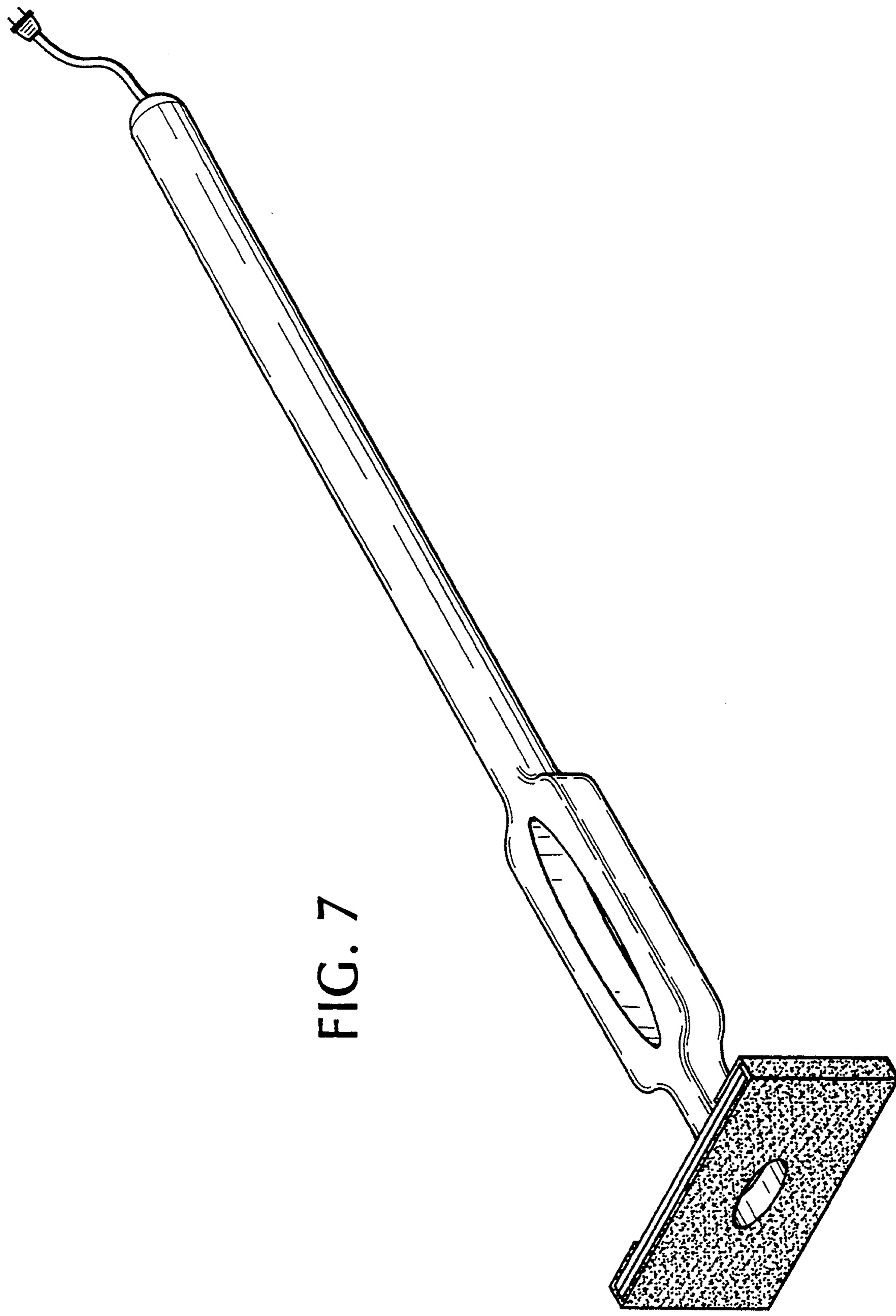


FIG. 7