



US00D353312S

United States Patent [19]

[11] Patent Number: **Des. 353,312**

Izumisawa

[45] Date of Patent: **** Dec. 13, 1994**

- [54] **DUAL ACTION WATER SUPPLY SANDER**
- [75] Inventor: **Nobuyuki Izumisawa**, Tokyo, Japan
- [73] Assignee: **Shinano, Inc.**, Japan
- [**] Term: **14 Years**
- [21] Appl. No.: **8,102**
- [22] Filed: **May 4, 1993**
- [52] U.S. Cl. **D8/62**
- [58] Field of Search **D8/62; 51/170, 170 R, 51/170 MT, 170 TL**

Tools For The World Class Technician TM, Mac Tools, Inc., p. 178, publication date unknown.
Tool And Equipment Catalog, Matco Tools, pp. 168, 174, 1992-1993.
Automotive Finishing Systems Catalog, Dynabrade TM, pp. 4-8, 12, 15, 1992.
Air Tools, Florida Pneumatic, p. 12, publication date unknown.
High Performance Pneumatic Sanders And Accessories, Hutchins, pp. 2-5, 7, publication date unknown.
Astro World, Astro Pneumatic Tool Company, p. 12, No. 6, Nov. 1992.
Astro Power TM, Astro Pneumatic Tool Company, p. 24, publication date unknown.
Automotive Air Tools, Chicago Pneumatic, pp. 31, 36, Mar. 1990.

[56] **References Cited**
U.S. PATENT DOCUMENTS

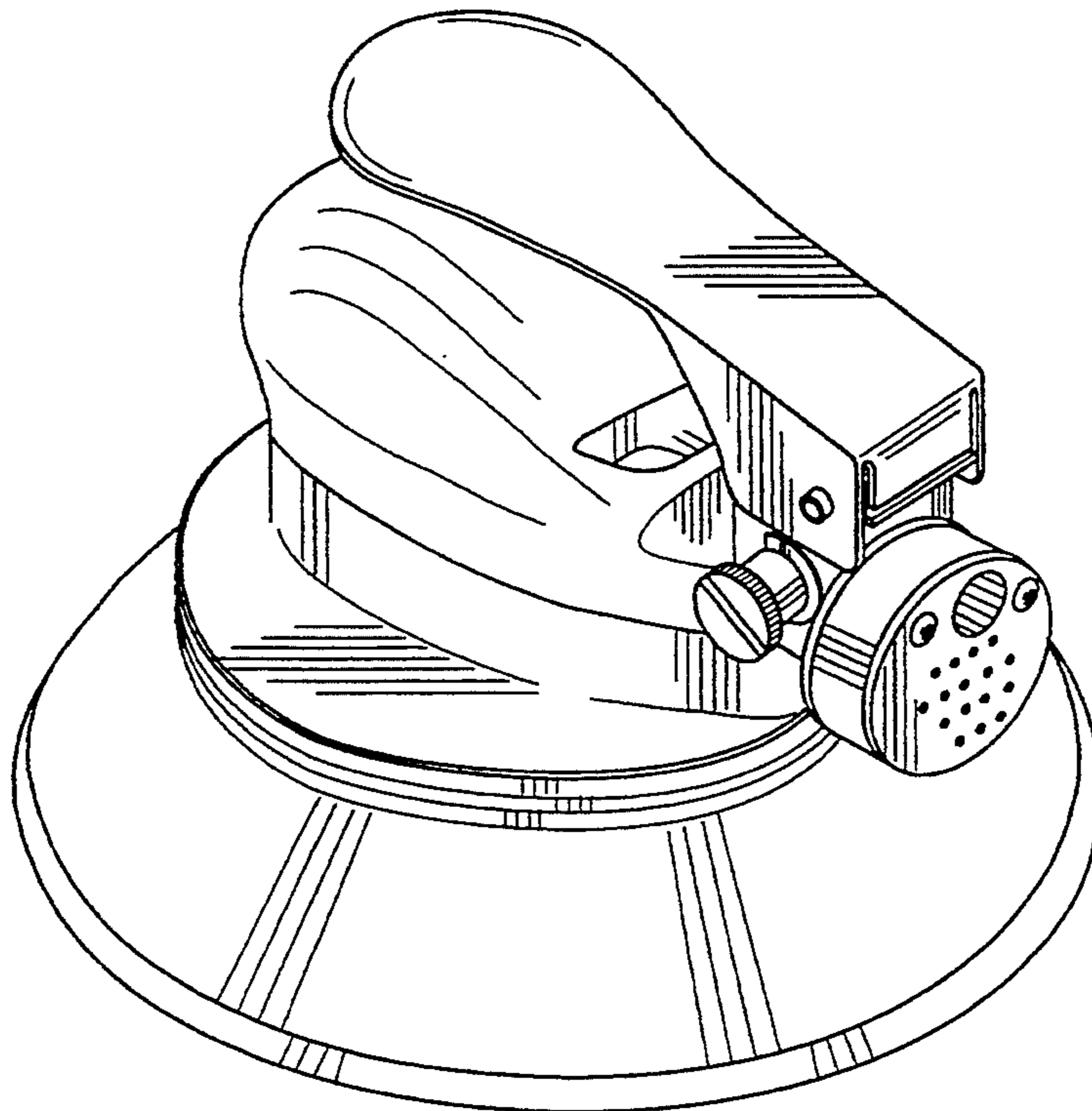
D. 334,126	3/1993	Huber et al.	D8/62
4,058,936	11/1977	Marion	51/170 T
4,660,329	4/1987	Hutchins	51/170 MT
4,671,020	6/1987	Hutchins	51/170 MT

Primary Examiner—Alan P. Douglas
Assistant Examiner—Jeffrey H. Musgrove
Attorney, Agent, or Firm—Greer, Burns & Crain, Ltd.

OTHER PUBLICATIONS
Quick Reference Catalogue, Universal Power Tools, publication date unknown.
Automotive Professional Tools And Equipment, Sioux Tools, Inc., pp. 6-7, Catalog No. 90A, publication date unknown.
Automotive Tools & Equipmwnt, Sunex International, p. 17, 1990-1991.
Quick Reference Catalogue, Radac Pneumatic Tools, publication date unknown.
Automotive Power Tools, Ingersoll-Rand ®, pp. 31-32, 1992.

[57] **CLAIM**
 The ornamental design for a dual action water supply sander, as shown and described.

DESCRIPTION
 FIG. 1 is perspective view of the dual action water supply sander showing my new design;
 FIG. 2 is a top view thereof;
 FIG. 3 is a right side view thereof;
 FIG. 4 is a bottom view thereof;
 FIG. 5 is a left side view thereof;
 FIG. 6 is a rear view thereof; and,
 FIG. 7 is a front view thereof.



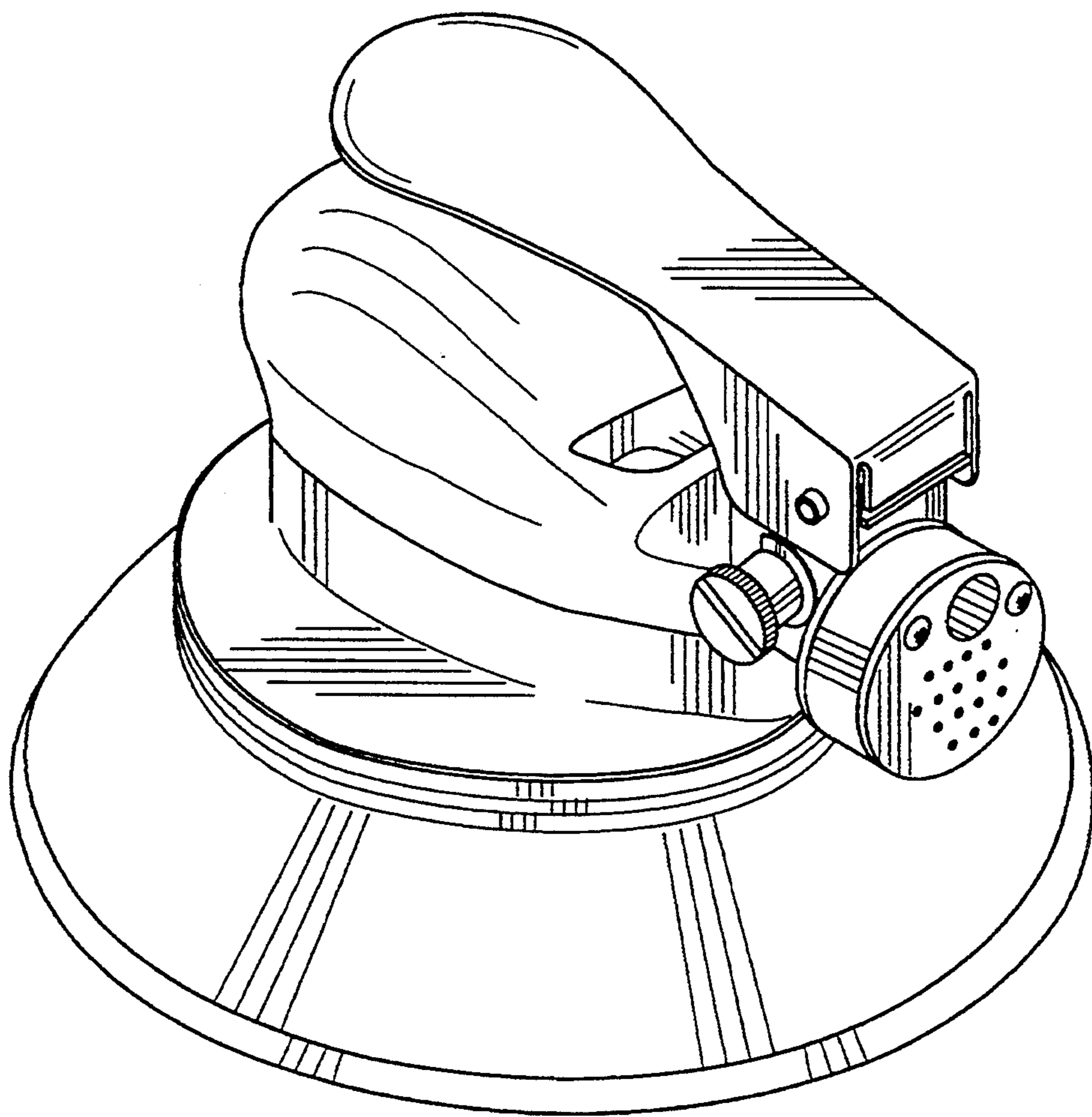


FIGURE 1

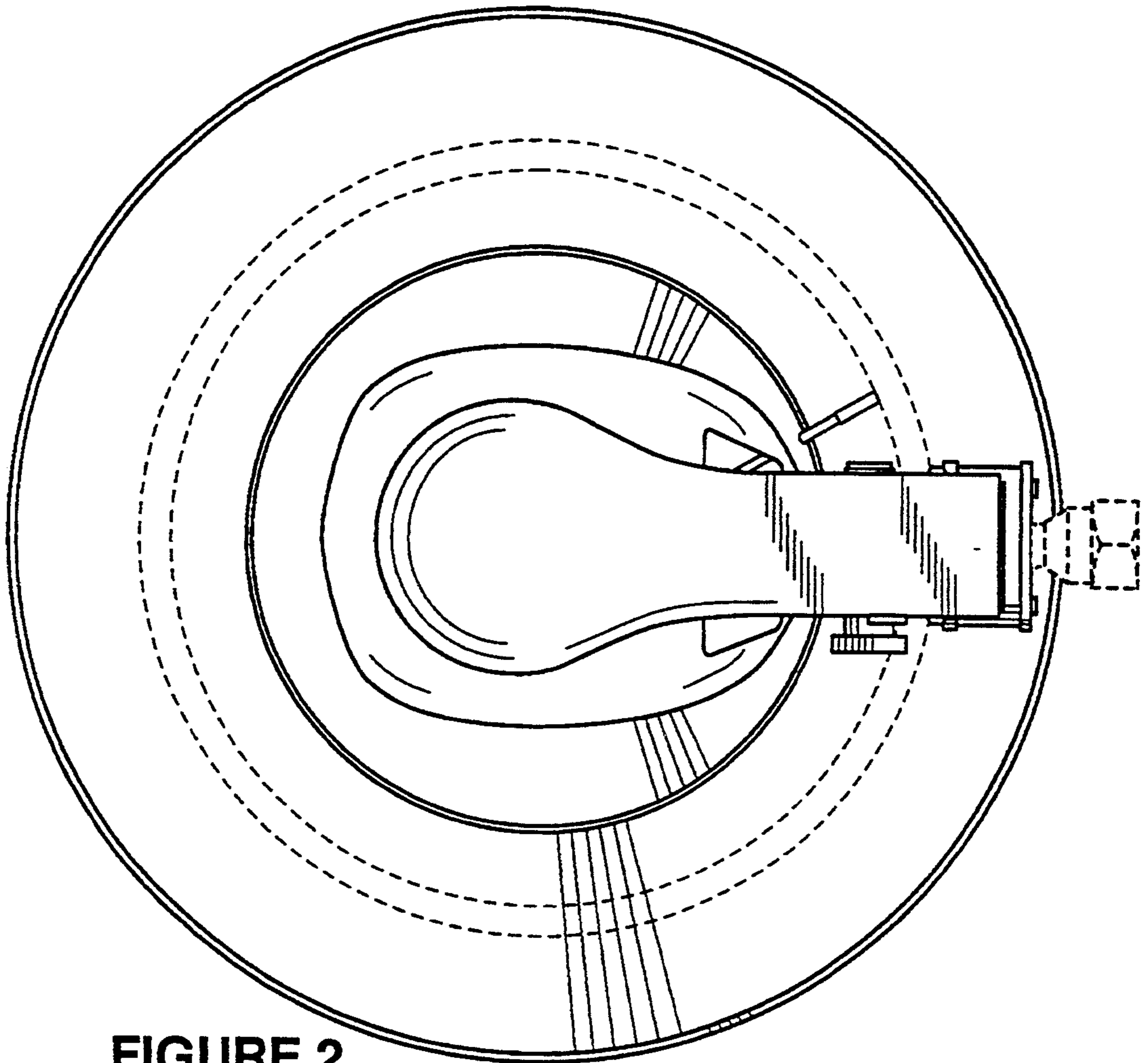


FIGURE 2

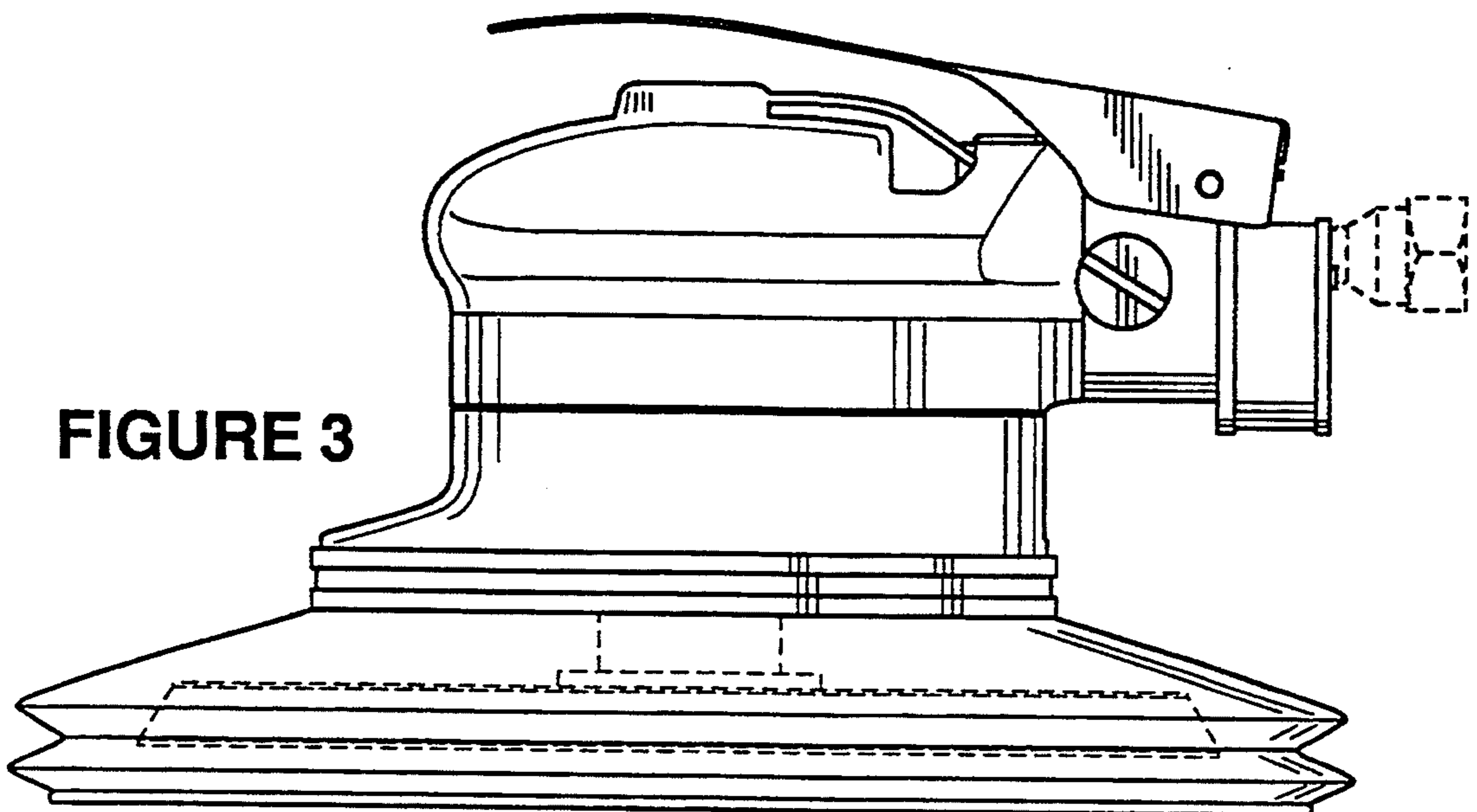


FIGURE 3

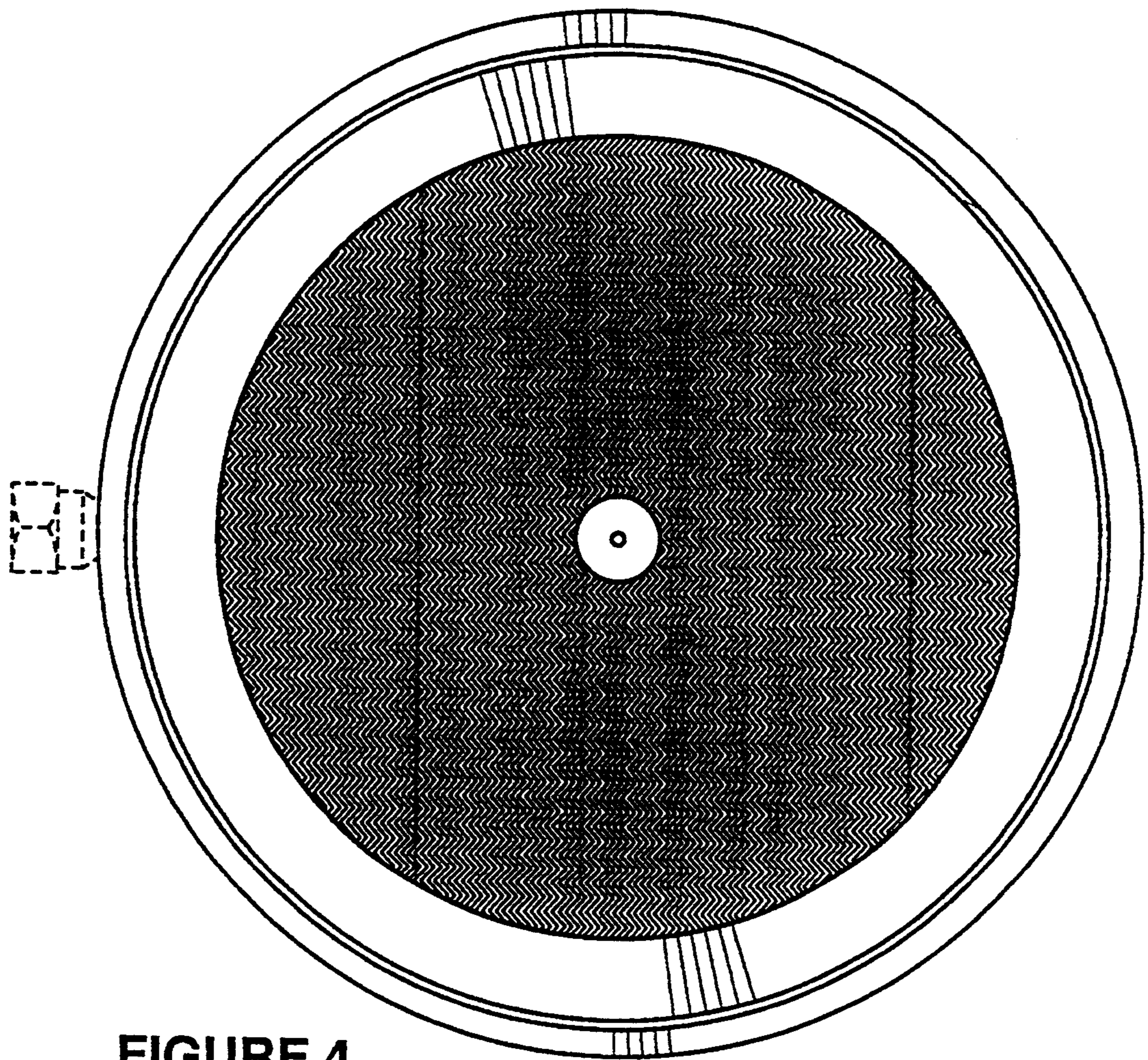


FIGURE 4

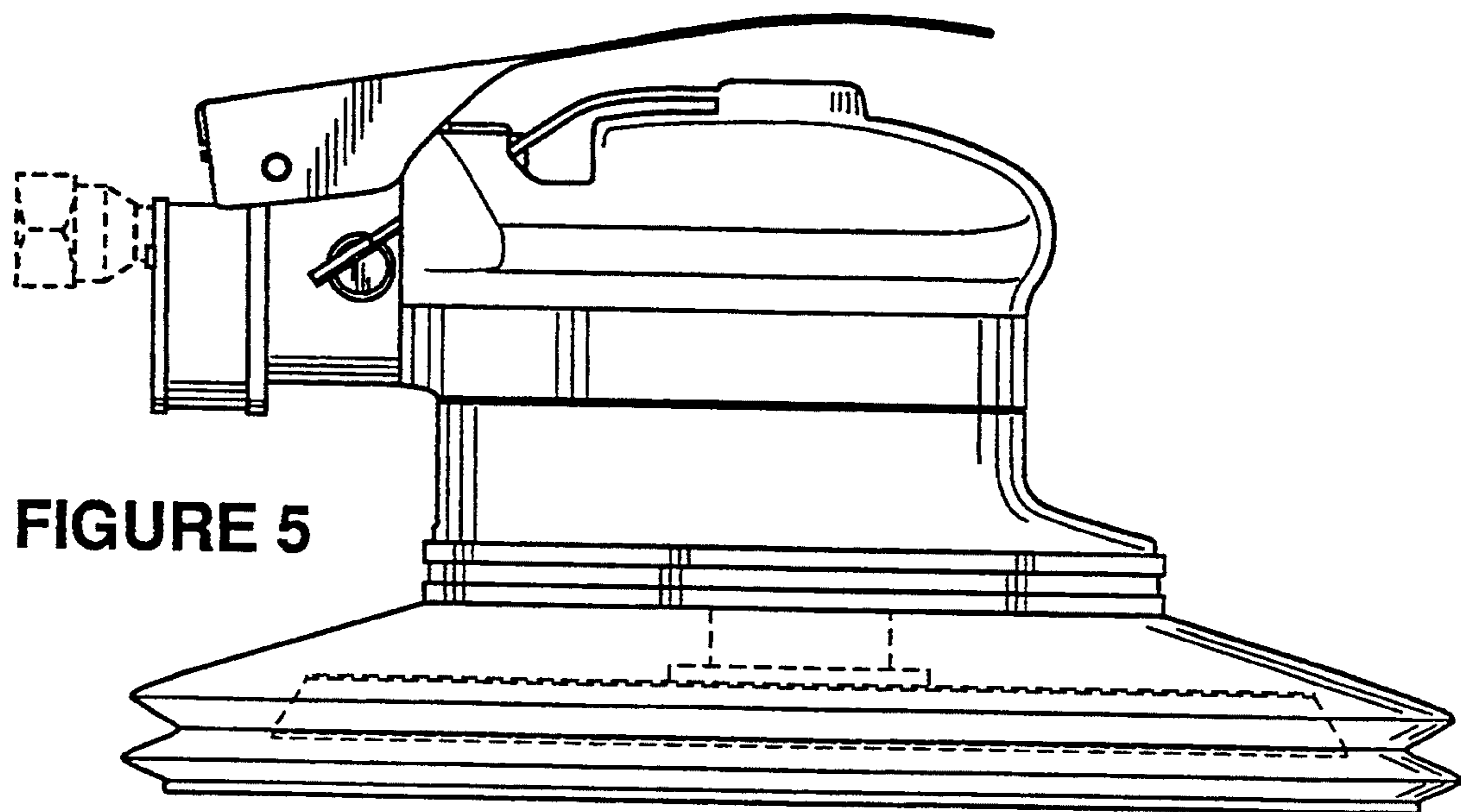


FIGURE 5

