



US00D353310S

United States Patent [19]

[11] Patent Number: **Des. 353,310**

Izumisawa

[45] Date of Patent: **** Dec. 13, 1994**

[54] **DUAL ACTION SANDER**

[75] Inventor: **Nobuyuki Izumisawa, Tokyo, Japan**

[73] Assignee: **Shinano, Inc., Japan**

[**] Term: **14 Years**

[21] Appl. No.: **7,905**

[22] Filed: **May 4, 1993**

[52] U.S. Cl. **D8/62**

[58] Field of Search **D8/62, 61; 51/170 R, 51/170 T, 170 TL, 170 EB, 170 MT; D15/139**

[56] **References Cited**

U.S. PATENT DOCUMENTS

D. 256,881	9/1980	Hutchins	D8/62
D. 310,007	8/1990	Saito et al.	D8/62
3,364,625	1/1968	Sogge	51/170 MT
3,857,206	12/1974	Heffran, Jr.	51/170 MT
4,102,084	7/1978	Bloomquist	51/170 MT

OTHER PUBLICATIONS

Precision Tools for the Automotive Industry Product Catalog, Vicking ® Air Tools, pp. 1-2, publication date unknown.

Astro World, Astro Pneumatic Tool Company, p. 12, No. 6, Nov., 1992.

Astro Power™, Astro Pneumatic Tool Company, p. 24, publication date unknown.

Tools and Accessories Catalog, Buffalo®, p. 8, 1992.

Automotive Air Tools, Chicago Pneumatic, pp. 26, 31, 36, 39, Mar., 1990.

Automotive Finishing Systems Catalog, Dynabrade™, p. 12, 1993.

Air Tools, Florida Pneumatic, pp. 10-11, publication date unknown.

High Performance Pneumatic Sanders And Accessories, Hutchings, pp. 2-6, publication date unknown.

Automotive Power Tools, Ingersoll-Rand™, p. 34, 1992.

Tools For The World Class Technician™, Mac Tools, Inc., pp. 177-178.

Tool and Equipment Catalog, Matco Tools, pp. 168-174, 1992-1993.

Air Tools, Mechanics Products, pp. 10-11, 1992.

Pneumatic Sanders, National-Detroit, Inc., pp. 2-4, publication date unknown.

Raider Air Tools, Florida Pneumatic, Sep. 30.

Automotive Professional Tools And Equipment, Sioux Tools, Inc., pp. 6-7, Catalog No. 90A, publication date unknown.

Worldwide, Snap-On, p. 194, publication date unknown.

Automotive Tools & Equipment, Sunex International, p. 17, 1990-1991.

Quick Reference Catalogue, Rodac Pneumatic Tools, publication date unknown.

Quick Reference Catalogue, Universal Power Tools, publication date unknown.

Primary Examiner—Alan P. Douglas

Assistant Examiner—J. H. Musgrove

Attorney, Agent, or Firm—Greer, Burns & Crain, Ltd.

[57] **CLAIM**

The ornamental design for a dual action sander, as shown and described.

DESCRIPTION

FIG. 1 is a perspective view of the dual action sander showing my new desing;

FIG. 2 is a left side view thereof;

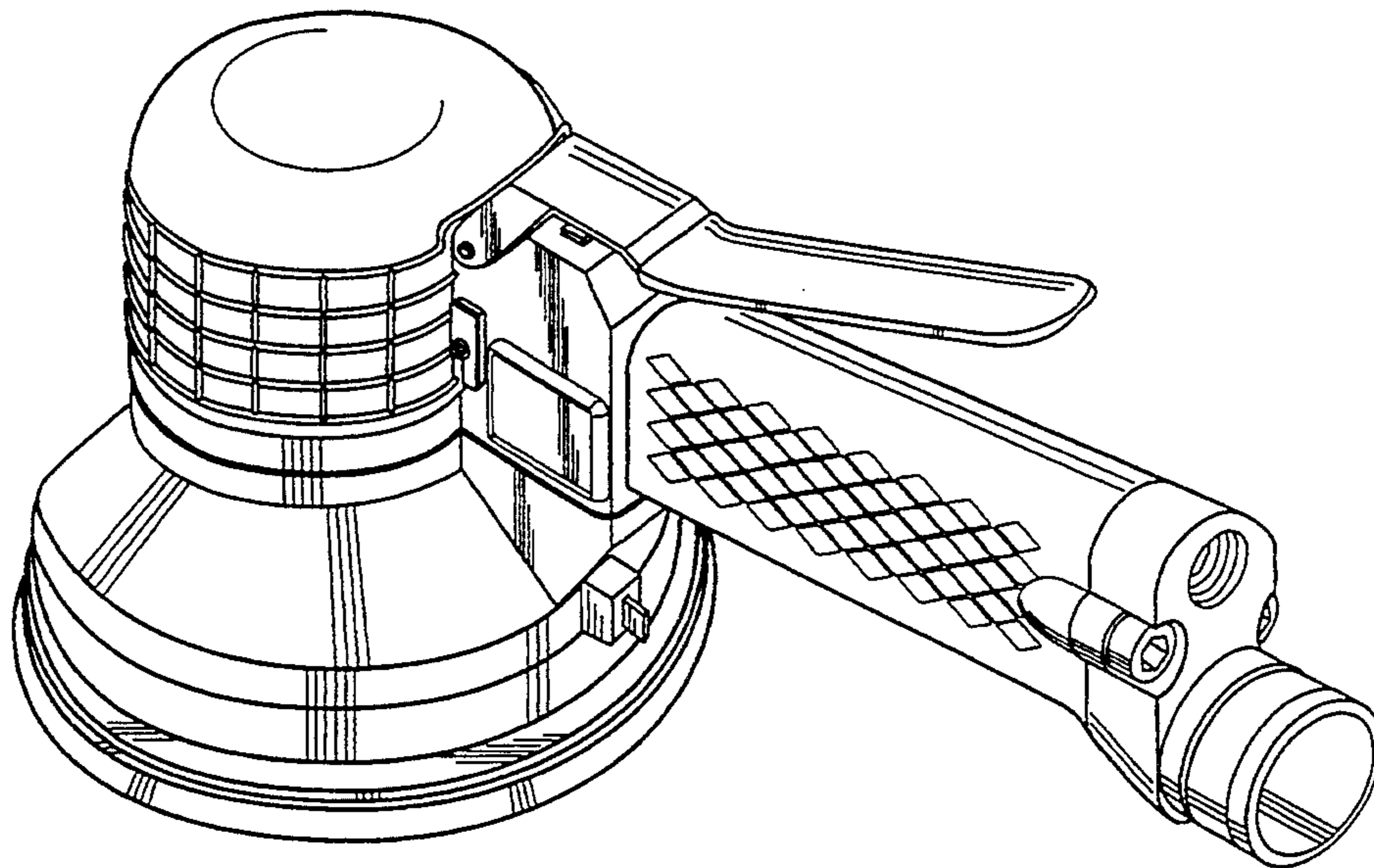
FIG. 3 is a top view thereof;

FIG. 4 is a right side view thereof;

FIG. 5 is a bottom view thereof;

FIG. 6 is a front view thereof; and,

FIG. 7 is a rear view thereof.



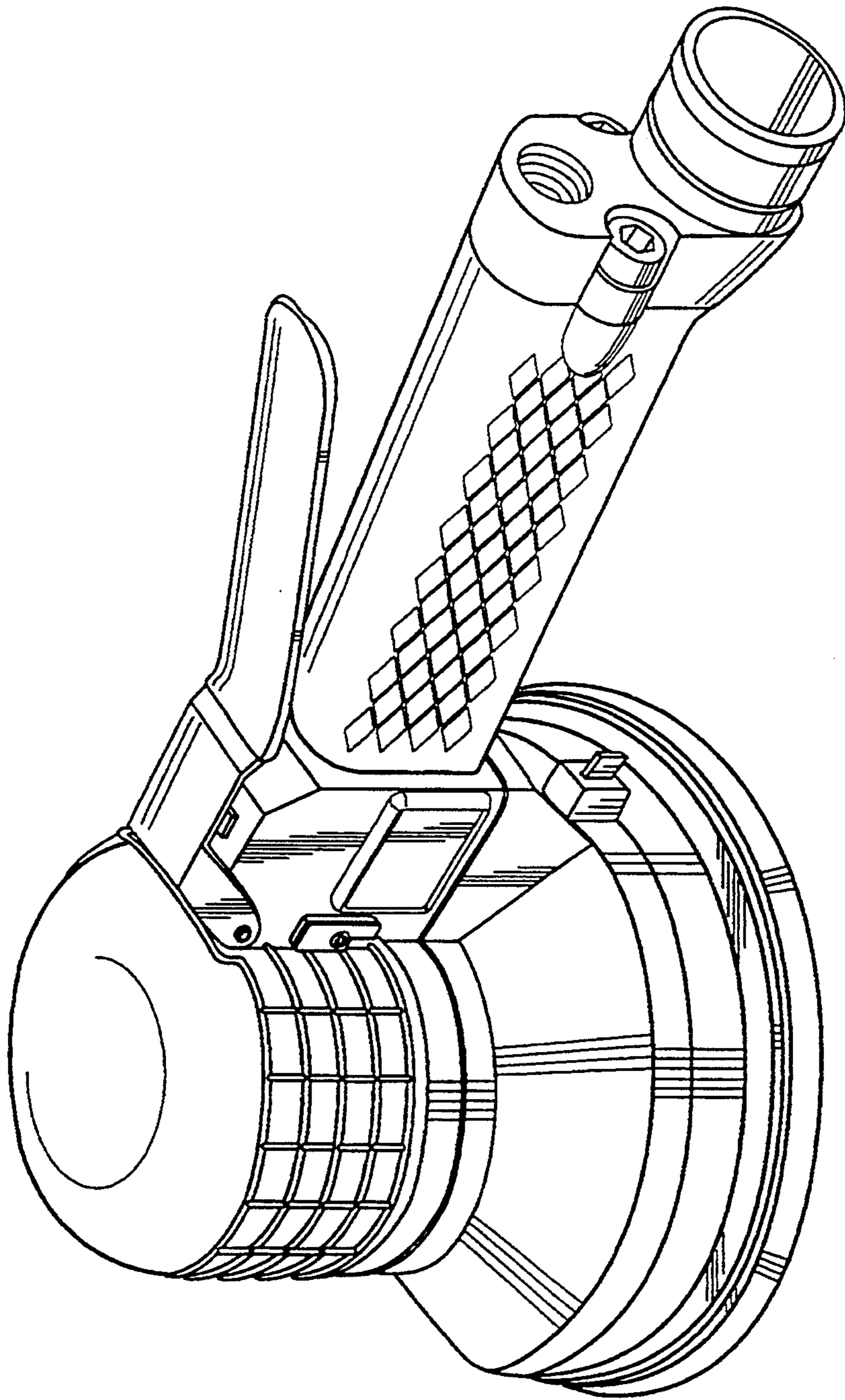
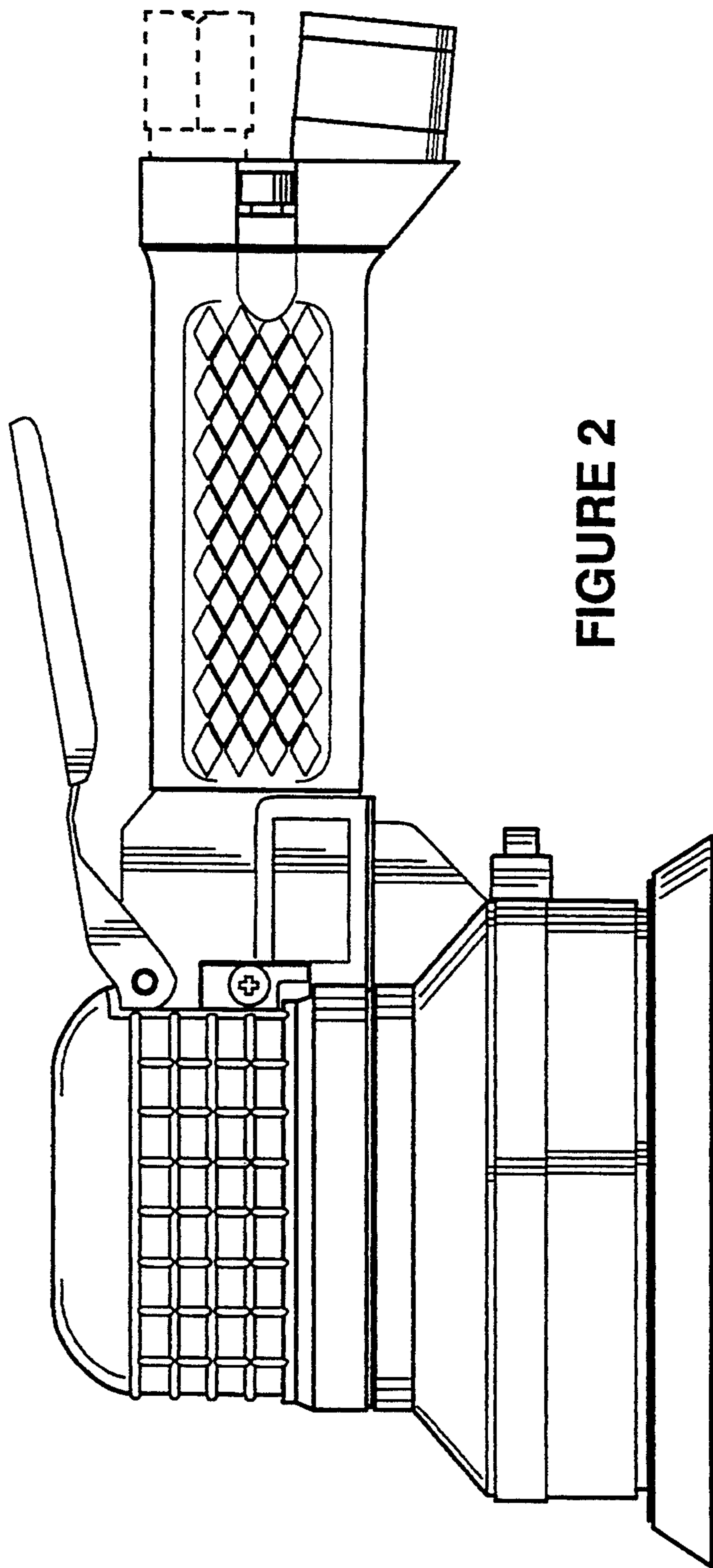


FIGURE 1



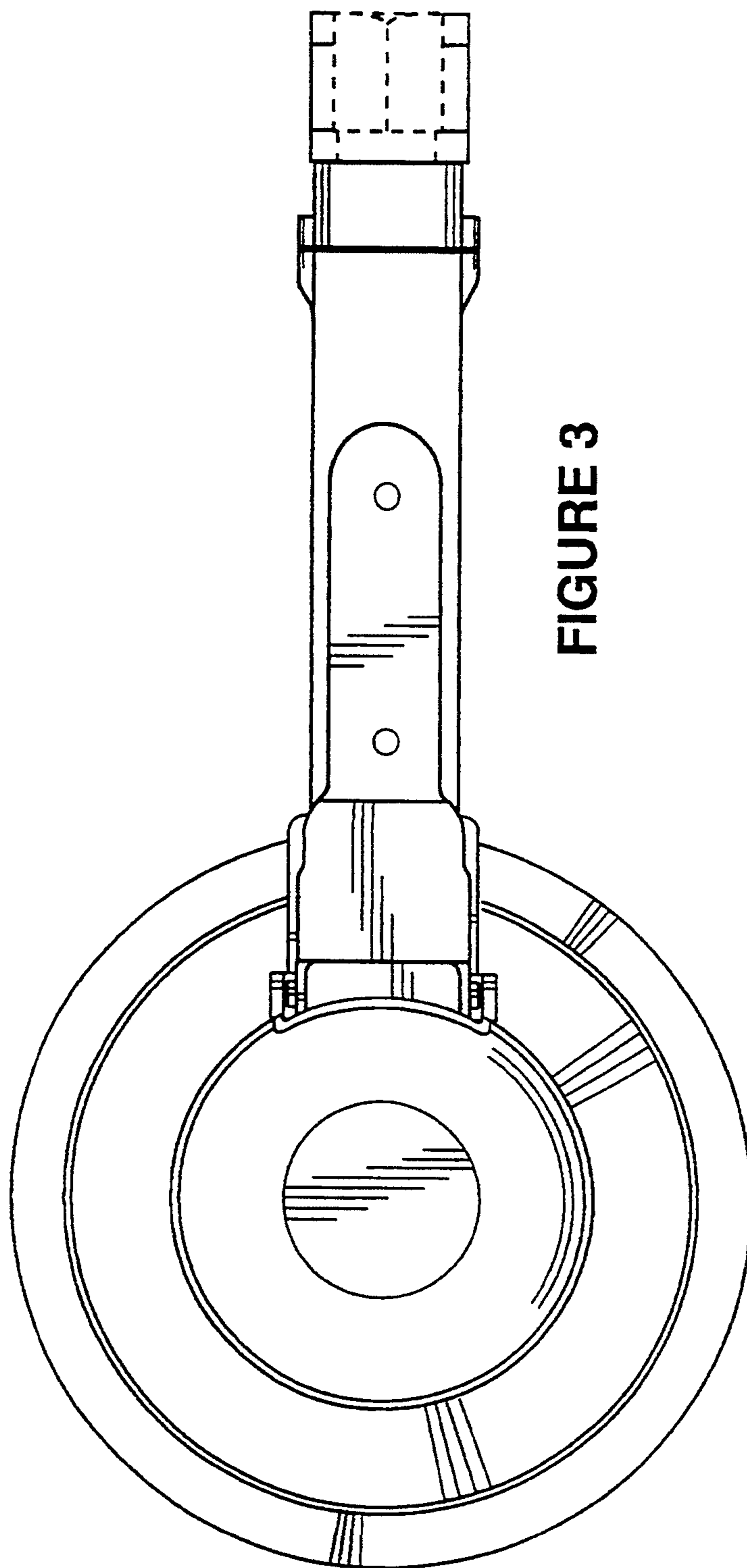


FIGURE 3

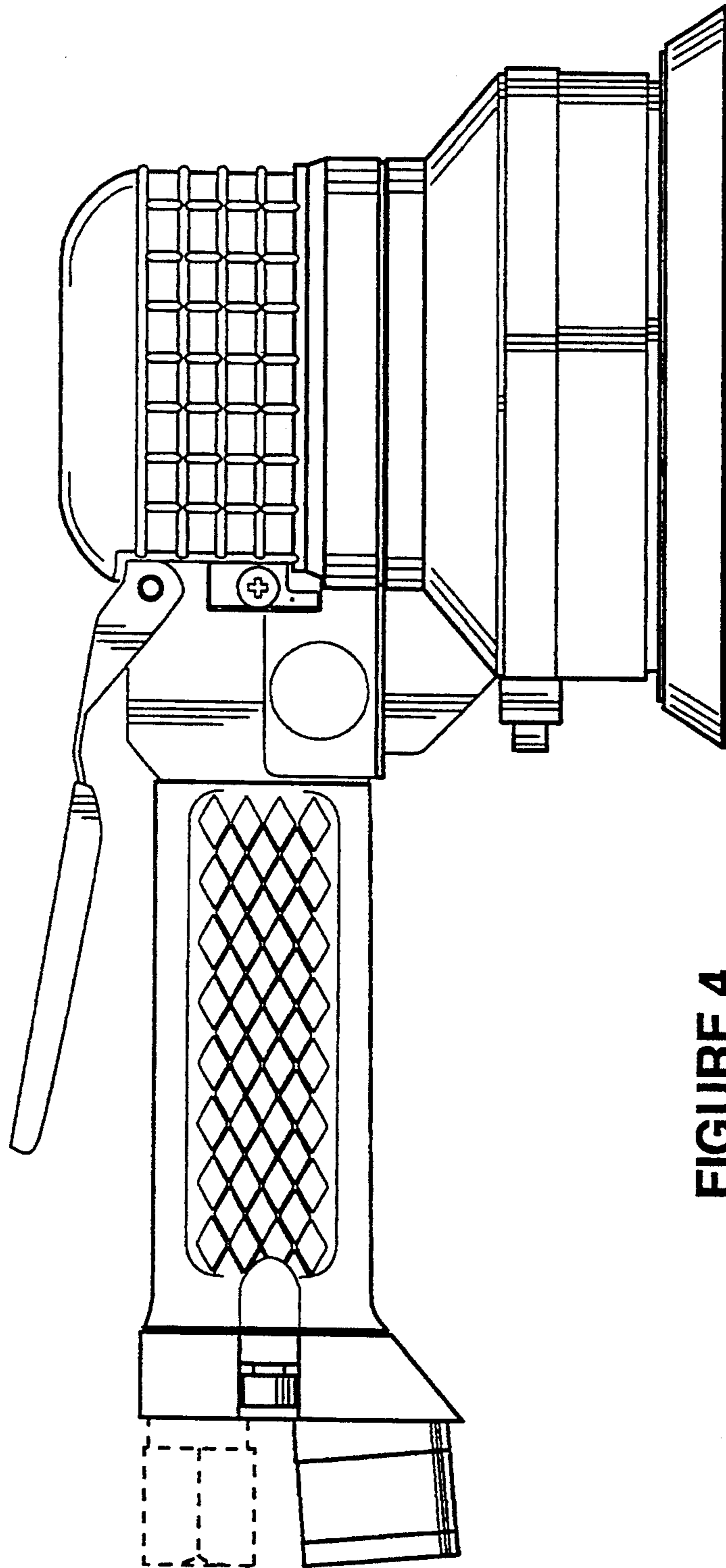


FIGURE 4

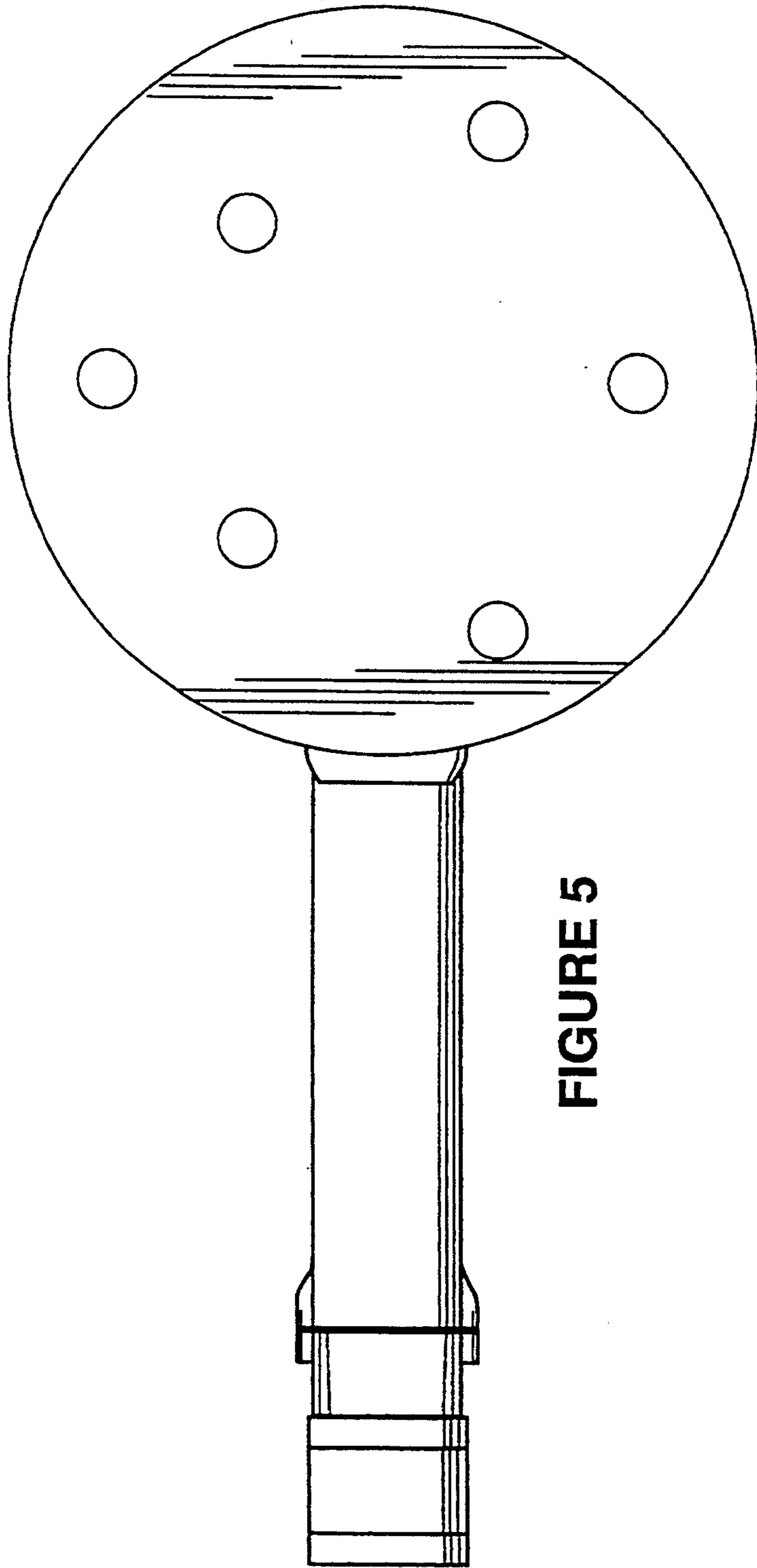


FIGURE 5

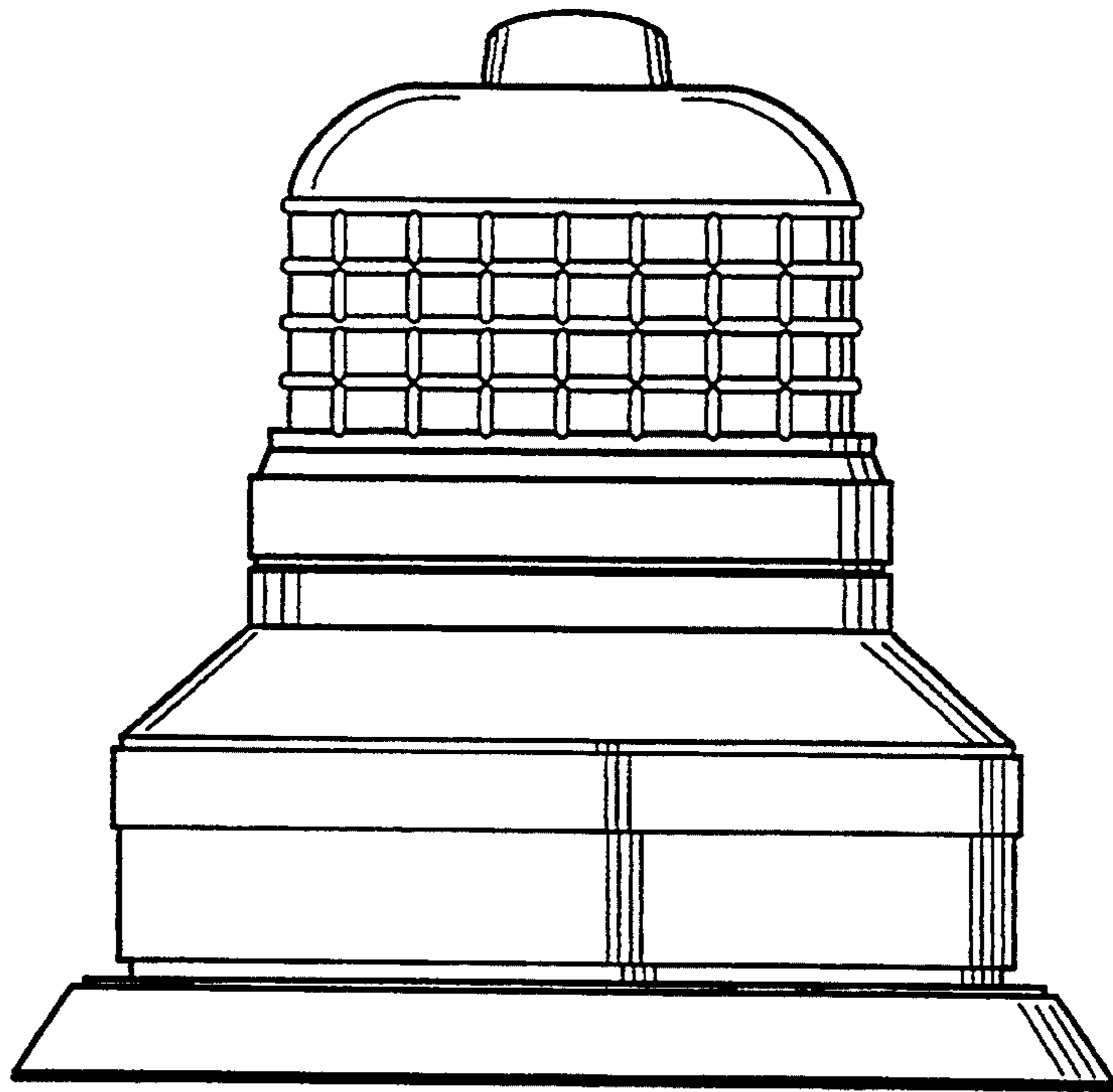


FIGURE 6

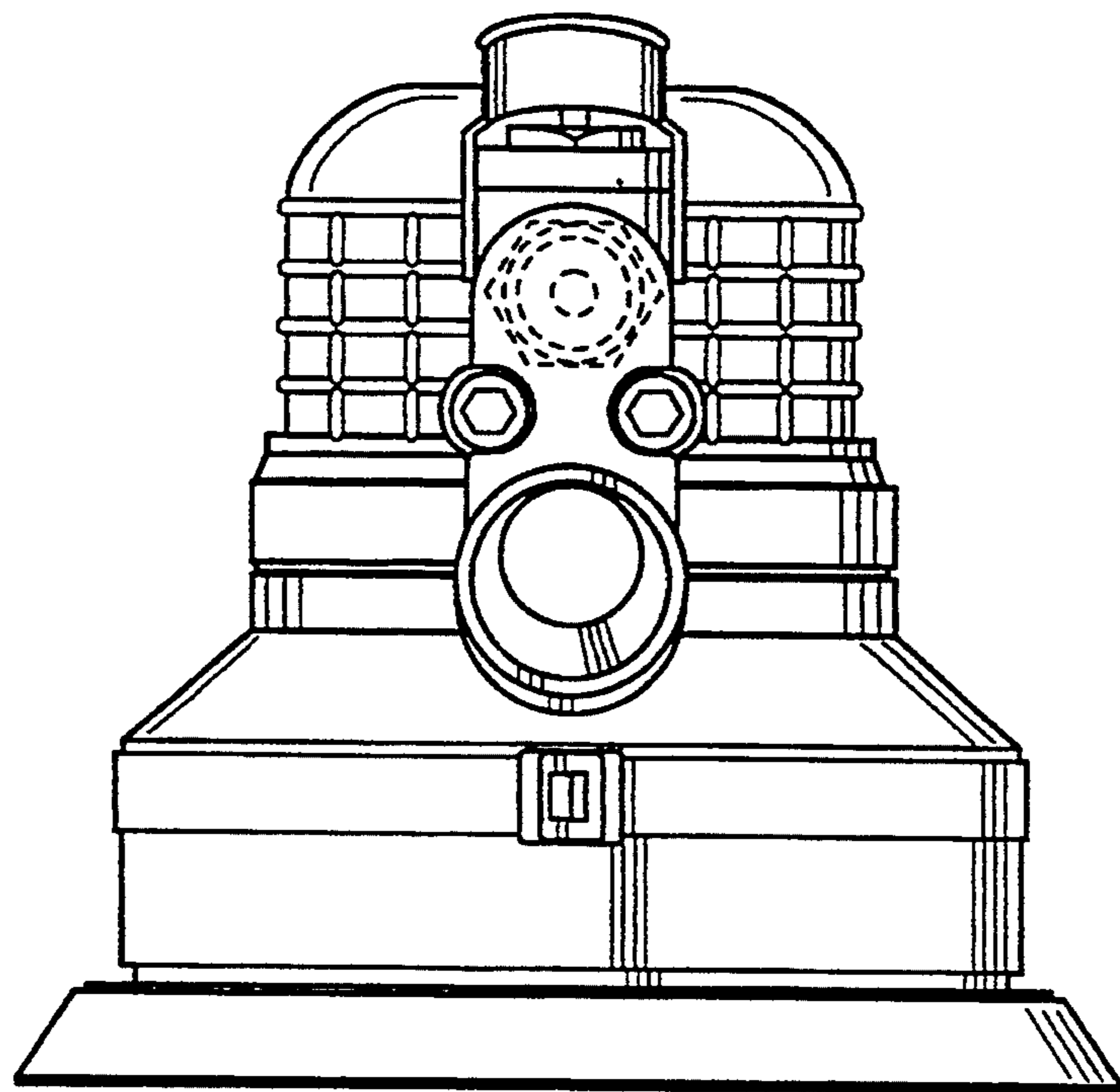


FIGURE 7

UNITED STATES PATENT AND TRADEMARK OFFICE
CERTIFICATE OF CORRECTION

PATENT NO. : Des. 353,310
DATED : December 13, 1994
INVENTOR(S) : Izumisawa

Page 1 of 5

It is certified that error appears in the above-identified patent and that said Letters Patent is hereby corrected as shown below:

In the drawings, sheets 2, 3, 4 and 6, consisting of Figs. 2, 3, 4, 6 and 7, should be deleted to be substituted with the corrected sheets of drawings as shown of the attached pages.

Signed and Sealed this
Eighteenth Day of April, 1995



BRUCE LEHMAN

Commissioner of Patents and Trademarks

Attest:

Attesting Officer

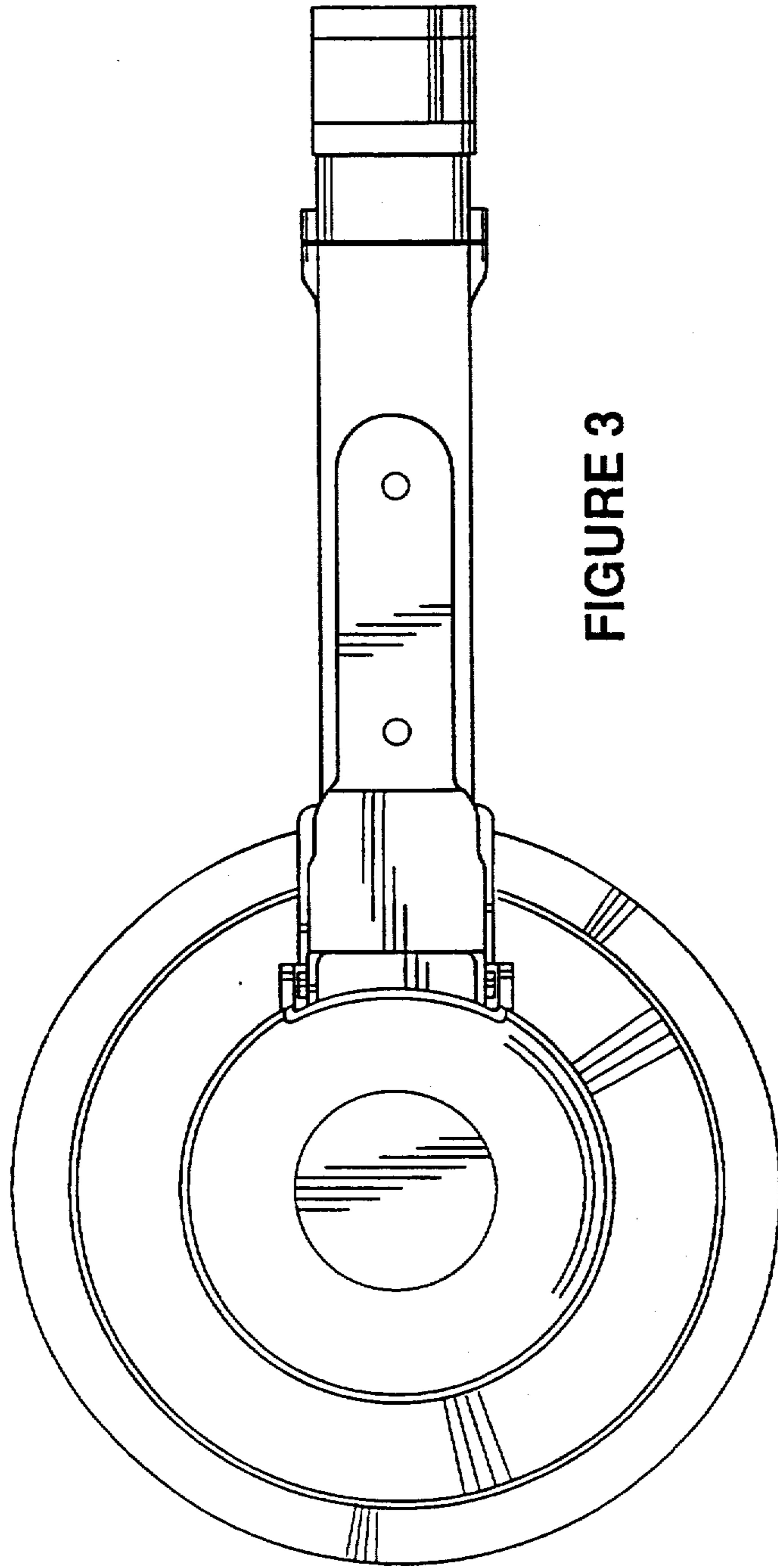


FIGURE 3

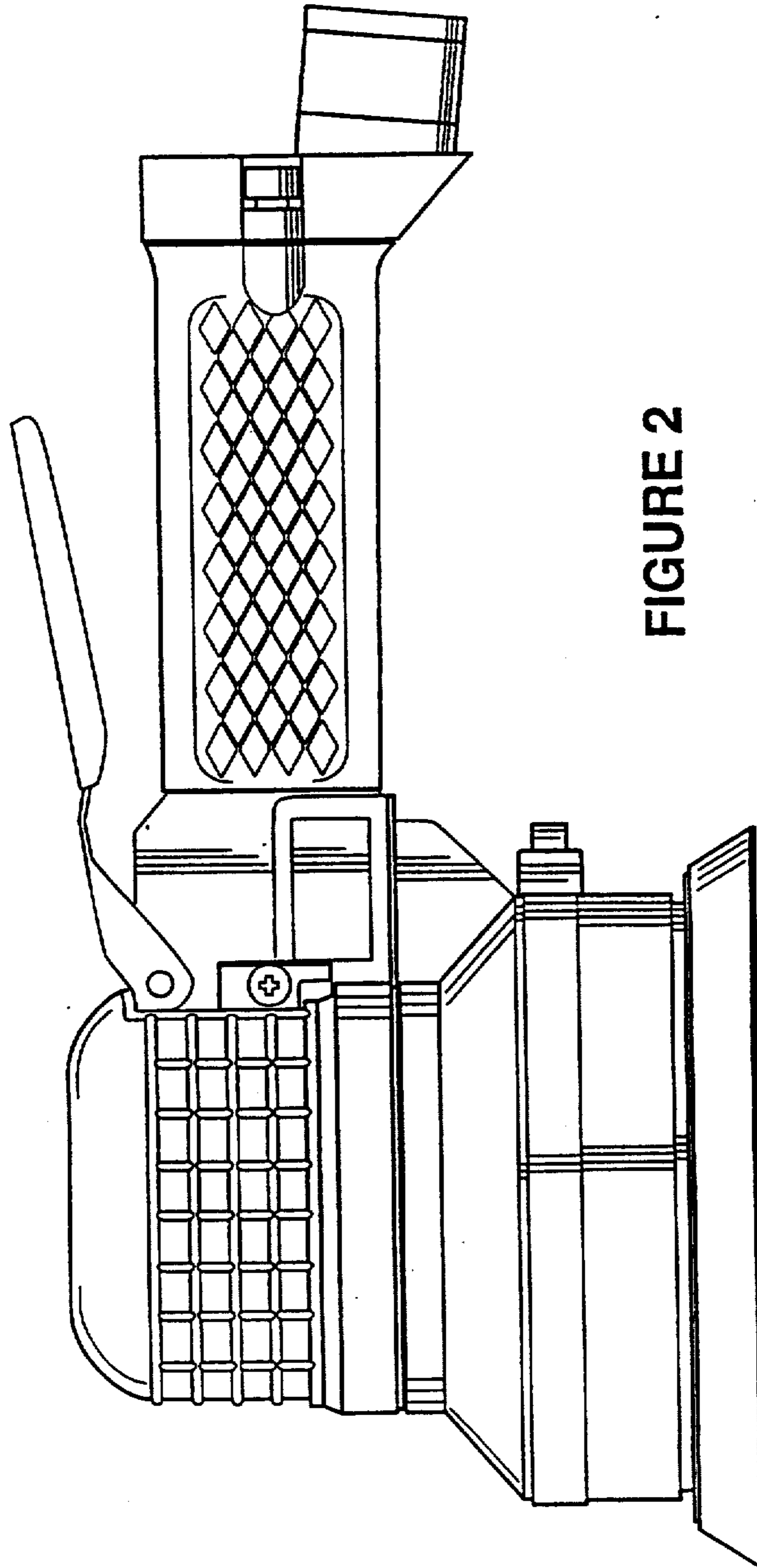


FIGURE 2

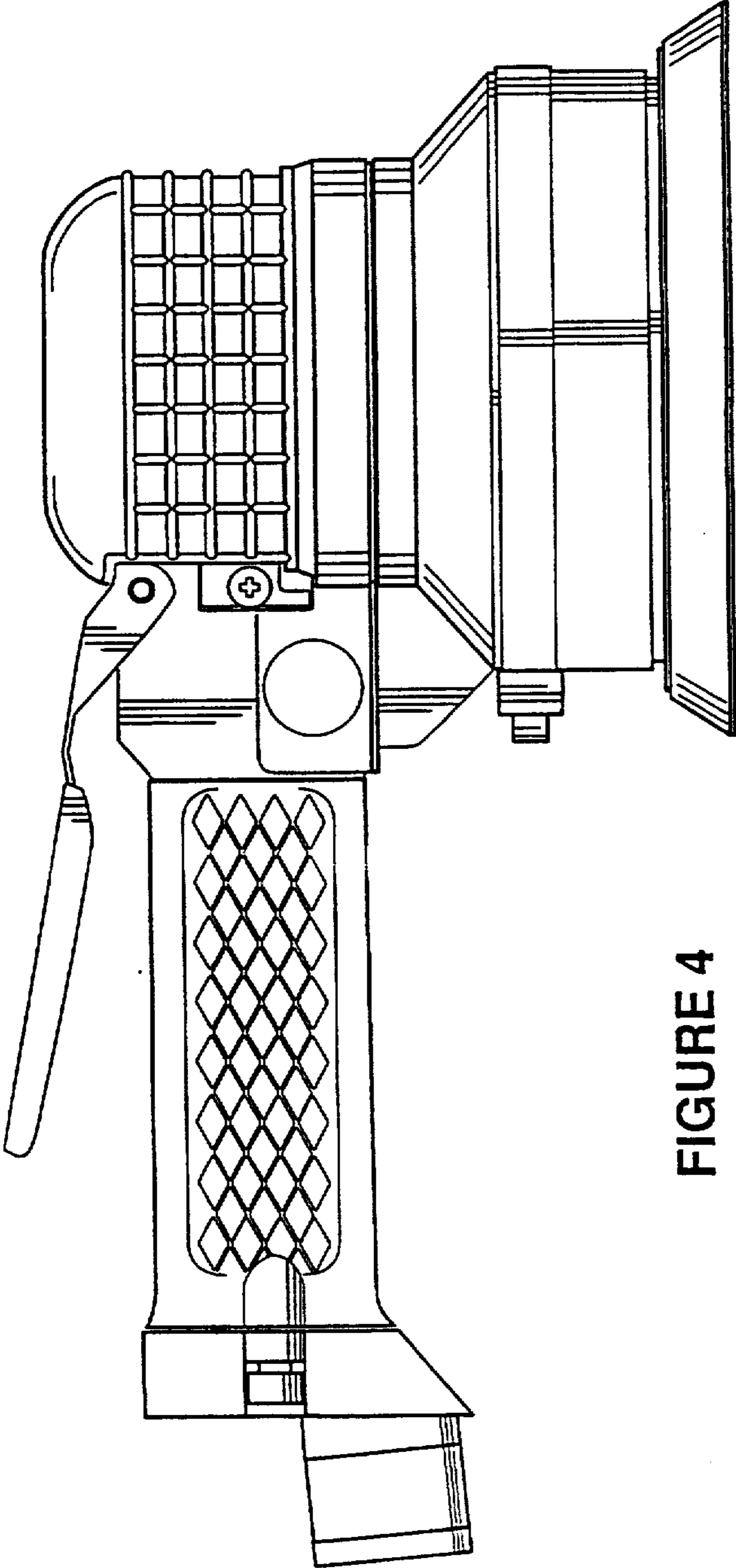


FIGURE 4

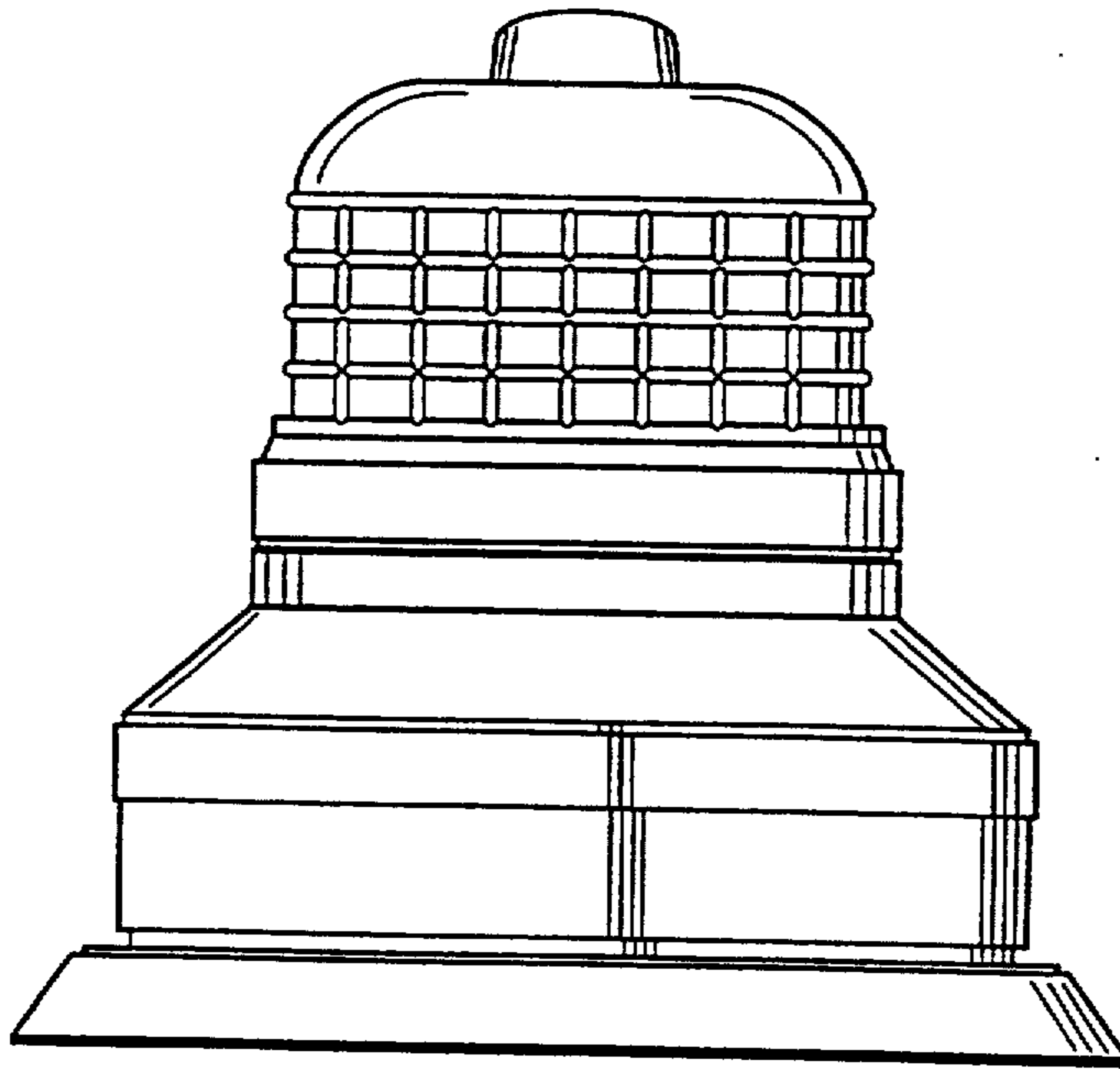


FIGURE 6

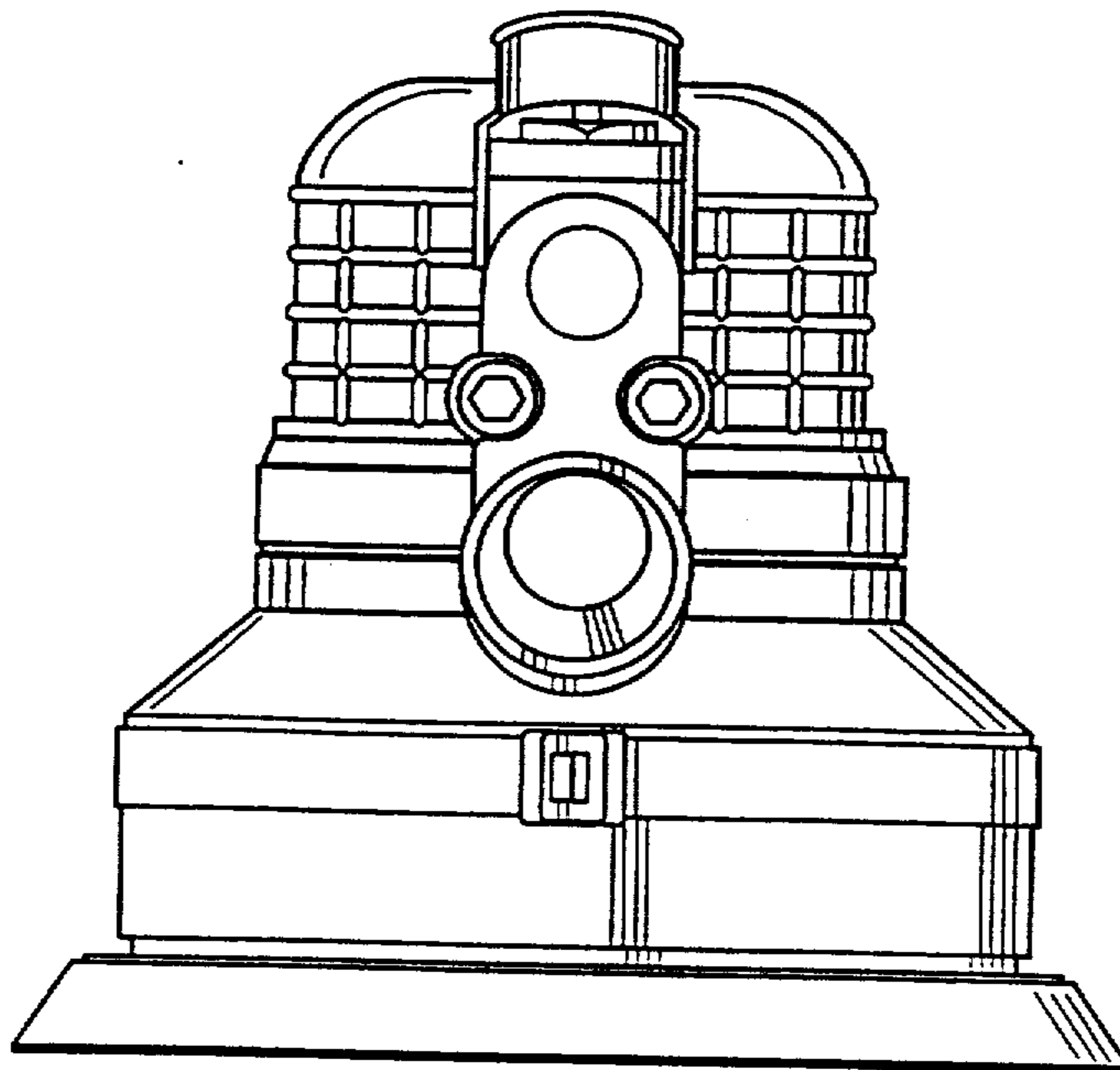


FIGURE 7