



US00D353309S

**United States Patent** [19]  
**Somers**

[11] **Patent Number: Des. 353,309**  
[45] **Date of Patent: \*\* Dec. 13, 1994**

[54] **SCREWDRIVER**  
[75] **Inventor: Robert I. Somers, Reisterstown, Md.**  
[73] **Assignee: Black & Decker Inc., Newark, Del.**  
[\*\*] **Term: 14 Years**  
[21] **Appl. No.: 10,654**  
[22] **Filed: Jul. 14, 1993**  
[52] **U.S. Cl. .... D8/61**  
[58] **Field of Search ..... D8/61, 68; D7/385;**  
**81/54, 57.11, 57.13; 173/170**

D. 297,104 8/1988 Svetlik .

*Primary Examiner*—Alan P. Douglas  
*Assistant Examiner*—J. H. Musgrove  
*Attorney, Agent, or Firm*—Dennis A. Dearing; John D. Del Ponti; Charles E. Yocum

[57] **CLAIM**

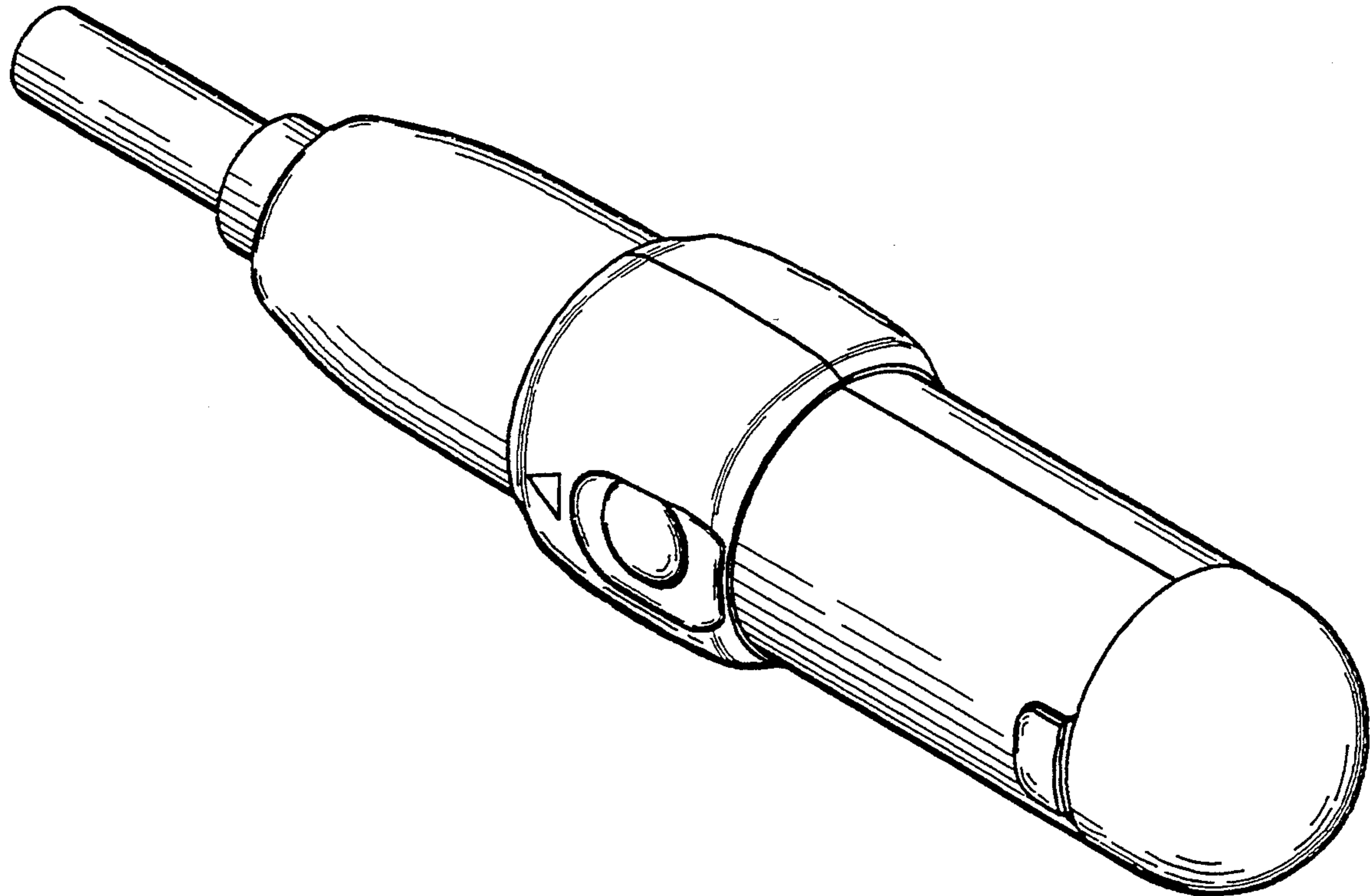
The ornamental design for a screwdriver, as shown and described.

**DESCRIPTION**

FIG. 1 is an isometric perspective view of a screwdriver showing my new design;  
FIG. 2 is a front elevational view thereof;  
FIG. 3 is a rear elevational view thereof;  
FIG. 4 is a top plan view thereof;  
FIG. 5 is a bottom plan view thereof;  
FIG. 6 is a left side elevational view thereof; and,  
FIG. 7 is a right side elevational view thereof.

[56] **References Cited**  
**U.S. PATENT DOCUMENTS**

D. 115,042	5/1939	Hedgpeth	.....	D8/61
D. 118,724	1/1940	Misuraca	.....	D8/61
D. 161,719	1/1951	Thomson	.....	D8/61
D. 187,496	3/1960	Hirata	.....	D8/61



*FIG. 1*

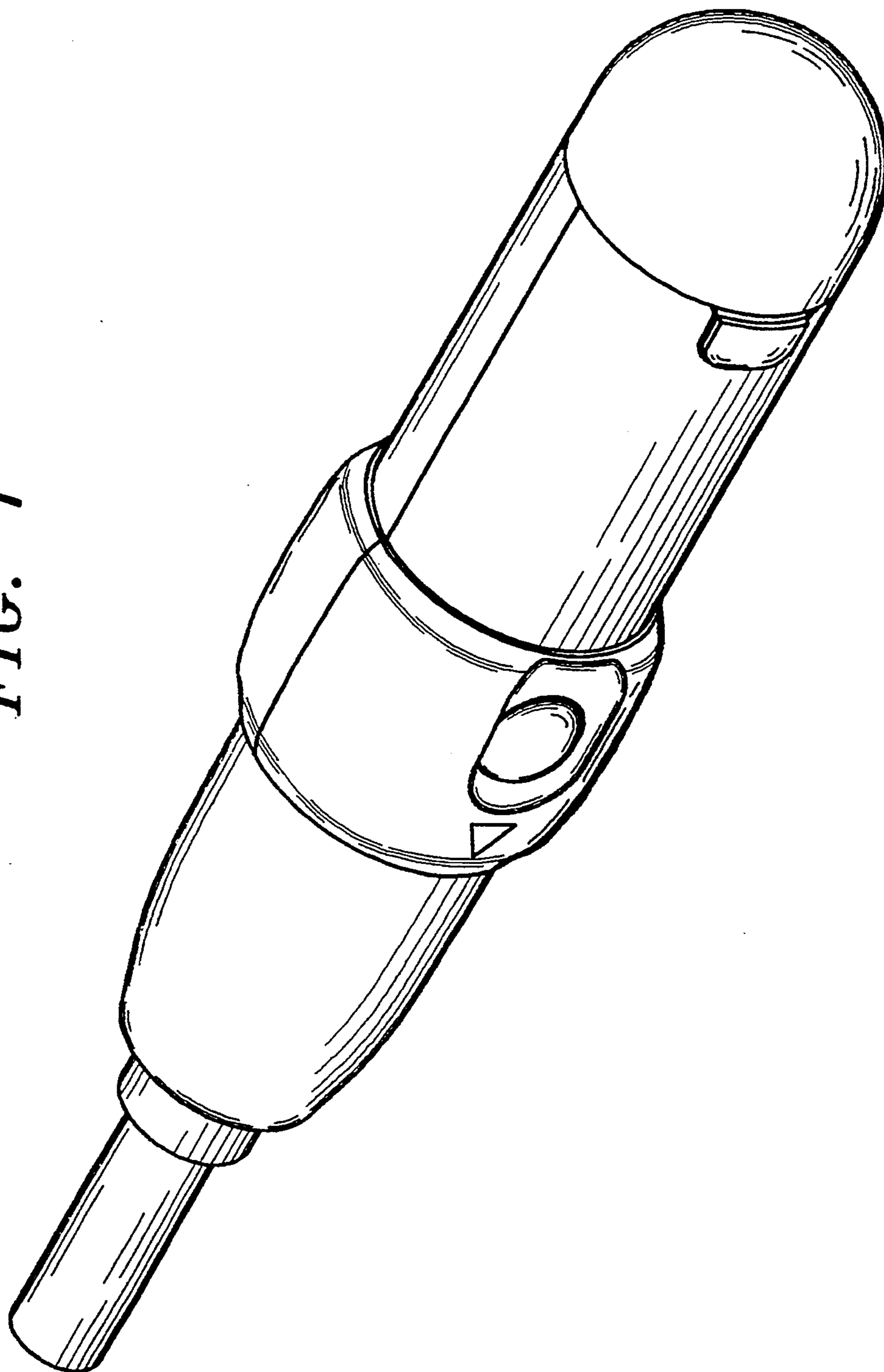


FIG. 2

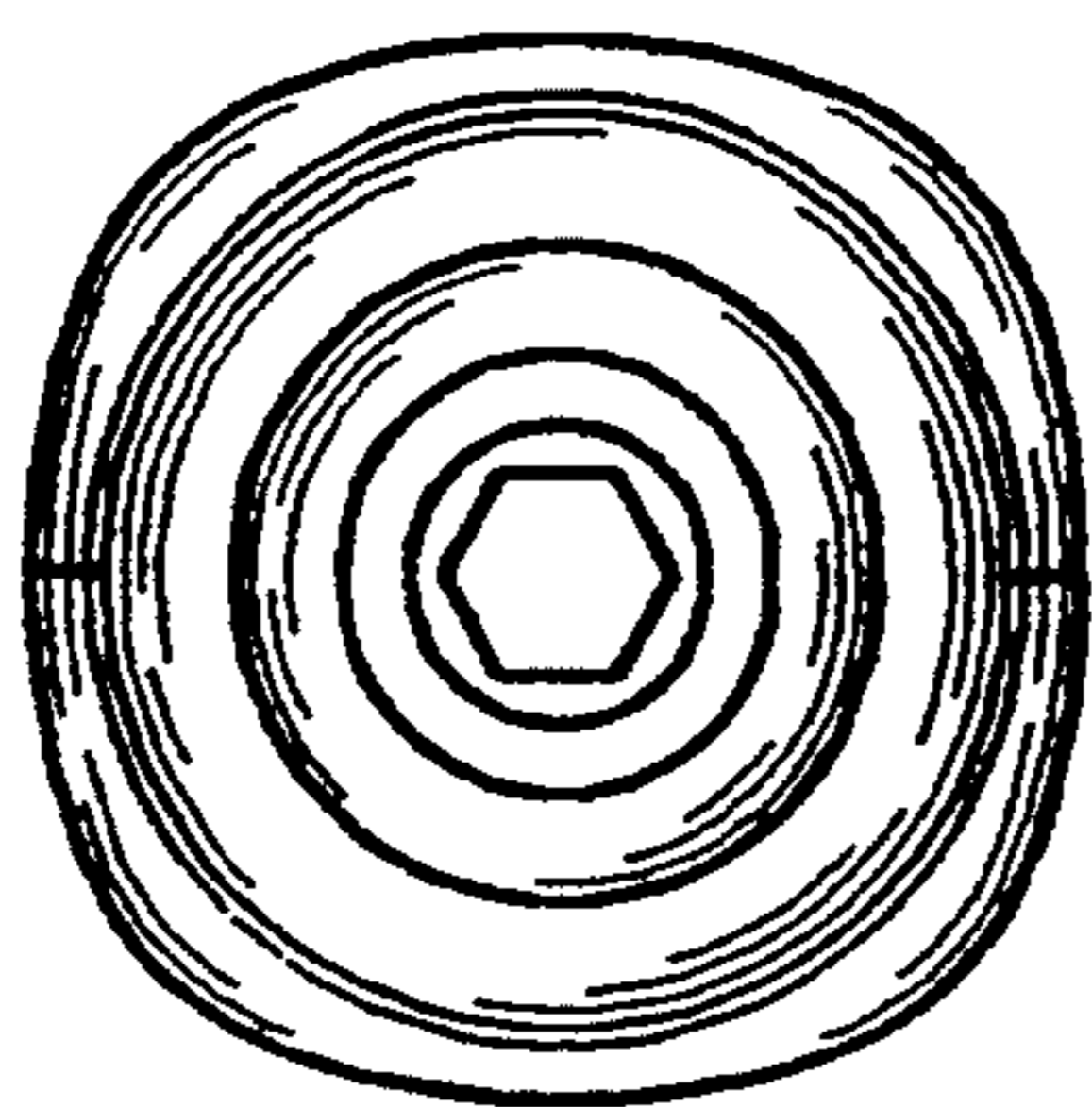


FIG. 4

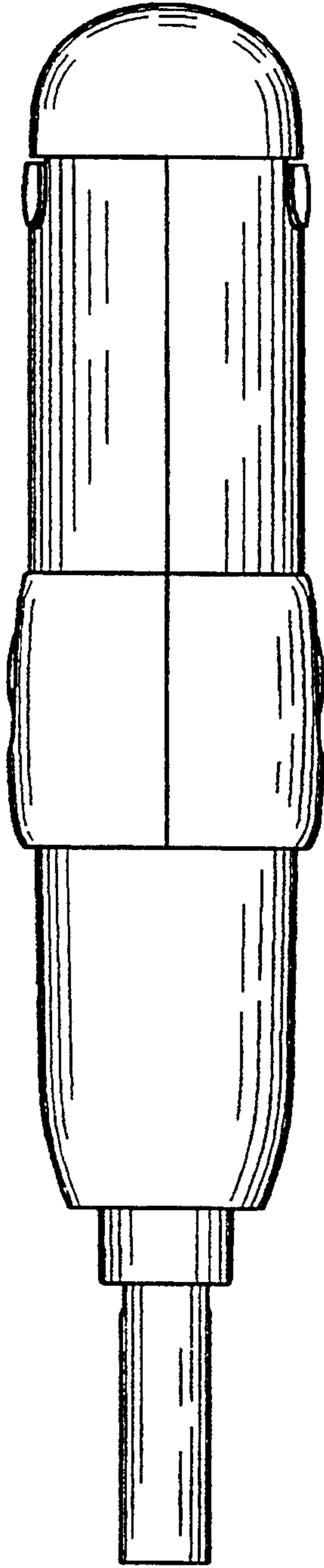


FIG. 3

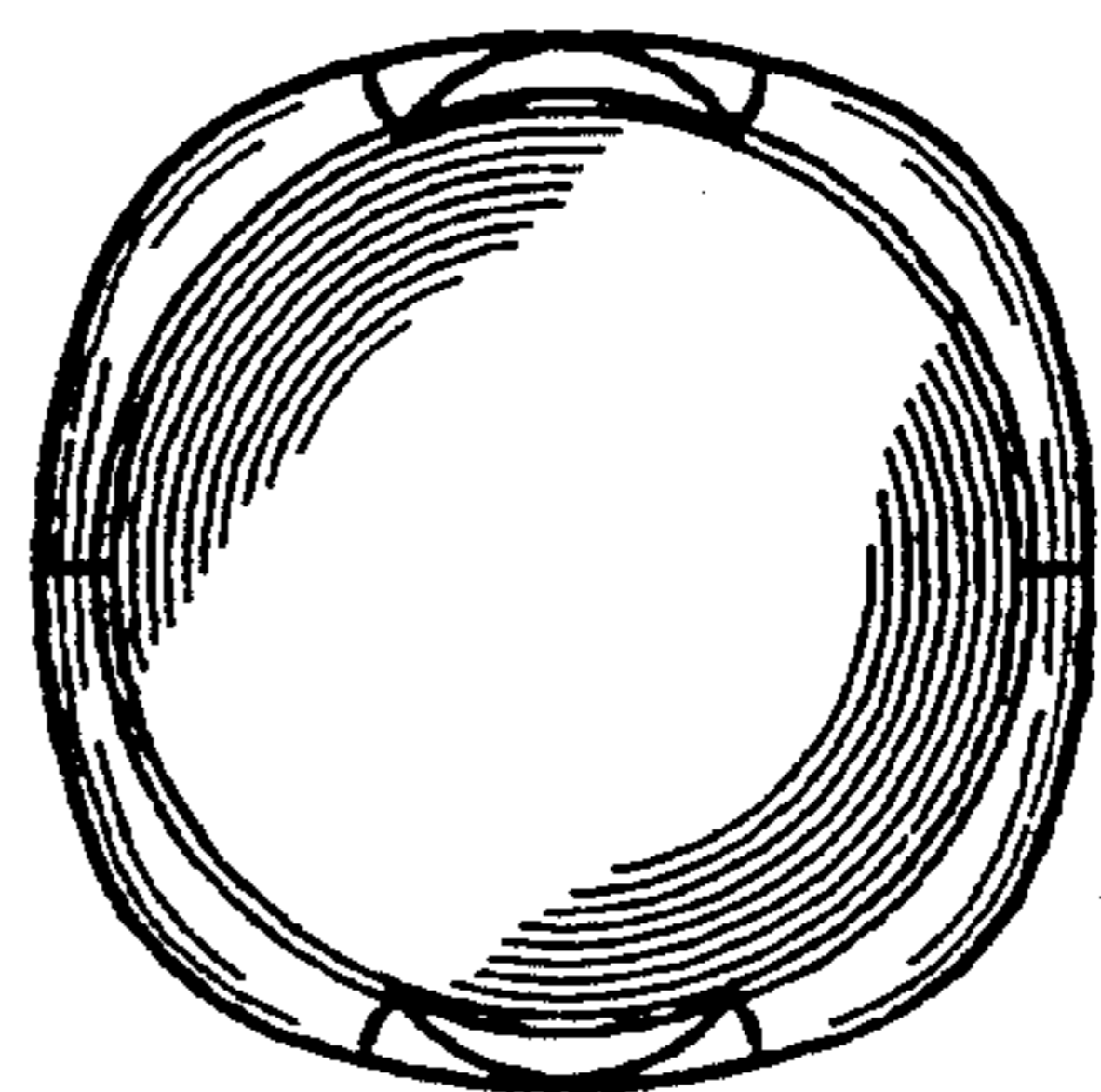


FIG. 5

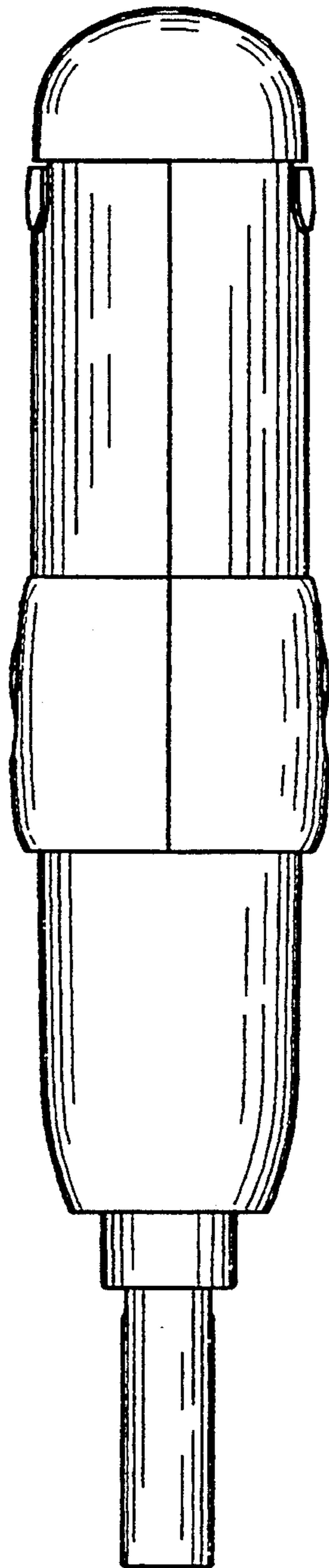


FIG. 6

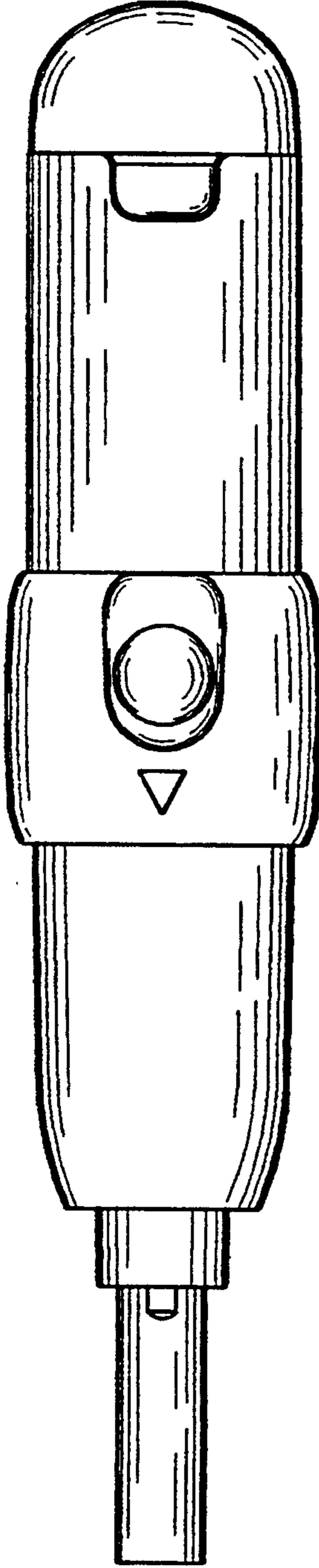


FIG. 7

