



US00D353304S

United States Patent [19]

[11] Patent Number: **Des. 353,304**

Friedrich

[45] Date of Patent: **** Dec. 13, 1994**

[54] **ROLLING ICE CHEST**

4,873,841 10/1989 Bradshaw .

5,259,215 11/1993 Rocca 62/457.7 X

[76] Inventor: **Dennis L. Friedrich**, 406 N. Griffith Park Dr., Burbank, Calif. 91506

Primary Examiner—Terry A. Wallace
Attorney, Agent, or Firm—Terry M. Gernstein

[**] Term: **14 Years**

[57] **CLAIM**

[21] Appl. No.: **12,262**

The ornamental design for a rolling ice chest, as shown and described.

[22] Filed: **Aug. 30, 1993**

[52] U.S. Cl. **D7/605**

DESCRIPTION

[58] Field of Search **D7/605-608;**
62/457.1, 457.5, 457.7, 372; 206/541, 545;
220/412; D34/12, 14, 24

FIG. 1 is a front, top and side perspective view of the rolling ice chest embodying the design of the present invention;

FIG. 2 is a front elevational view thereof;

FIG. 3 is a rear elevational view thereof;

FIG. 4 is a side elevational view thereof, the side opposite being a mirror image of the side shown in FIG. 4;

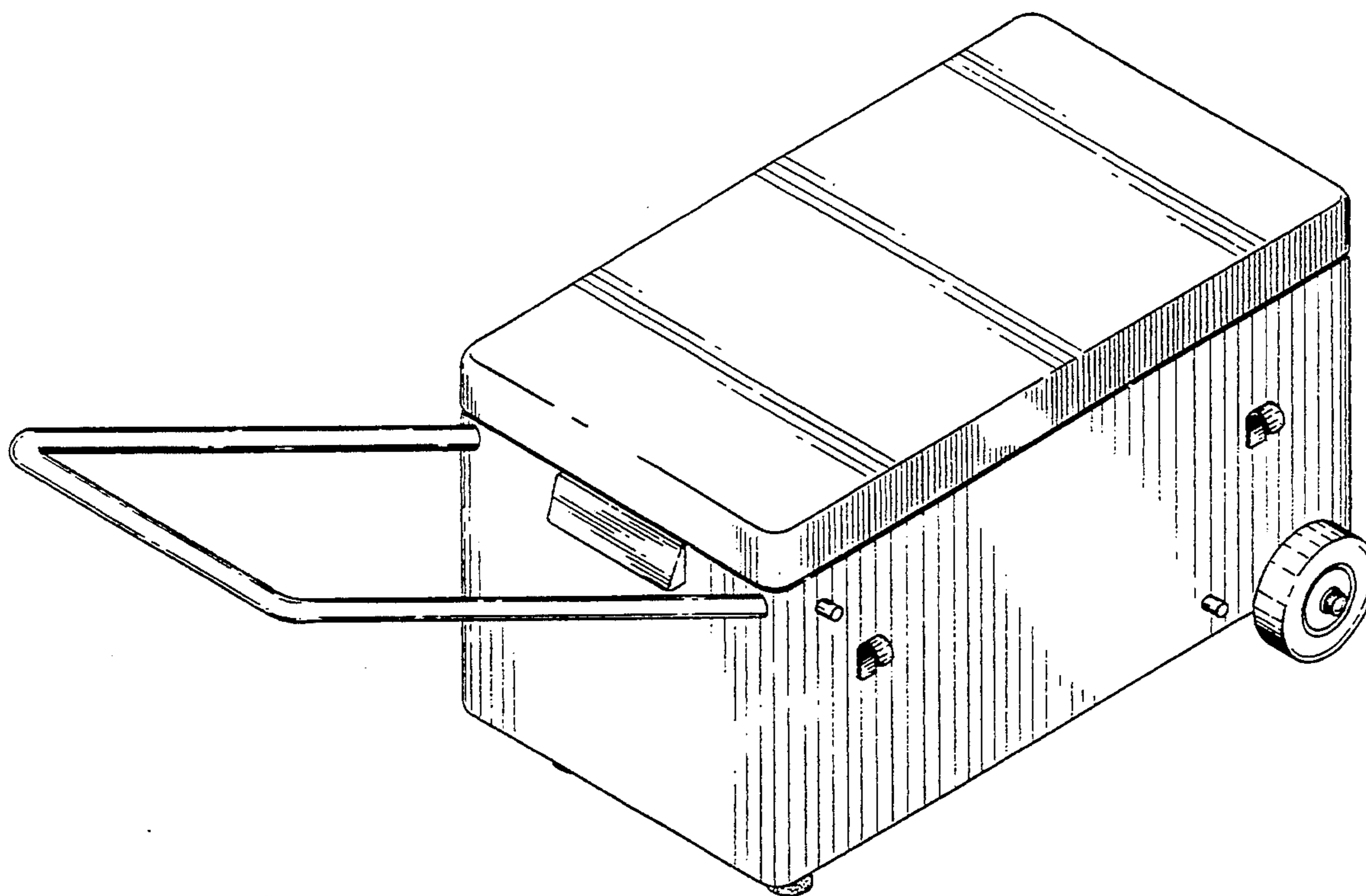
FIG. 5 is a top plan view thereof; and,

FIG. 6 is a bottom plan view thereof.

[56] **References Cited**

U.S. PATENT DOCUMENTS

- D. 328,689 8/1992 Riskowski D7/605
- 3,591,194 7/1971 Vega .
- 4,724,681 2/1988 Bartholomew .



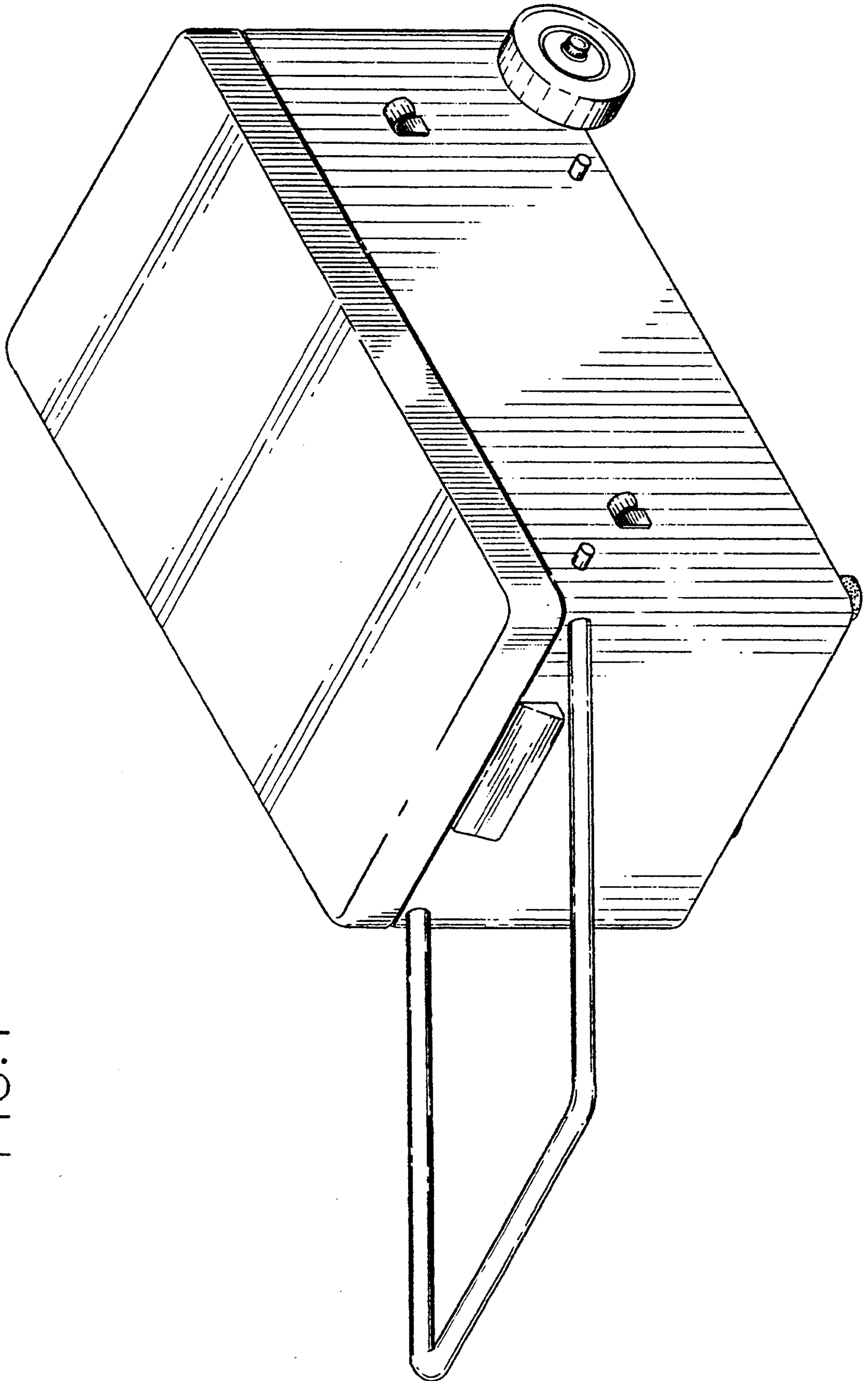


FIG. 1

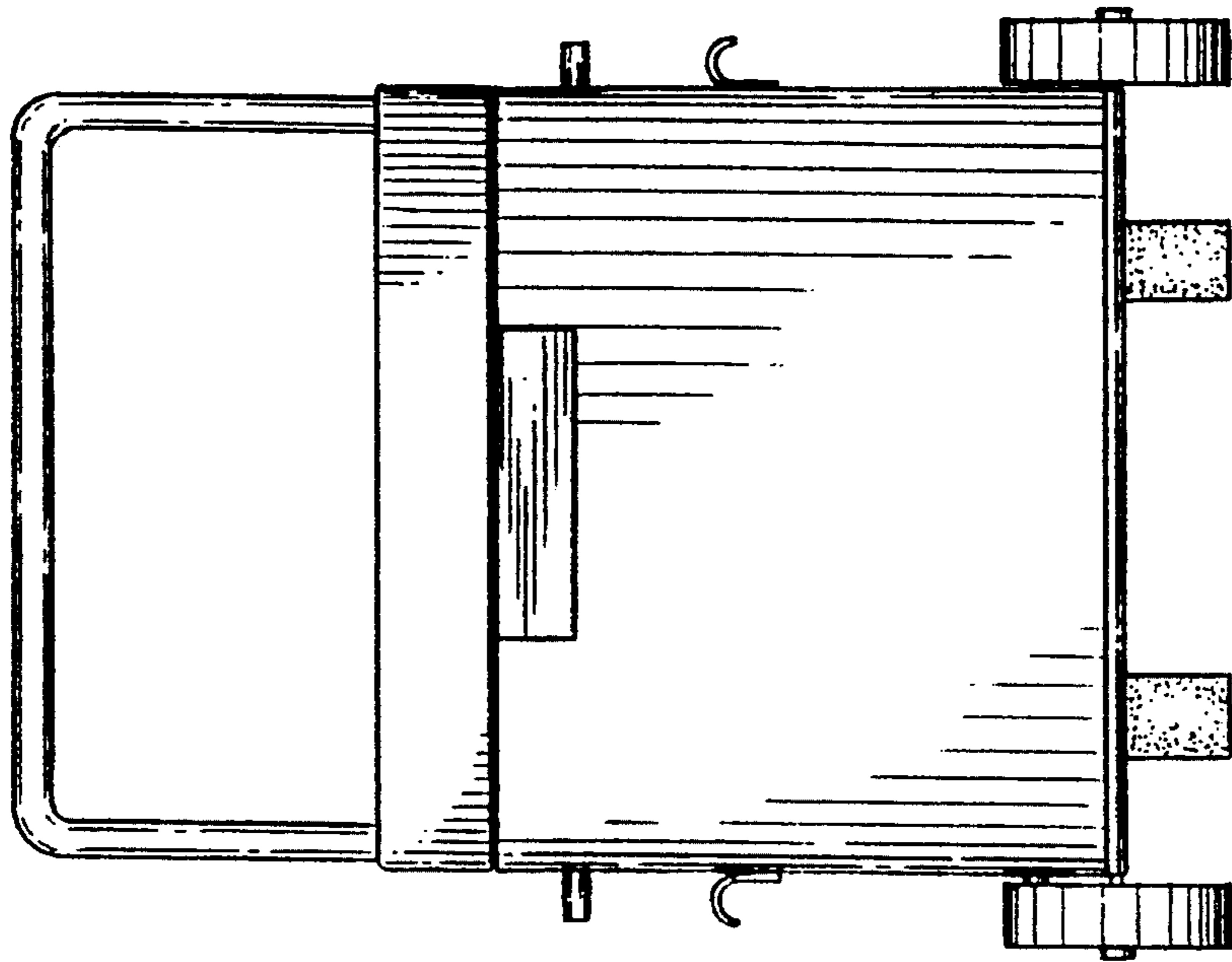


FIG. 3

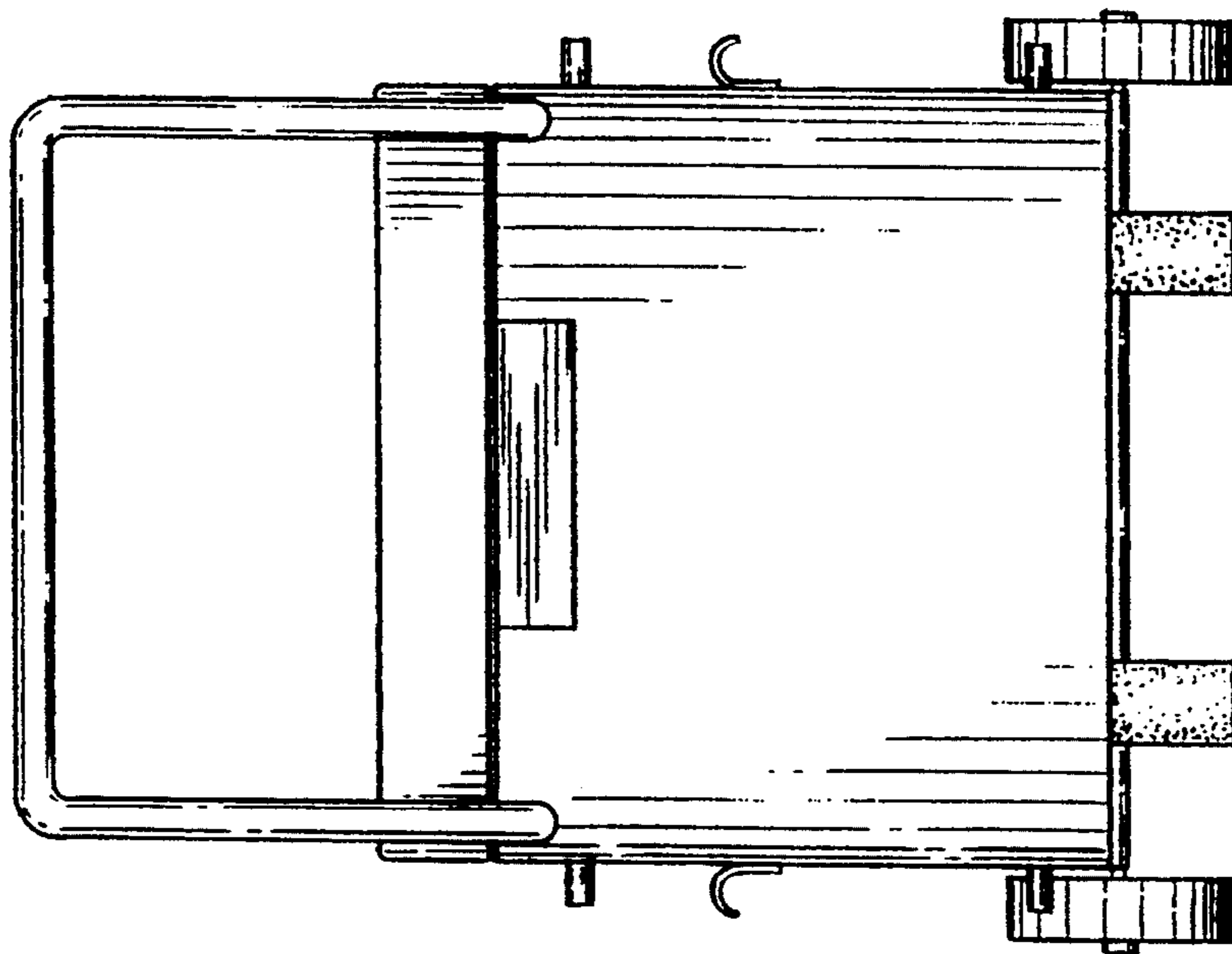


FIG. 2

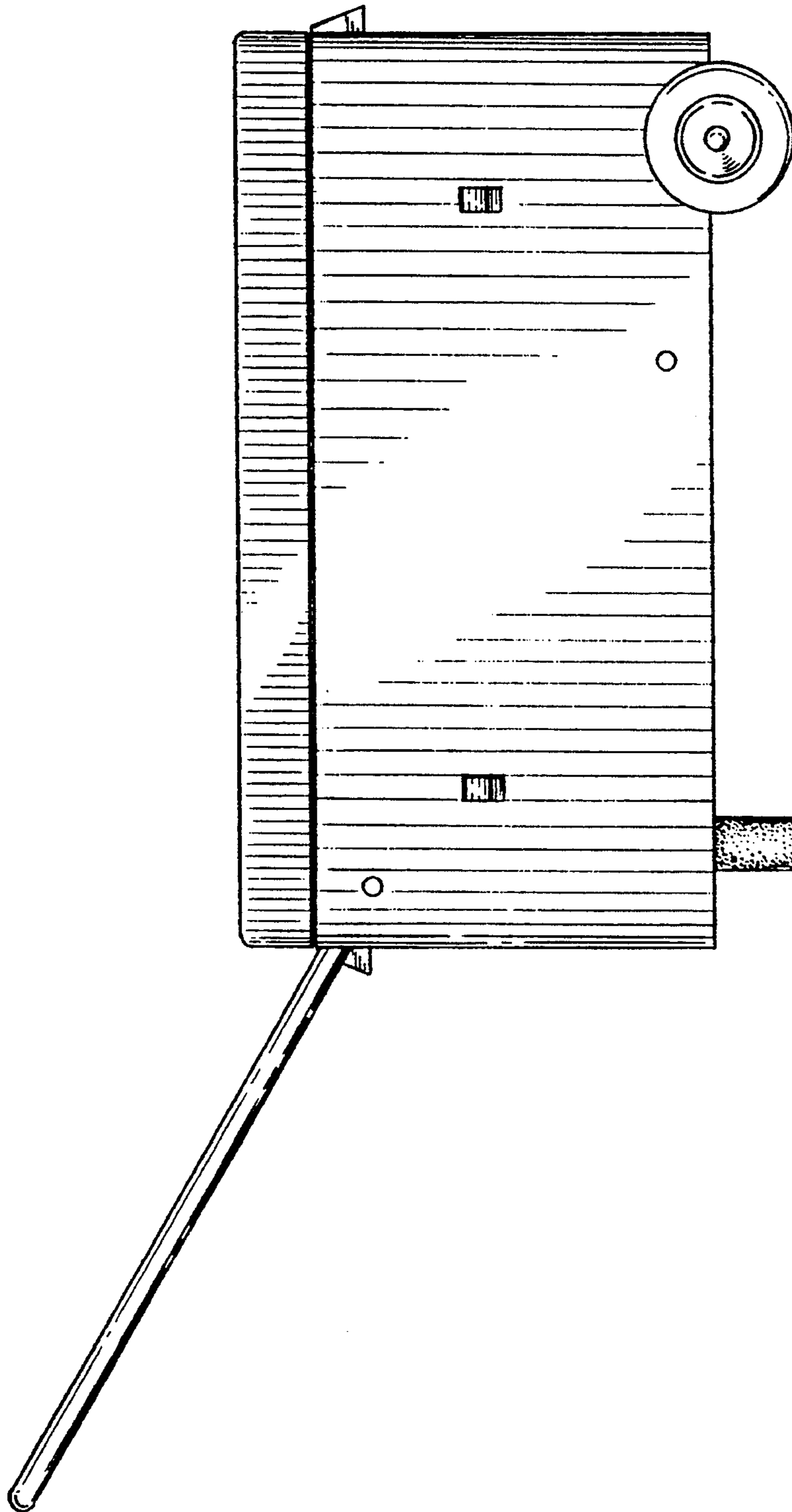


FIG. 4

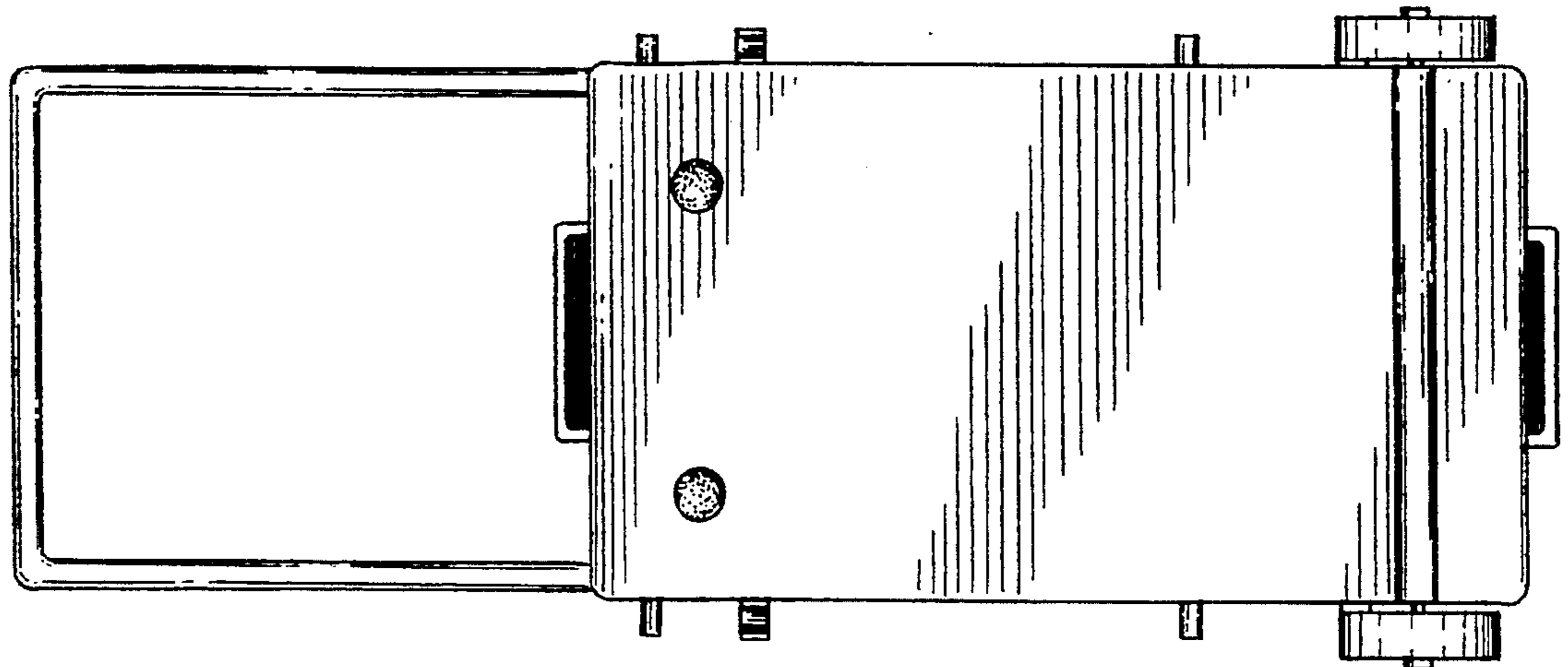


FIG. 6

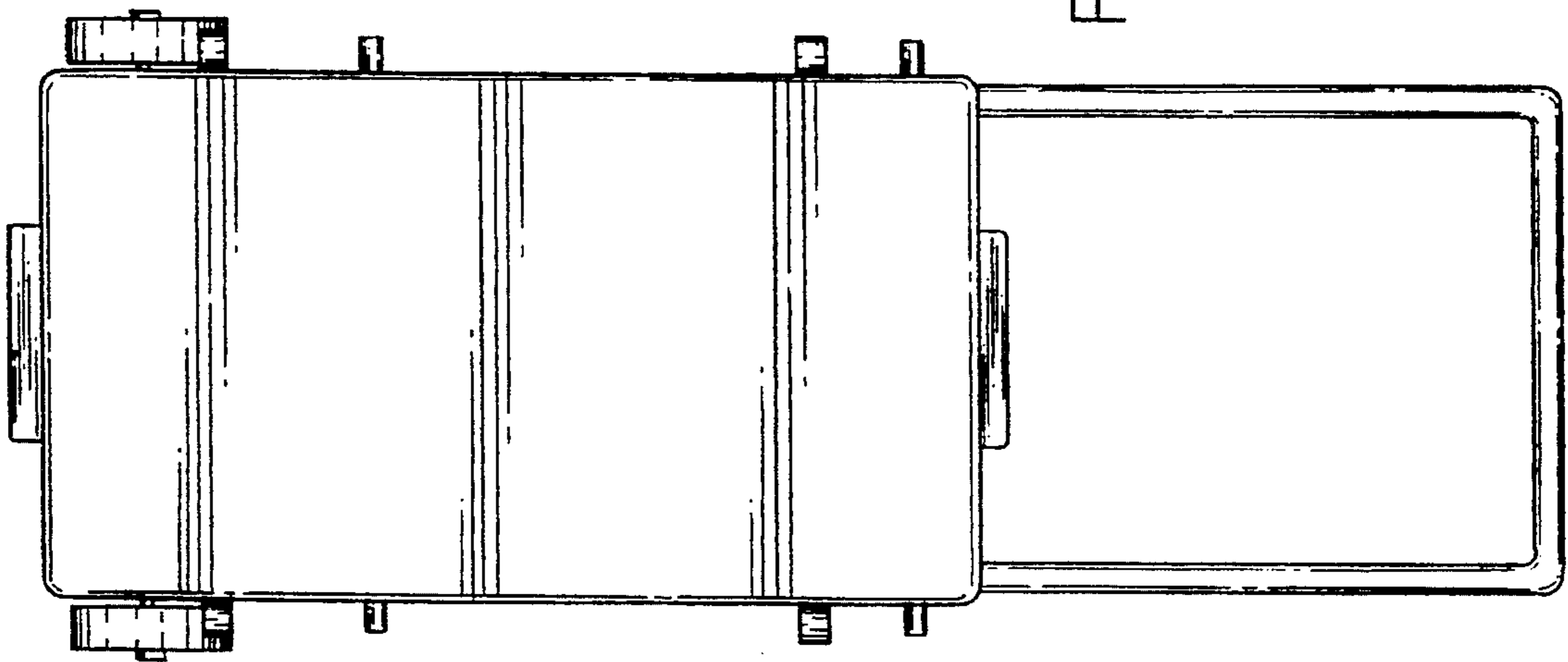


FIG. 5