



US00D353302S

United States Patent [19]

[11] Patent Number: **Des. 353,302**

Fish

[45] Date of Patent: **** Dec. 13, 1994**

[54] TACO PLATE

[76] Inventor: **Ronald P. Fish**, 6400 SE. 57th,
Oklahoma City, Okla. 73135

[**] Term: **14 Years**

[21] Appl. No.: **10,077**

[22] Filed: **Jun. 29, 1993**

[52] U.S. Cl. **D7/504; D7/553;**
D7/555

[58] Field of Search **D7/504, 550, 553-554,**
D7/555-557; D9/341; 206/562-564; 211/10,
11, 13, 71; 220/23.8, 500, 507, 512; 229/2.5 R,
904

[56] **References Cited**

U.S. PATENT DOCUMENTS

- D. 215,823 11/1969 Bridgford D7/554 X
- D. 264,668 6/1982 Golubski et al. D7/21
- D. 266,816 11/1982 Schupp D7/27
- D. 270,130 8/1983 Fox D7/554

- D. 293,994 2/1988 Conrady et al. D7/27
- D. 297,797 9/1988 Roberts D7/21
- D. 328,406 8/1992 Hammond et al. D7/504
- D. 336,406 6/1993 Wytiuk D7/553 X

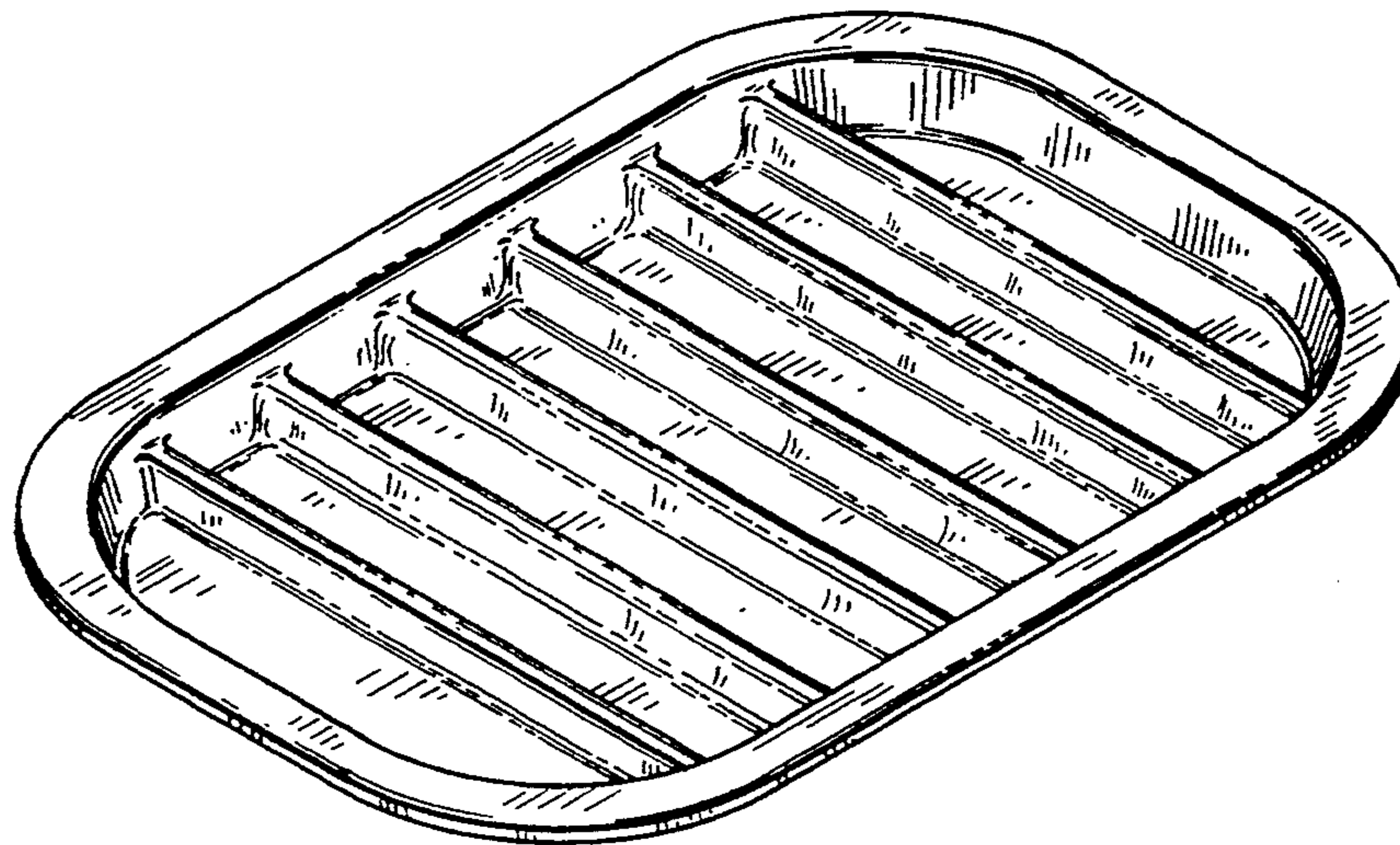
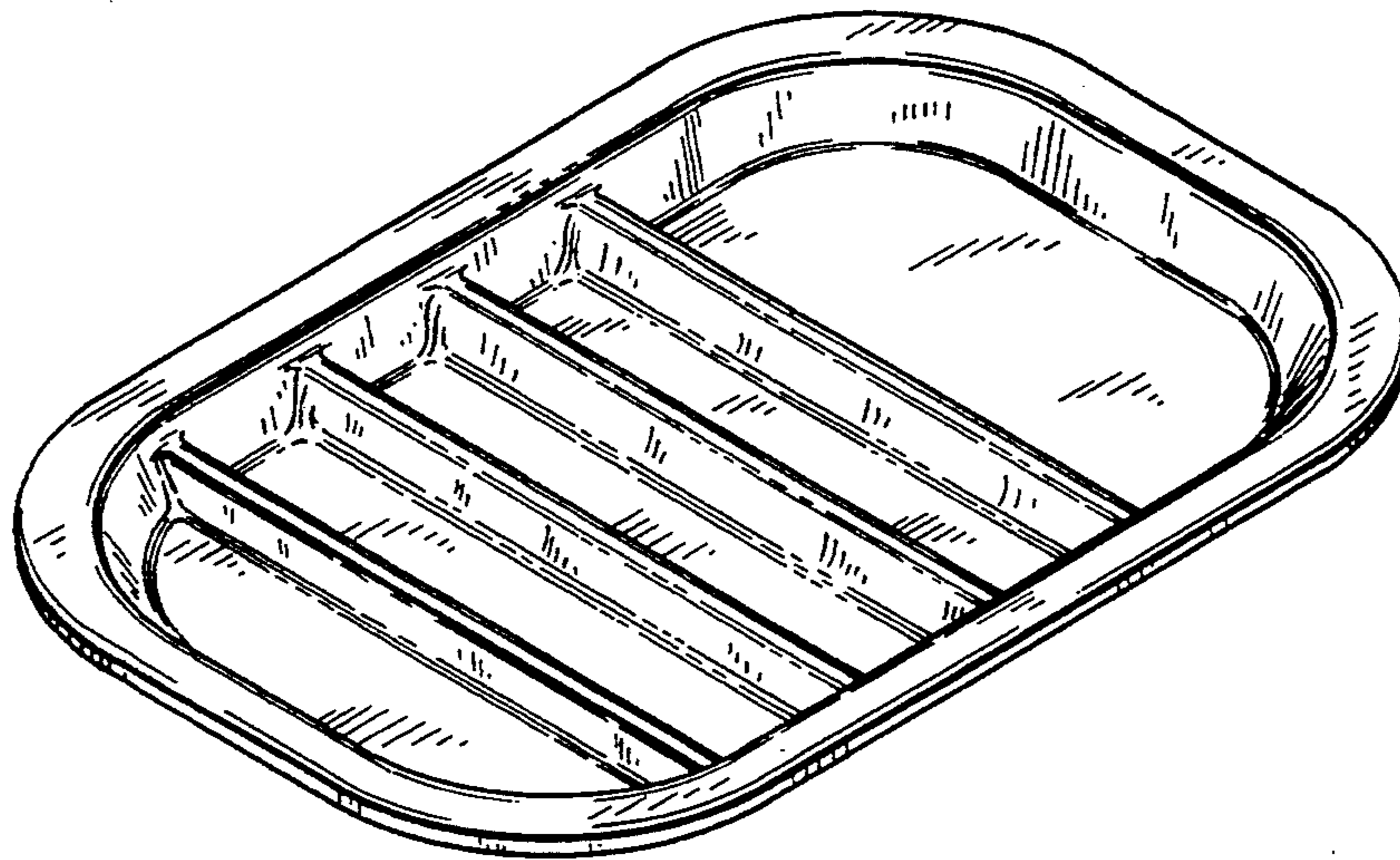
Primary Examiner—Terry A. Wallace
Attorney, Agent, or Firm—Robert K. Rhea

[57] **CLAIM**

The ornamental design for a taco plate, a shown and described.

DESCRIPTION

FIG. 1 is a perspective view of a taco plate showing my new design;
 FIG. 2 is a side elevational view thereof, the view from the opposite side being a mirror image;
 FIG. 3 is a end elevational view thereof, the view from the opposite end being a mirror image;
 FIG. 4 is a bottom view thereof; and,
 FIG. 5 is a perspective view of a further embodiment thereof, the remaining side elevational, end elevational and bottom views are identical to the first embodiment.



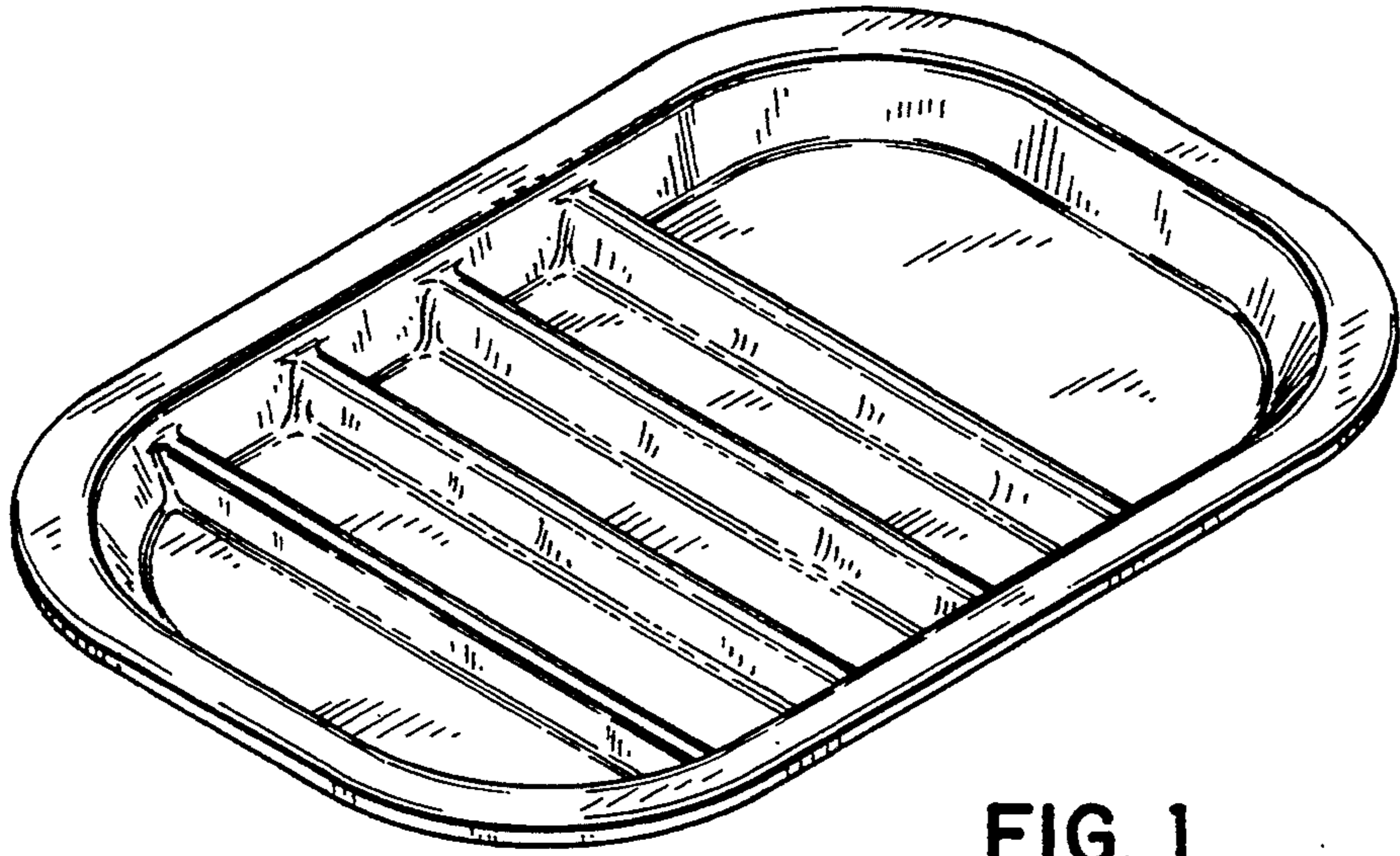


FIG. 1



FIG. 2

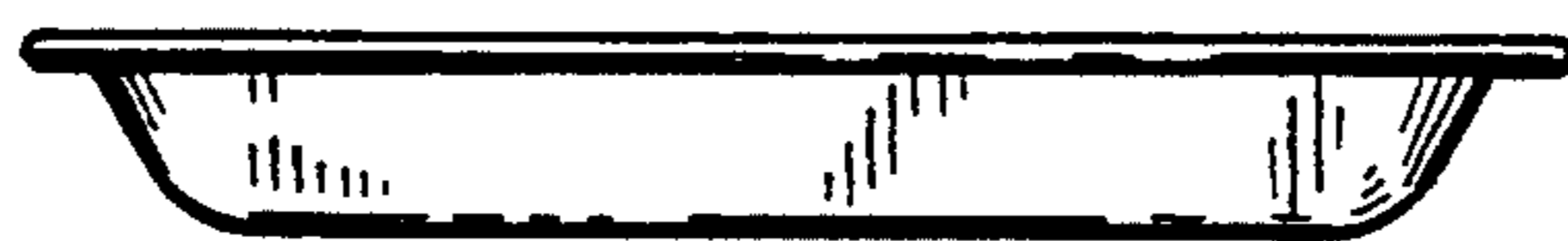


FIG. 3

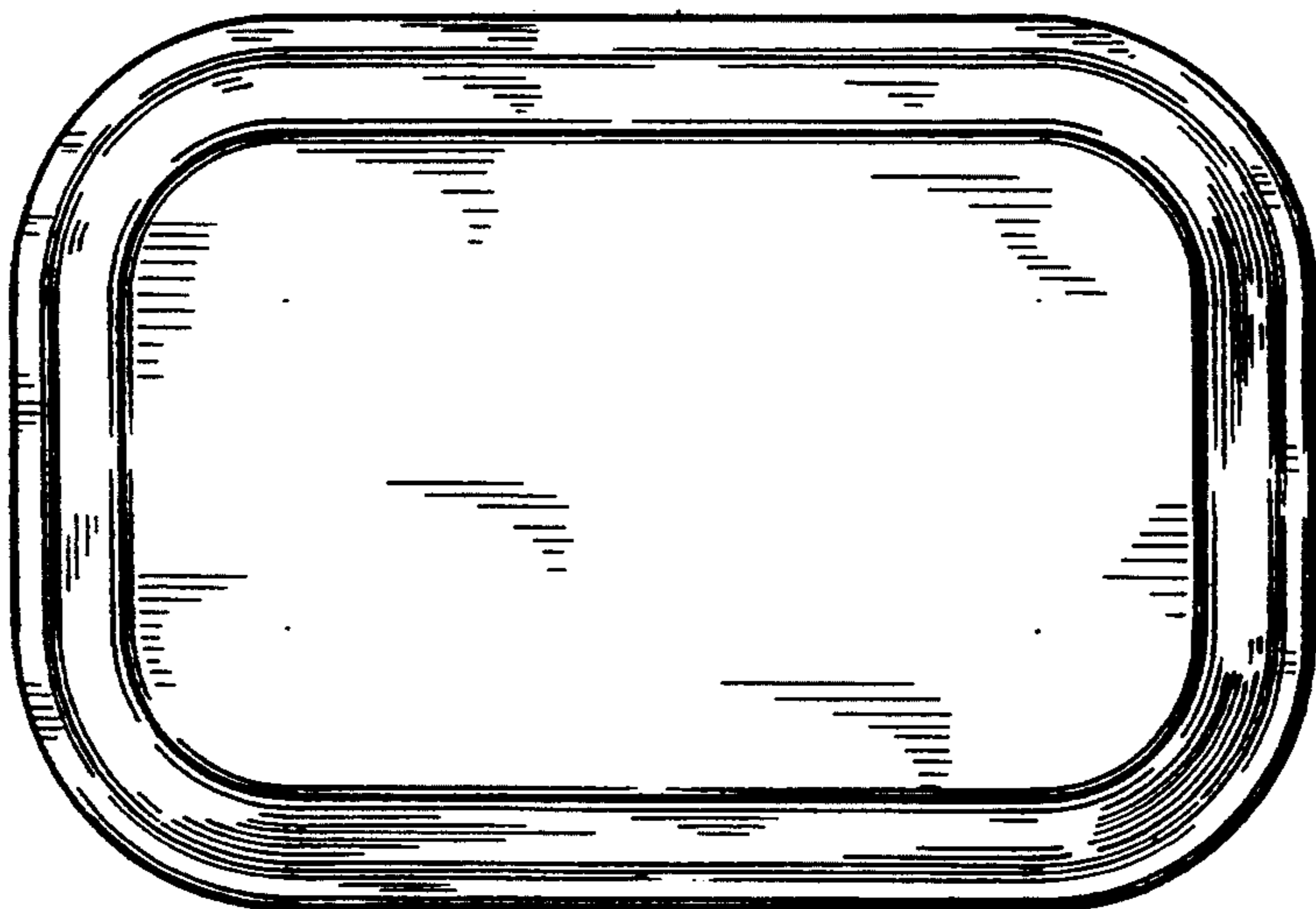


FIG. 4

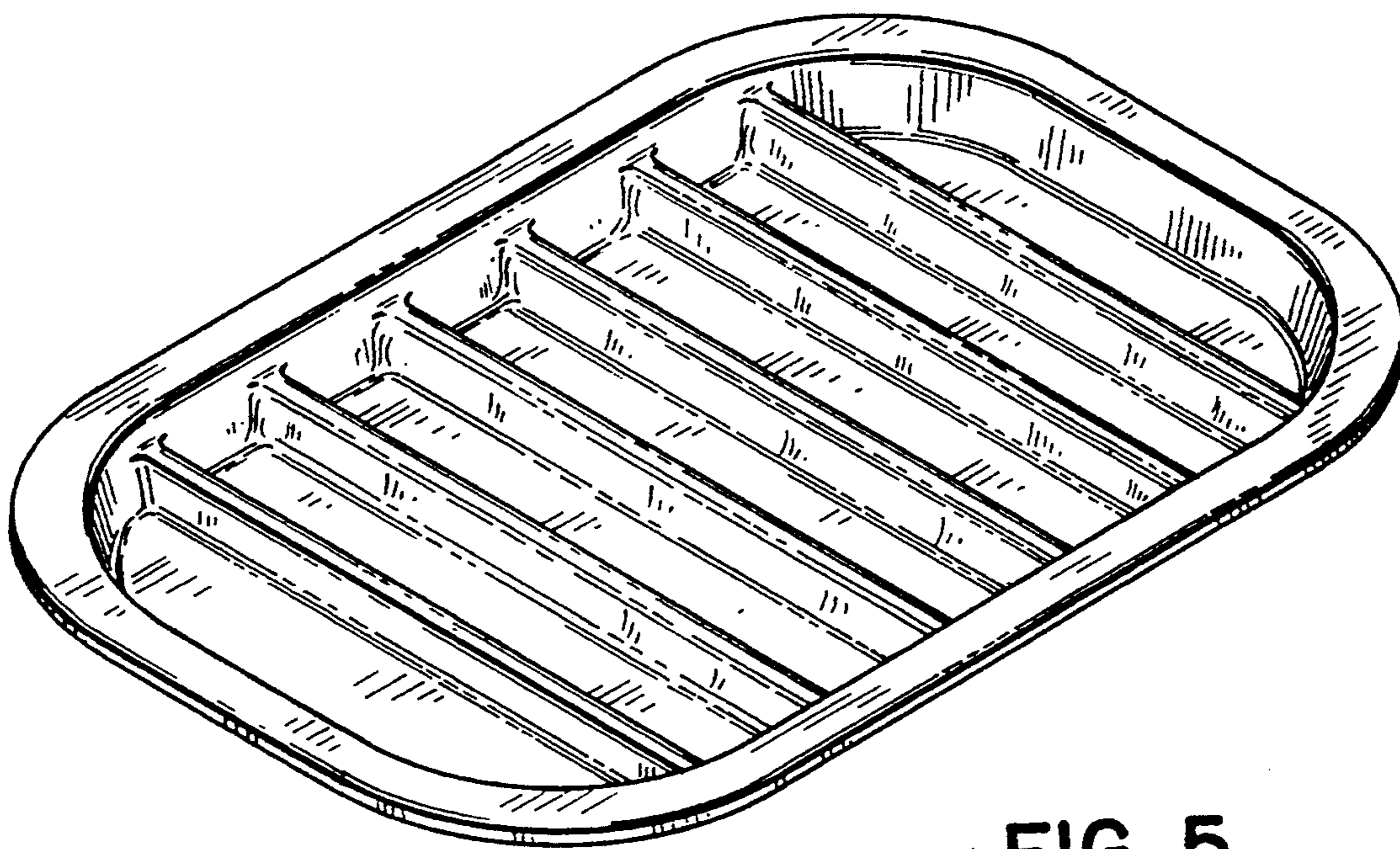


FIG. 5