



US00D353297S

United States Patent [19]

[11] Patent Number: **Des. 353,297**

Sokolski et al.

[45] Date of Patent: **** Dec. 13, 1994**

- [54] THERMAL CONTAINER LINER
- [75] Inventors: **Robert Sokolski; John Downey**, both of Warren, Pa.
- [73] Assignee: **Whirley Industries, Inc.**, Warren, Pa.
- [**] Term: **14 Years**
- [21] Appl. No.: **4,940**
- [22] Filed: **Feb. 17, 1993**
- [52] U.S. Cl. **D7/387; D7/608; D7/523; D7/509**
- [58] Field of Search **D7/387, 300, 507, 397, D7/213, 391, 507, 509, 310, 511, 513, 624, 392.1, 603, 396.2, 523, 396.3, 608; 220/410, 408; D9/429, 503, 500, 454; 215/11.1; D11/152, 153**

2,812,121	11/1957	Sheets	D7/397 X
2,863,585	10/1958	Meshberg	D7/608 X
4,163,374	8/1979	Moore et al.	D7/608 X
4,702,385	10/1987	Shillington et al.	220/408 X
4,928,412	5/1990	Nishiyama	D7/507 X
5,109,996	5/1992	Sullivan	215/11.1

Primary Examiner—Alan P. Douglas
Assistant Examiner—M. N. Pandozzi
Attorney, Agent, or Firm—Reed Smith Shaw & McClay

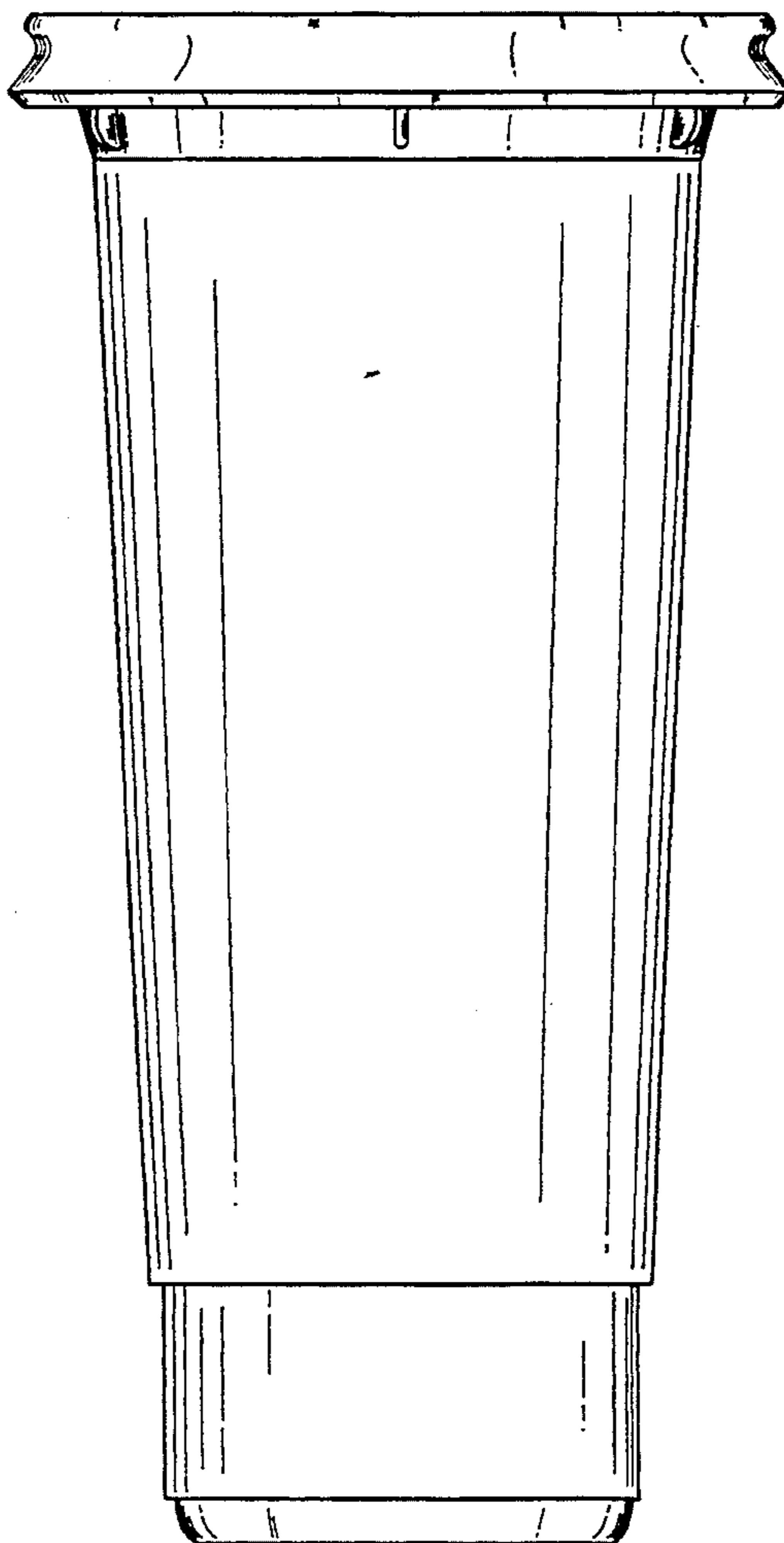
[56] **References Cited**
U.S. PATENT DOCUMENTS

D. 210,767	4/1968	Anglada	D9/429 X
D. 291,172	8/1987	Bishop et al.	D7/387
D. 300,495	4/1989	Minuti	D7/608
D. 330,514	10/1992	Edwards	D7/603 X
2,661,889	10/1953	Phinney	D7/608 X

[57] **CLAIM**
 The ornamental design for a thermal container liner, as shown.

DESCRIPTION

FIG. 1 is a side view of the thermal container liner; FIG. 2 is a top view of the thermal container liner shown in FIG. 1; FIG. 3 is a bottom view of the thermal container liner shown in FIG. 1; FIG. 4 is a top perspective view of the thermal container liner shown in FIG. 1; and, FIG. 5 is a bottom perspective view of the thermal container liner shown in FIG. 1.



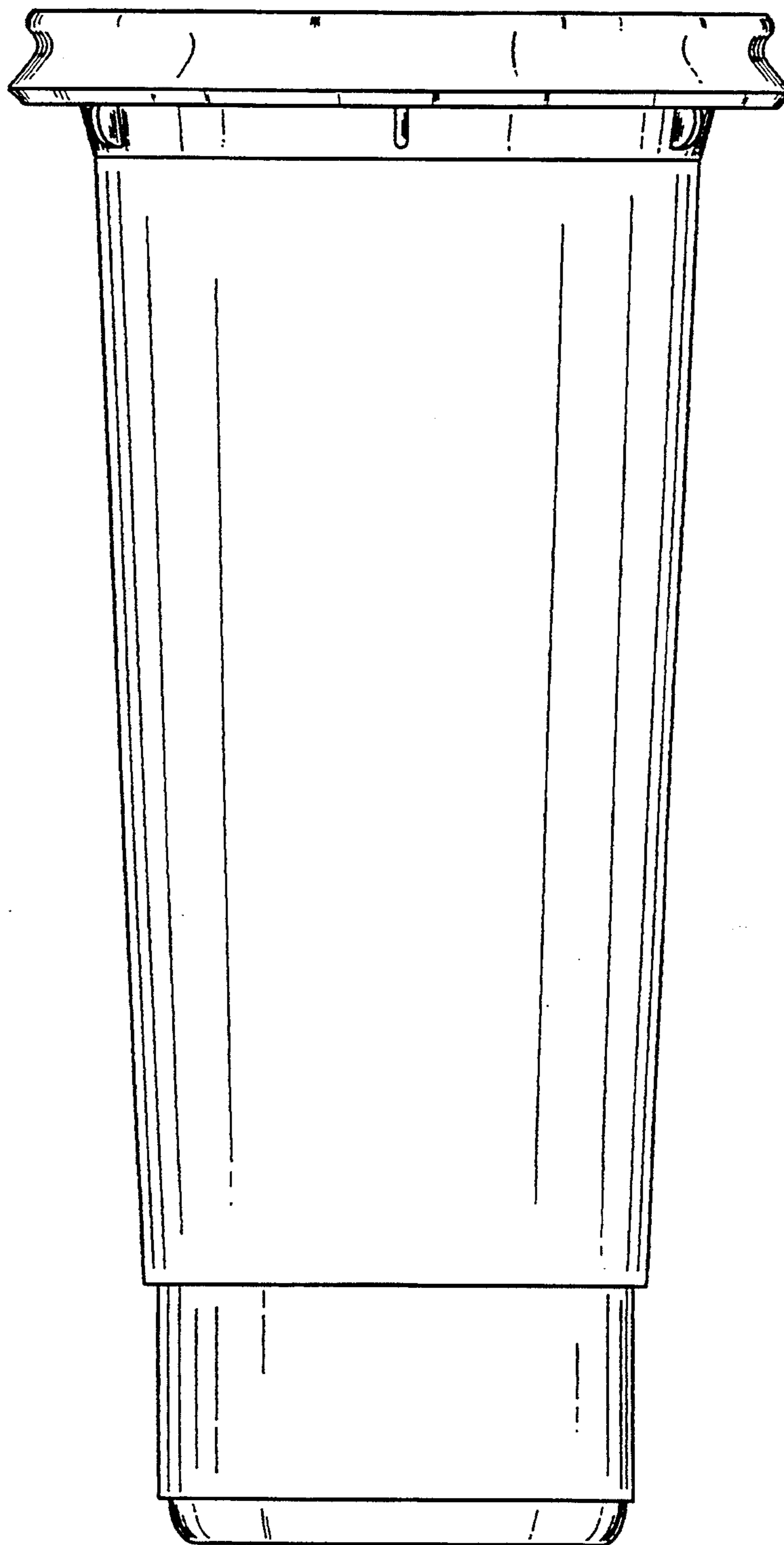


FIGURE 1

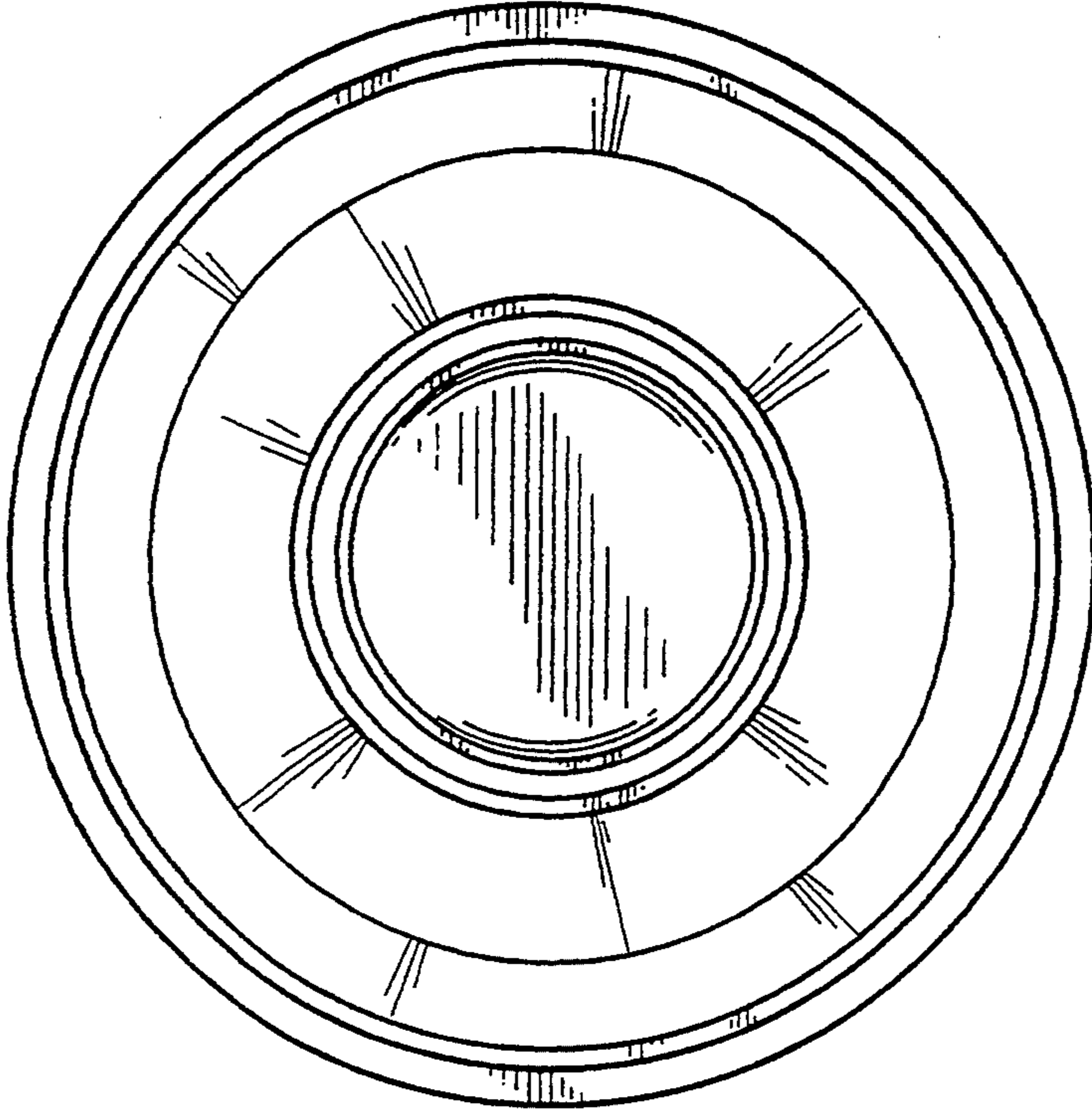


FIGURE 2

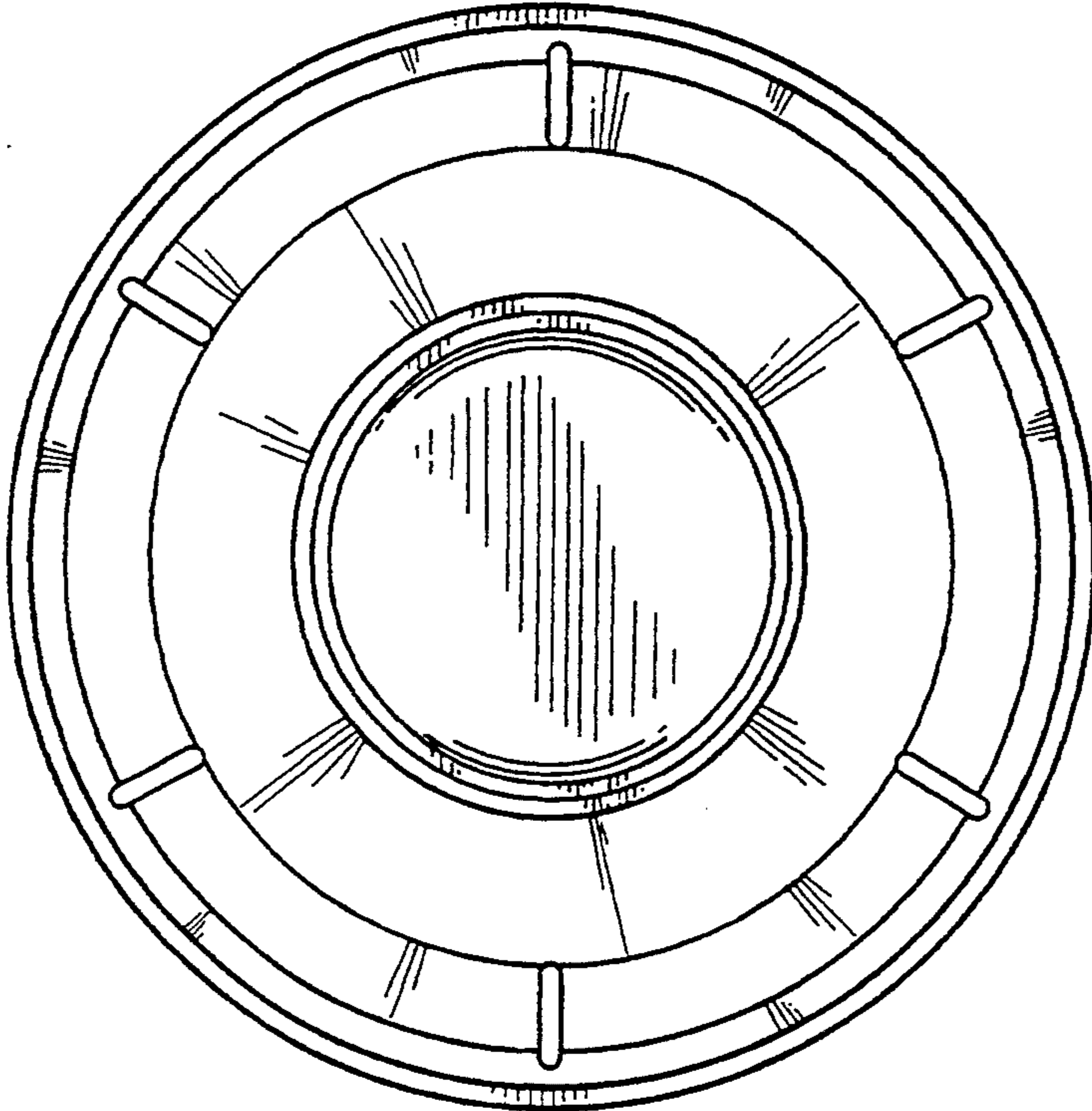


FIGURE 3

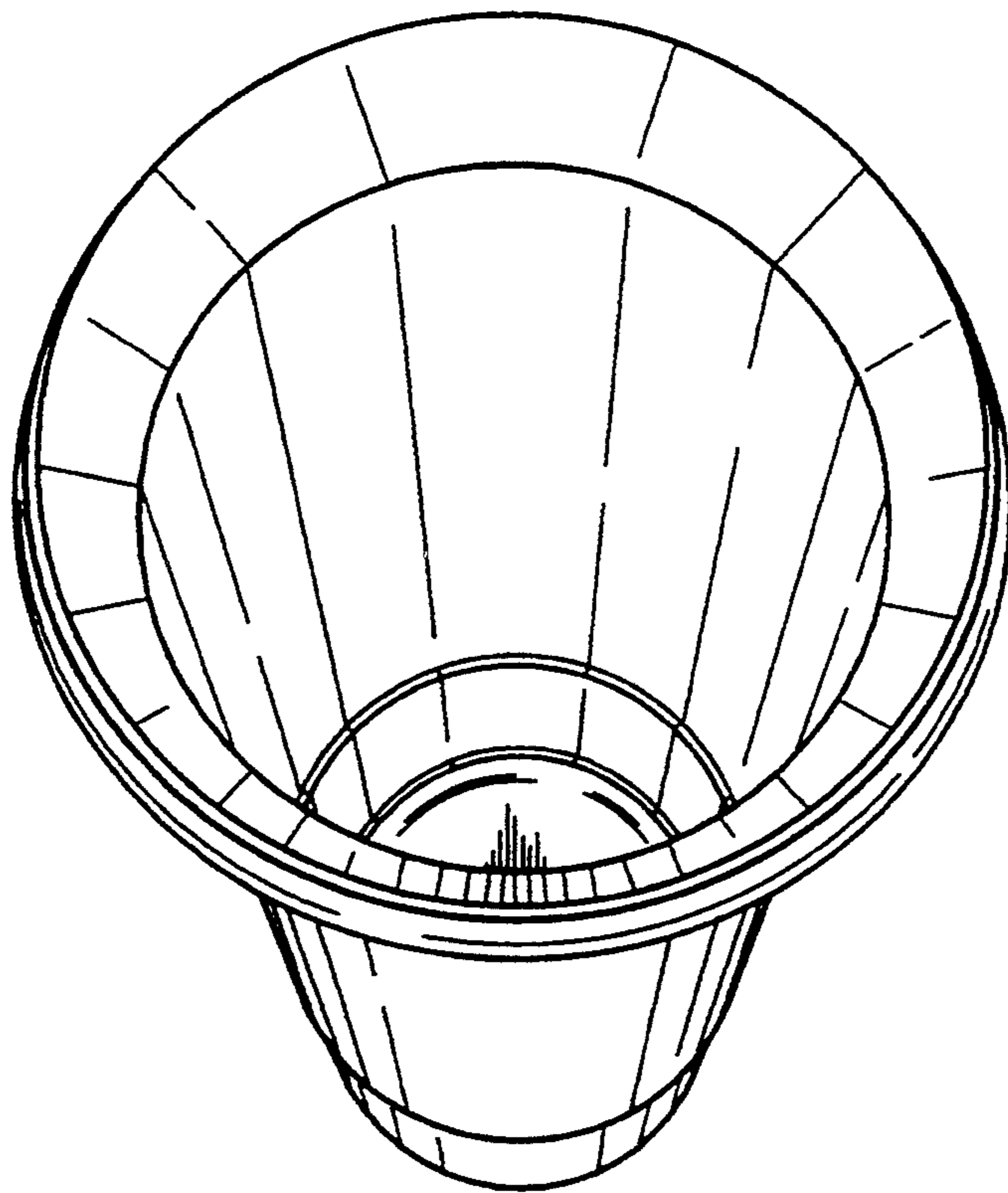


FIGURE 4

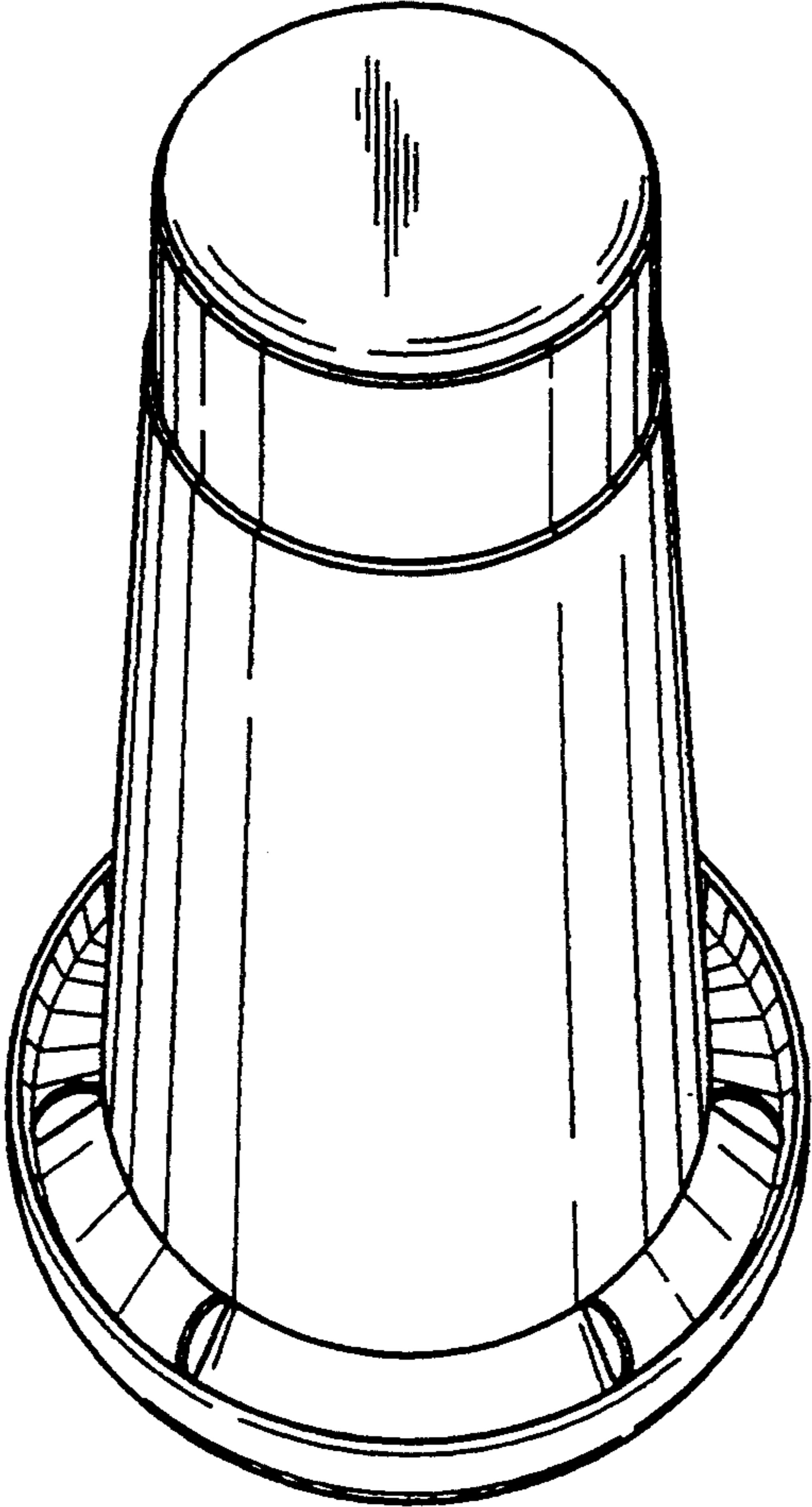


FIGURE 5