



US00D353296S

United States Patent [19]

[11] Patent Number: **Des. 353,296**

Assmann

[45] Date of Patent: **** Dec. 13, 1994**

[54] **ESPRESSO MACHINE WITH SPHERIC DISPENSING HEAD**

4,760,774 8/1988 Lin D9/309 X

[75] Inventor: **Jürgen Assmann, Essen, Germany**

[73] Assignee: **WIK
Elektro-Hausgerate-Vertriebsgesellschaft GmbH & Co.
Produktions-Kommanditgesellschaft,
Germany**

[**] Term: **14 Years**

[21] Appl. No.: **1,687**

[22] Filed: **Nov. 20, 1992**

[30] **Foreign Application Priority Data**

May 22, 1992 [DE] Germany M9203832.8

[52] U.S. Cl. **D7/309; D7/311**

[58] Field of Search **D7/300, 305, 309, 310,
D7/311, 306, 307, 308; 99/279**

[56] **References Cited**

U.S. PATENT DOCUMENTS

- D. 286,127 10/1986 Sastre D7/310 X
- D. 299,304 1/1989 Knöchner et al. D7/309
- D. 299,608 1/1989 Knöchner D7/310 X
- D. 337,688 7/1993 Diefenbach D7/309
- D. 342,182 12/1993 de Salazar Camara D7/311 X

OTHER PUBLICATIONS

Espresso Machine (top right), Form 117, Jan. 1987 p. 52.

Primary Examiner—Alan P. Douglas
Assistant Examiner—Marianne N. Pandozzi
Attorney, Agent, or Firm—Sixbey, Friedman, Leedom & Ferguson

[57] **CLAIM**

The ornamental design of an espresso machine with spheric dispensing head, as shown and described.

DESCRIPTION

FIG. 1 is a frontal perspective view showing the new design of the present invention;
 FIG. 2 is a rear perspective view showing the new design of the present invention;
 FIG. 3 is a top plan view showing the new design of the present invention;
 FIG. 4 is a side perspective view showing the new design of the present invention from the right side relative to the view of FIG. 1; and,
 FIG. 5 is a side perspective view showing the new design of the present invention from the left side relative to the view of FIG. 1.
 The bottom plan view is plain and unornamented.

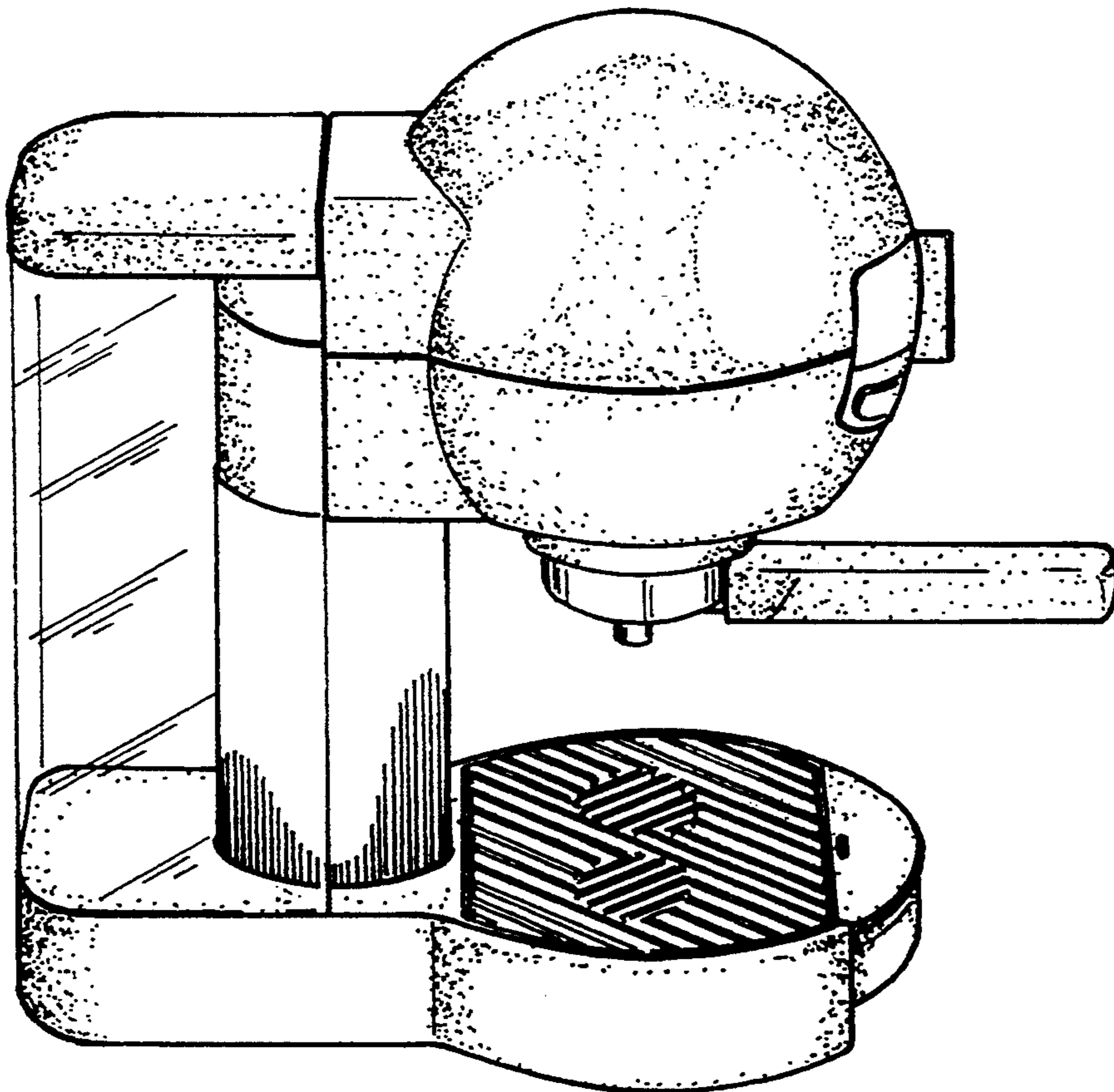


Fig. 1

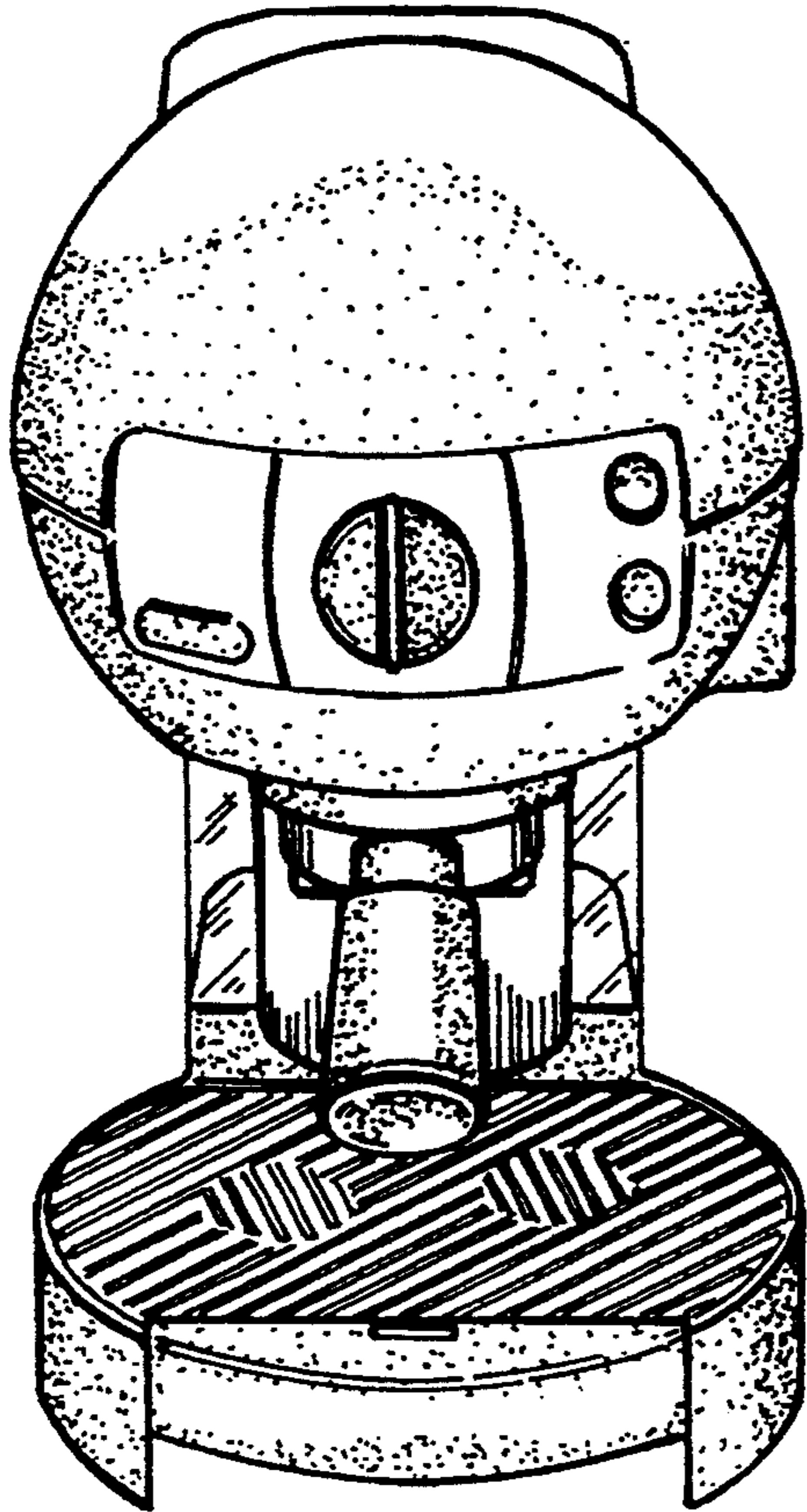


Fig 2

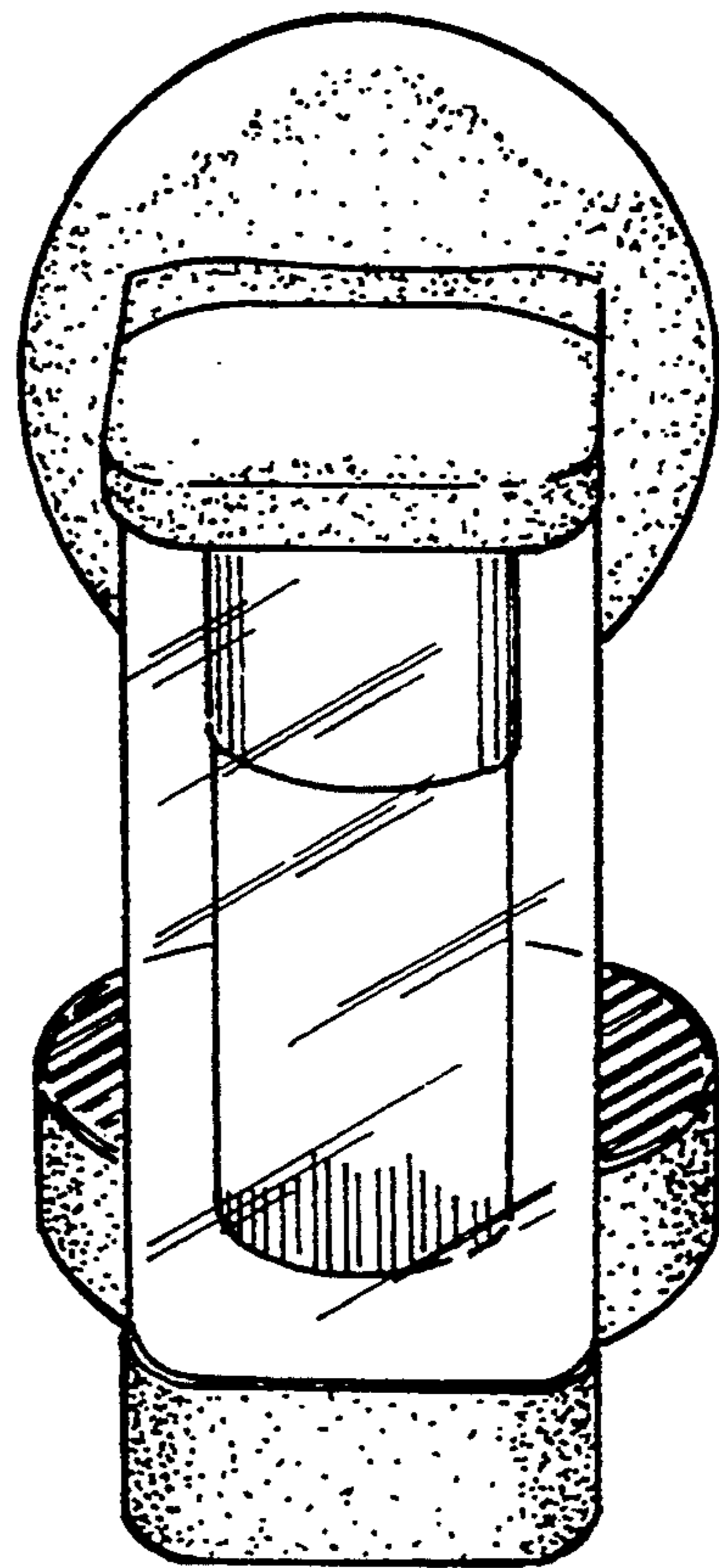


Fig. 3

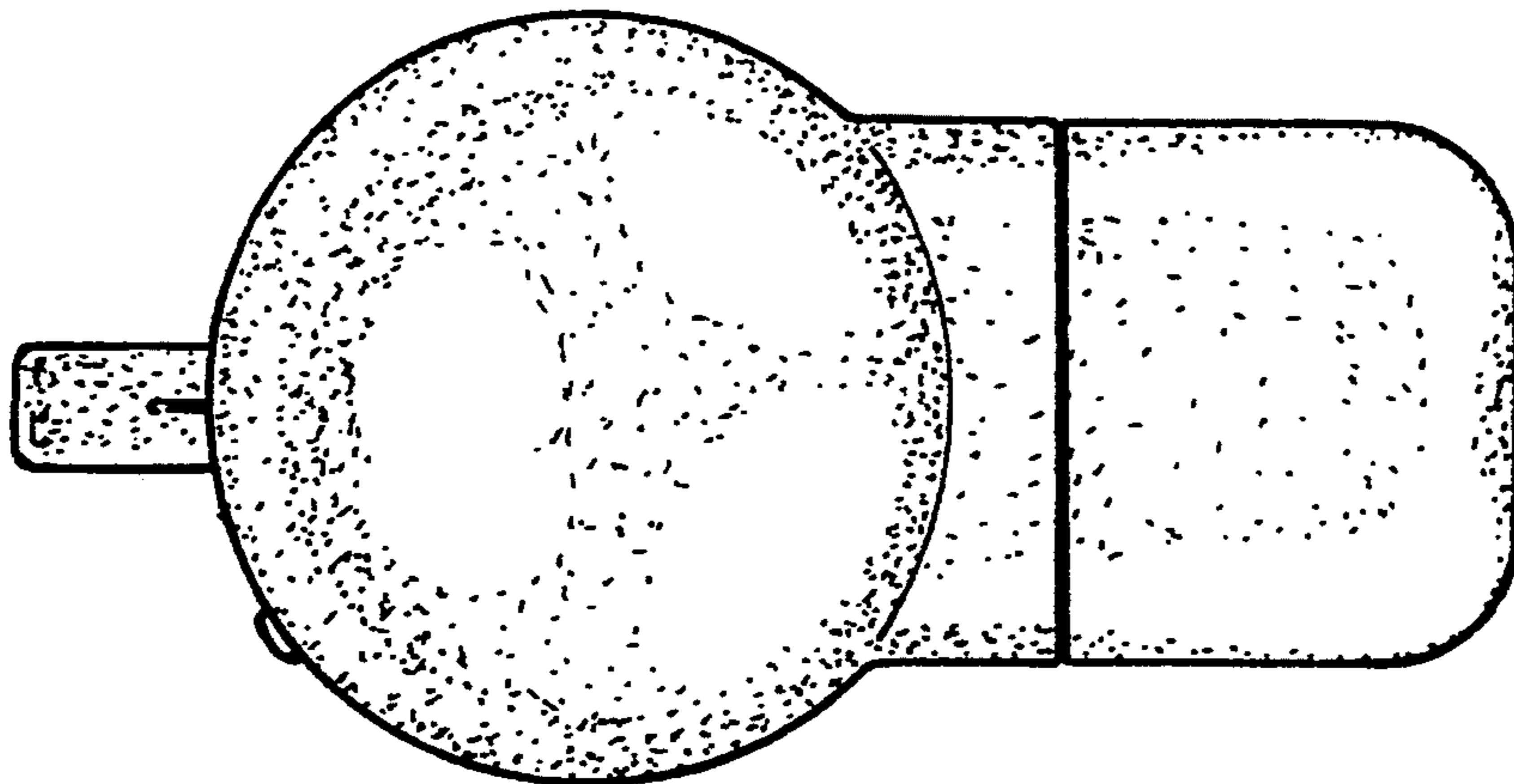


Fig. 4

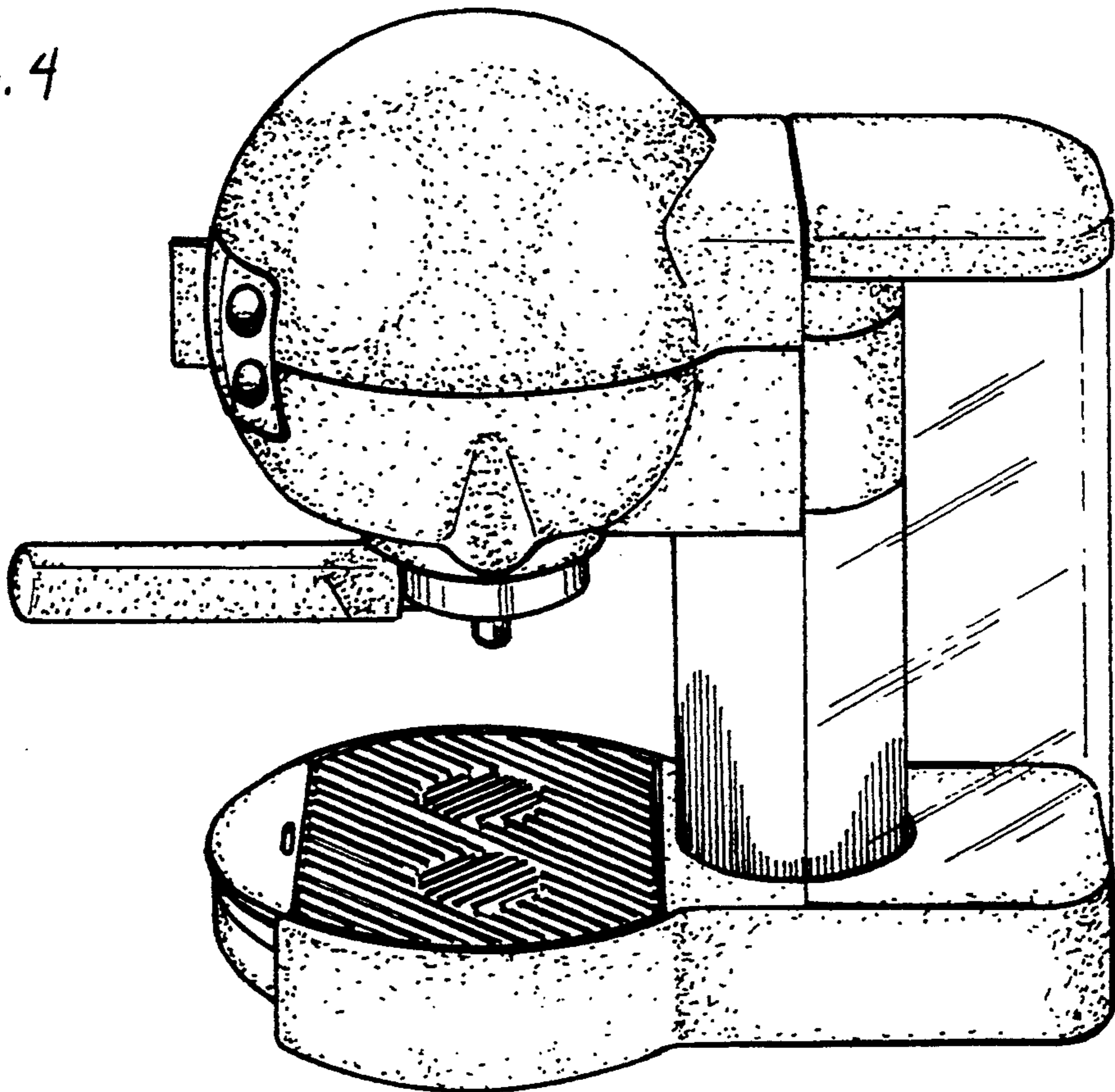


Fig. 5

