



US00D353295S

United States Patent [19]

[11] Patent Number: **Des. 353,295**

Bodine

[45] Date of Patent: **** Dec. 13, 1994**

[54] **COMBINED CHAIR RAIL AND CHALK SHELF FOR MOUNTING ON A WALL**

1,279,554	9/1918	Knapp	434/417
1,589,597	6/1926	Kennedy	434/417
2,094,551	9/1937	Peck et al.	434/417
2,338,146	1/1944	Urbain	434/417
2,469,347	5/1949	Windhorst	434/417
2,763,937	9/1956	Urbain	434/417
2,872,744	2/1959	Dallen	434/417

[76] Inventor: **Darryl C. Bodine**, 1780 Ridgeview Ave., Lancaster, Pa. 17603

[**] Term: **14 Years**

Primary Examiner—Janice E. Seeger

[21] Appl. No.: **7,949**

[57] CLAIM

[22] Filed: **May 5, 1993**

The ornamental design for a combined chair rail and chalk shelf for mounting on a wall, as shown and described.

[52] U.S. Cl. **D6/574; D6/511; D6/553; D6/567**

[58] Field of Search **D6/491, 509-511, D6/553, 567, 574; 434/417; 401/88; D19/52**

DESCRIPTION

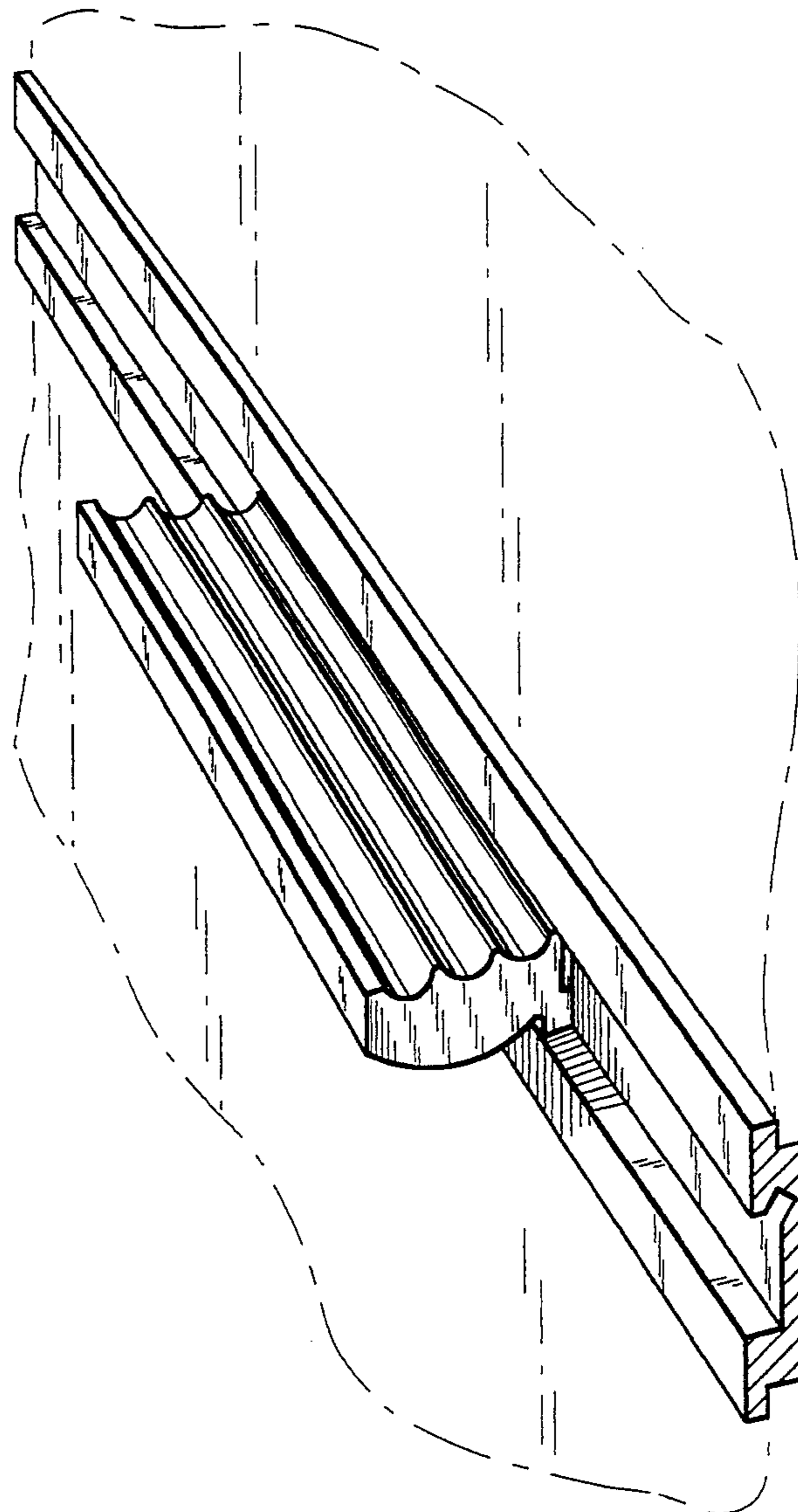
[56] References Cited

FIG. 1 is a top perspective view of a combined rail and chalk shelf, showing my new design; and, FIG. 2 is a bottom perspective view thereof.

U.S. PATENT DOCUMENTS

The broken lines are for environmental purposes only and form no part of the claimed design.

D. 165,038	10/1951	Windhorst	D19/52
D. 320,521	10/1991	Baur	D6/553



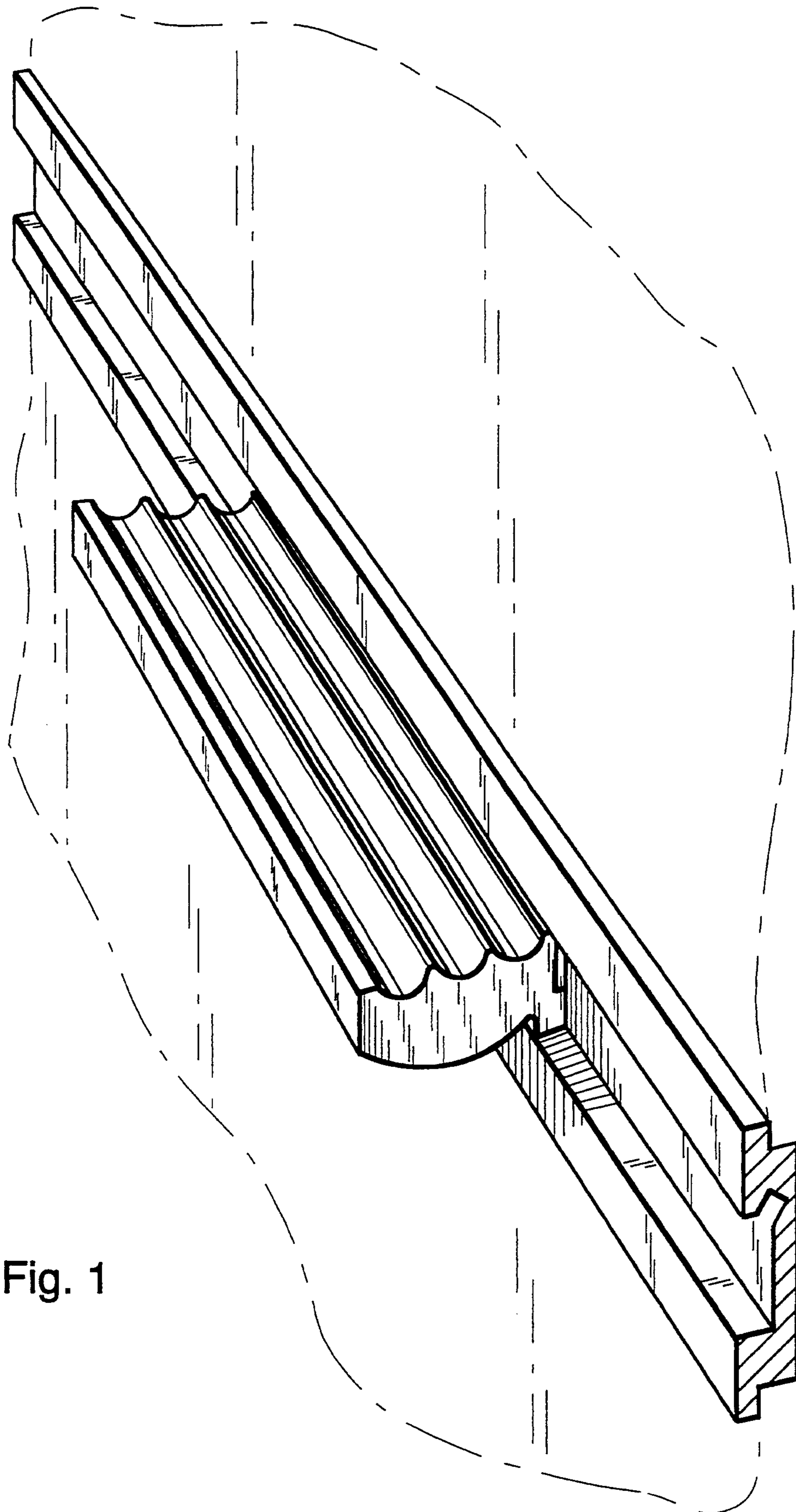


Fig. 1

Fig. 2

