



US00D353294S

United States Patent [19]

[11] Patent Number: **Des. 353,294**

Belokin et al.

[45] Date of Patent: **** Dec. 13, 1994**

[54] **BOTTLE RACK**

[76] Inventors: **Paul Belokin; Martin P. Belokin**, both of P.O. Box 1907, Denton, Tex. 76202; **Norman P. Belokin**, 3341 Evers Pkwy., Denton, Tex. 76207

[**] Term: **14 Years**

[21] Appl. No.: **15,585**

[22] Filed: **Nov. 22, 1993**

[52] U.S. Cl. **D6/567**

[58] Field of Search **D6/553, 567, 572, 574; 211/60.1, 74-75; 248/311.2, 312**

[56] **References Cited**

U.S. PATENT DOCUMENTS

- D. 267,744 1/1983 Flynn D6/574 X
- D. 294,442 3/1988 Bordian D6/574
- D. 309,687 8/1990 Embree et al. D6/574 X

- D. 340,607 10/1993 Hubbard D6/574 X
- D. 347,538 6/1994 Fleischer D6/567
- 2,974,804 3/1961 Maro 211/60.1
- 3,187,902 6/1965 Nelson 211/70.6

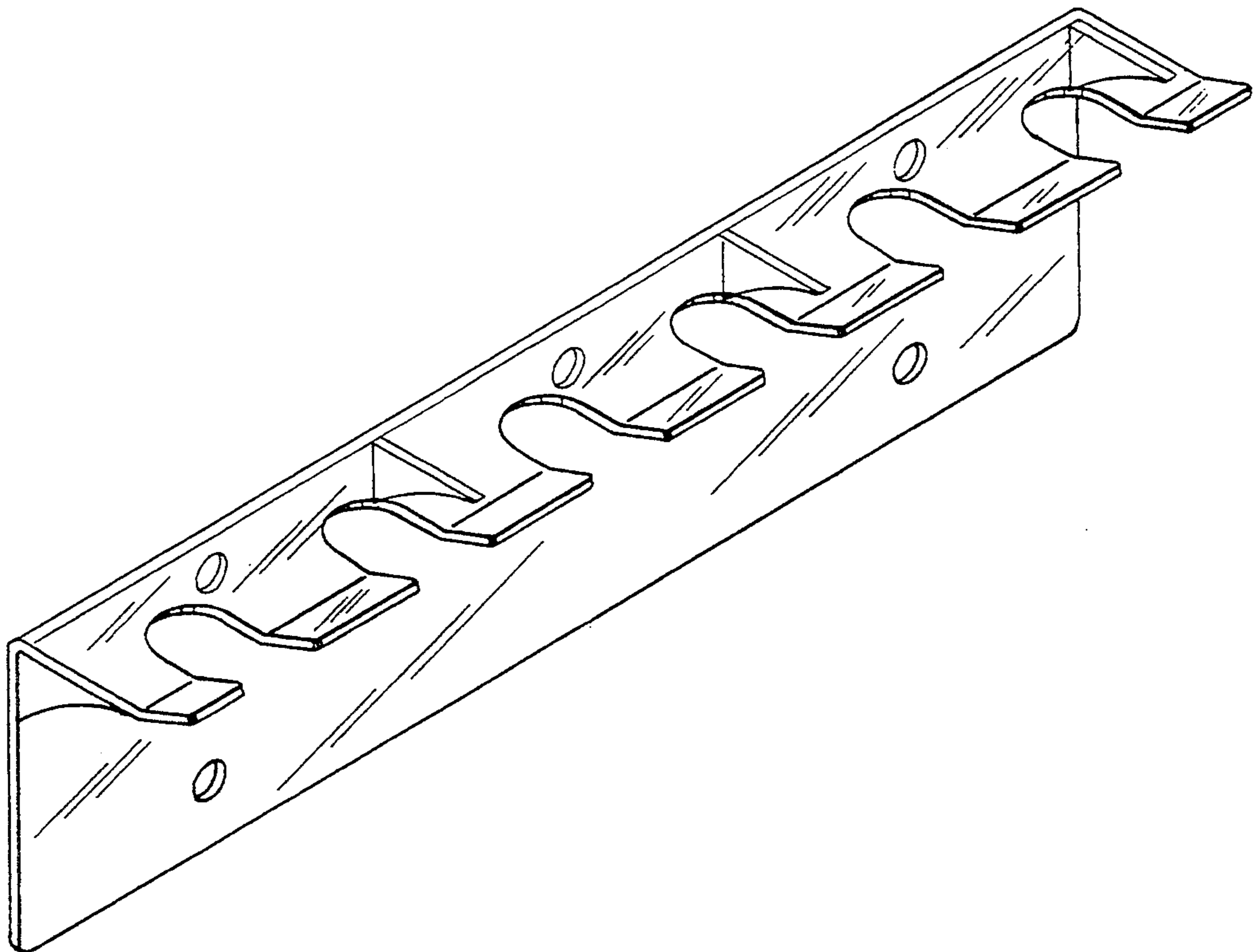
Primary Examiner—Brian N. Vinson
Attorney, Agent, or Firm—Jack A. Kanz

[57] **CLAIM**

The ornamental design for a bottle rack, as shown and described.

DESCRIPTION

FIG. 1 is a perspective view of a bottle rack showing our new design; FIG. 2 is a side elevational view thereof, the opposite side view being a mirror image of the view of FIG. 2; FIG. 3 is a front elevational view thereof; FIG. 4 is a top plan view thereof; FIG. 5 is a rear elevational view thereof; and, FIG. 6 is a bottom plan view of my bottle rack.



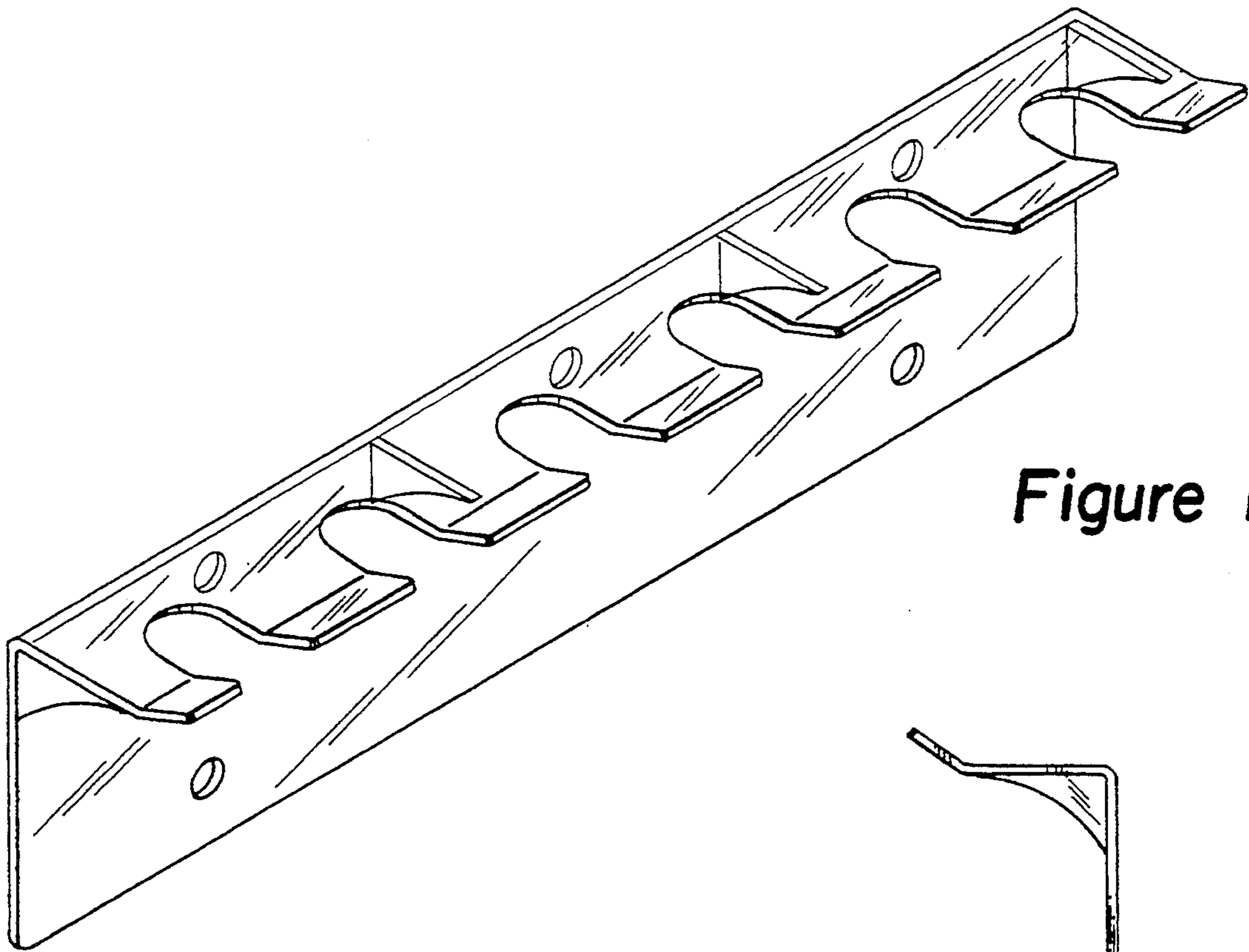


Figure 1

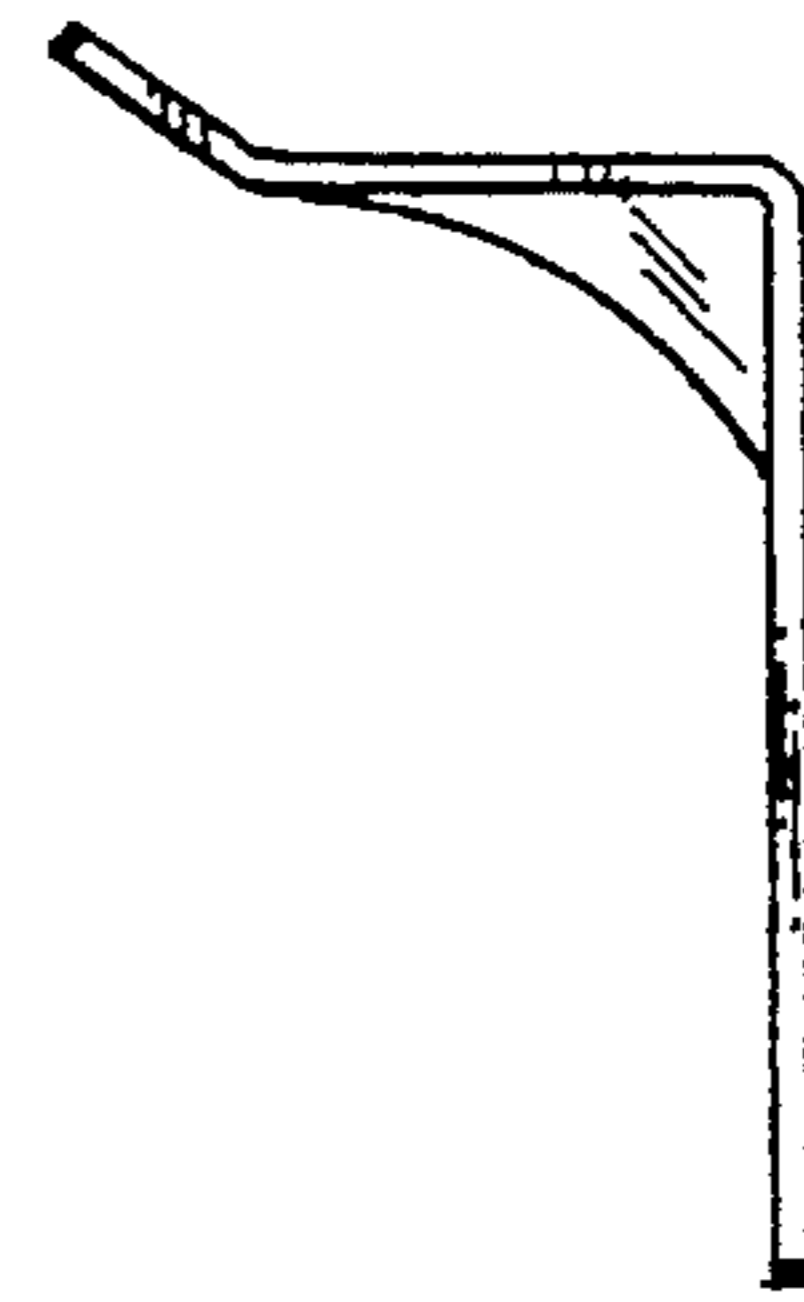


Figure 2

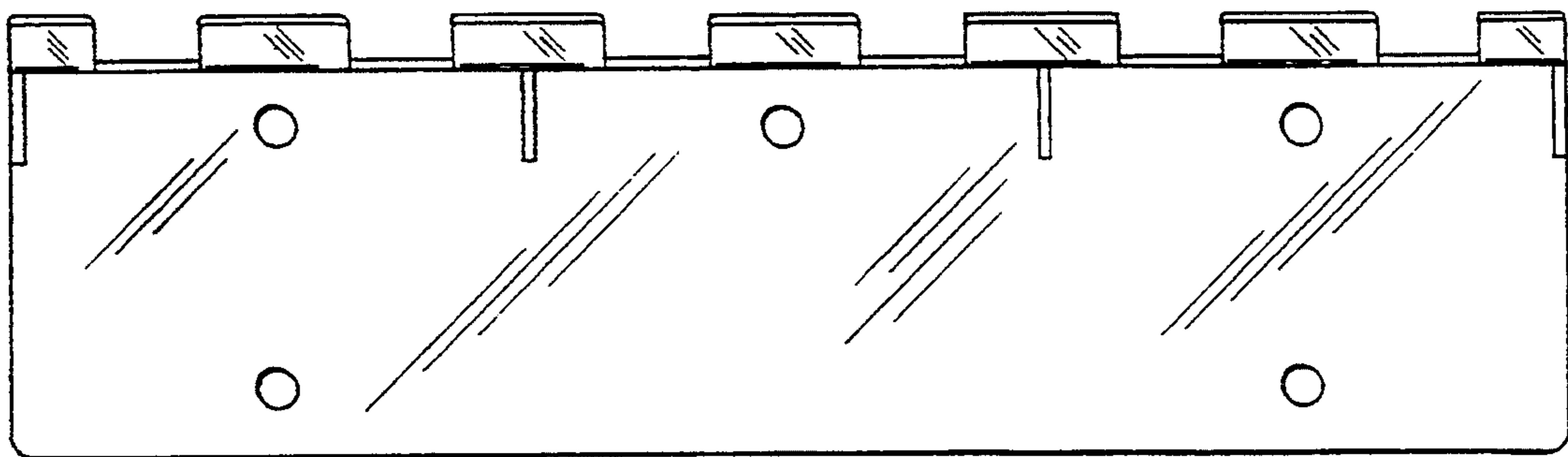


Figure 3

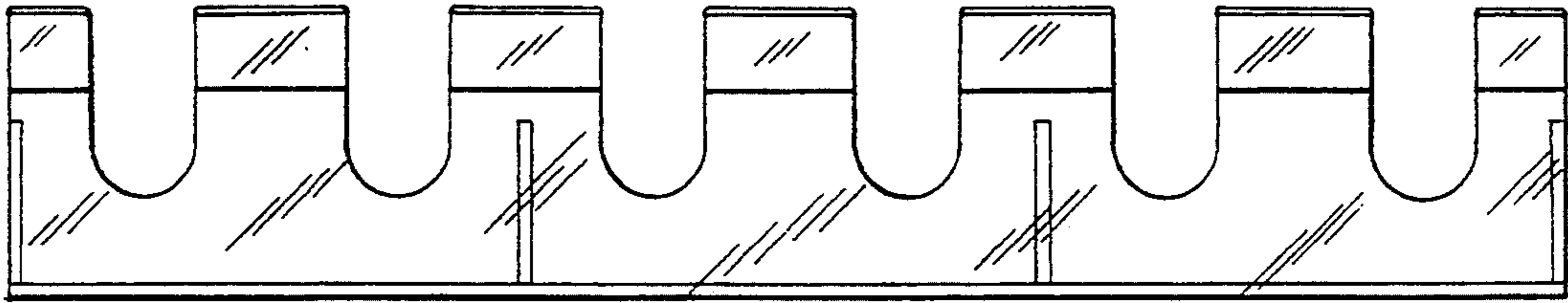


Figure 4

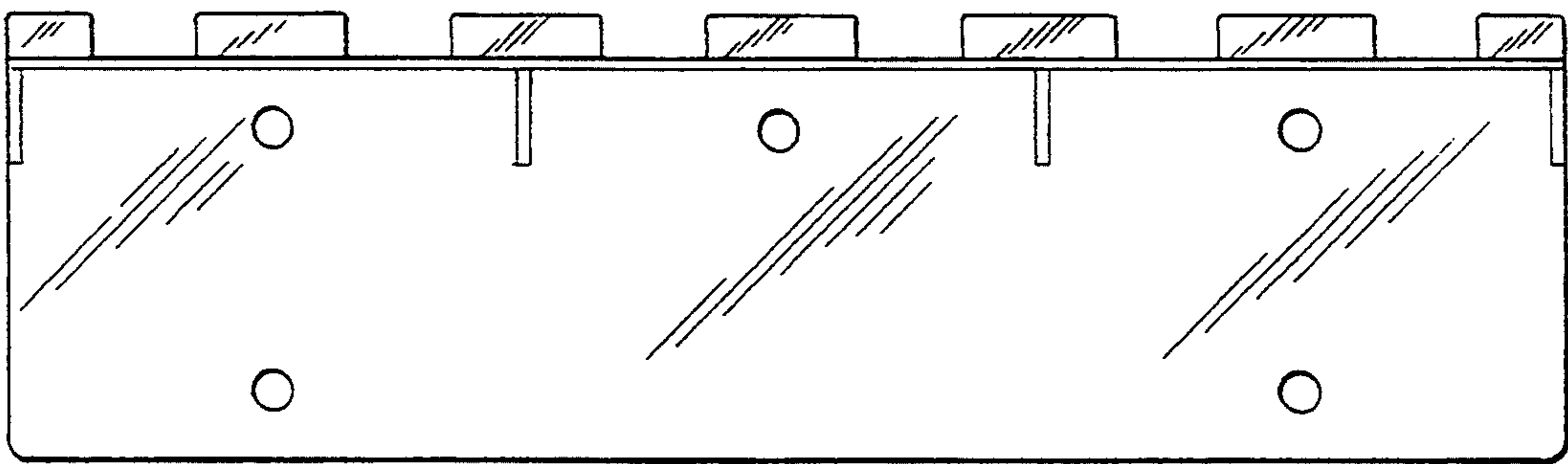


Figure 5

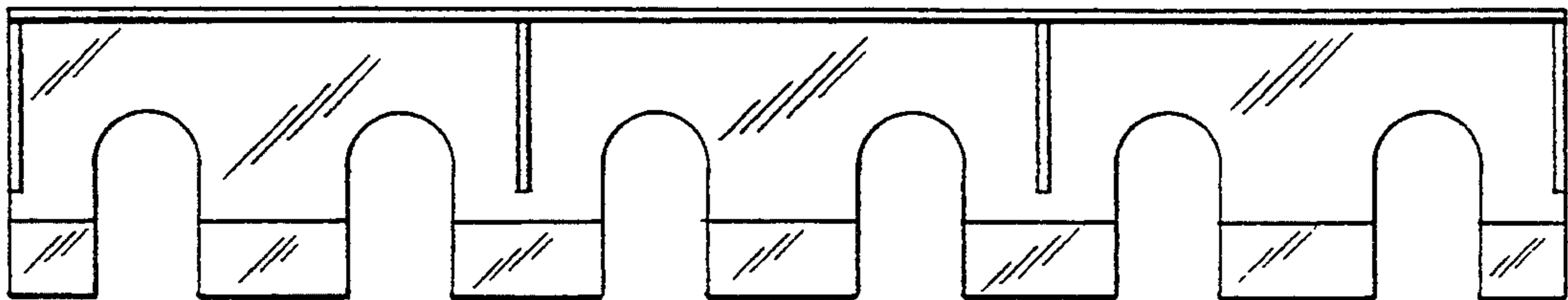


Figure 6