



US00D353290S

United States Patent [19]

[11] Patent Number: Des. 353,290

Shafer

[45] Date of Patent: ** Dec. 13, 1994

[54] WALL MOUNTED SUPPORT FOR A DAGUERRETYPE CASE

4,822,669 4/1989 Roga 15/215 X

[76] Inventor: Paul T. Shafer, 2031 Flintcrest Dr., San Jose, Calif. 95148

Primary Examiner—Wallace R. Burke
Assistant Examiner—Monica A. Hannon

[**] Term: 14 Years

[57] CLAIM

[21] Appl. No.: 6,526

The ornamental design for a wall mounted support for a daguerreotype case, as shown and described.

[22] Filed: Mar. 29, 1993

DESCRIPTION

[52] U.S. Cl. D6/512; D6/553

[58] Field of Search D6/582, 583, 585, 586, D6/587, 512, 553, 300, 301, 302, 310; 4/581, 582, 583; 5/417, 418, 419, 420, 900.5; 15/215, 216, 217; D12/203

FIG. 1 is a perspective view of a wall mounted support for a daguerreotype case showing my new design; FIG. 2 is a front elevational view thereof; FIG. 3 is a back elevational view thereof; FIG. 4 is a top plan view thereof; FIG. 5 is a cross sectional view taken along the lines 5—5 of FIG. 2; FIG. 6 is a side elevational view thereof; and, FIG. 7 is a cross sectional view taken along the lines 7—7 of FIG. 2.

[56] References Cited

U.S. PATENT DOCUMENTS

D. 67,782	7/1925	Born	D6/300
D. 105,473	8/1937	Candido	D6/300
D. 126,830	4/1941	Bender	D6/40
D. 169,674	5/1953	Hyams	D6/301
D. 326,364	5/1992	Harder	D6/300

The daguerreotype case shown in broken lines in FIG. 1 is for illustrative purposes only and forms no part of the claimed design.

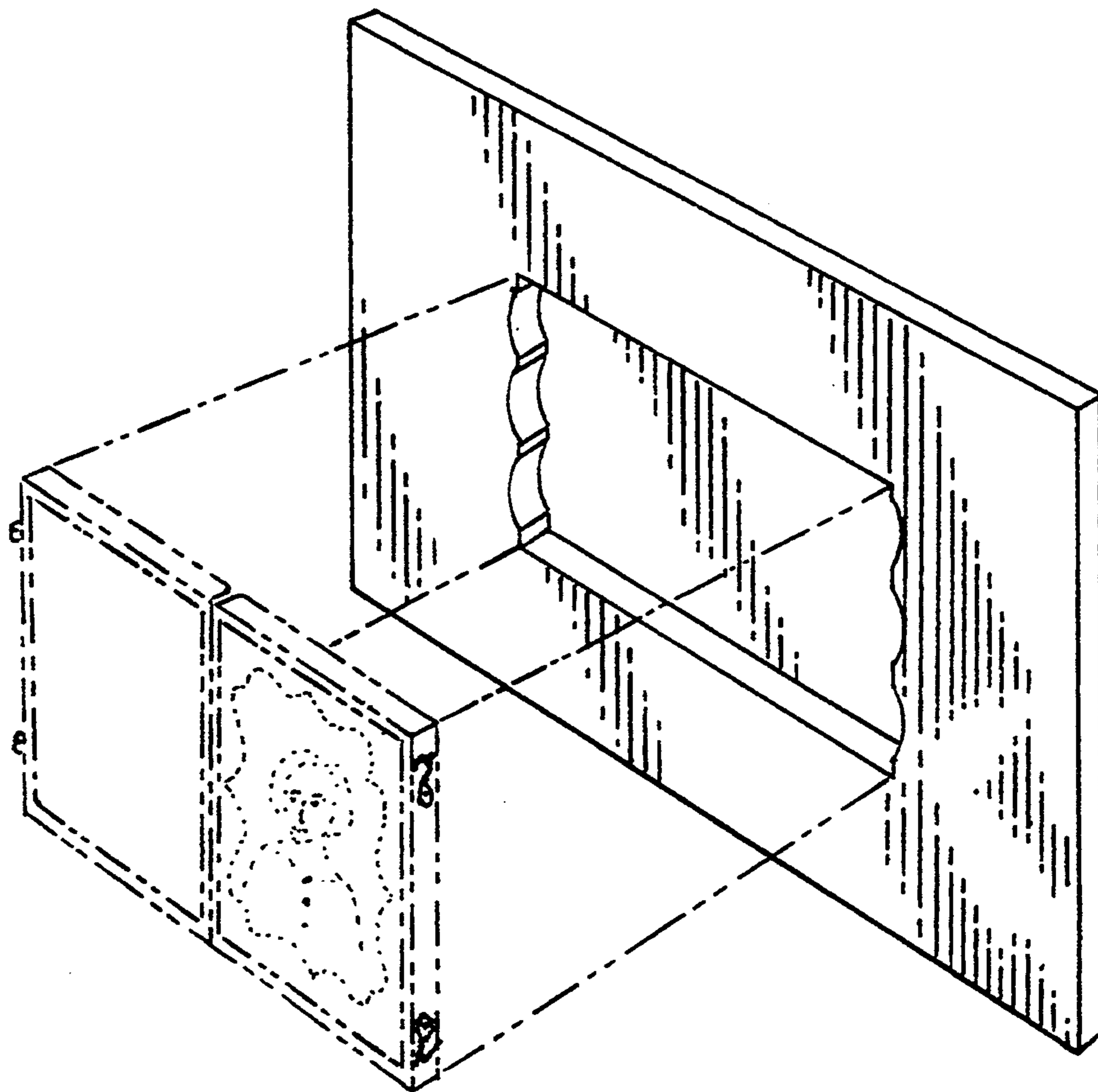


Fig. 1

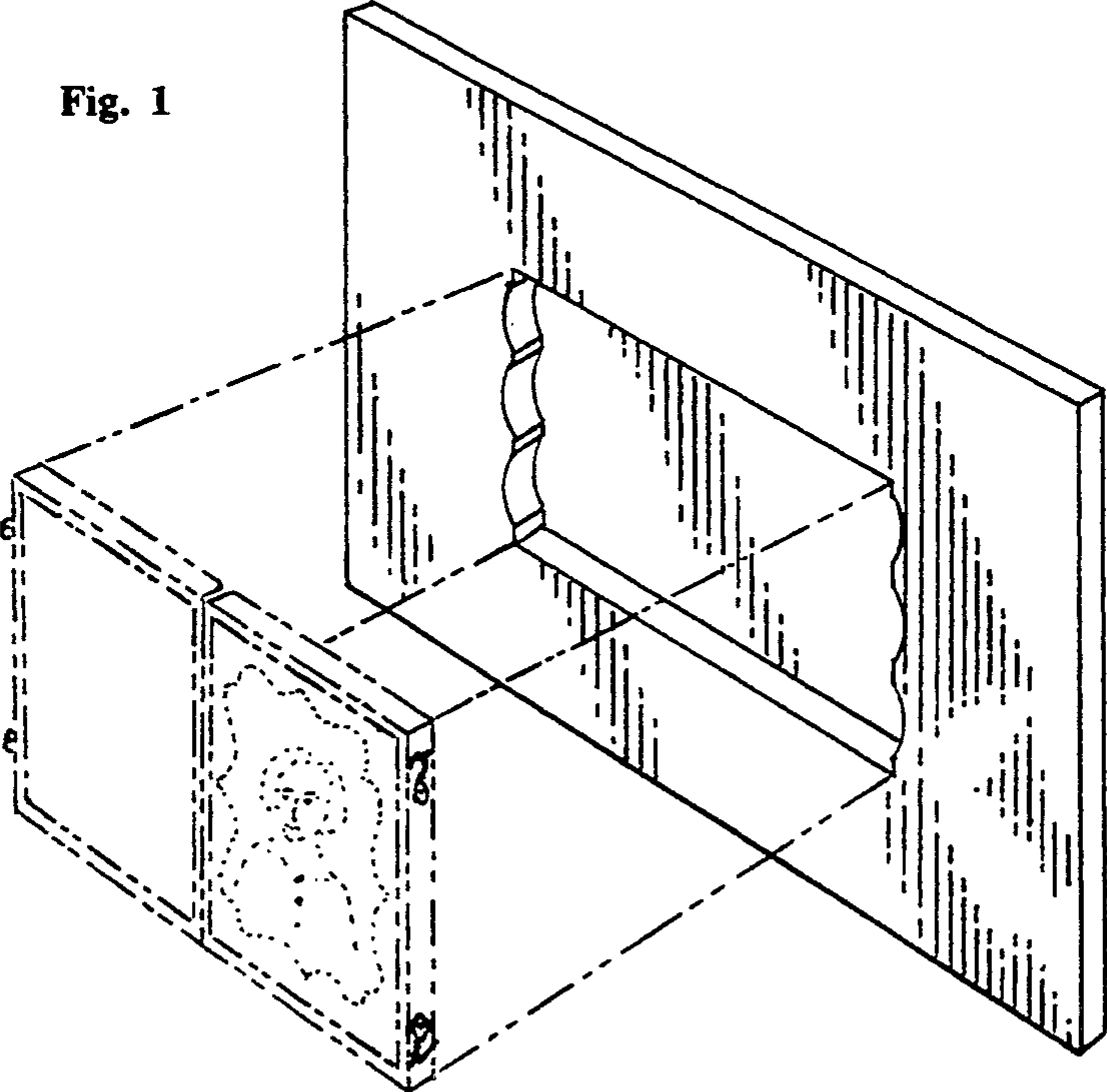
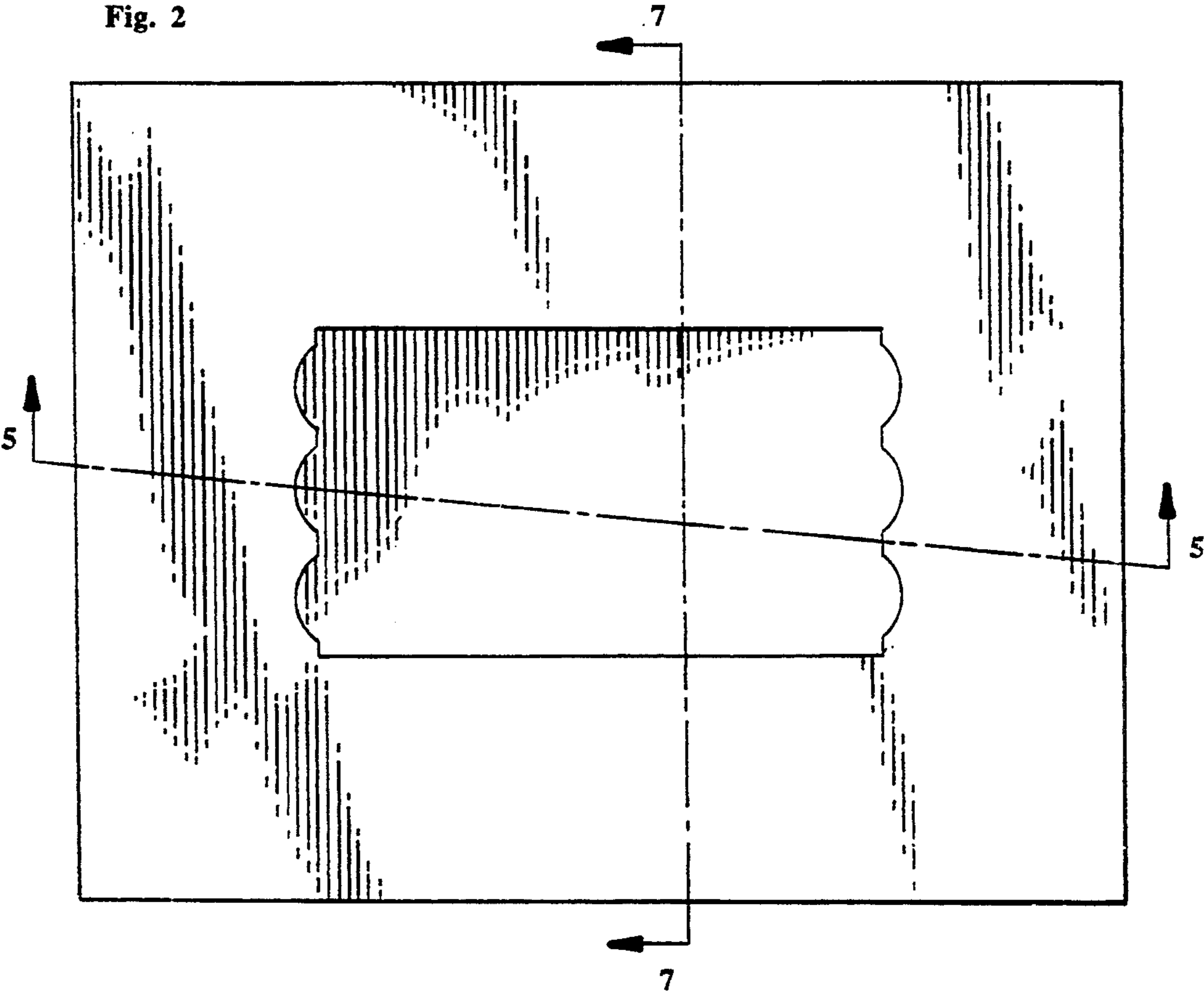


Fig. 2



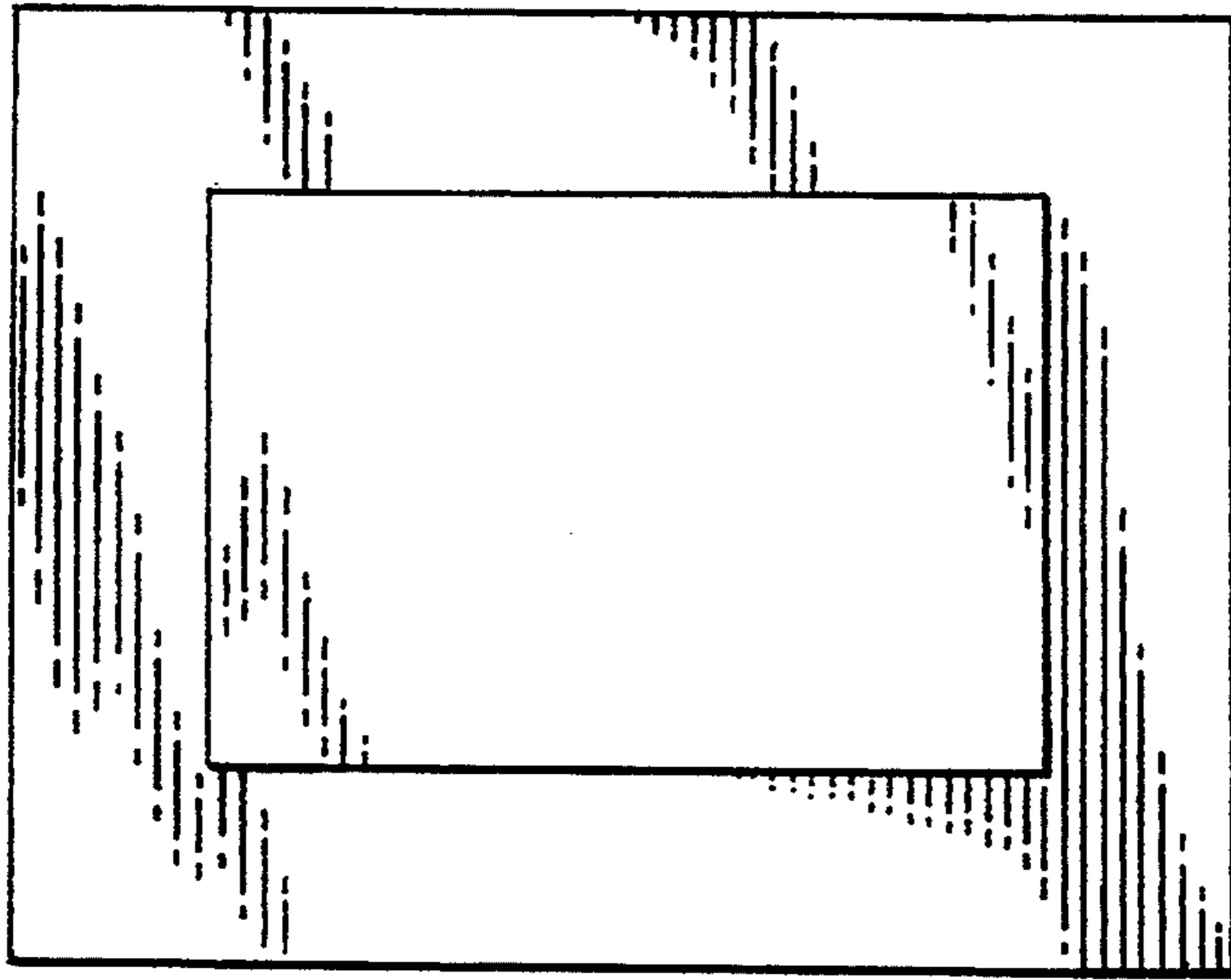


Fig. 3

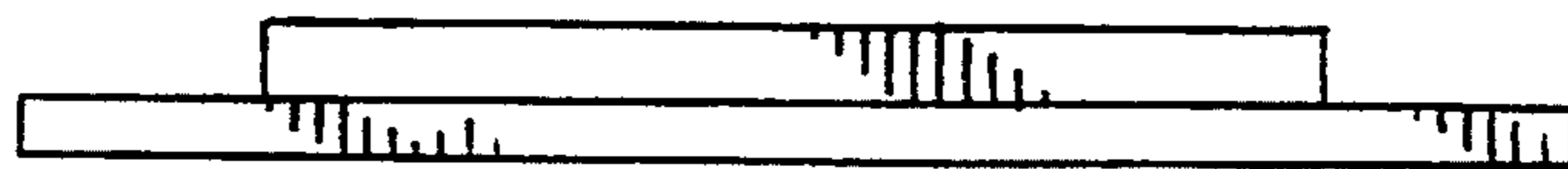


Fig. 4



Fig. 5



Fig. 6

Fig. 7

