



US00D353289S

United States Patent [19]

[11] Patent Number: **Des. 353,289**

Ayotte et al.

[45] Date of Patent: **** Dec. 13, 1994**

[54] **COLLAPSIBLE CUPHOLDER ARMREST**

4,613,048	9/1986	McGill	211/71
4,795,211	11/1989	Stern et al.	297/194
4,863,134	9/1989	Young et al.	248/311.2

[75] Inventors: **John P. Ayotte, Eagan; Peter W. A. Bergin, Hopkins, both of Minn.**

FOREIGN PATENT DOCUMENTS

[73] Assignee: **MTS Northwest Sound, Inc., Minneapolis, Minn.**

3143957A1 11/1981 Germany .

[**] Term: **14 Years**

Primary Examiner—Terry A. Wallace
Attorney, Agent, or Firm—Westman, Champlin & Kelly

[21] Appl. No.: **11,293**

[57] CLAIM

[22] Filed: **Jul. 30, 1993**

The ornamental design for a collapsible cupholder armrest, as shown and described.

[52] U.S. Cl. **D6/510; D7/620**

[58] Field of Search **D7/619-622, D7/701; D3/40; D6/500-503, 510-511; 211/71, 74, 75; 224/42.45 R, 42.43; 248/311.2, 214; 297/194**

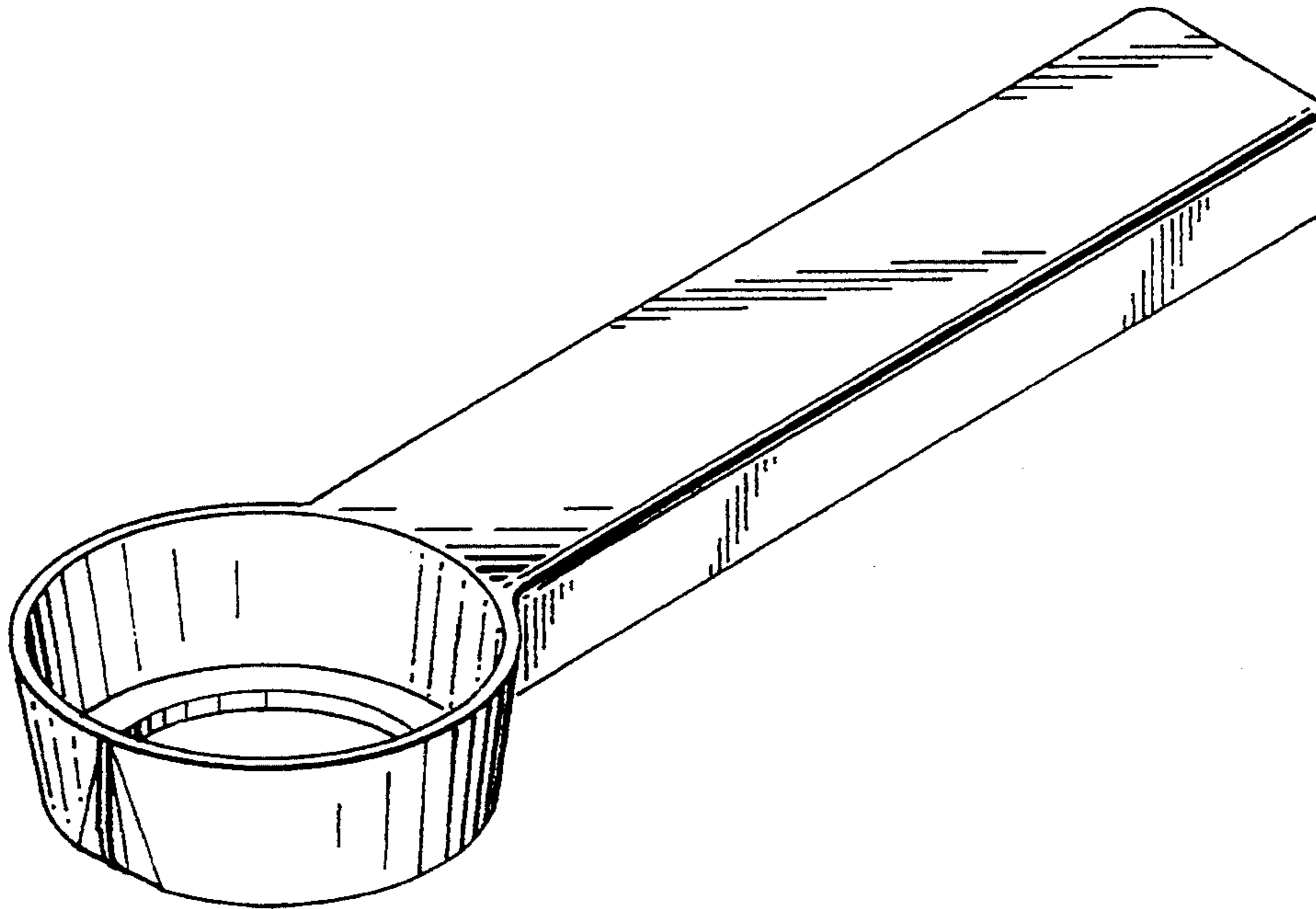
DESCRIPTION

[56] References Cited

U.S. PATENT DOCUMENTS

2,704,114 3/1955 Williams 155/112

FIG. 1 is a perspective view of a collapsible cupholder armrest showing our new design; FIG. 2 is a top plan view thereof; FIG. 3 is a front elevational view thereof; FIG. 4 is a side view thereof; FIG. 5 is a rear elevational view thereof; and, FIG. 6 is a bottom plan view thereof.



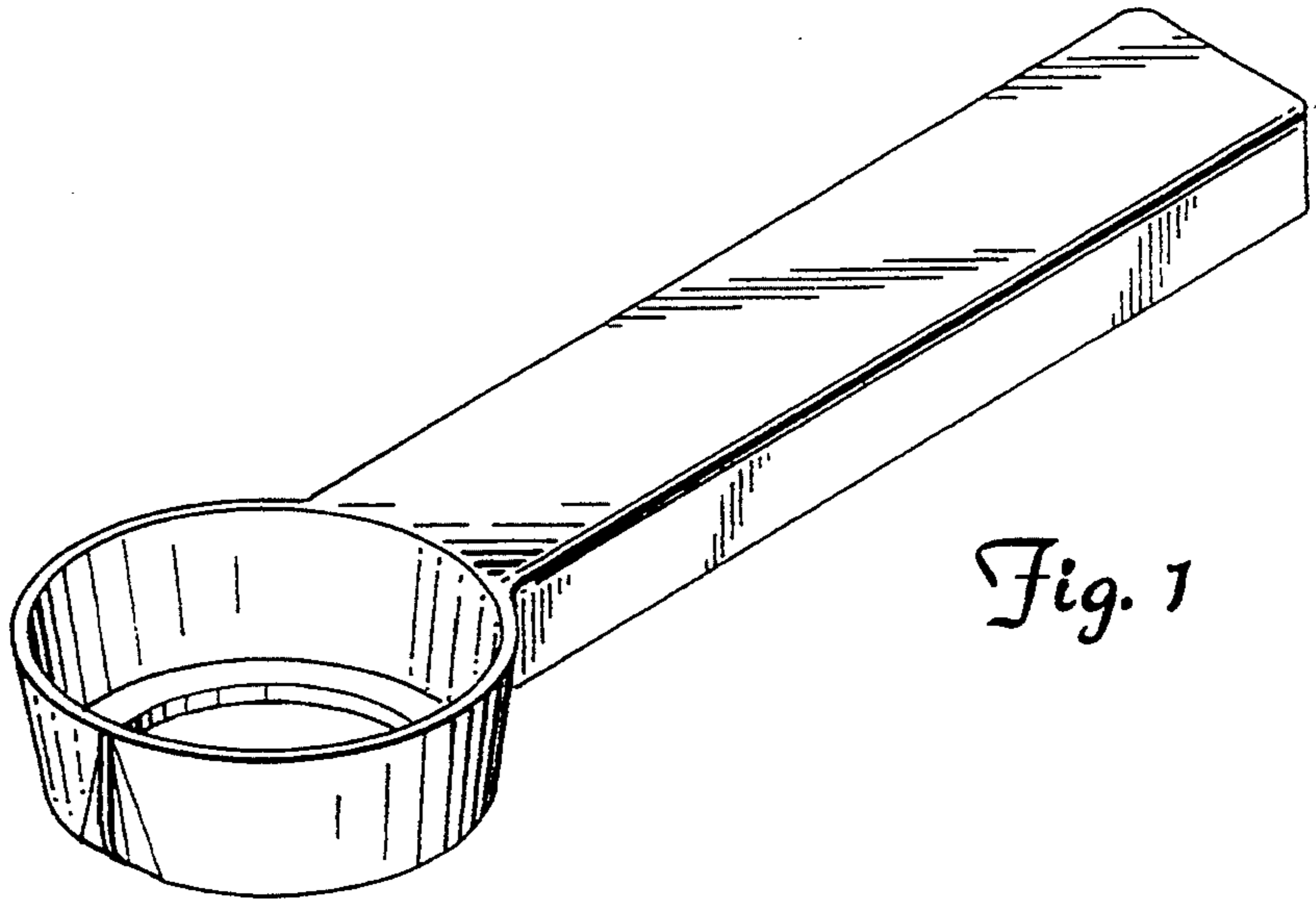


Fig. 1

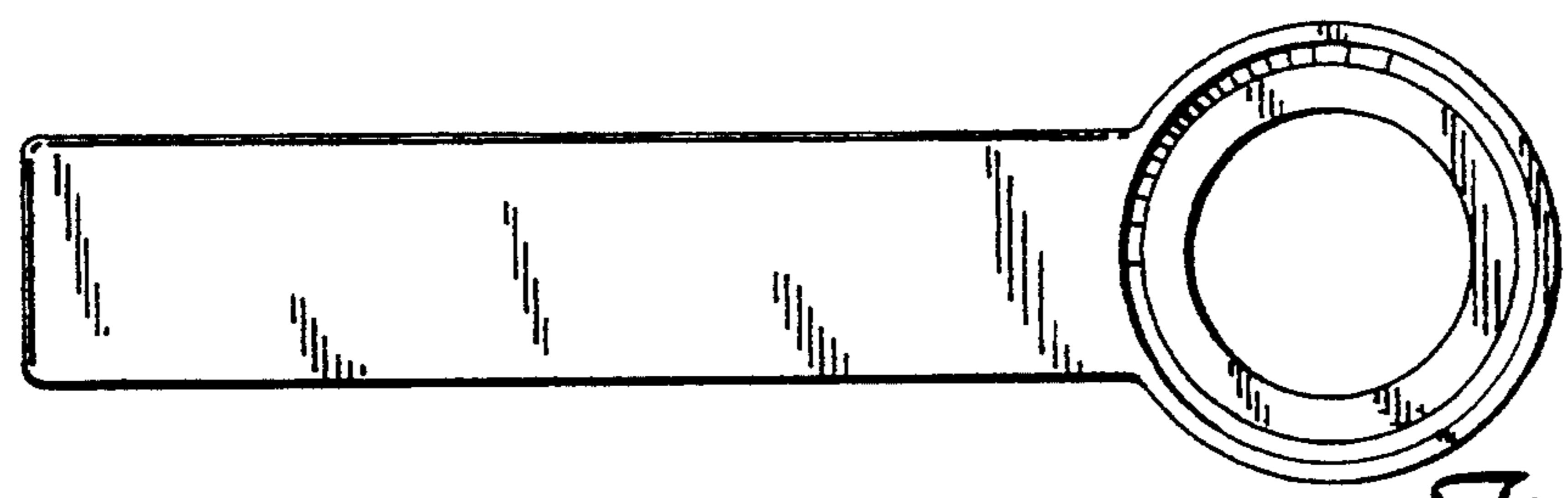


Fig. 2



Fig. 3

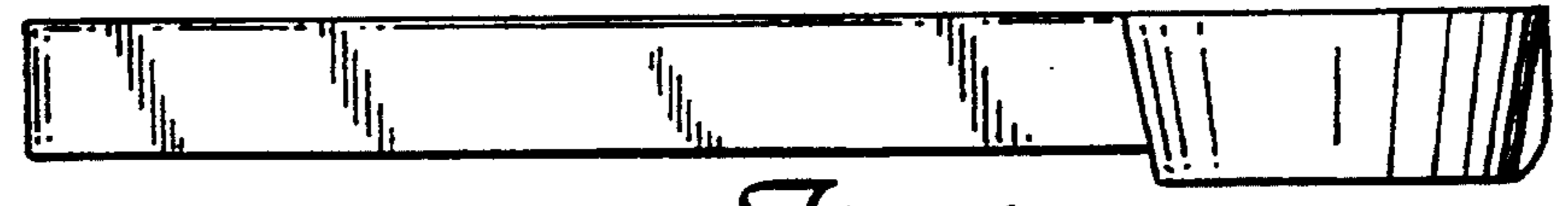


Fig. 4



Fig. 5

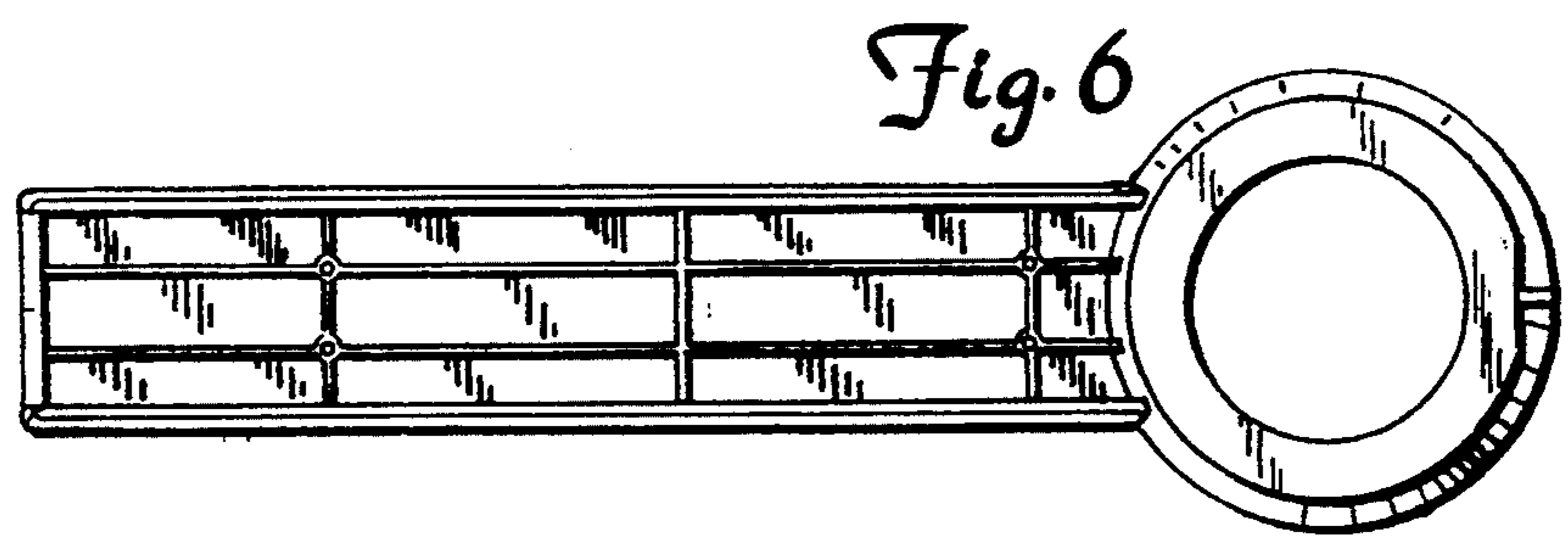


Fig. 6