



US00D353287S

United States Patent [19] Hemberger

[11] Patent Number: **Des. 353,287**

[45] Date of Patent: **** Dec. 13, 1994**

[54] **PEDESTAL BASE FOR A WORK TABLE**

[76] Inventor: **Dale M. Hemberger**, 319 Clifton Ave., Sheboygan, Wis. 53083

[**] Term: **14 Years**

[21] Appl. No.: **11,000**

[22] Filed: **Jul. 22, 1993**

[52] U.S. Cl. **D6/495; D6/499**

[58] Field of Search **D6/480-489, D6/495, 429; 108/144, 147, 150, 153, 161**

[56] **References Cited**

U.S. PATENT DOCUMENTS

- D. 168,524 12/1952 Thomas D6/486
- D. 296,851 7/1988 Kelley D6/486
- 3,608,462 9/1971 Grosbong 108/147 X
- 4,711,184 12/1987 Wallin et al. 108/144

Primary Examiner—Janice E. Seeger

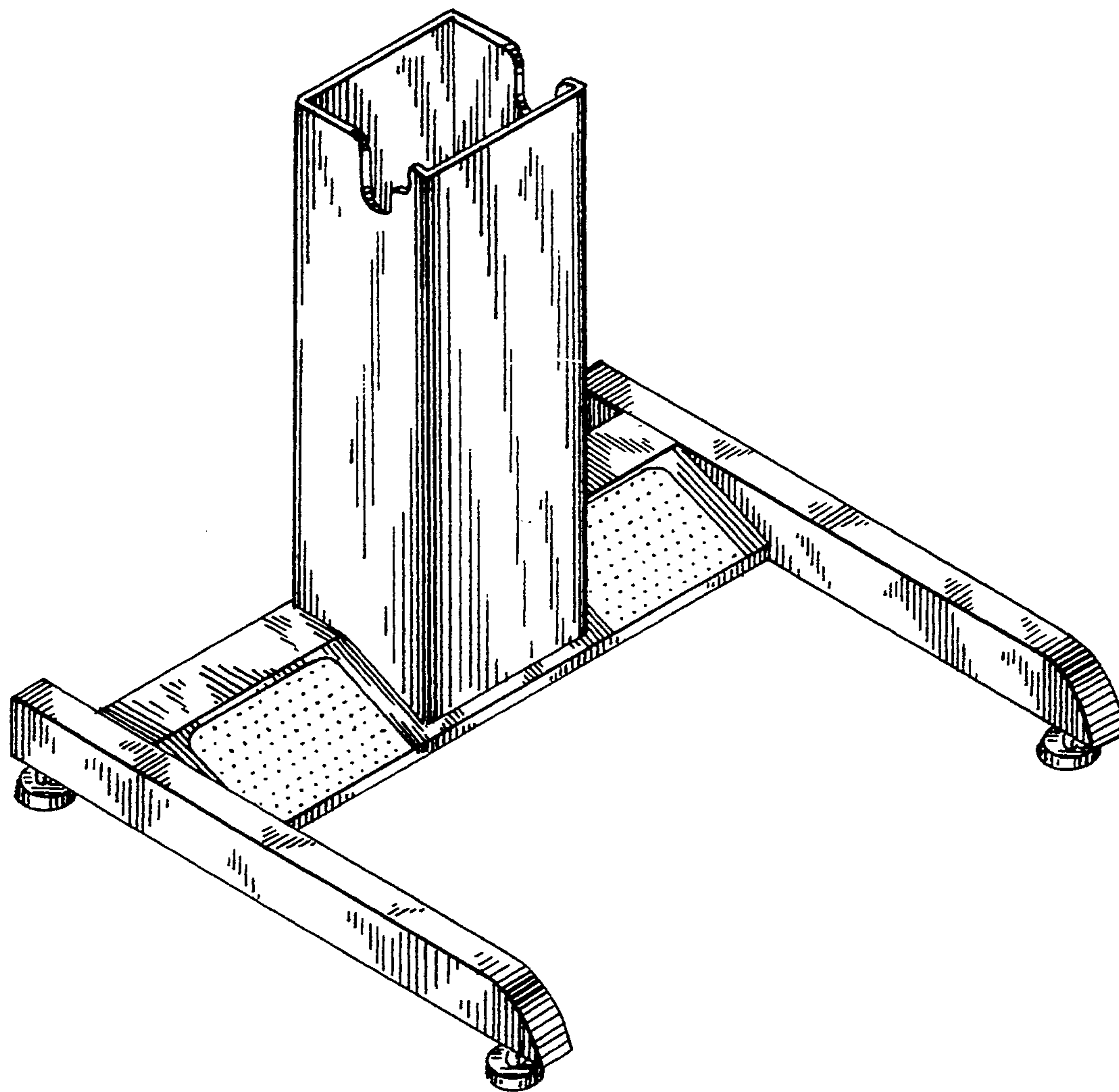
Attorney, Agent, or Firm—Andrus, Scales, Starke & Sawall

[57] **CLAIM**

The ornamental design for a pedestal base for a work table, as shown and described.

DESCRIPTION

FIG. 1 is front perspective view of a pedestal base for a work table showing my new design;
 FIG. 2 is a left side elevational view, the right side being a mirror image thereof; the broken lines are for environmental purposes only and form no part of the claimed design;
 FIG. 3 is a front elevational view thereof;
 FIG. 4 is a rear elevational view thereof;
 FIG. 5 is a top plan view thereof;
 FIG. 6 is a front perspective view of another embodiment of FIG. 1; and,
 FIG. 7 is a front perspective view of a further embodiment of FIG. 1.



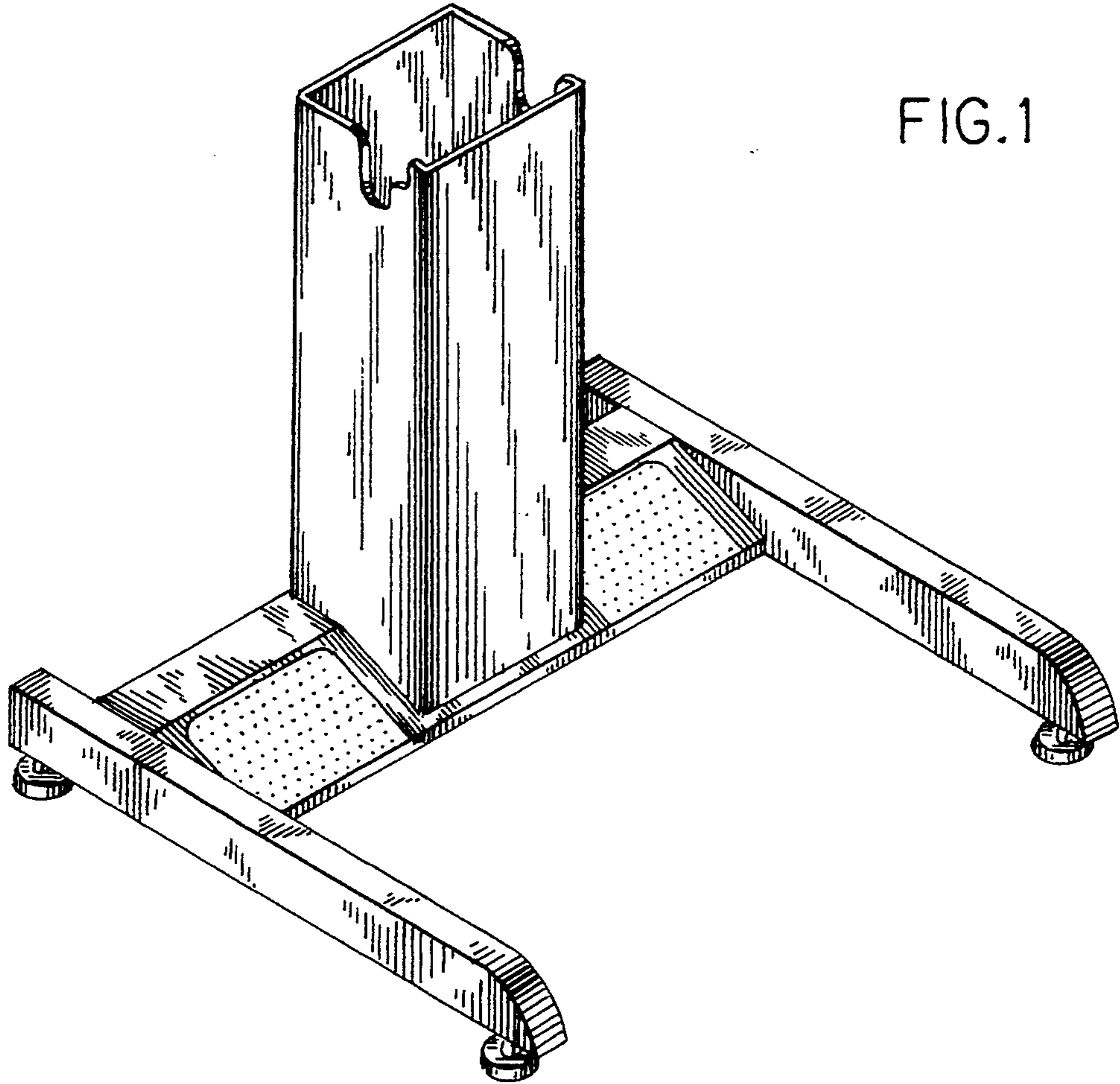


FIG. 1

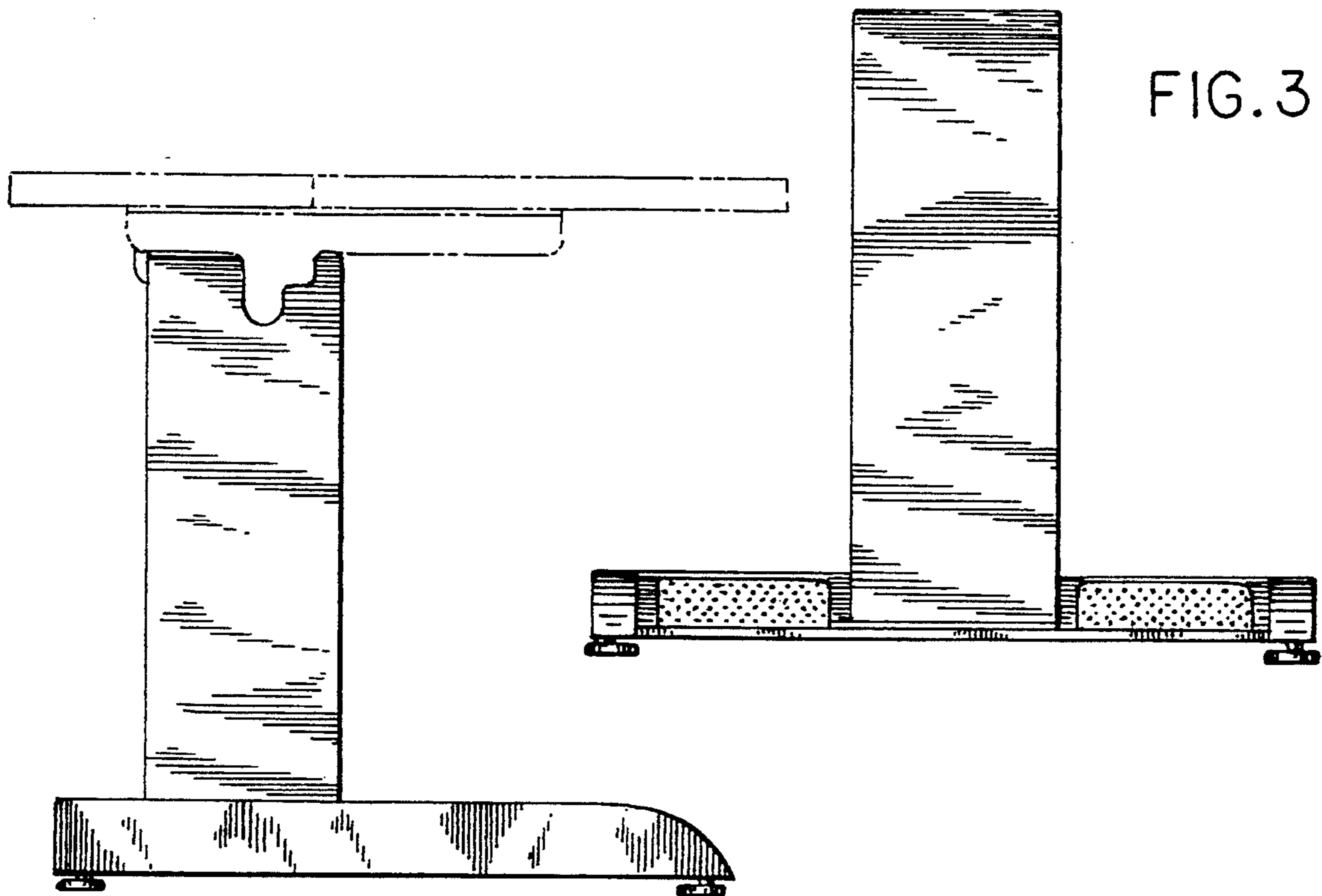
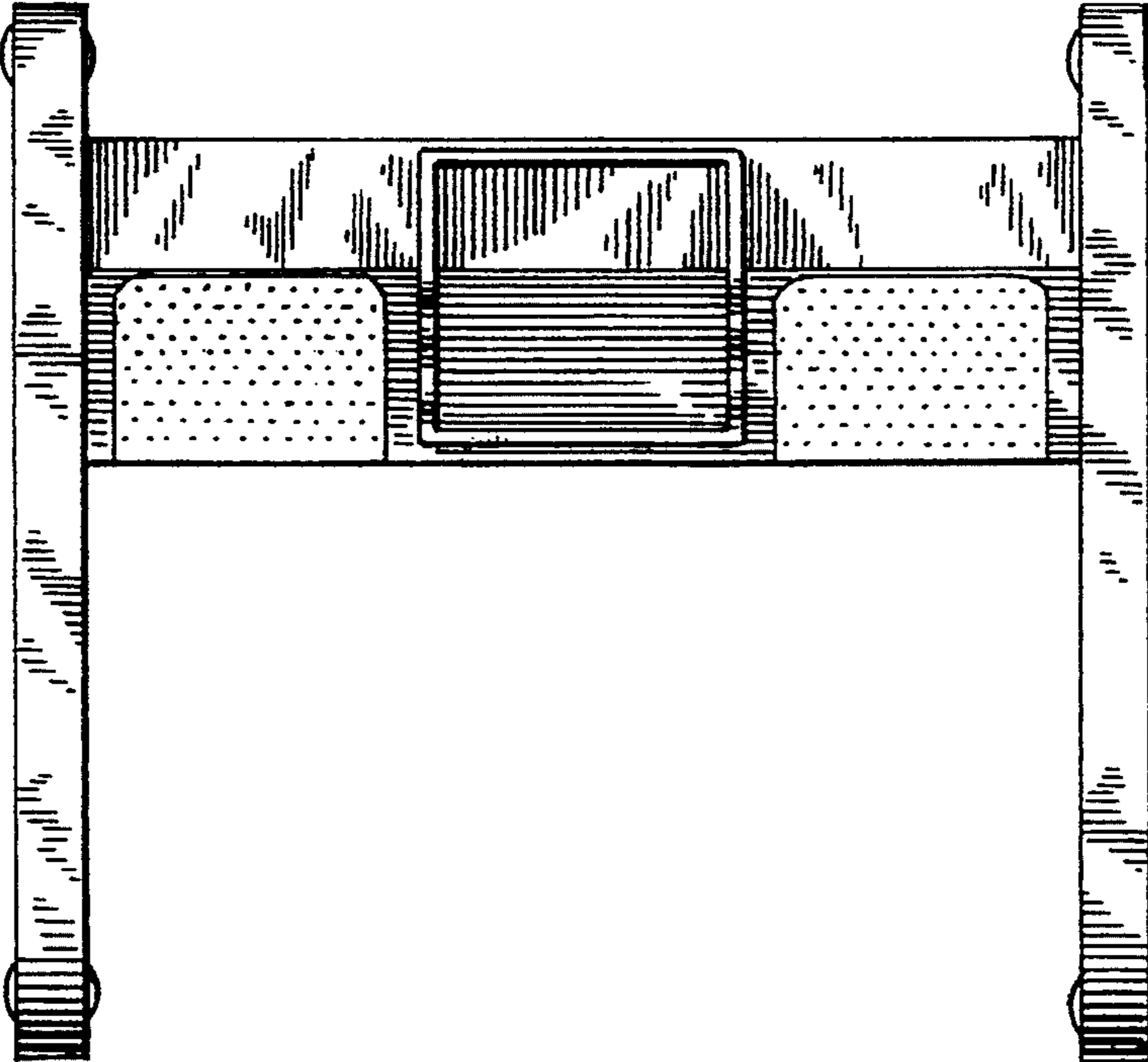
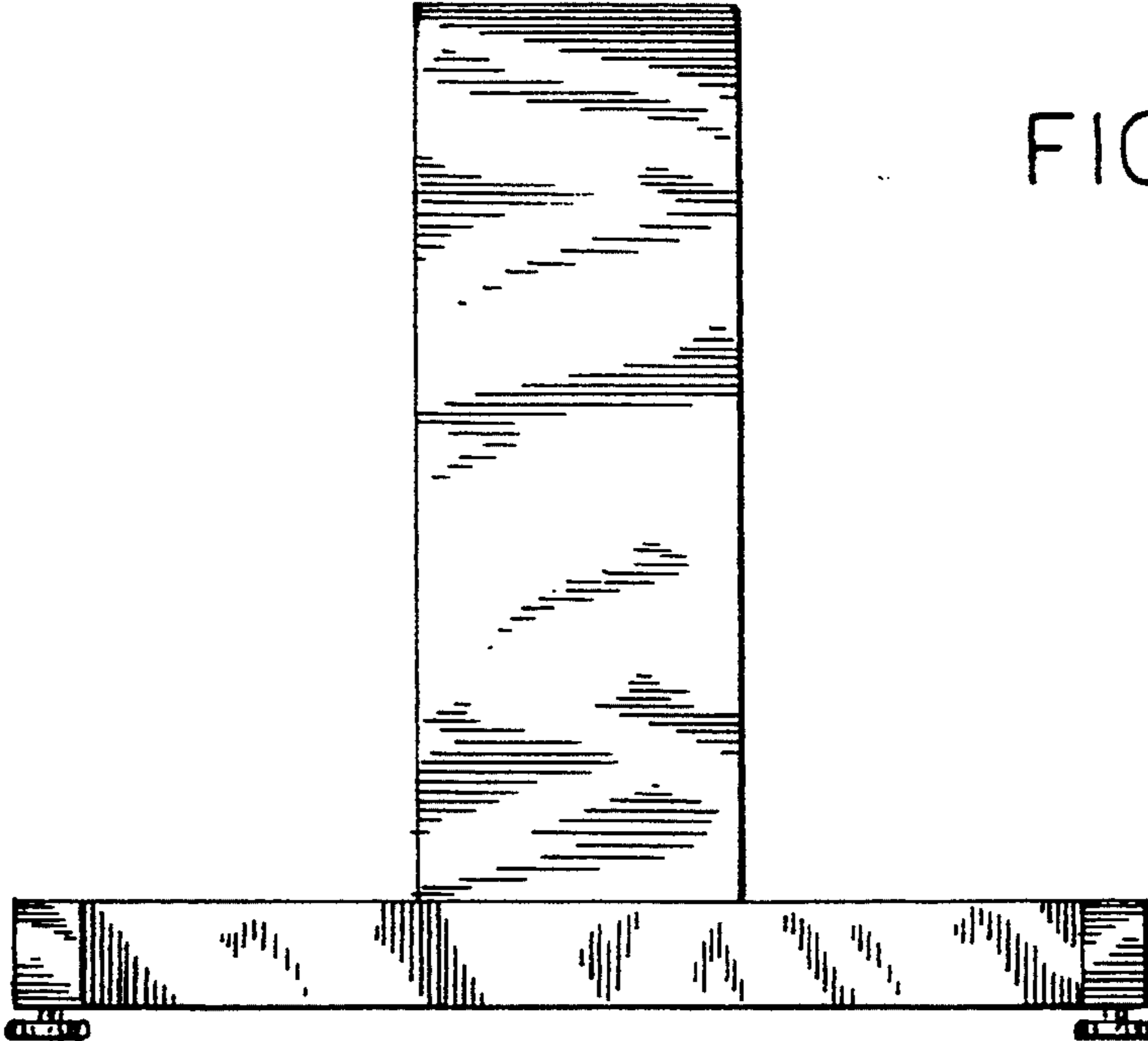


FIG. 3

FIG. 2



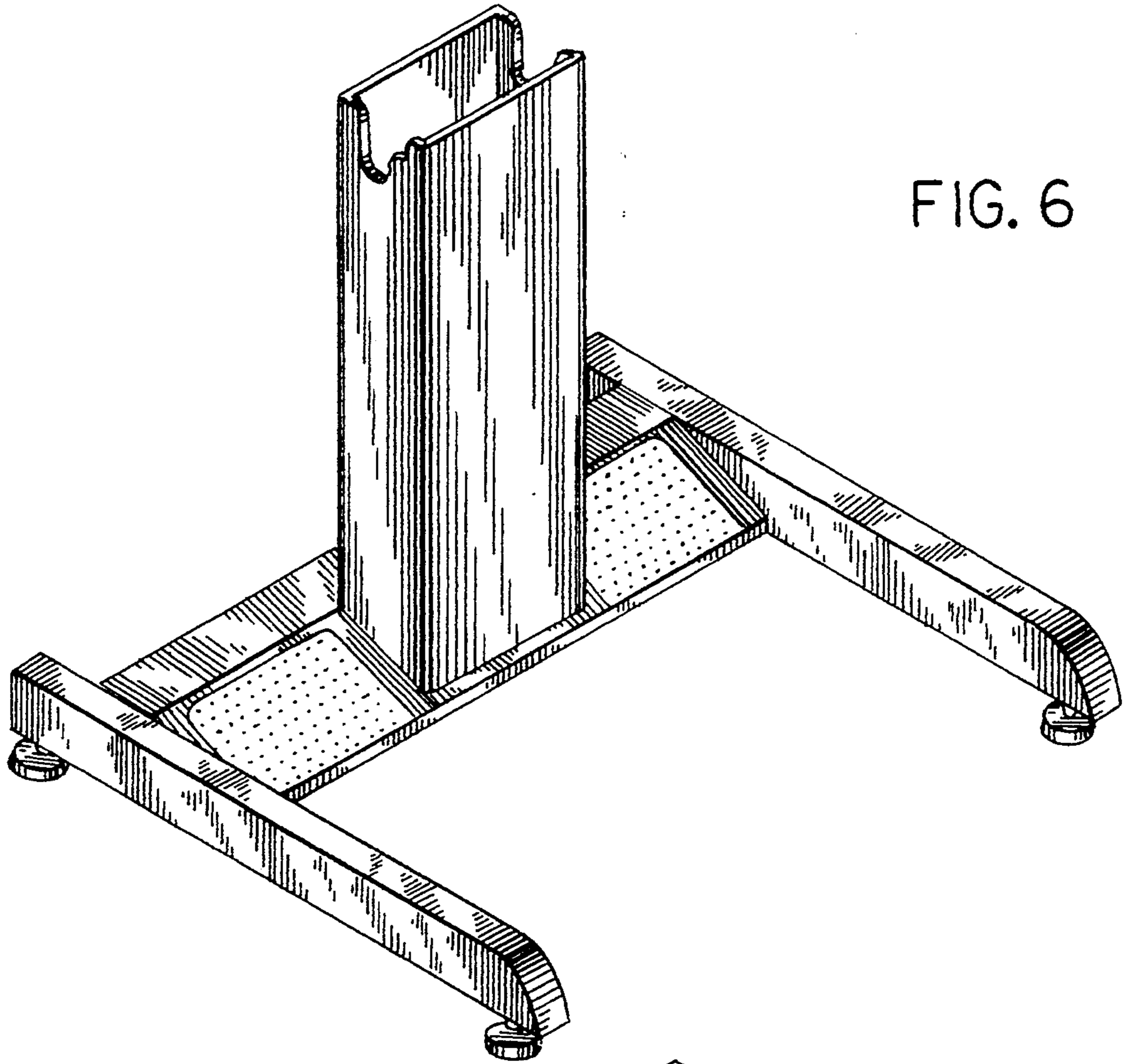


FIG. 6

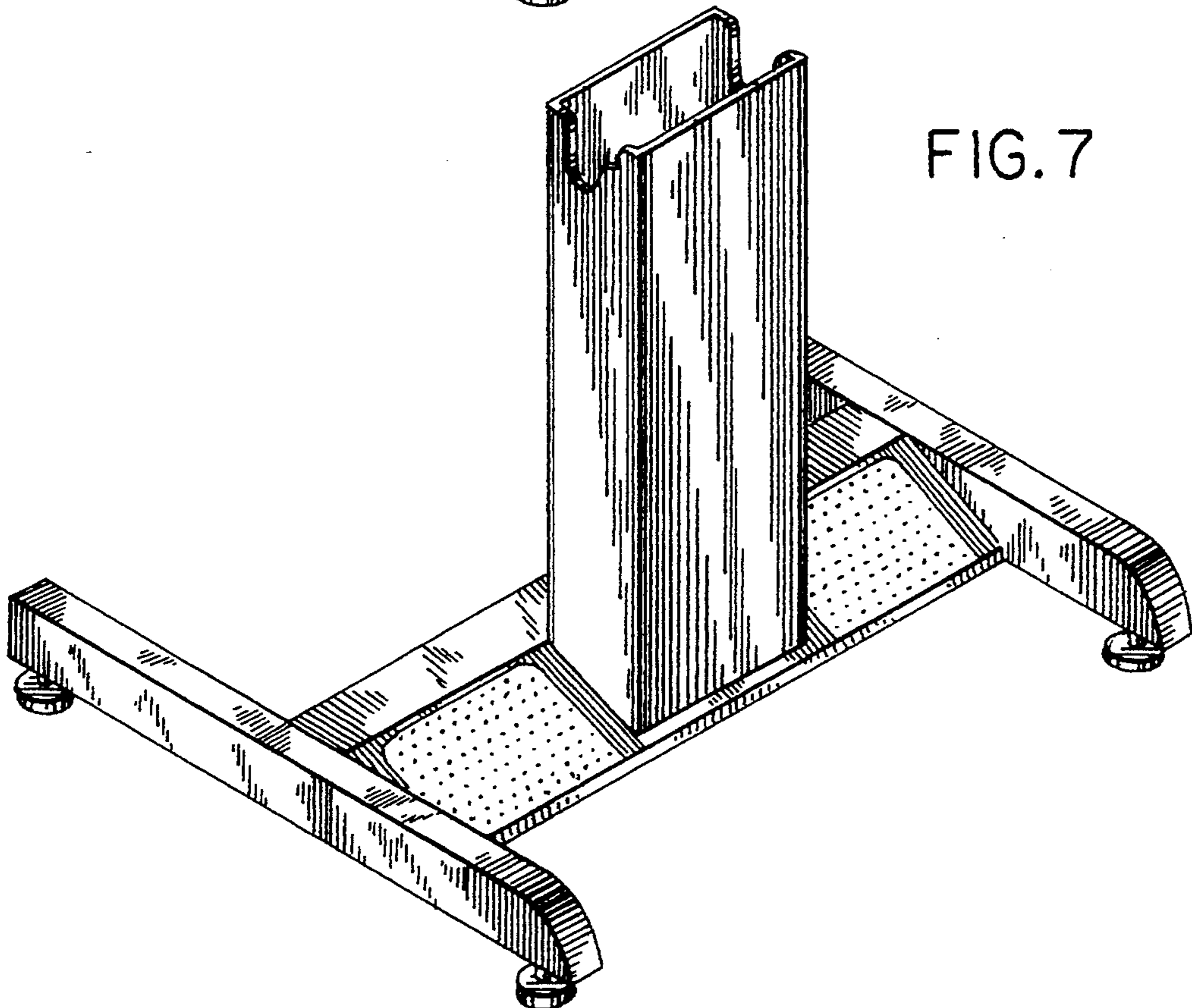


FIG. 7