



US00D353285S

United States Patent [19]

[11] Patent Number: **Des. 353,285**

Spirk, Jr. et al.

[45] Date of Patent: **** Dec. 13, 1994**

[54] **STORAGE UNIT**

5,054,625 10/1991 Foley 211/13
5,085,327 2/1992 Mercer, Jr. et al. 211/13

[75] Inventors: **John W. Spirk, Jr.**, Moreland Hills;
Kenneth D. Temple, Twinsburg, both
of Ohio

OTHER PUBLICATIONS

Pp. 2 & 3, Shelf Cabinets; Holbrook, P.O. Box 447,
Coldwater, Mich. 49036; Publication Date 1990.
Catalog Page, Bookcase; The Little Tikes Company,
2180 Barlow Rd., Hudson, Ohio 44236; Publication
Date 1990.

[73] Assignee: **The Little Tikes Company**, Hudson,
Ohio

[**] Term: **14 Years**

Primary Examiner—Alan P. Douglas
Assistant Examiner—S. Snapp
Attorney, Agent, or Firm—Richard B. O’Planick; Lisa B.
Riedesel

[21] Appl. No.: **252**

[22] Filed: **Oct. 9, 1992**

[52] U.S. Cl. **D6/467**

[58] Field of Search D6/449, 450, 451, 466,
D6/467, 475; 211/13, 22, 133, 49.1, 28

[57] **CLAIM**

The ornamental design for a storage unit, as shown and
described.

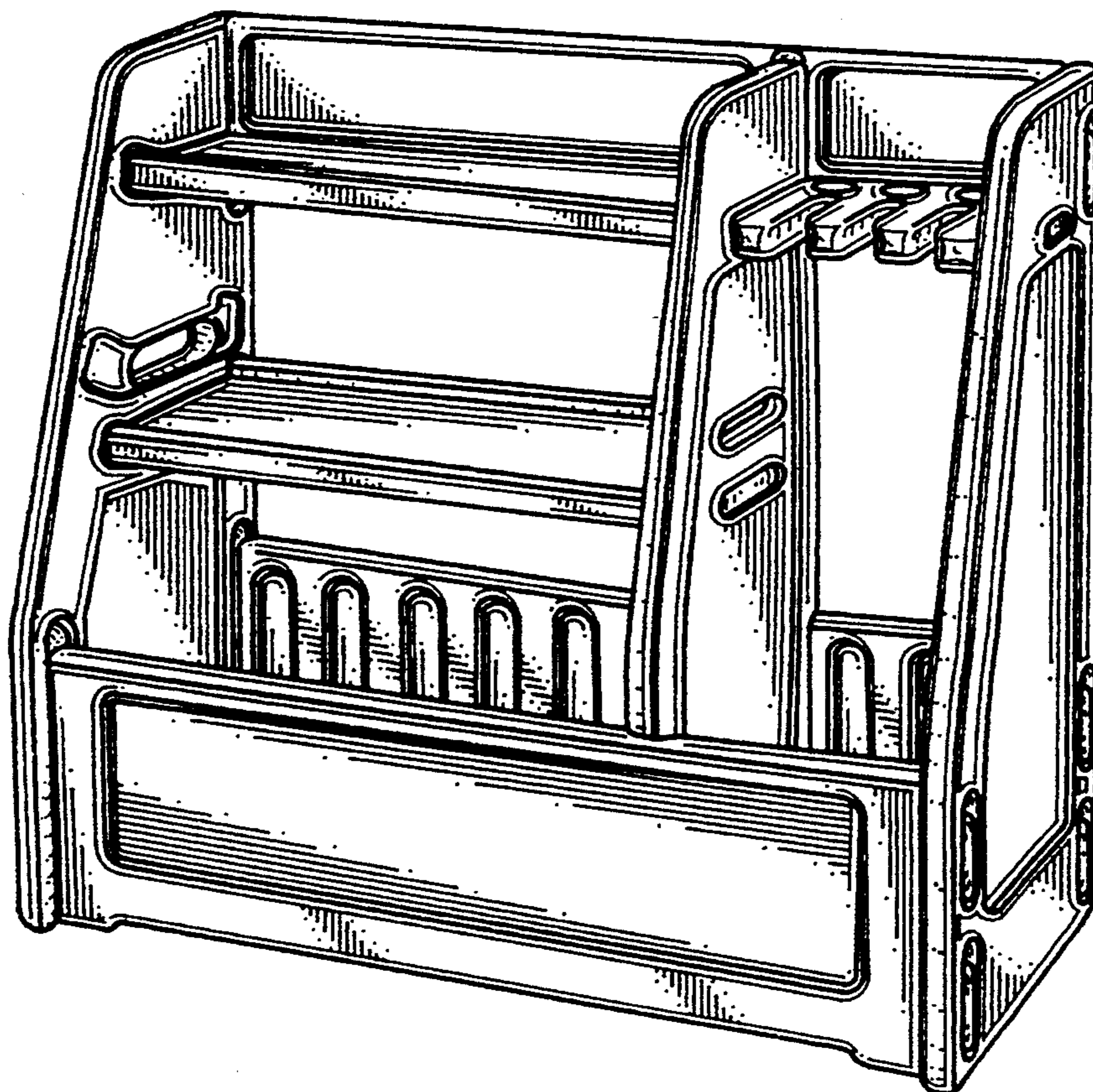
[56] **References Cited**

U.S. PATENT DOCUMENTS

D. 162,207	2/1951	Mettenleites	D6/467
D. 203,638	2/1966	Metzler	D6/468
D. 245,744	9/1977	Brooks	D6/186
D. 249,618	6/1978	Oxenhandler	D6/186
D. 330,652	11/1992	Goetz	D6/477
2,688,408	9/1954	Binggely	211/13
3,115,971	12/1963	Dew	211/13
4,430,947	2/1984	Kvame	108/111
4,519,511	5/1985	Mendenhall	211/187

DESCRIPTION

FIG. 1 is a top right front perspective view of a storage
unit showing our new design;
FIG. 2 is a left side elevational view thereof;
FIG. 3 is a right side elevational view thereof;
FIG. 4 is a front elevational view thereof;
FIG. 5 is a rear elevational view thereof;
FIG. 6 is a top plan view thereof; and,
FIG. 7 is a bottom plan view thereof.



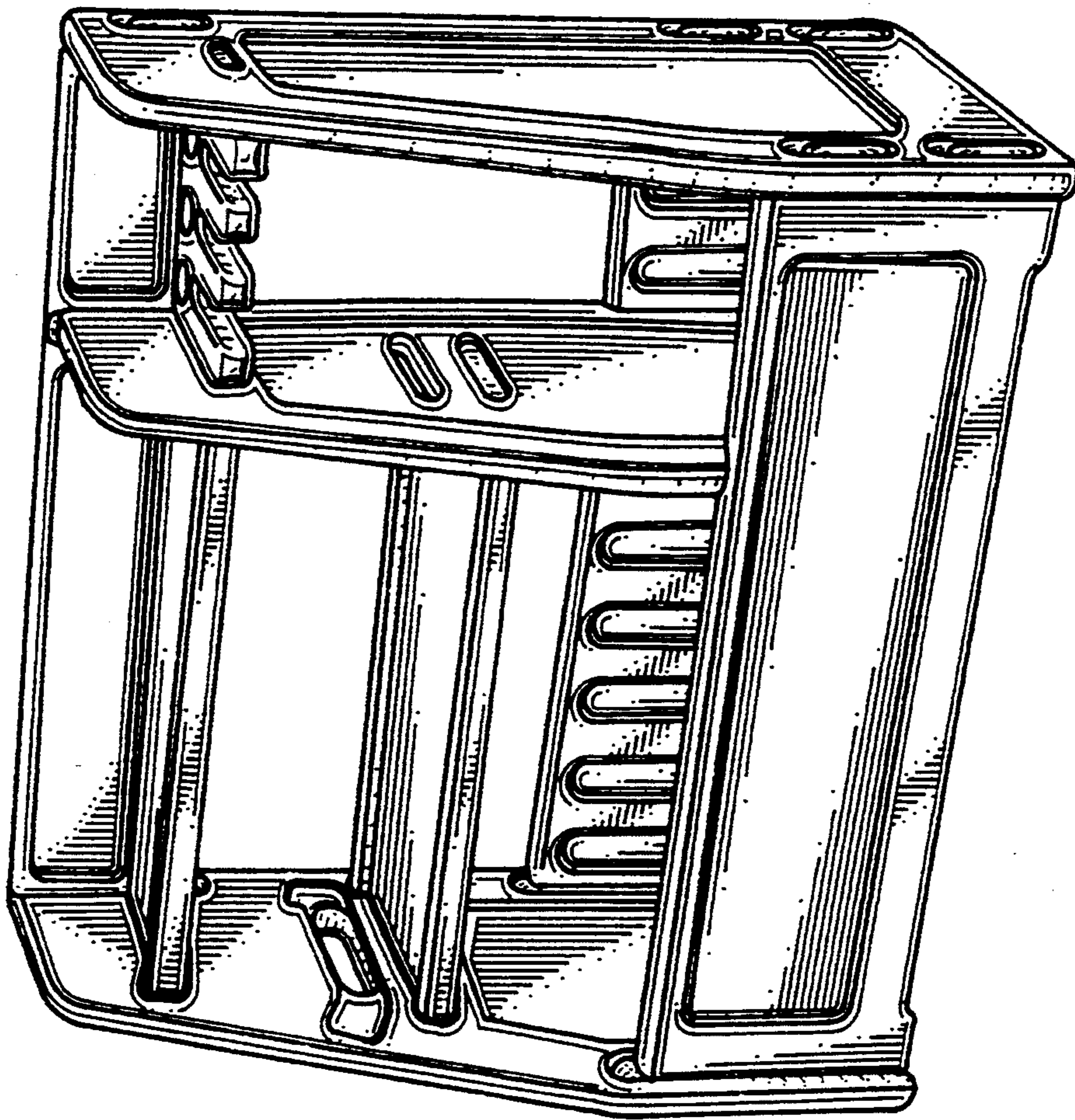


FIG. 1

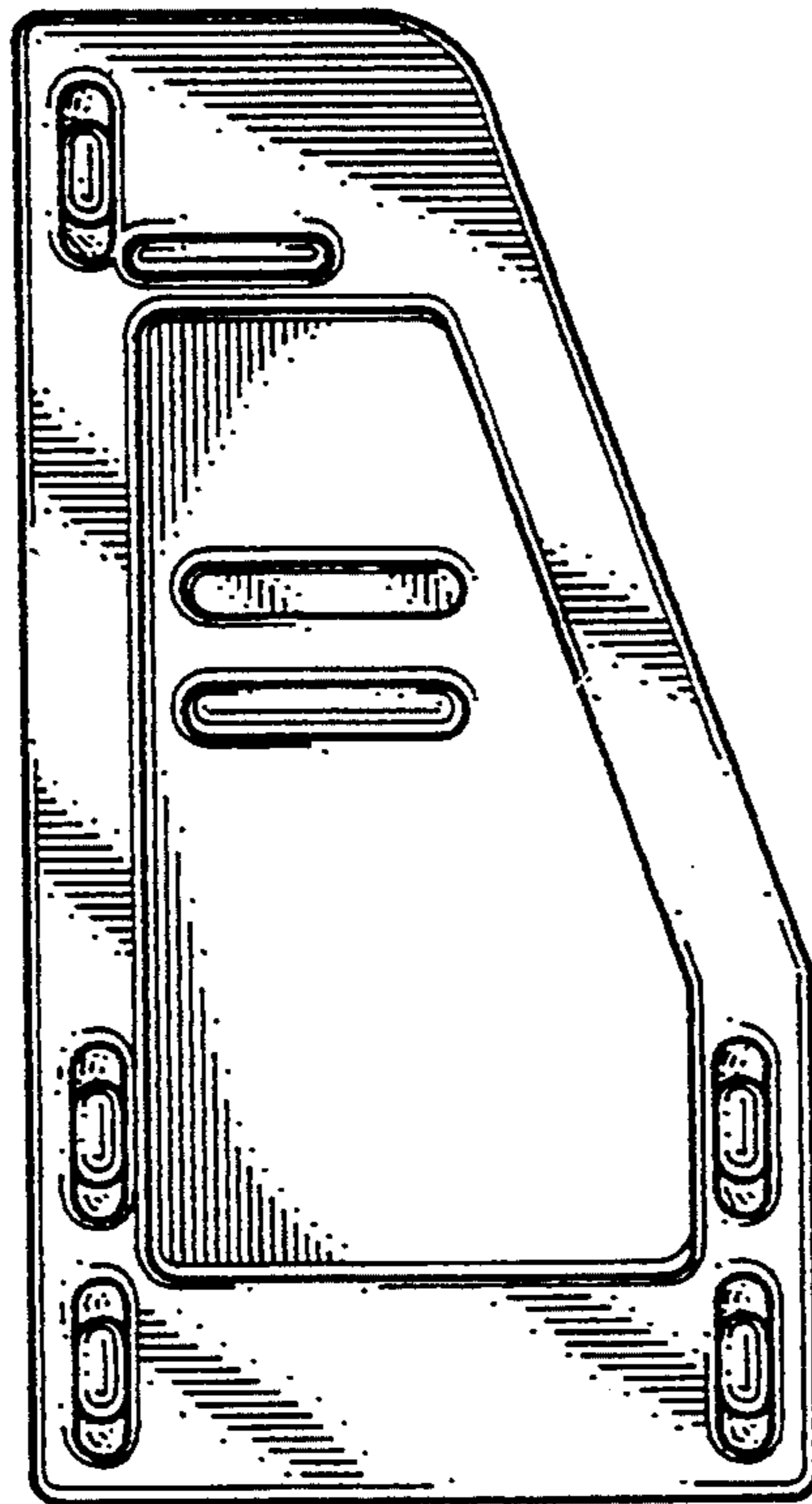


FIG. 2

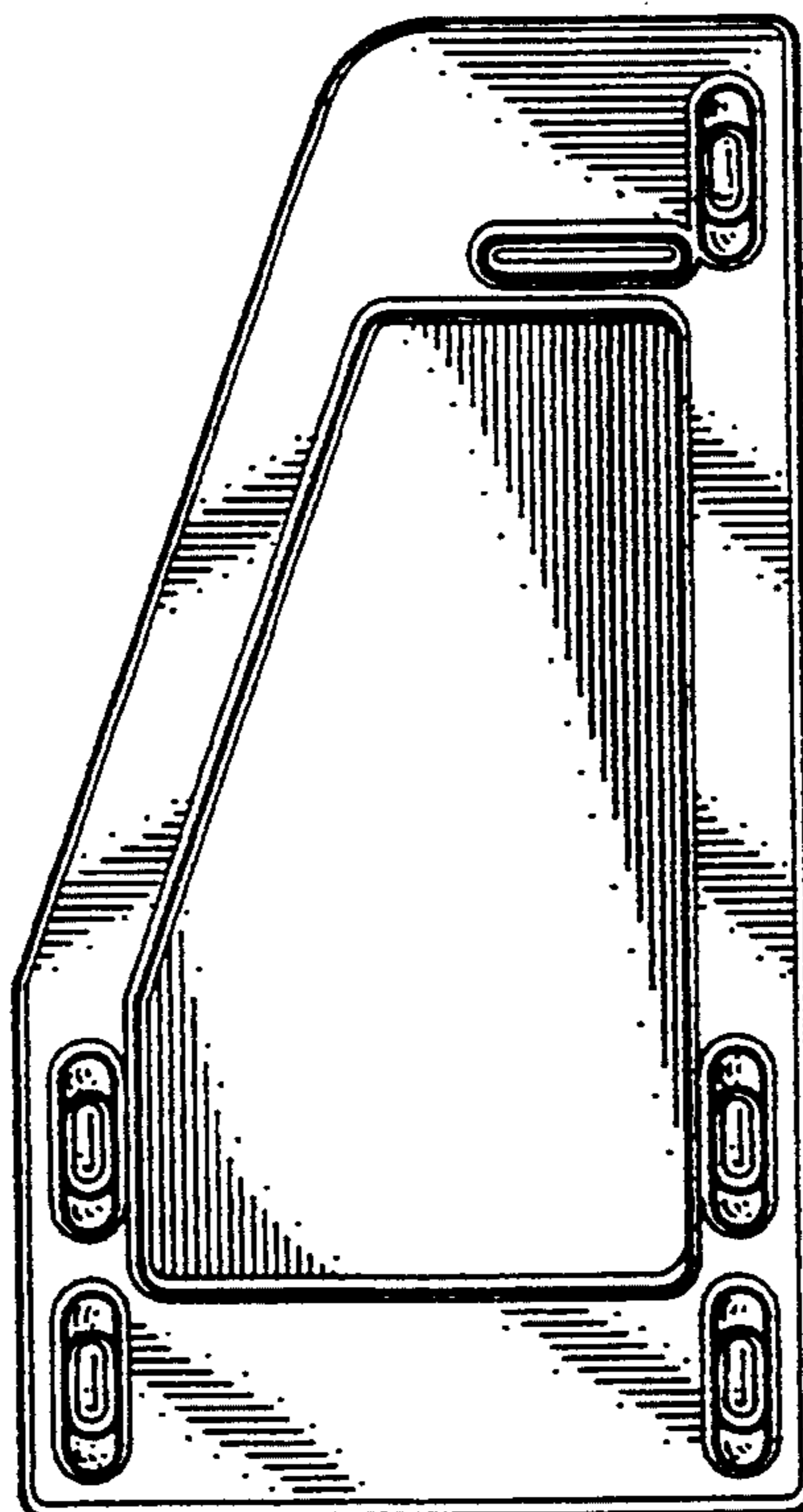


FIG. 3

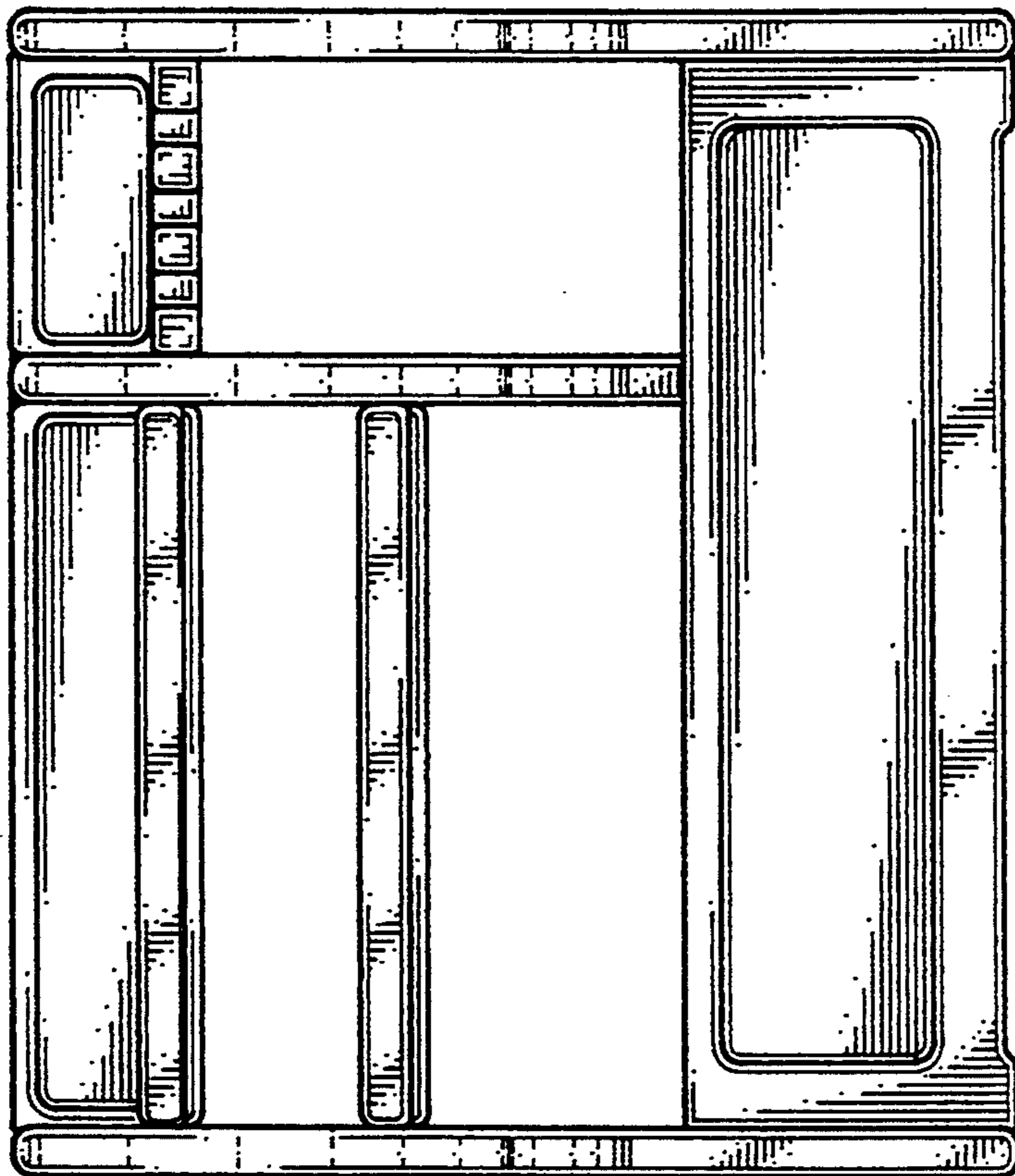


FIG. 4

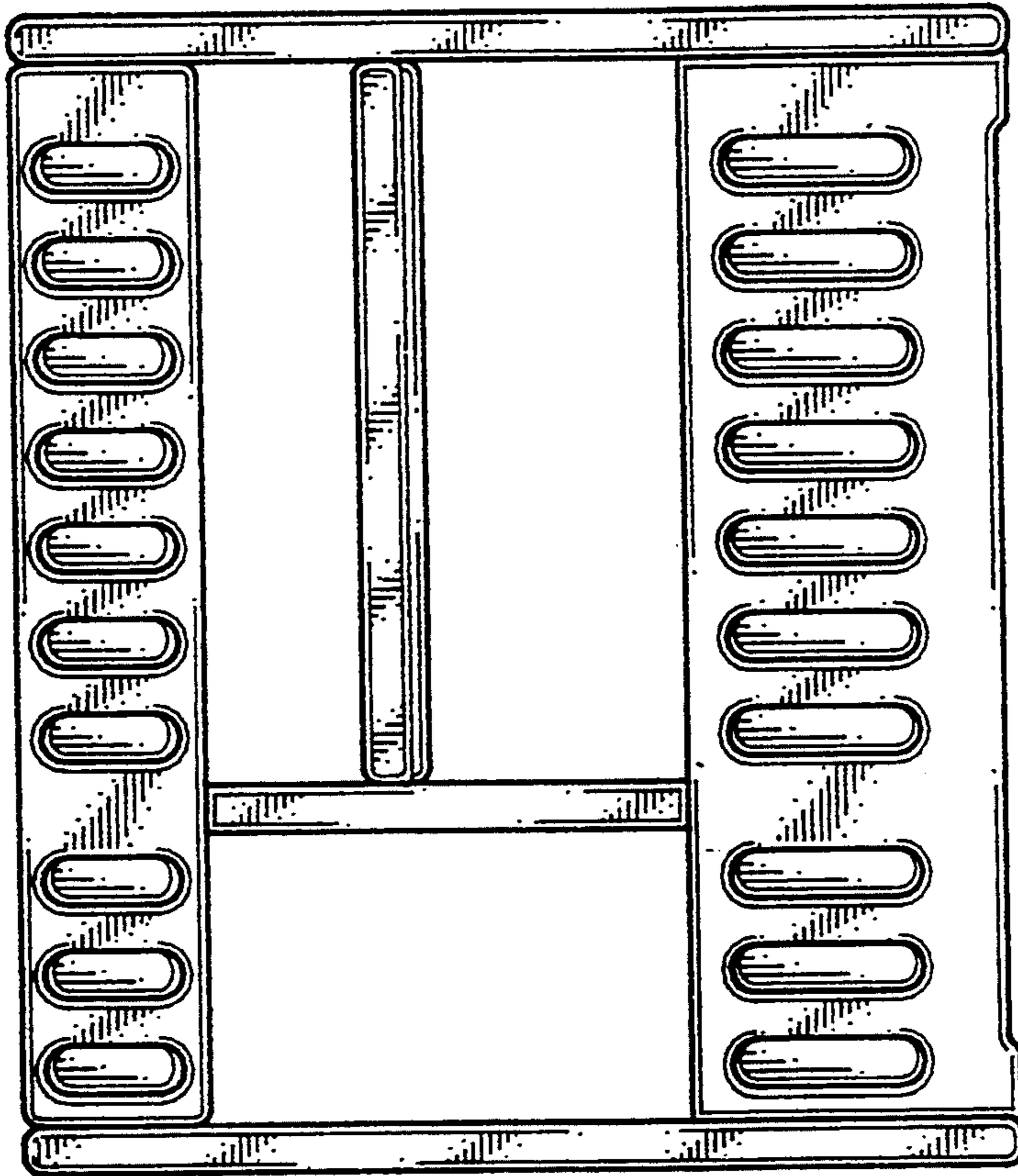


FIG. 5

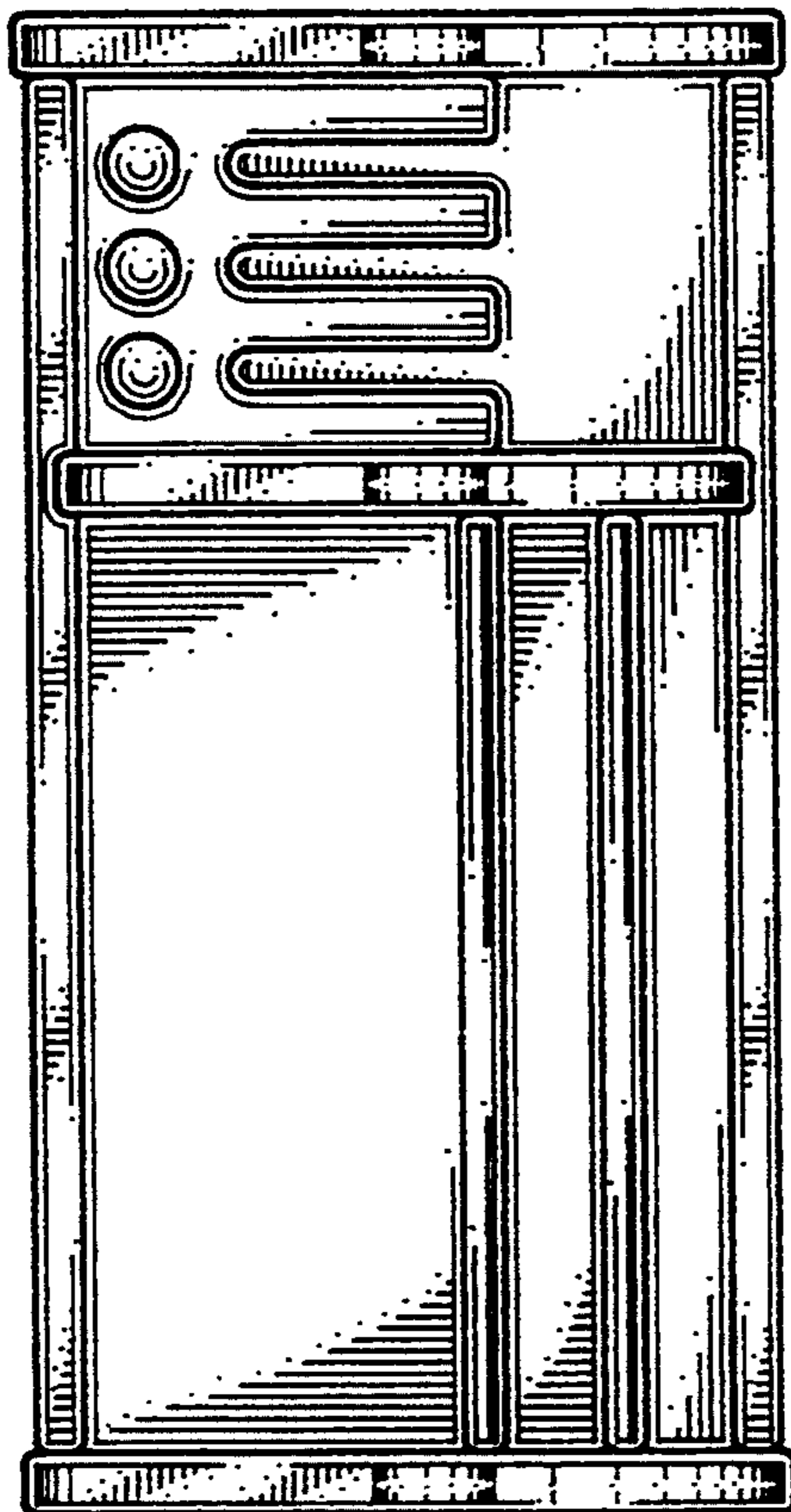


FIG. 6

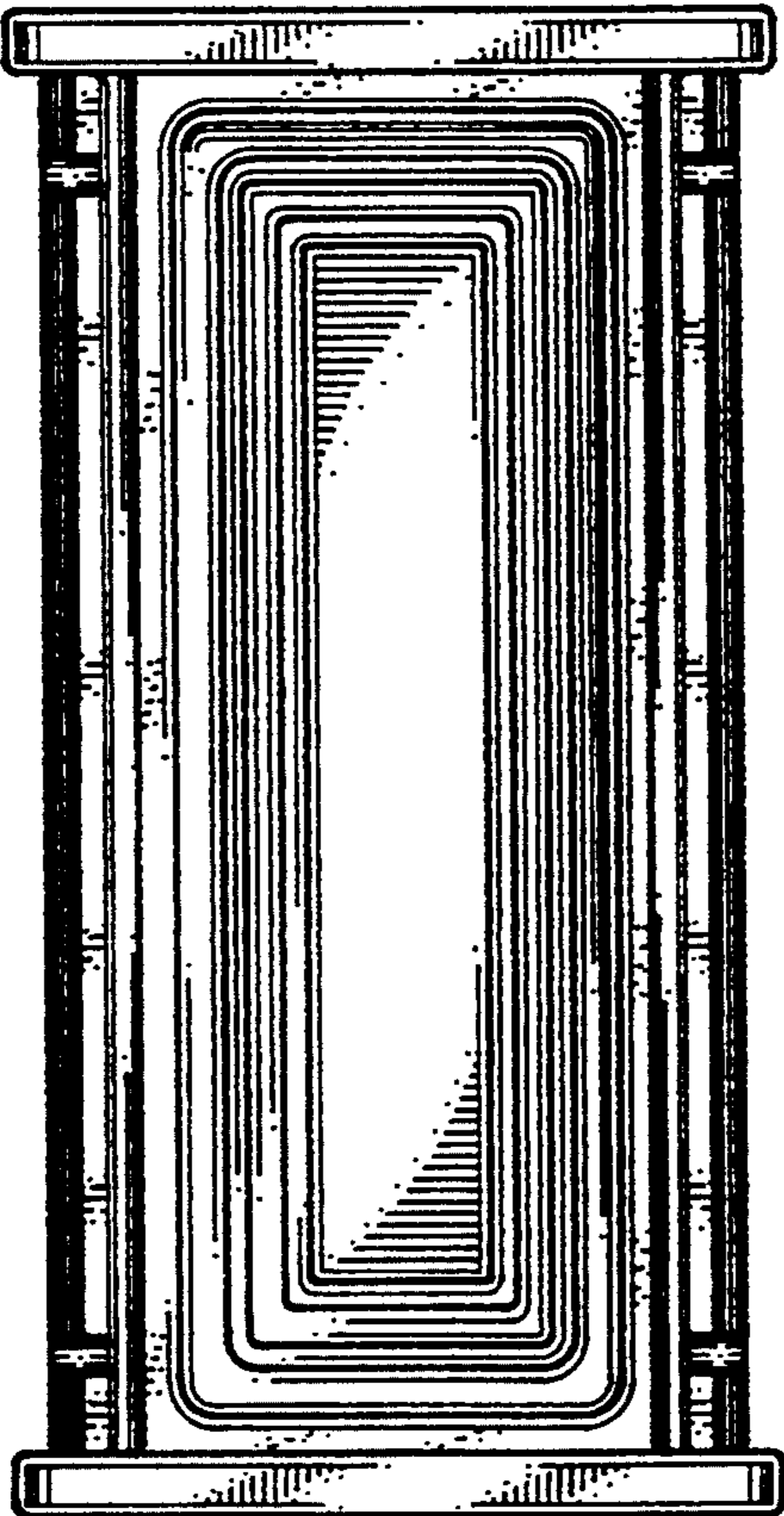


FIG. 7

UNITED STATES PATENT AND TRADEMARK OFFICE
CERTIFICATE OF CORRECTION

PATENT NO. : Des 353,285
DATED : December 13, 1994
INVENTOR(S) : John W. Spirk, Jr., et al

It is certified that error appears in the above-identified patent and that said Letters Patent is hereby corrected as shown below:

On the title page item [75], insert --John R. Nottingham, Chagrin Falls-- and;
change "both" to --all--

Signed and Sealed this
Twenty-first Day of February, 1995

Attest:



BRUCE LEHMAN

Attesting Officer

Commissioner of Patents and Trademarks