



US00D353278S

United States Patent [19]
Weaver

[11] **Patent Number: Des. 353,278**
[45] **Date of Patent: ** Dec. 13, 1994**

[54] **DESK**
[76] **Inventor: Stephen D. Weaver, 1018 W. Morris Ave., Modesto, Calif. 95350**
[**] **Term: 14 Years**
[21] **Appl. No.: 732,687**
[22] **Filed: Jul. 19, 1991**
[52] **U.S. Cl. D6/422; D6/451**
[58] **Field of Search D6/422-428, D6/450-453; 312/204, 194-196**

D. 304,396 11/1989 Pitchersky et al. D6/451

Primary Examiner—Alan P. Douglas
Assistant Examiner—Jeffrey Asch
Attorney, Agent, or Firm—Joseph E. Gerber

[57] **CLAIM**

The ornamental design for a desk, as shown.

DESCRIPTION

FIG. 1 is a front perspective view of desk showing my new design;

FIG. 2 is a top plan view thereof;

FIG. 3 is a front elevational view thereof;

FIG. 4 is a bottom plan view thereof;

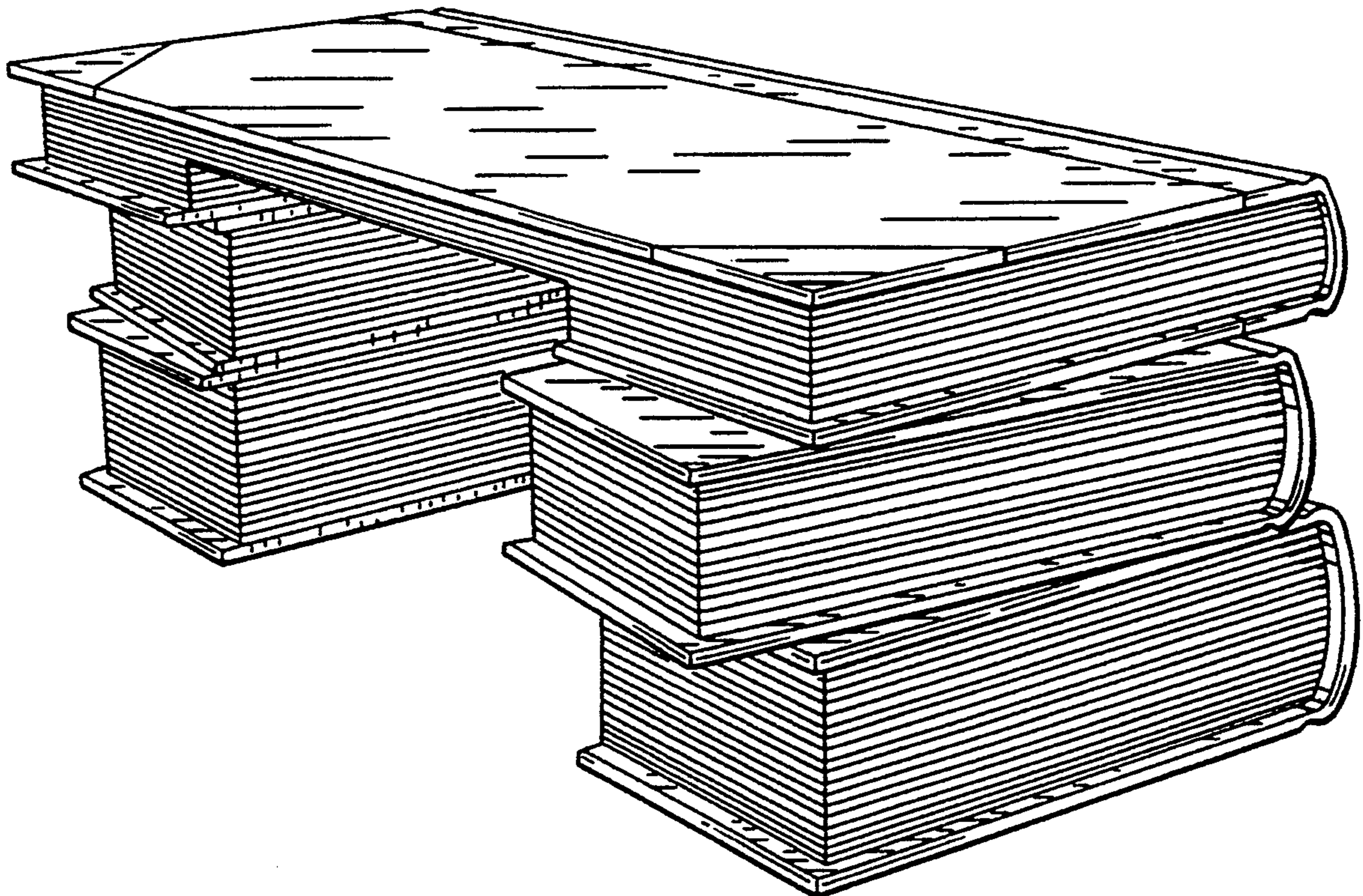
FIG. 5 is a rear elevational view thereof;

FIG. 6 is a right side elevational view thereof; and,

FIG. 7 is a left side elevational view thereof.

[56] **References Cited**
U.S. PATENT DOCUMENTS

D. 43,164 10/1912 Russell D6/450
D. 187,572 3/1960 Eisenberg D6/450
D. 228,713 10/1973 Lindvall D6/451



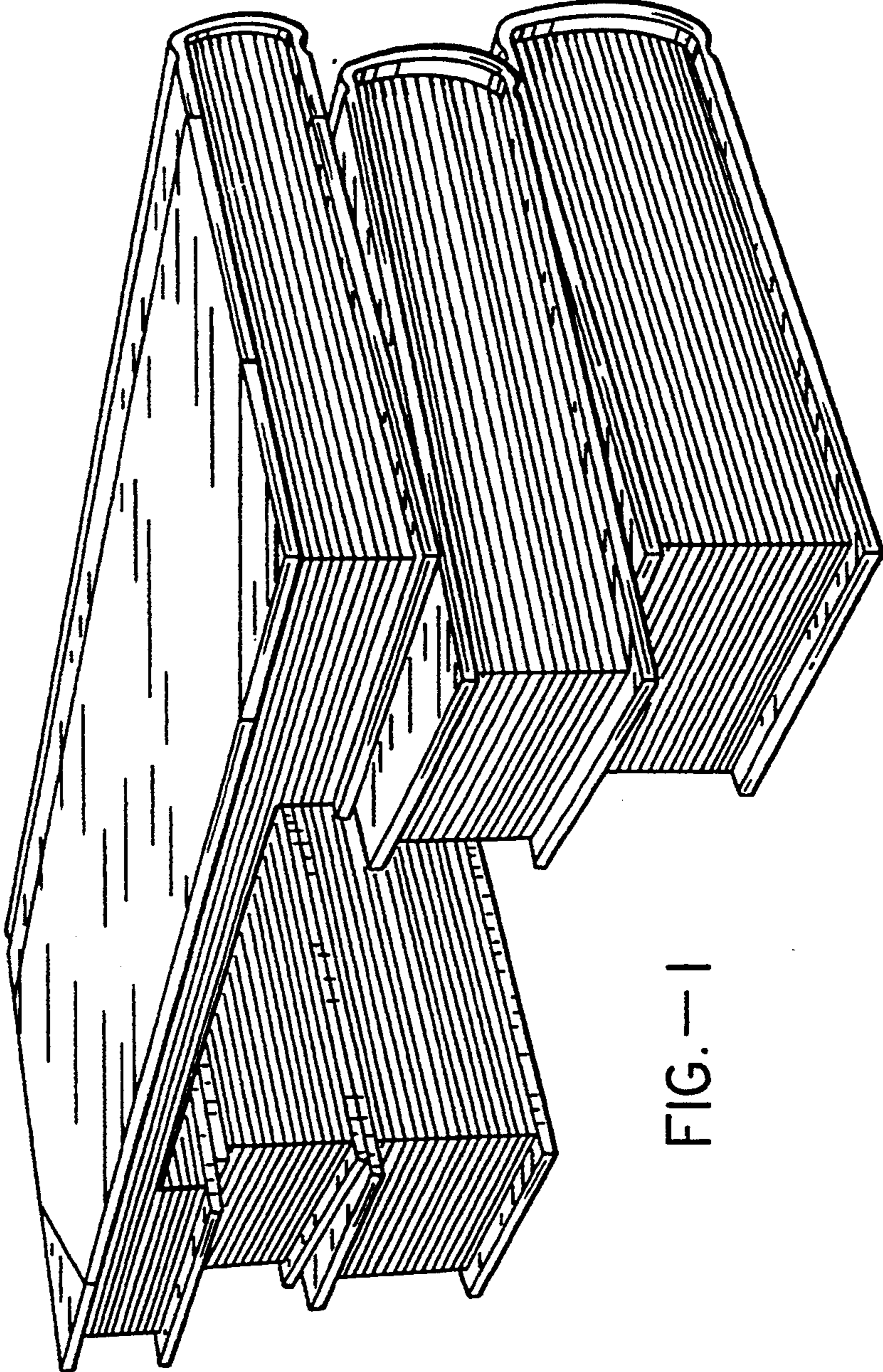


FIG. - I

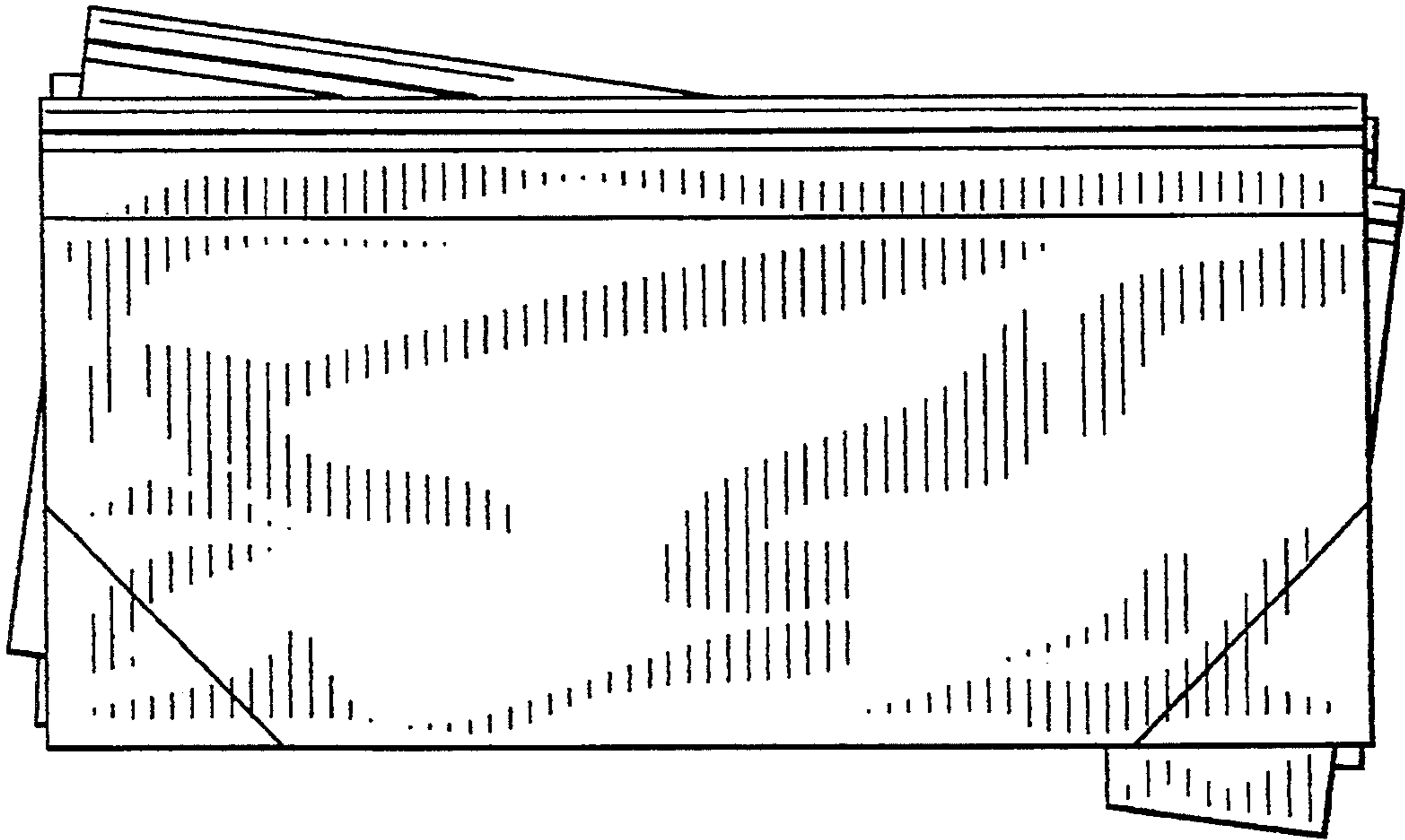


FIG. - 2

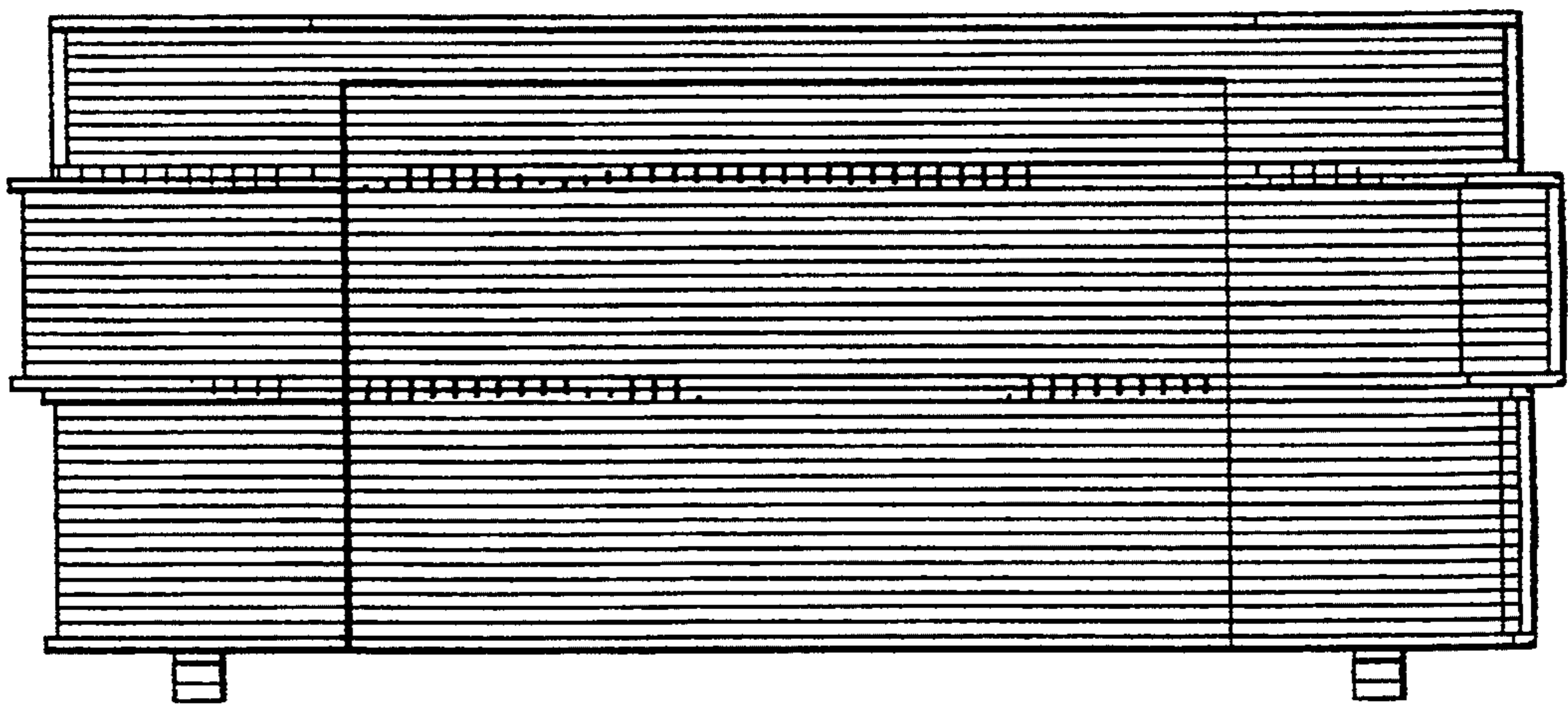


FIG. - 3

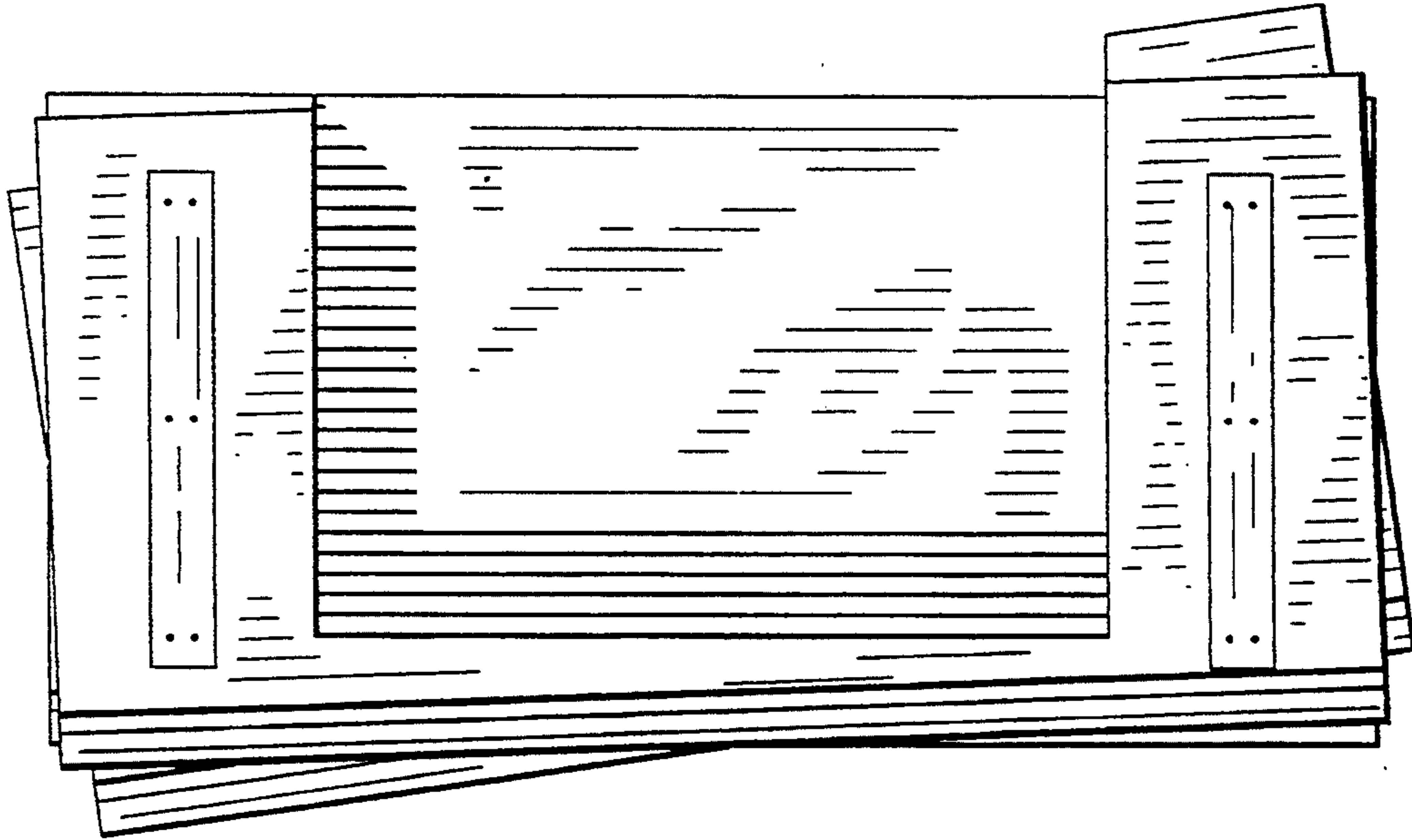


FIG. - 4

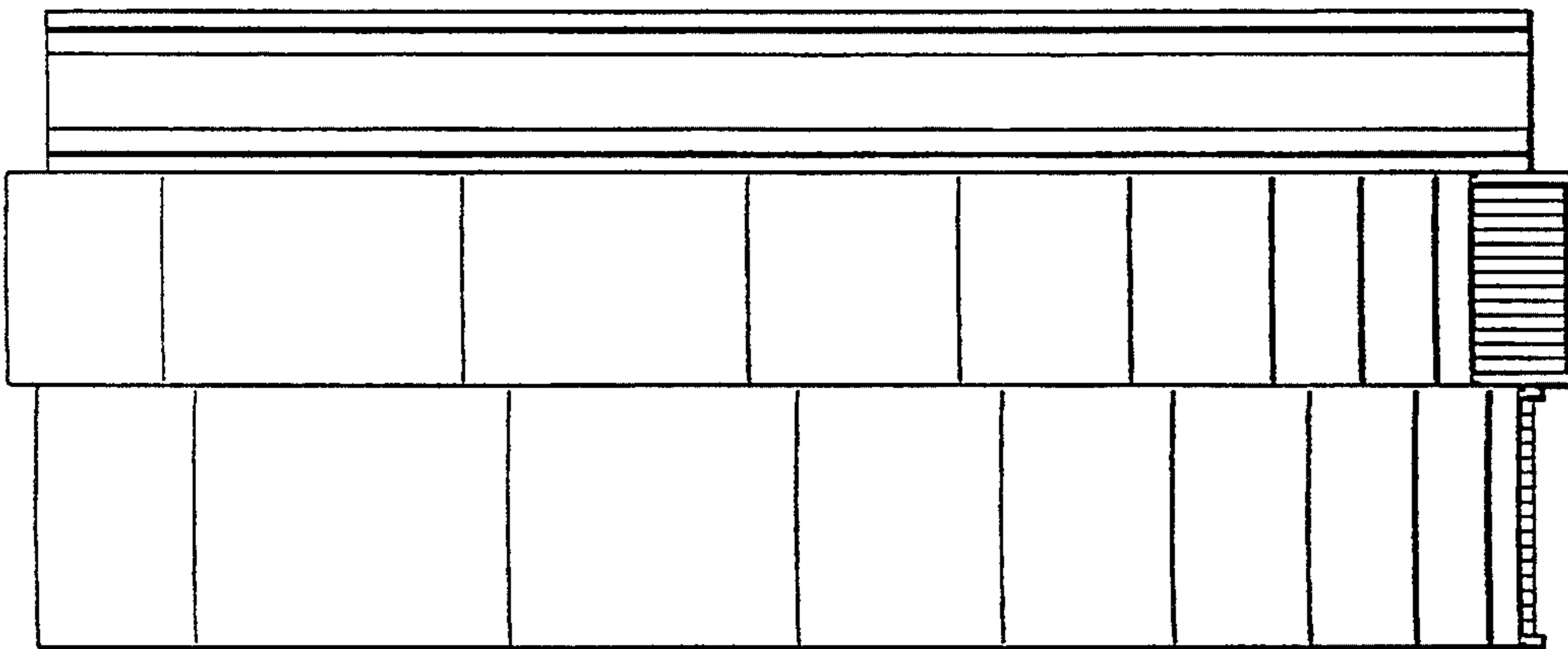


FIG. - 5

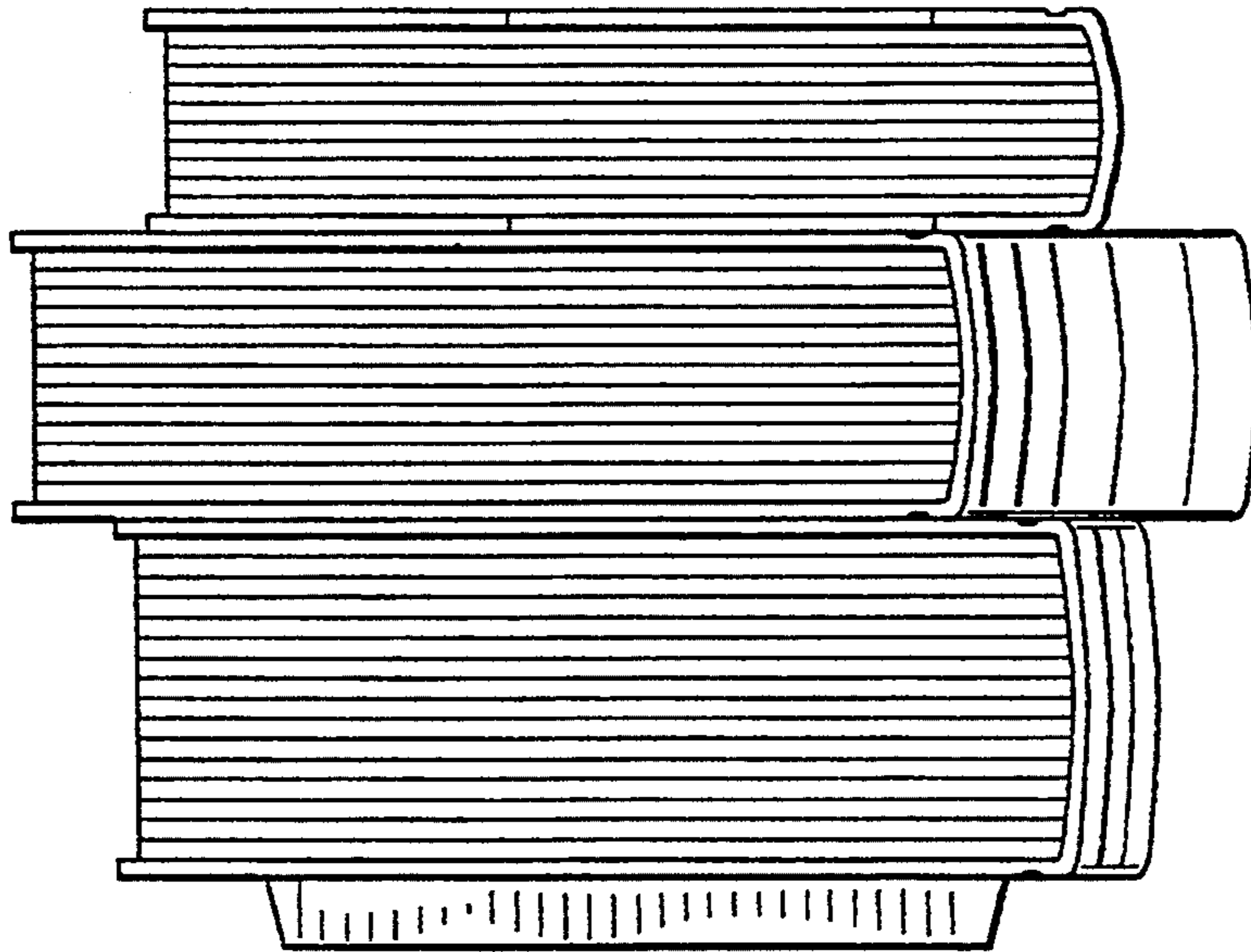


FIG. - 6

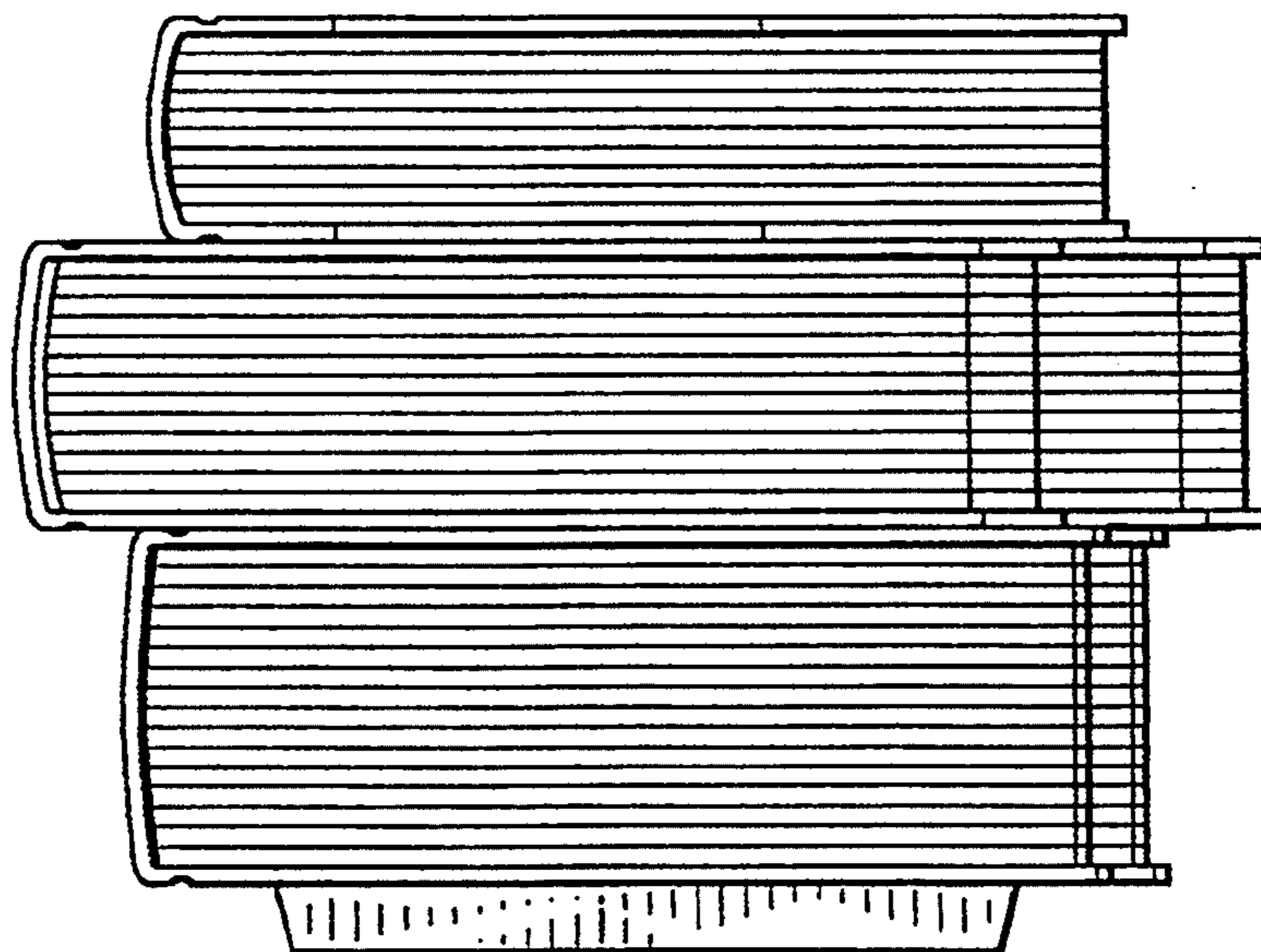


FIG. - 7