



US00D353275S

United States Patent [19]

[11] Patent Number: Des. 353,275

Longhurst

[45] Date of Patent: ** Dec. 13, 1994

[54] **AUTOMOBILE DESK WITH PRIVACY SCREEN**

[76] Inventor: **Frank J. Longhurst**, 127 N. Highland Rd., Springfield, Pa. 19064

[**] Term: **14 Years**

[21] Appl. No.: **11,046**

[22] Filed: **Jul. 26, 1993**

[52] U.S. Cl. **D6/406; D12/177; D19/52; D19/88**

[58] Field of Search **D6/406, 419, 420, 397; 108/44, 45, 46, 49; 224/273, 277; D12/177, 415, 416; D19/65, 75, 88, 52, 90, 91, 99, 100**

[56] **References Cited**

U.S. PATENT DOCUMENTS

- D. 127,480 5/1941 Corcoran D6/406
- D. 137,877 5/1944 Smith D6/406
- D. 199,241 9/1964 Patterson D12/177 X
- D. 276,732 12/1984 Marquez D19/52

- D. 315,366 3/1991 Greenspahn D19/88 X
- D. 316,727 5/1991 Greenspahn D19/88 X
- D. 329,944 10/1992 Longtin D6/406
- D. 331,076 11/1992 Montgomery D19/88
- D. 347,360 5/1994 Wheeler D19/52 X
- 4,577,788 3/1986 Richardson 224/273
- 4,909,159 3/1990 Gonsoulin 108/44

Primary Examiner—Martie Thompson
Attorney, Agent, or Firm—Laurence Weinberger

[57] **CLAIM**

The ornamental design for an automobile desk with privacy screen, as shown.

DESCRIPTION

FIG. 1 is a top plan view of an automobile desk with privacy screen showing my new design;
FIG. 2 is a bottom plan view;
FIG. 3 is a left side elevational view, the right side being a mirror image thereof;
FIG. 4 is a front elevational view;
FIG. 5 is a rear elevational view; and,
FIG. 6 is a top, left front perspective view thereof.

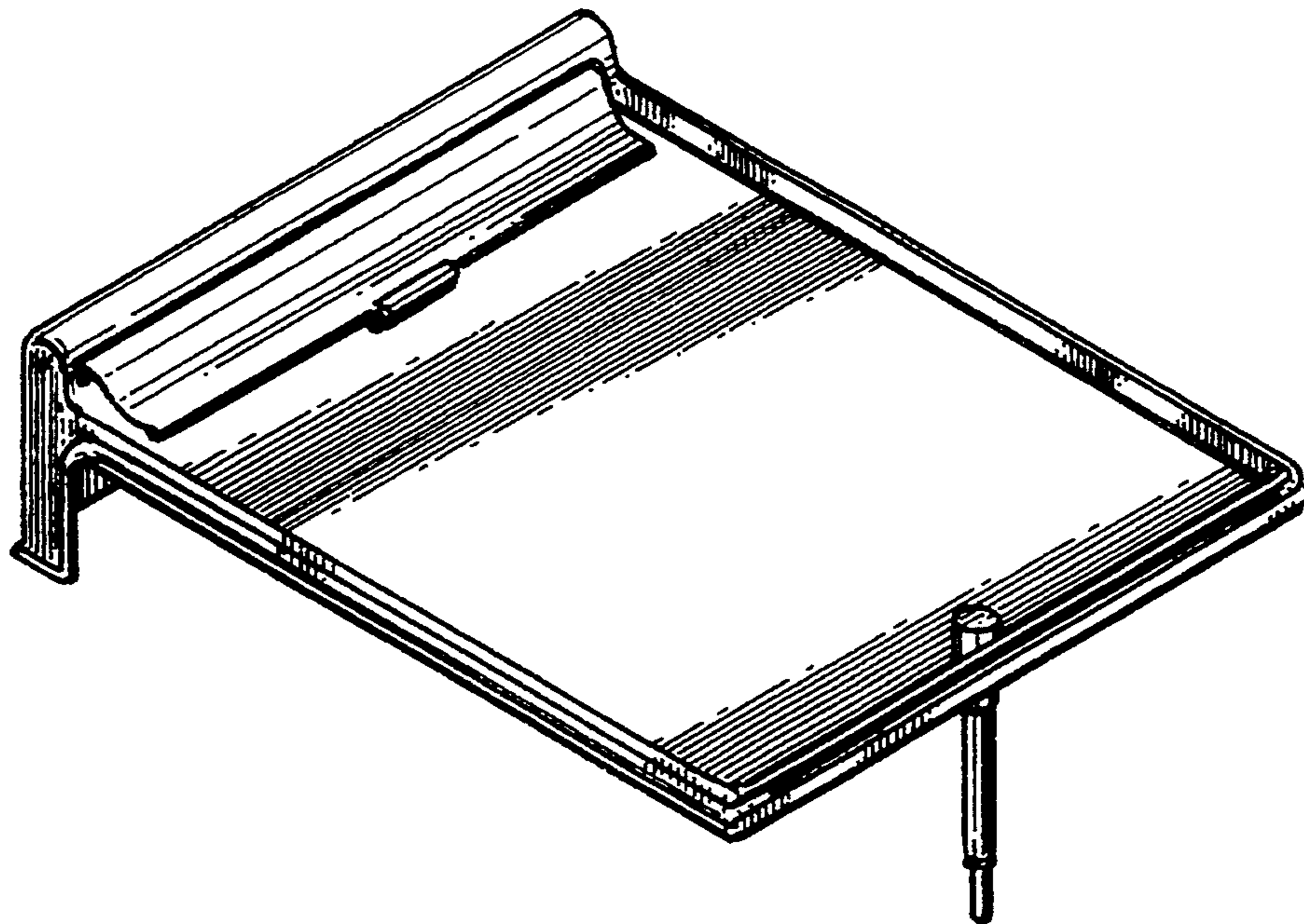


FIG. 1

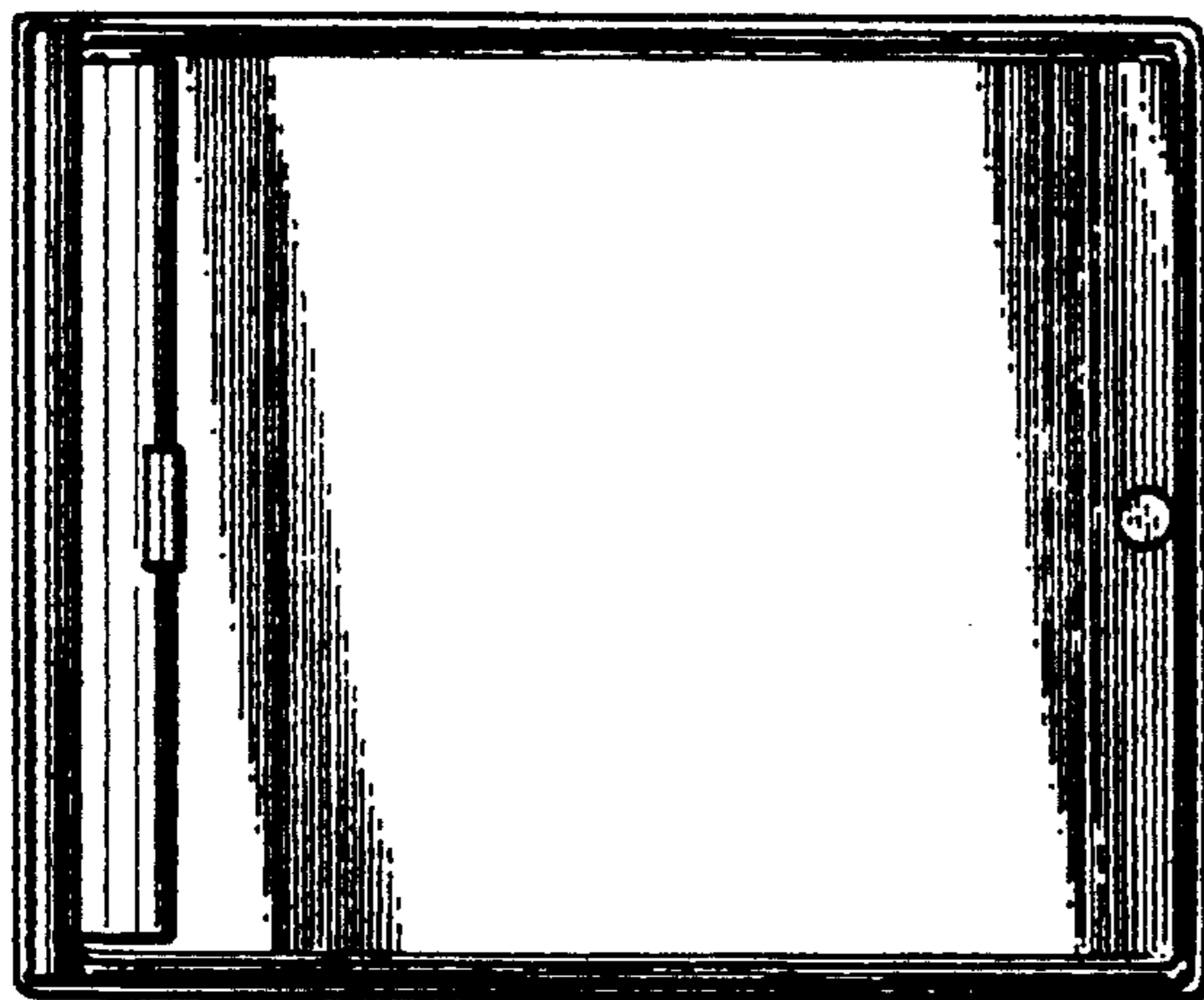


FIG. 2

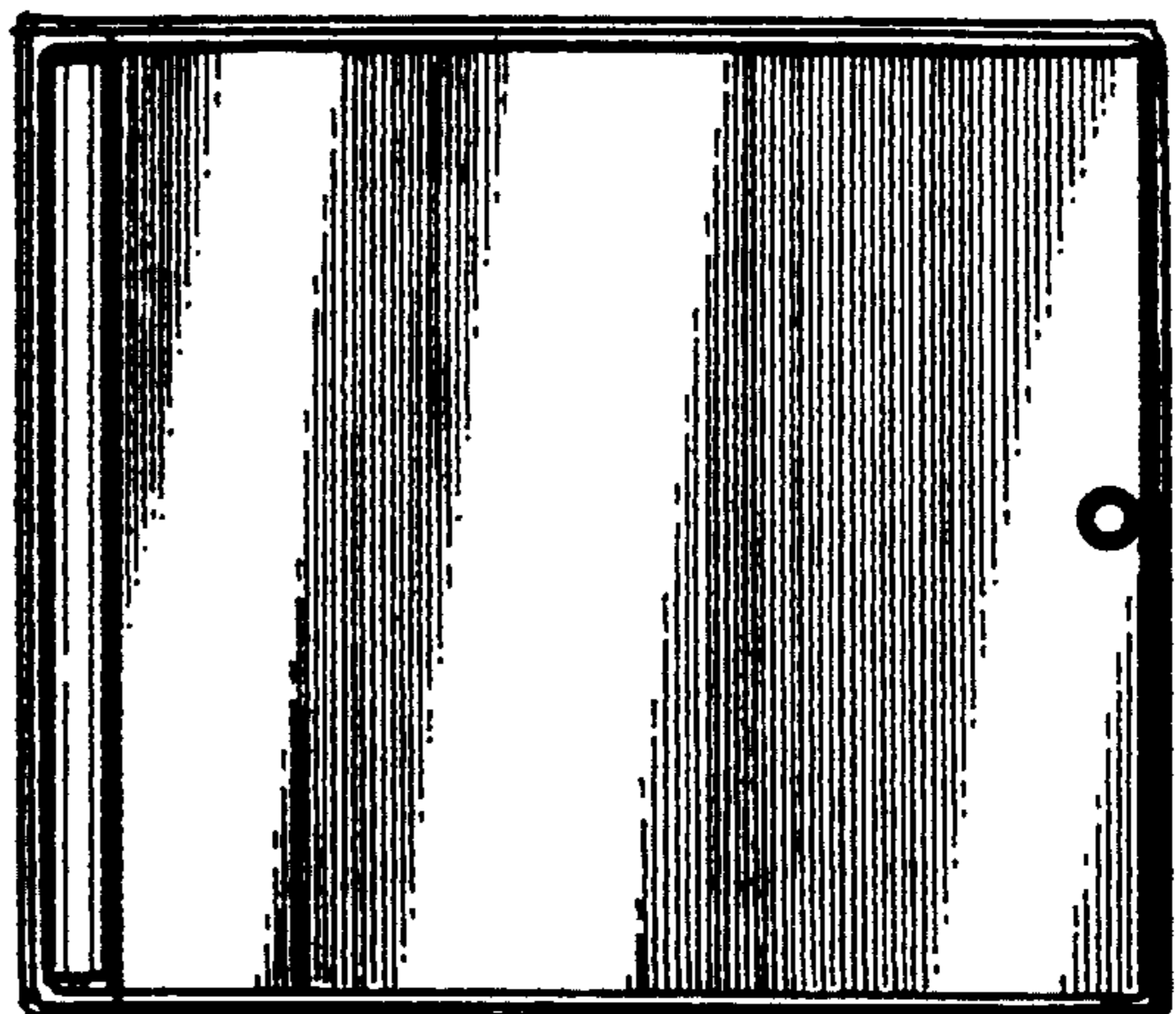


FIG. 3

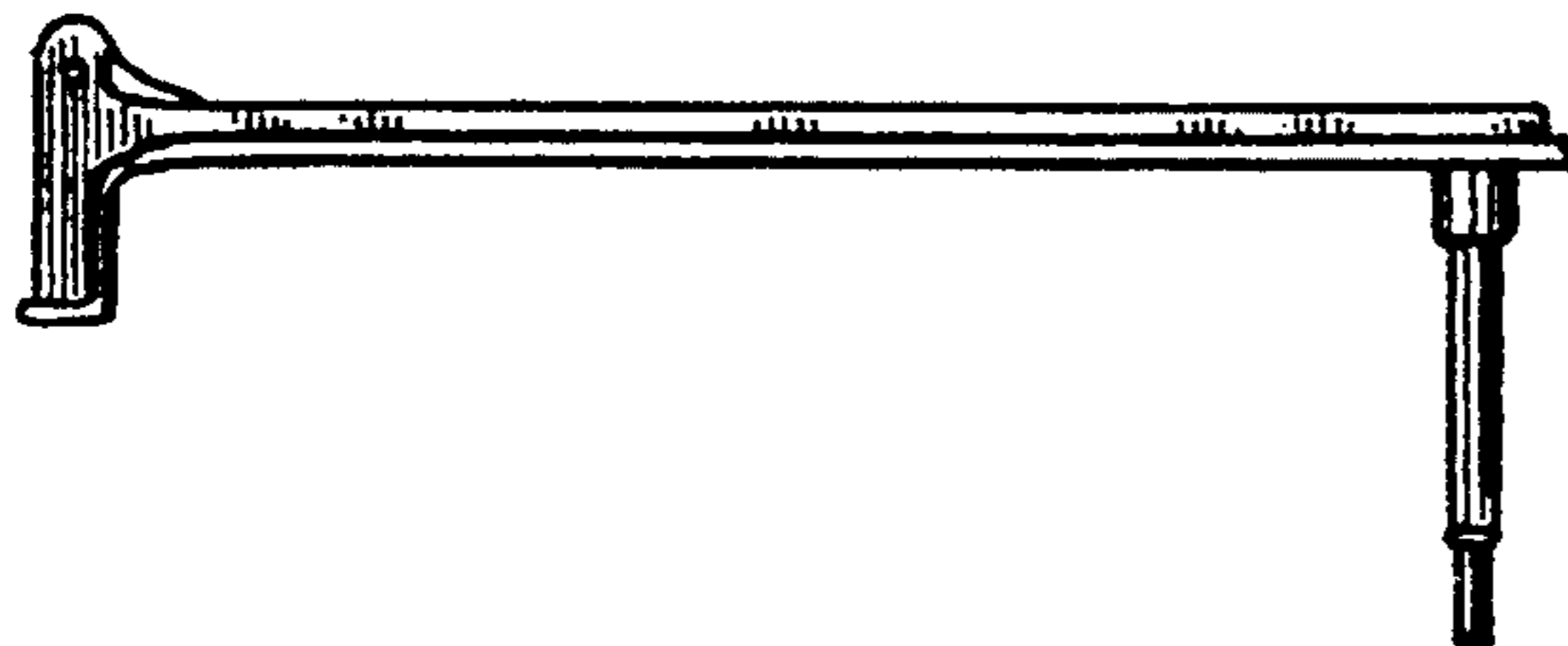


FIG. 4

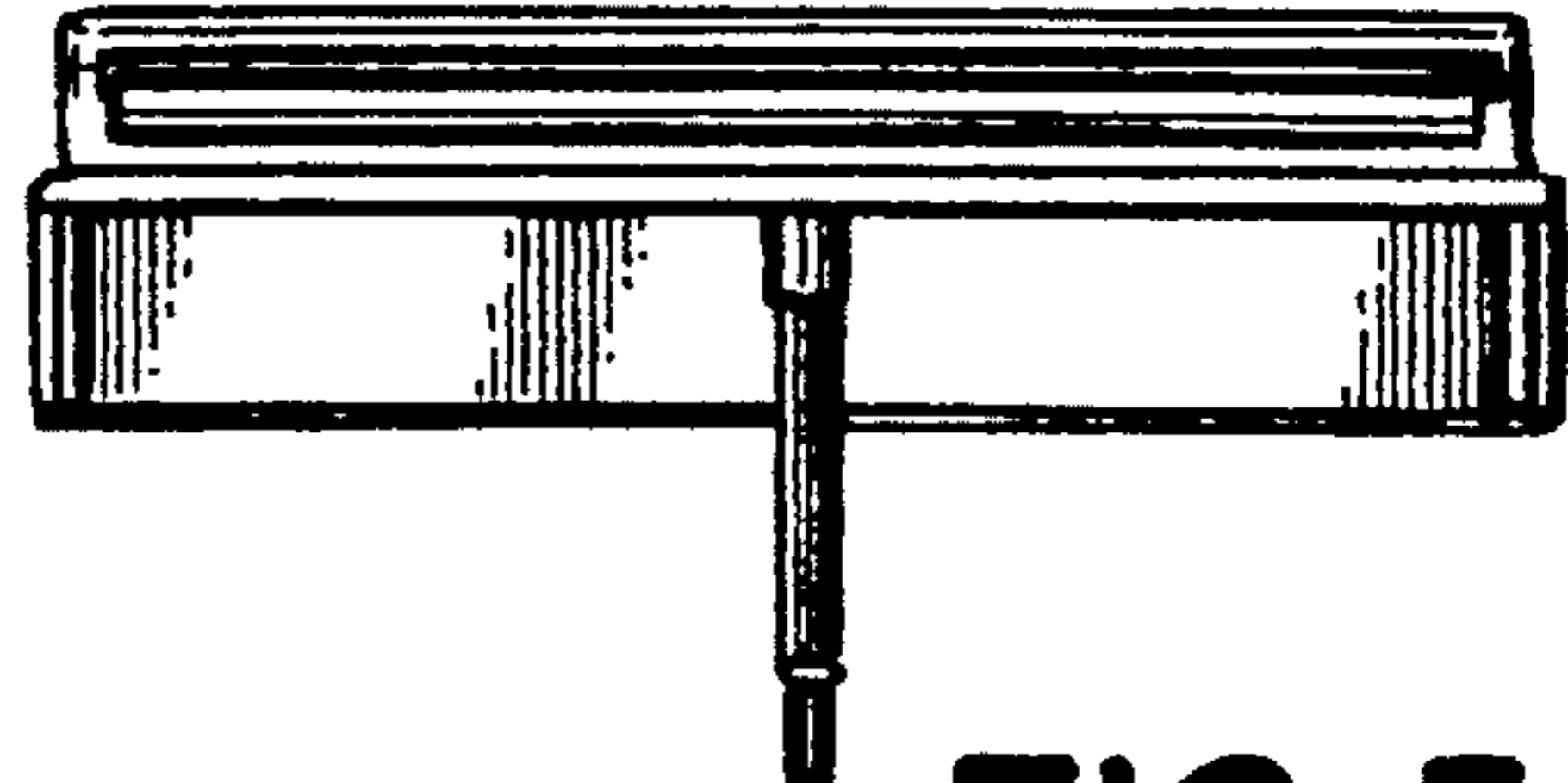


FIG. 5

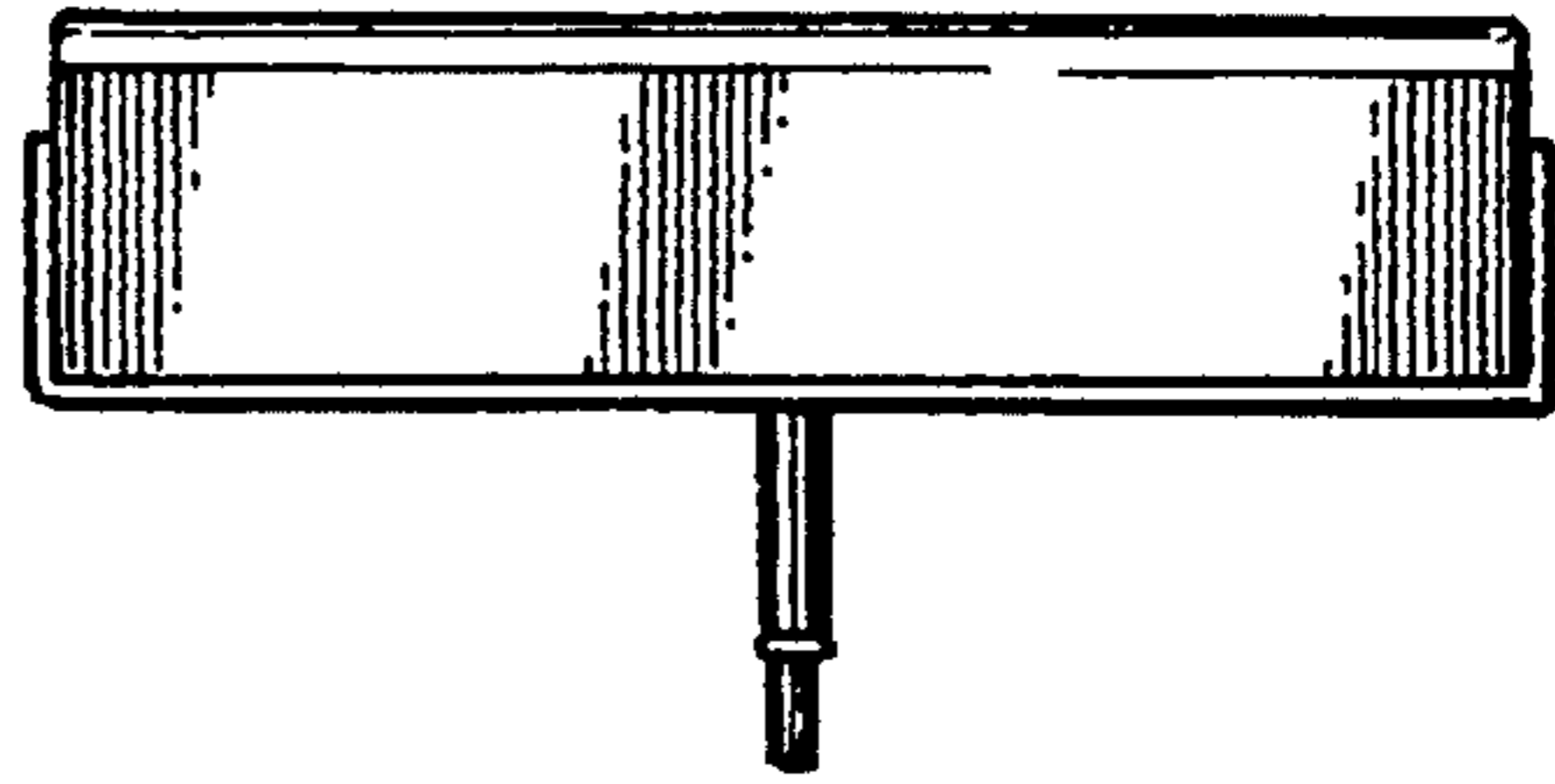


FIG. 6

