



US00D353269S

United States Patent [19]

[11] Patent Number: **Des. 353,269**

Ivičević

[45] Date of Patent: **** Dec. 13, 1994**

[54] CHAIR

D. 336,380 6/1993 Roseen et al. D6/366

[75] Inventor: **Dragomir N. Ivičević**, New York, N.Y.

OTHER PUBLICATIONS

Domus, Dec. 1987, chair at bottom left.

[73] Assignee: **Westinghouse Electric Corporation**, Pittsburgh, Pa.

Primary Examiner—Holtje Nelson C.
Assistant Examiner—Gary D. Watson
Attorney, Agent, or Firm—Carla J. Vrsansky

[*] Notice: The portion of the term of this patent subsequent to Nov. 8, 2008 has been disclaimed.

[57] CLAIM

The ornamental design for a chair, as shown and described.

[**] Term: **14 Years**

DESCRIPTION

[21] Appl. No.: **9,348**

FIG. 1 is a perspective view of a chair having arms showing my new design;
FIG. 2 is a front elevational view thereof;
FIG. 3 is a rear elevational view thereof;
FIG. 4 is a left side elevational view thereof;
FIG. 5 is a right side elevational view thereof;
FIG. 6 is a top plan view thereof;
FIG. 7 is a bottom plan view thereof;
FIG. 8 is a perspective view of a chair without arms showing my new design;
FIG. 9 is a front elevational view thereof;
FIG. 10 is a rear elevational view thereof;
FIG. 11 is a left side elevational view thereof;
FIG. 12 is a right side elevational view thereof;
FIG. 13 is a top plan view thereof; and,
FIG. 14 is a bottom plan view thereof.

[22] Filed: **Jun. 9, 1993**

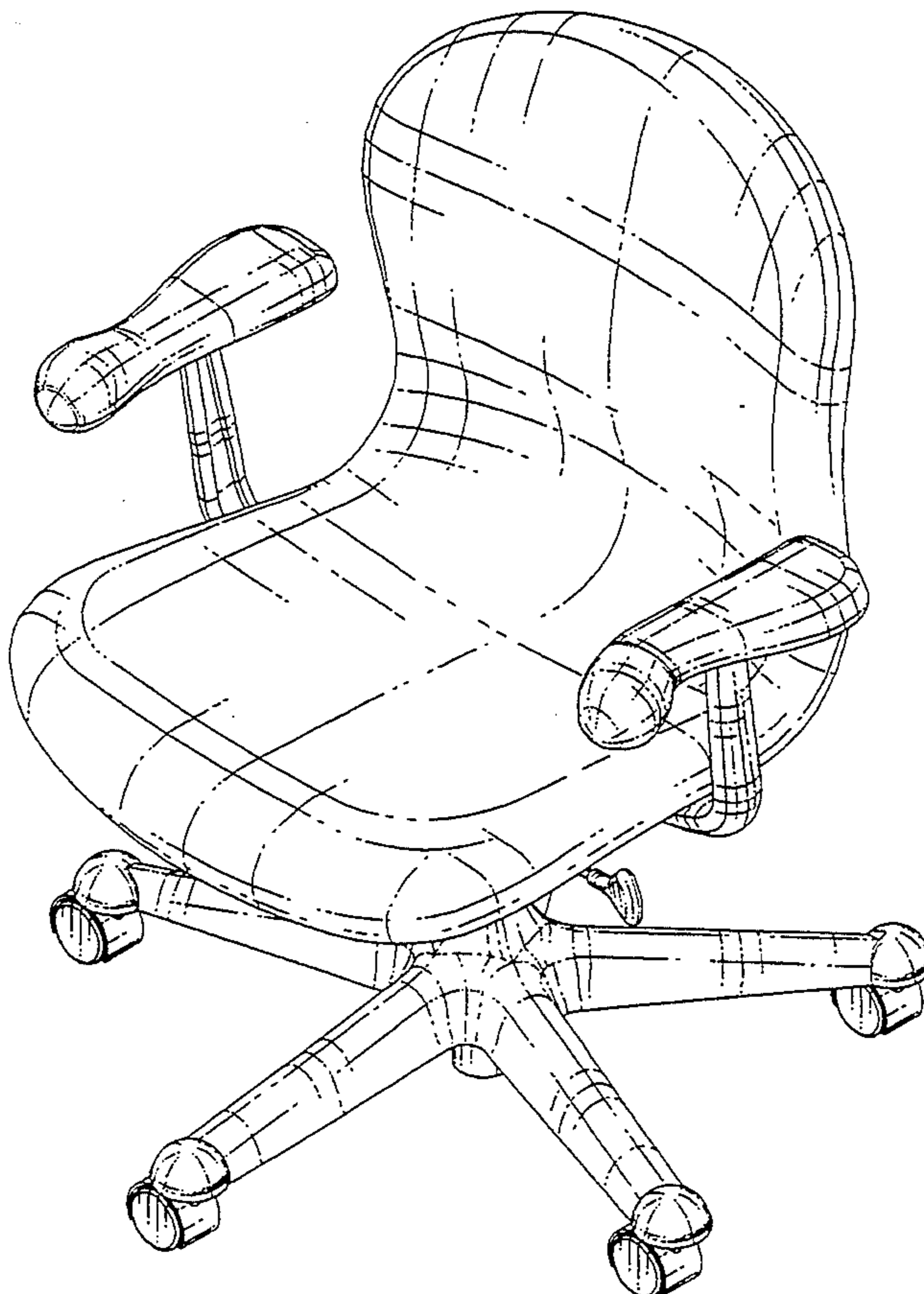
[52] U.S. Cl. **D6/366**

[58] Field of Search **D6/334, 365, 366, 375, D6/379, 500, 501, 502; 297/411.40**

[56] References Cited

U.S. PATENT DOCUMENTS

D. 228,536	10/1973	Stottsass, Jr.	D6/366
D. 253,205	10/1979	Buhk	D6/366
D. 254,105	2/1980	Hosoe	D6/366
D. 275,053	8/1984	Stephens	D6/366
D. 279,241	6/1985	Diffrient	D6/366
D. 279,443	7/1985	Diffrient	D6/501
D. 318,184	7/1991	Muller-Deisig et al.	D6/366
D. 326,369	5/1992	Buchacz	D6/366
D. 326,961	6/1992	Hannah et al.	D6/366



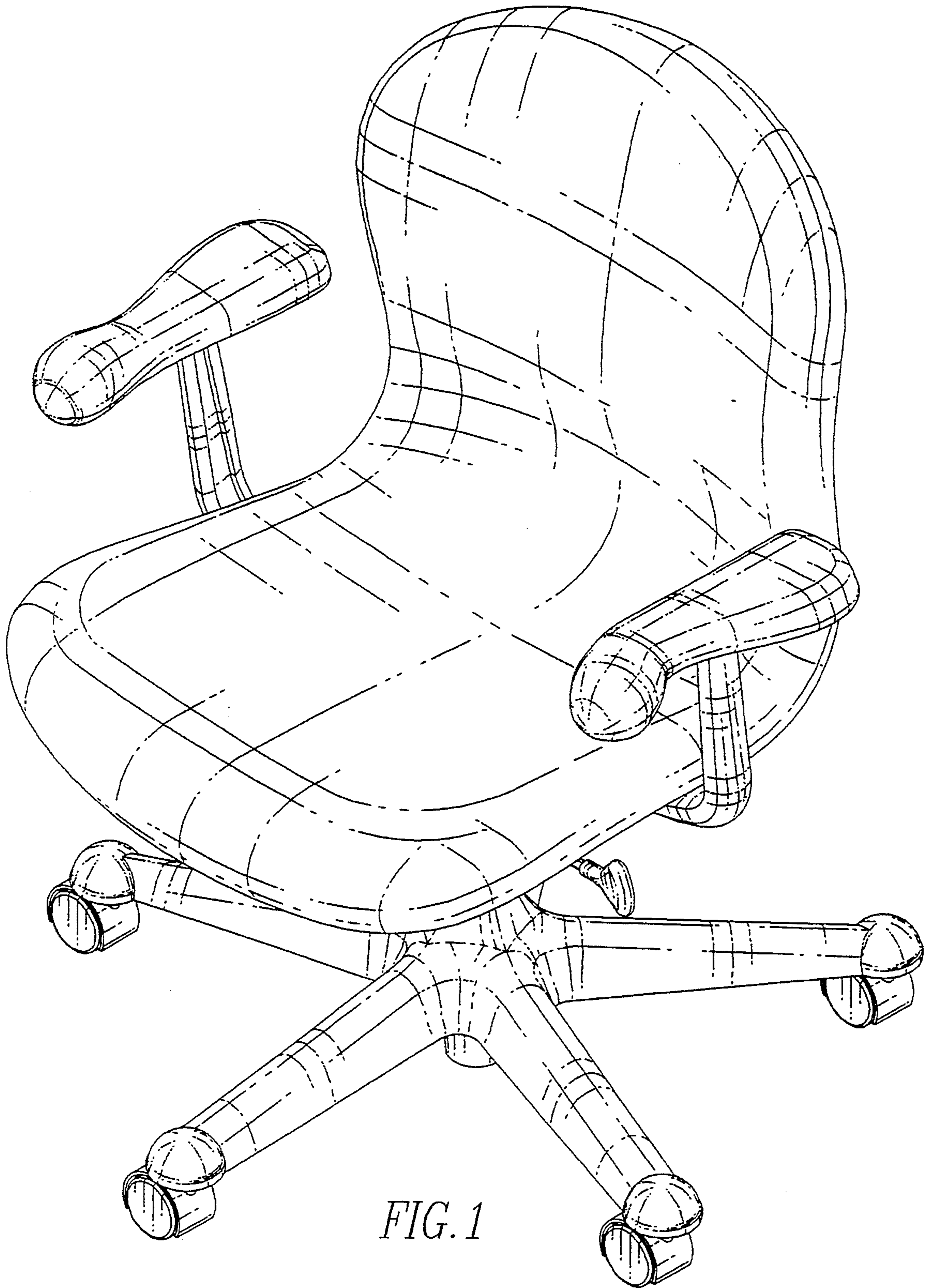


FIG. 1

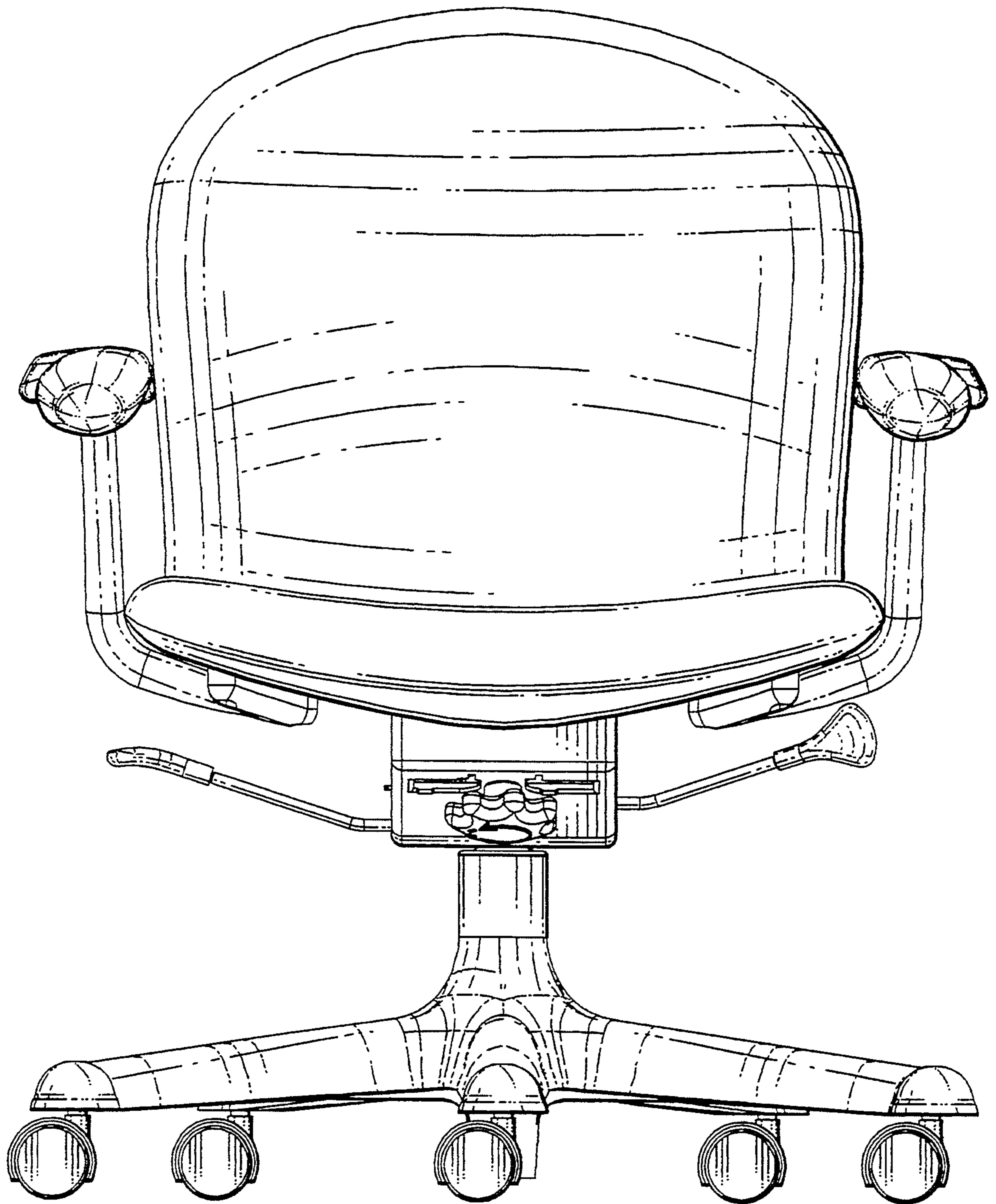


FIG. 2

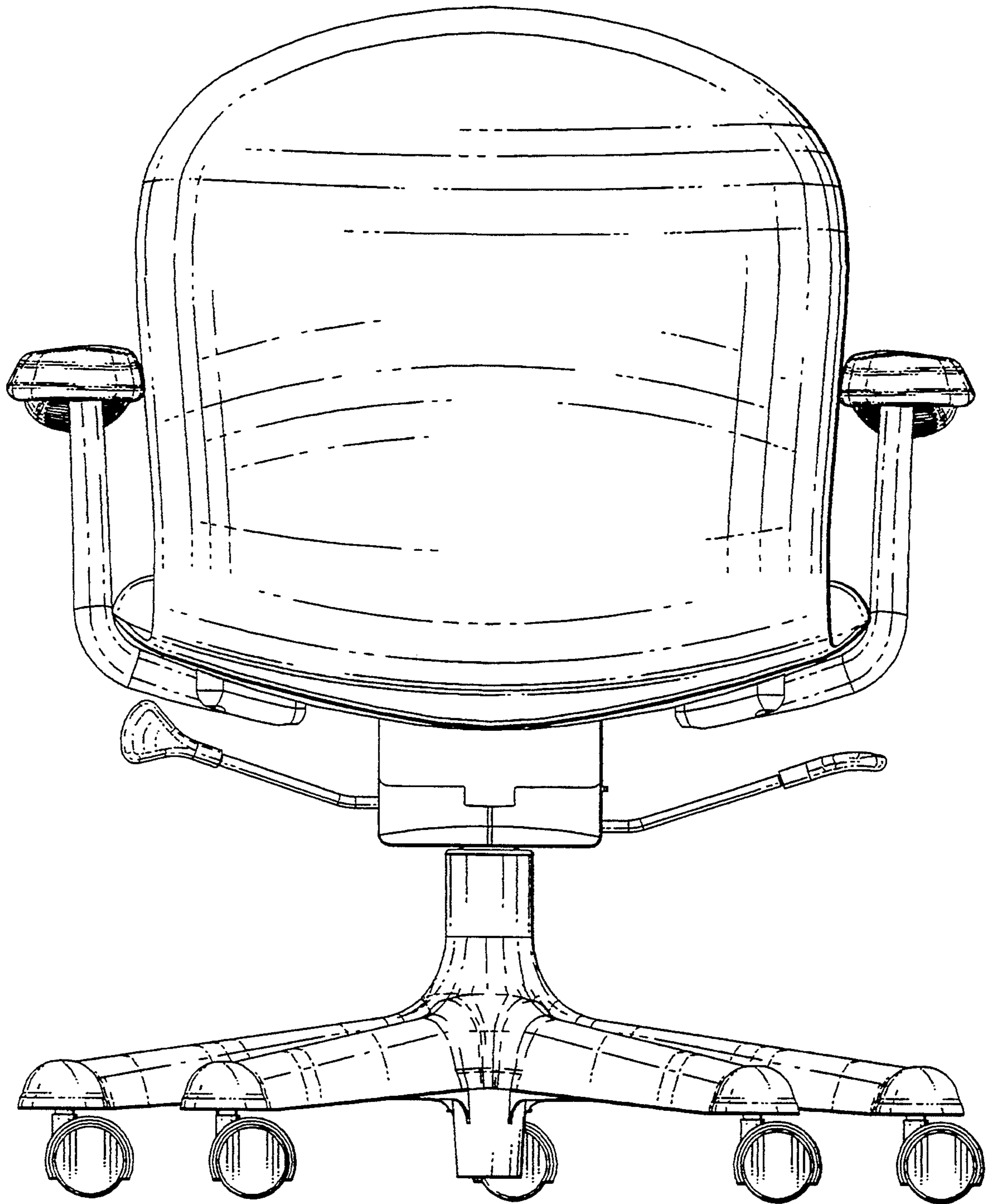


FIG. 3

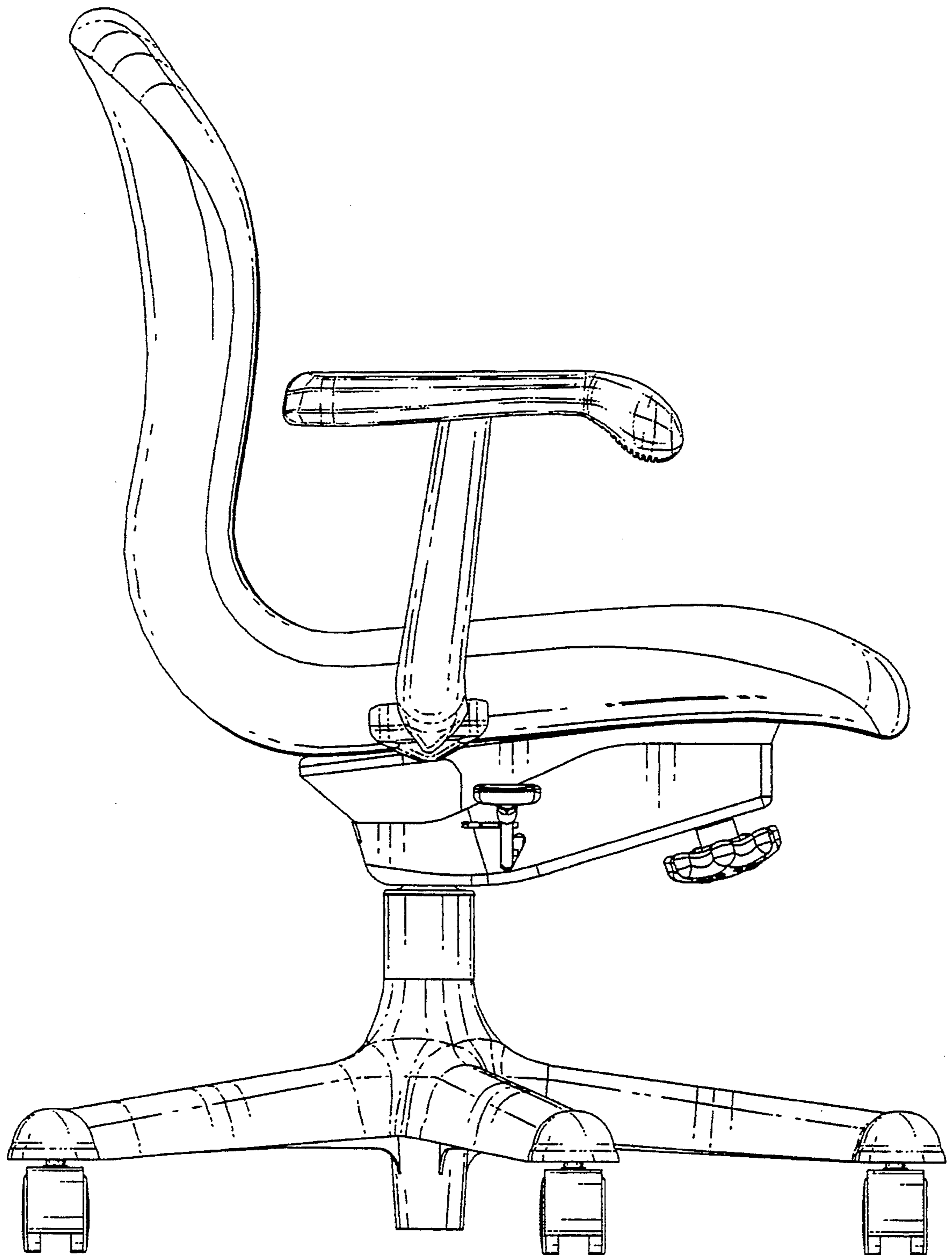


FIG. 4

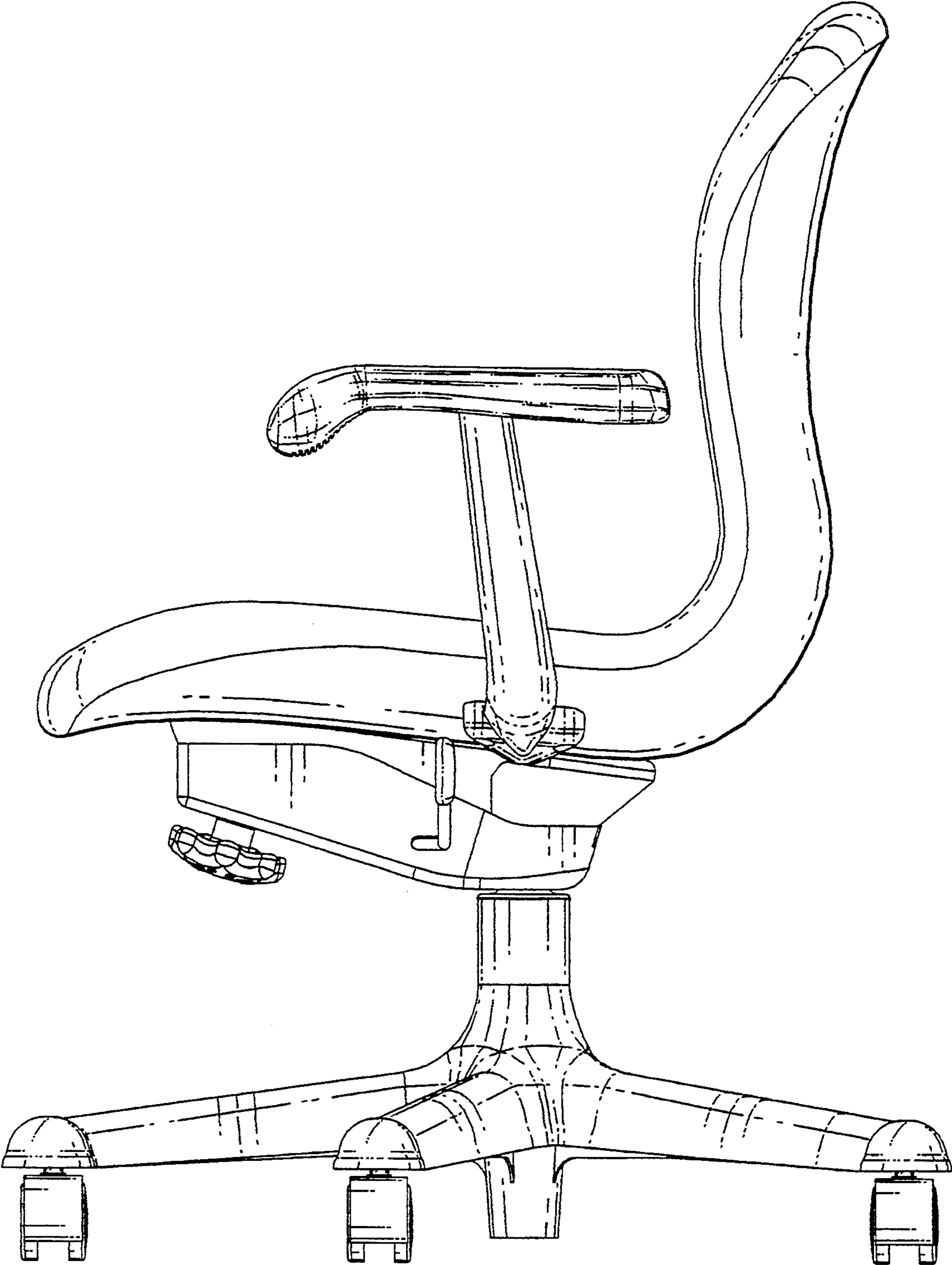


FIG. 5

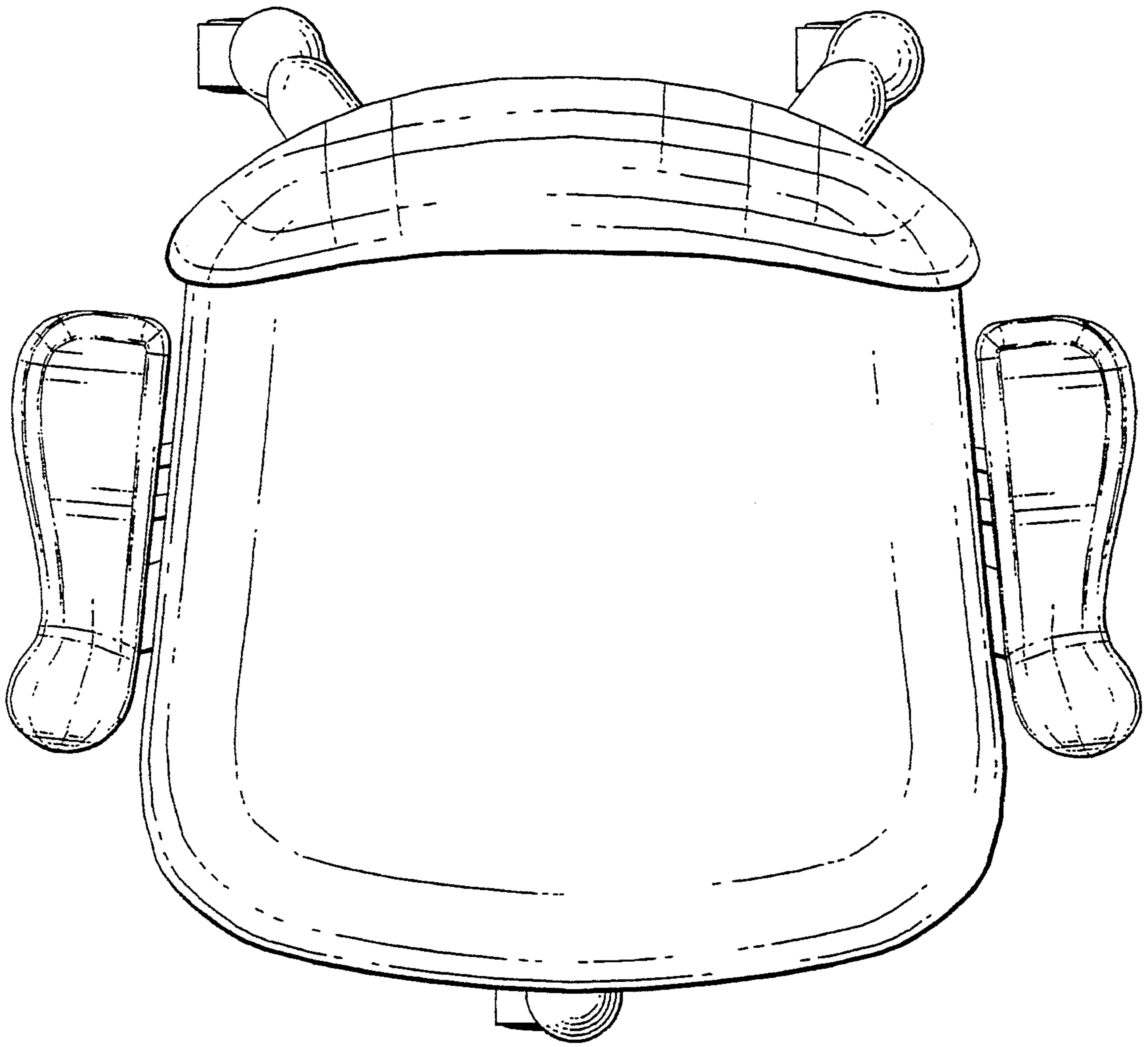


FIG. 6

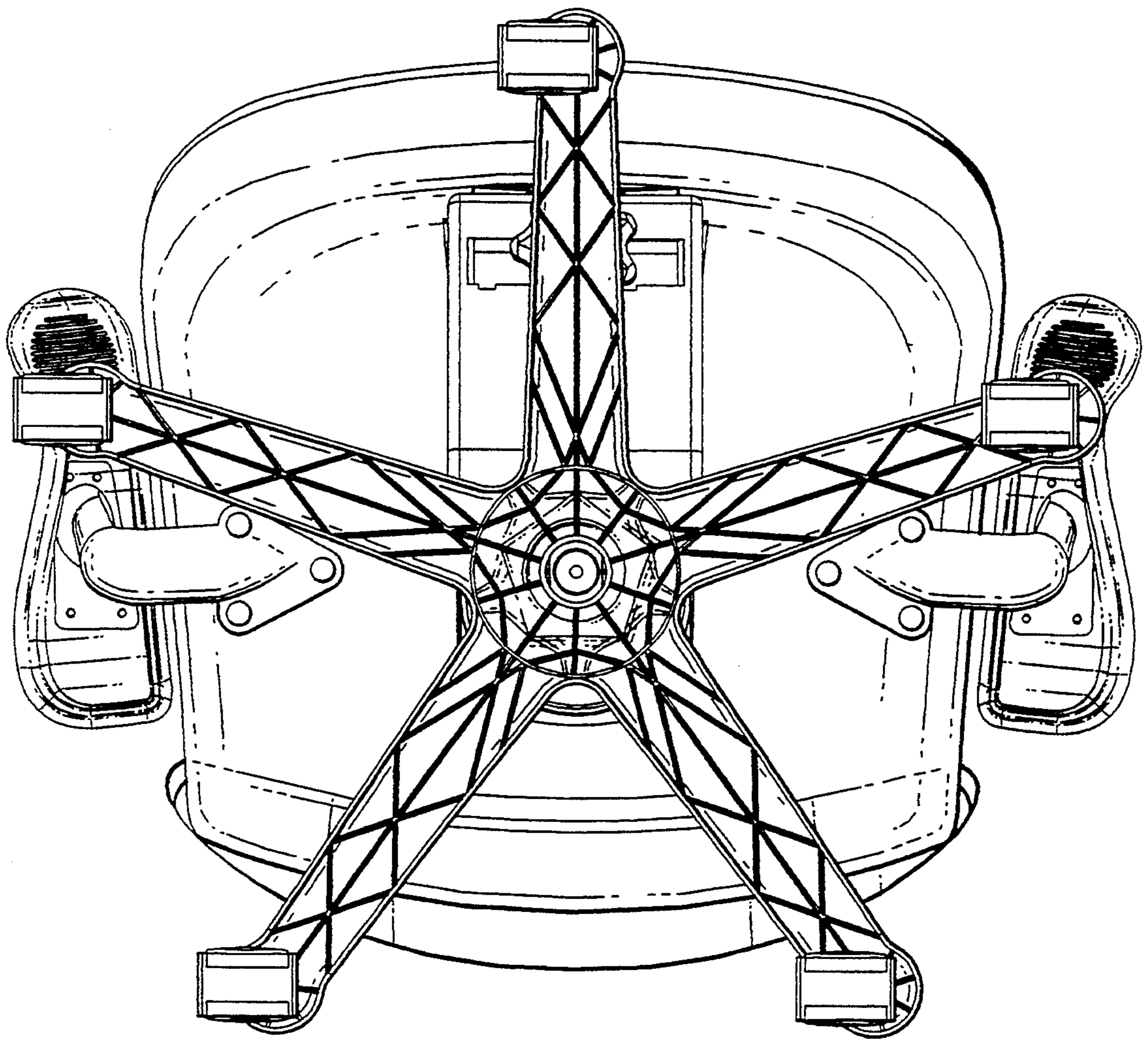


FIG. 7

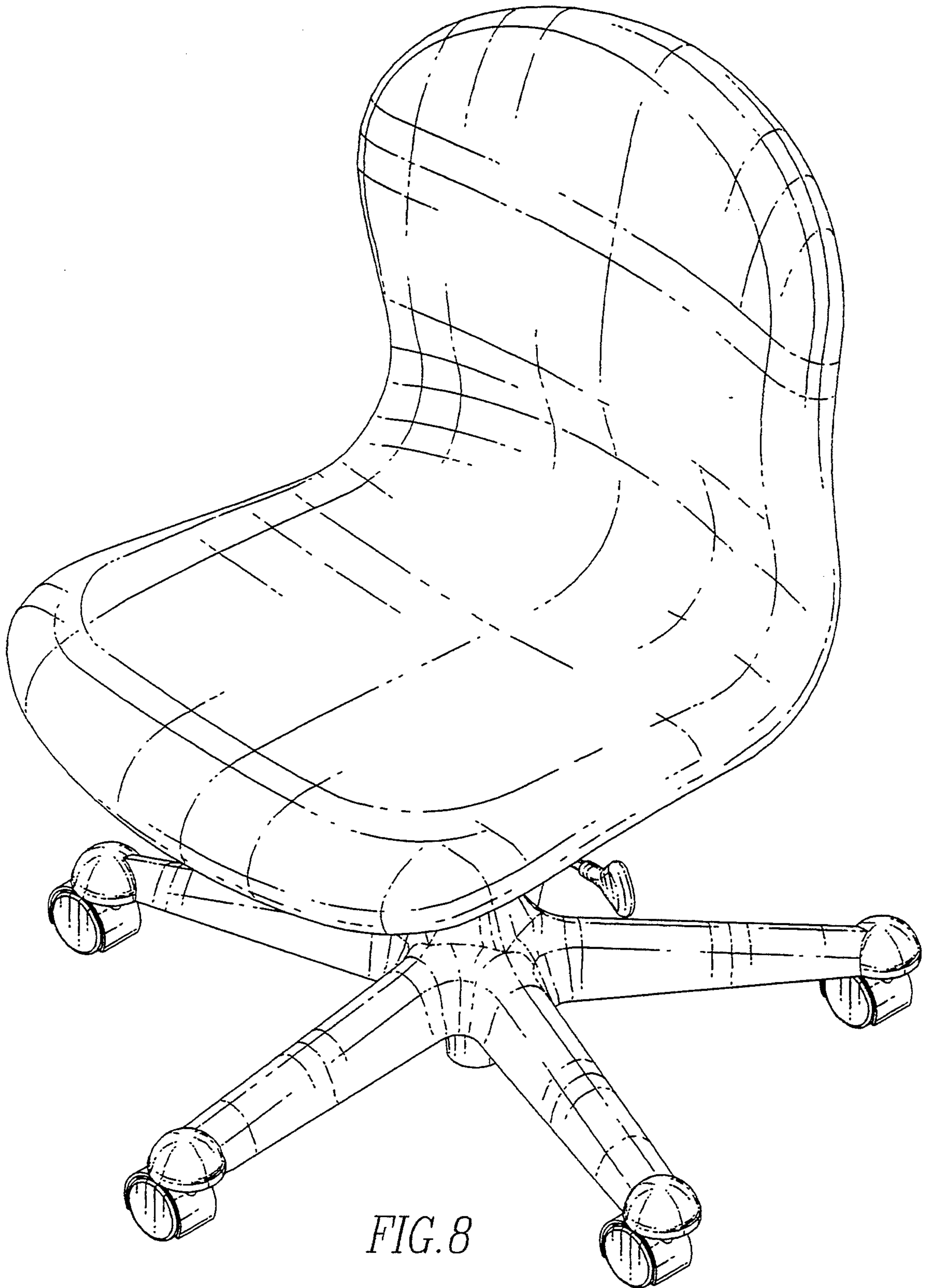


FIG. 8

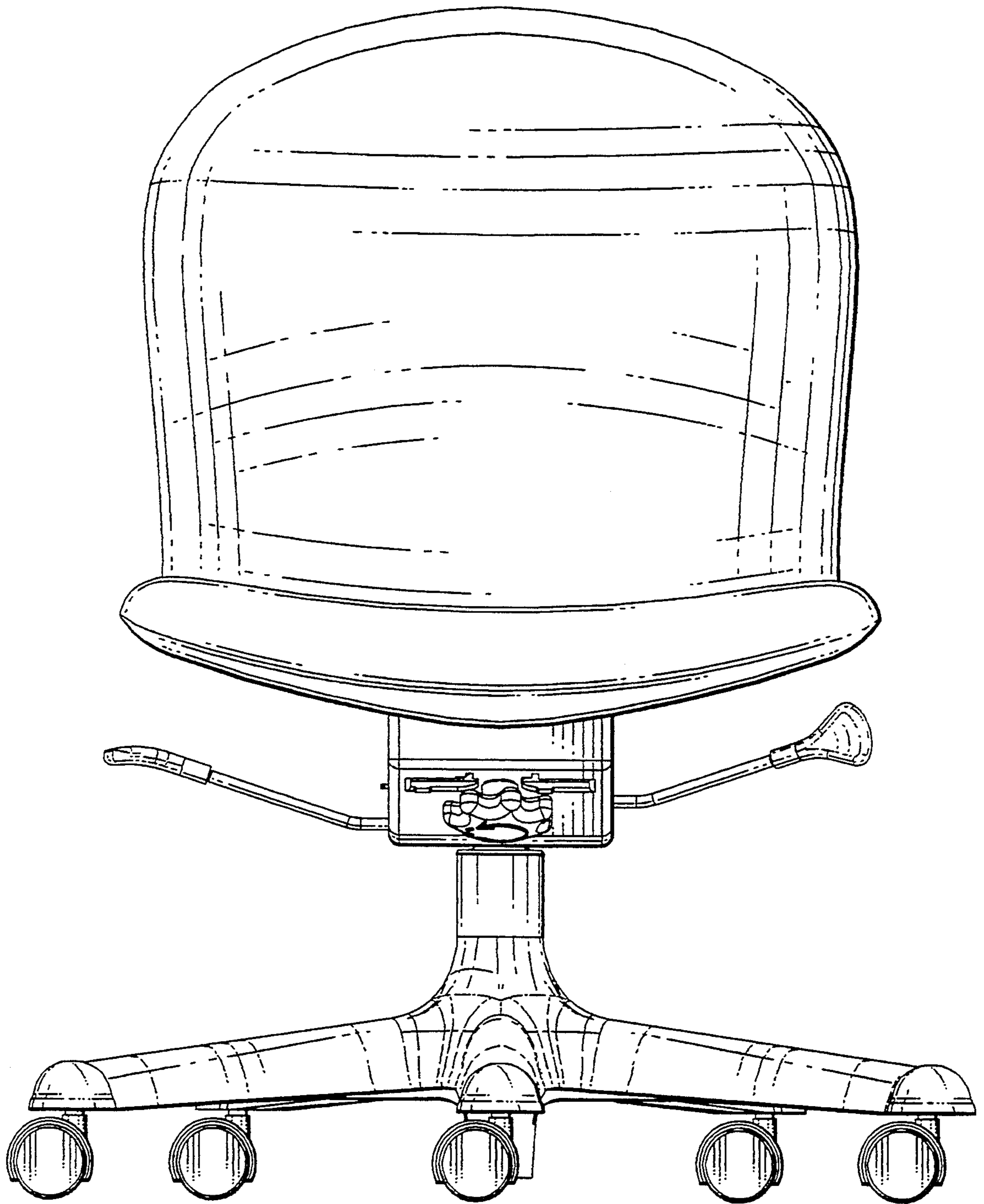


FIG. 9

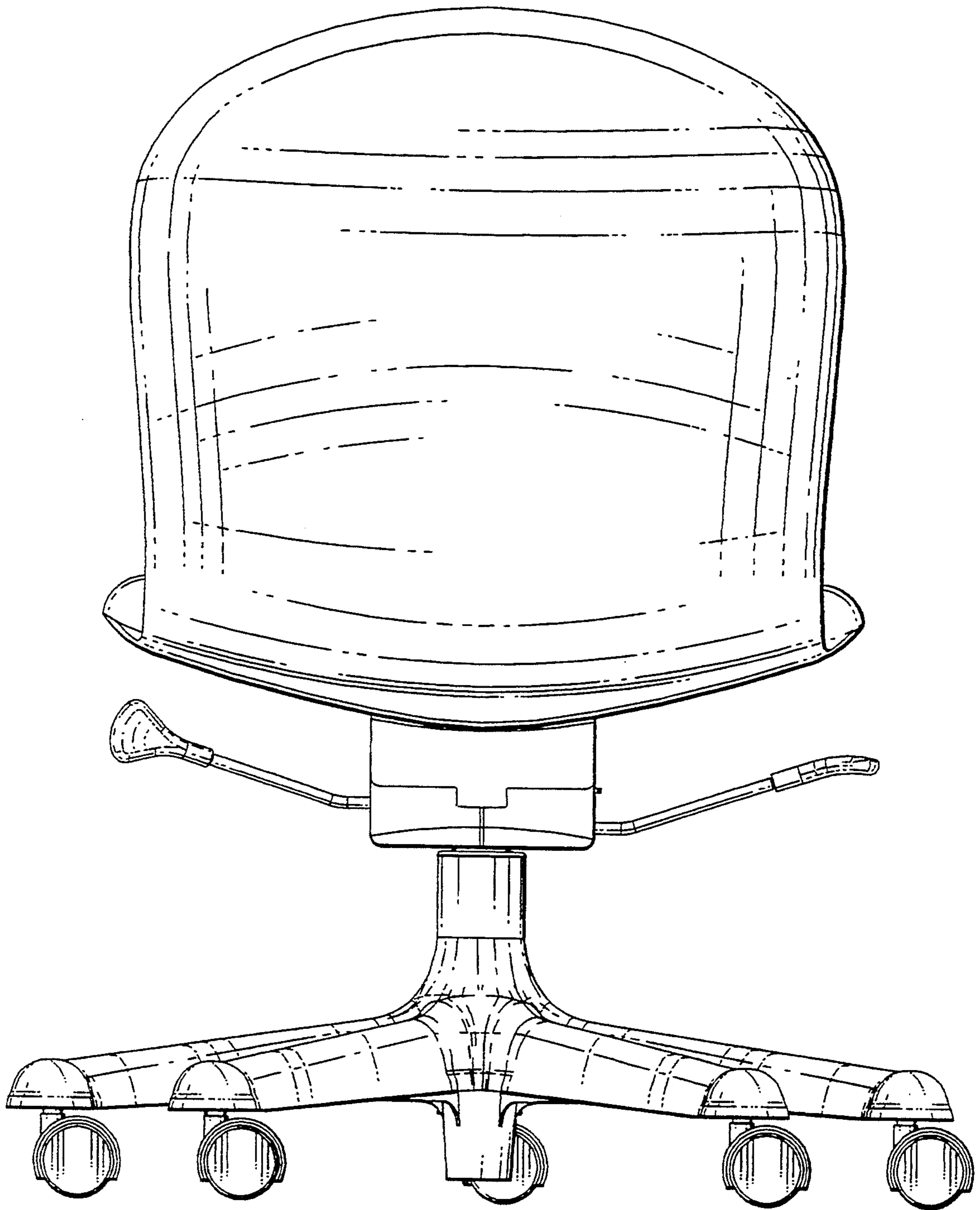


FIG. 10

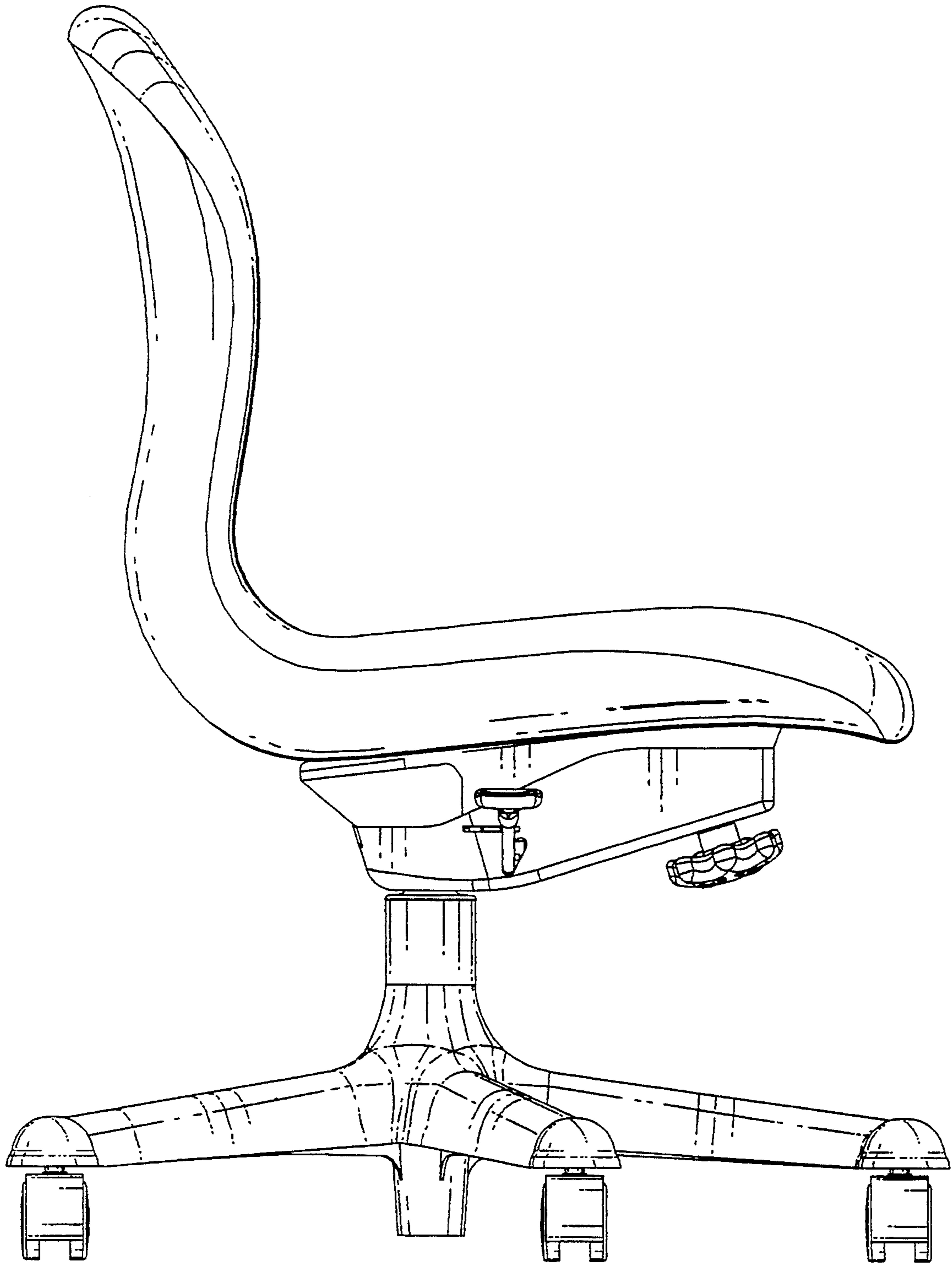


FIG. 11

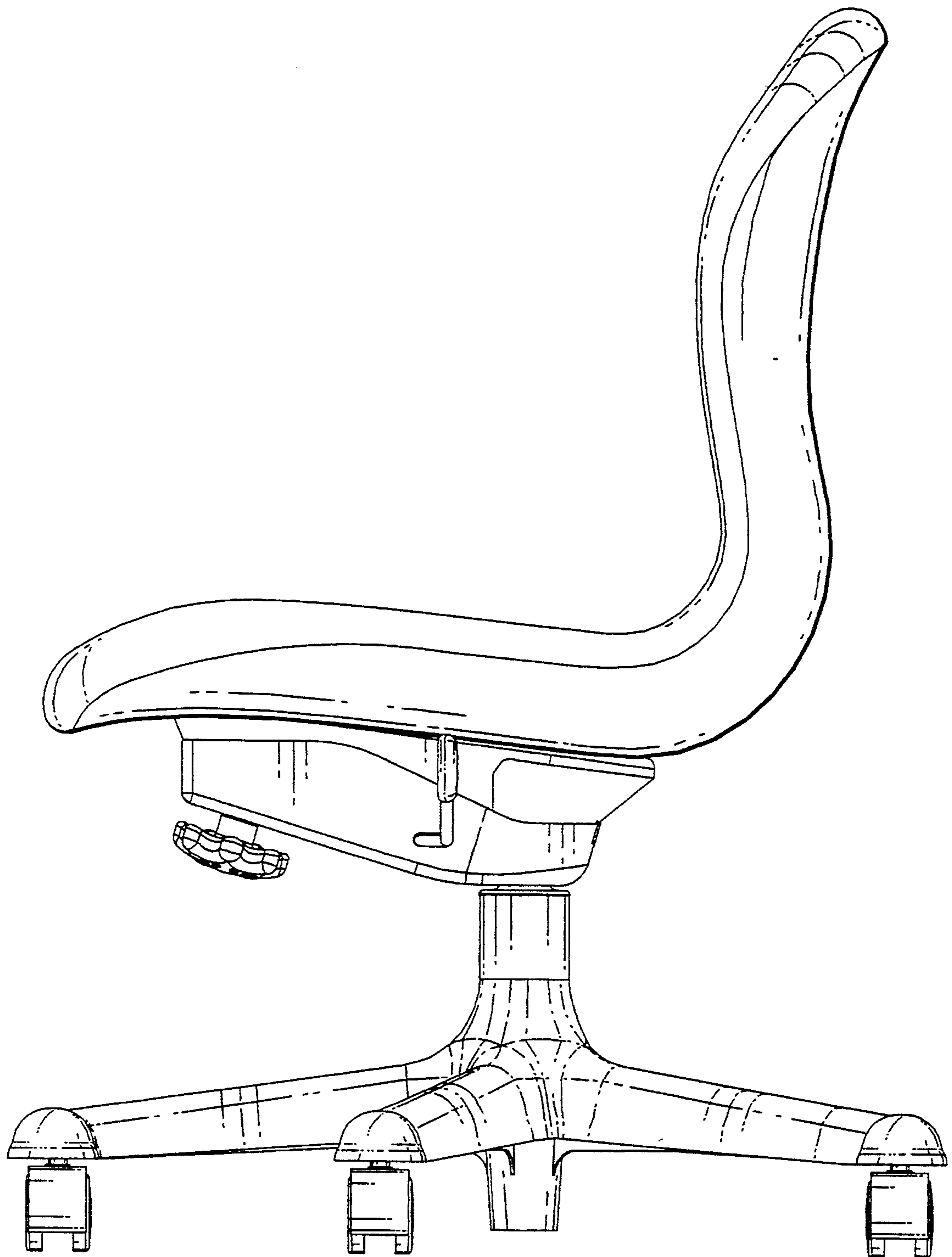


FIG. 12

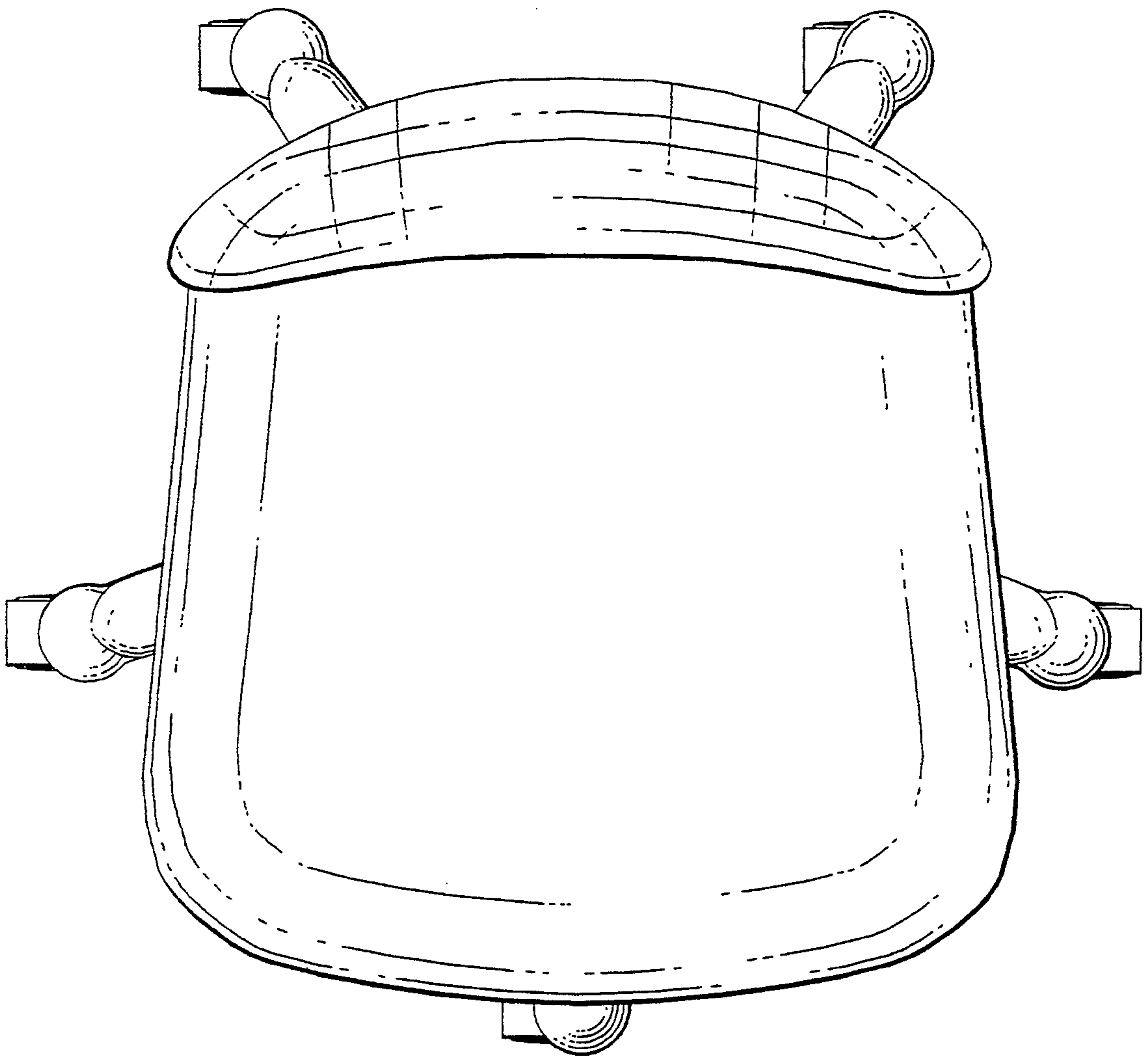


FIG. 13

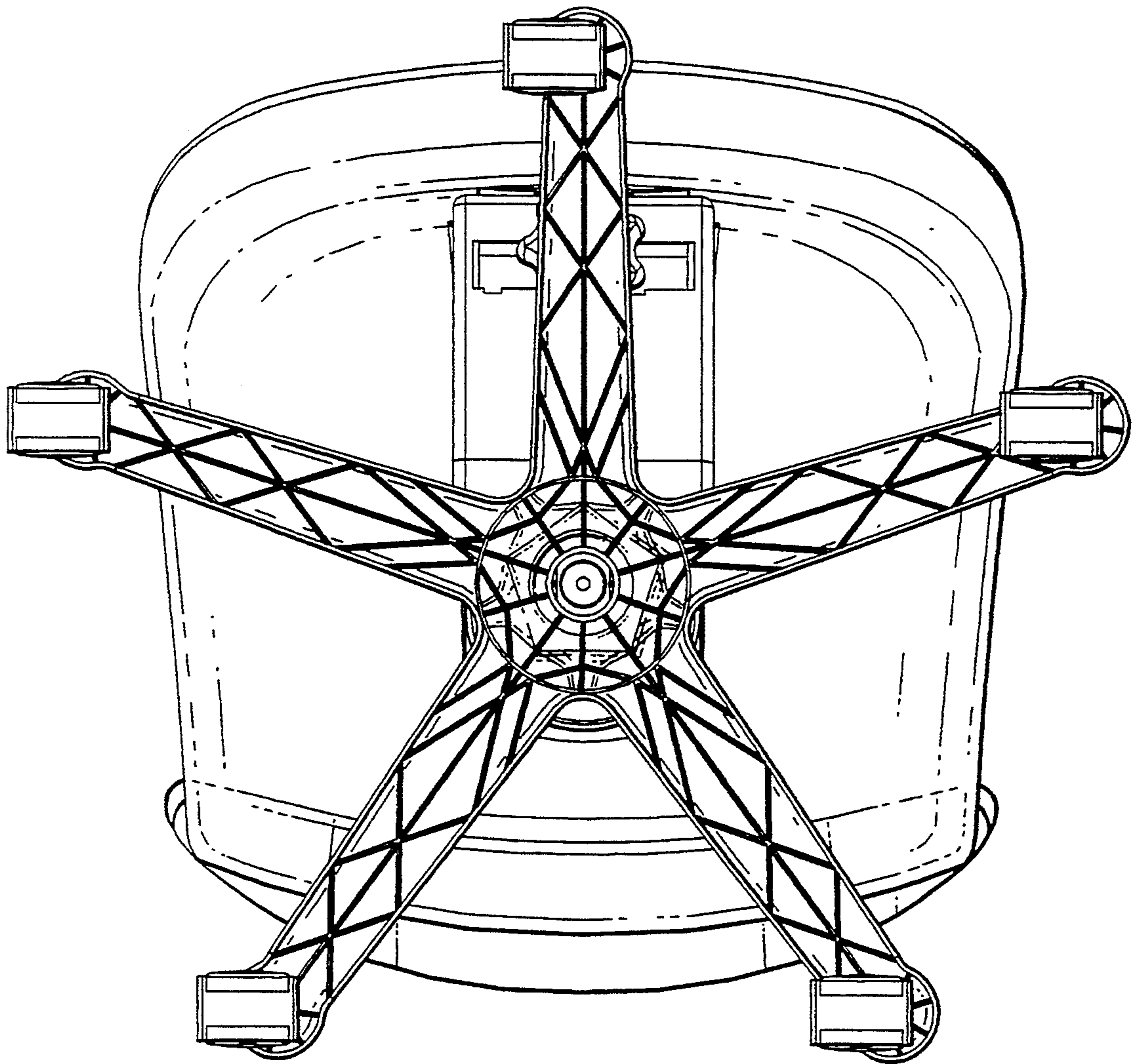


FIG. 14