



US00D353268S

# United States Patent [19]

[11] Patent Number: **Des. 353,268**

**Ambasz**

[45] Date of Patent: **\*\* Dec. 13, 1994**

[54] **CHAIR**

[75] Inventor: **Emilio Ambasz, New York, N.Y.**

[73] Assignee: **Center for Design Research and Development N.V., Curacao, Netherlands**

[\*\*] Term: **14 Years**

[21] Appl. No.: **593**

[22] Filed: **Oct. 19, 1992**

[52] U.S. Cl. .... **D6/366**

[58] Field of Search ..... **D6/334, 364, 365, 366, D6/367, 372, 379, 500, 501, 502; 297/411.44, 452.17**

[56] **References Cited**

**U.S. PATENT DOCUMENTS**

D. 184,189	12/1958	McCarthy et al. ....	D6/366
D. 204,374	4/1966	Bergstrom .....	D6/366
D. 240,374	7/1976	Buhk .....	D6/366
D. 250,374	11/1978	Prizlow et al. ....	D6/366
D. 253,205	10/1979	Buhk .....	D6/366
D. 260,204	8/1981	Sapper .....	D6/366
D. 270,310	8/1983	Ochsner .....	D6/366
D. 293,982	2/1988	Vogtherr .....	D6/372
D. 297,687	9/1988	Oredat .....	D6/366
D. 305,284	1/1990	Piretti .....	D6/366
D. 319,739	9/1991	Narita .....	D6/366
D. 336,380	6/1993	Roseen et al. ....	D6/366
D. 336,722	6/1993	Fahnstrom et al. ....	D6/366

*Primary Examiner*—Alan P. Douglas  
*Assistant Examiner*—Gary D. Watson  
*Attorney, Agent, or Firm*—Brumbaugh, Graves, Donohue & Raymond

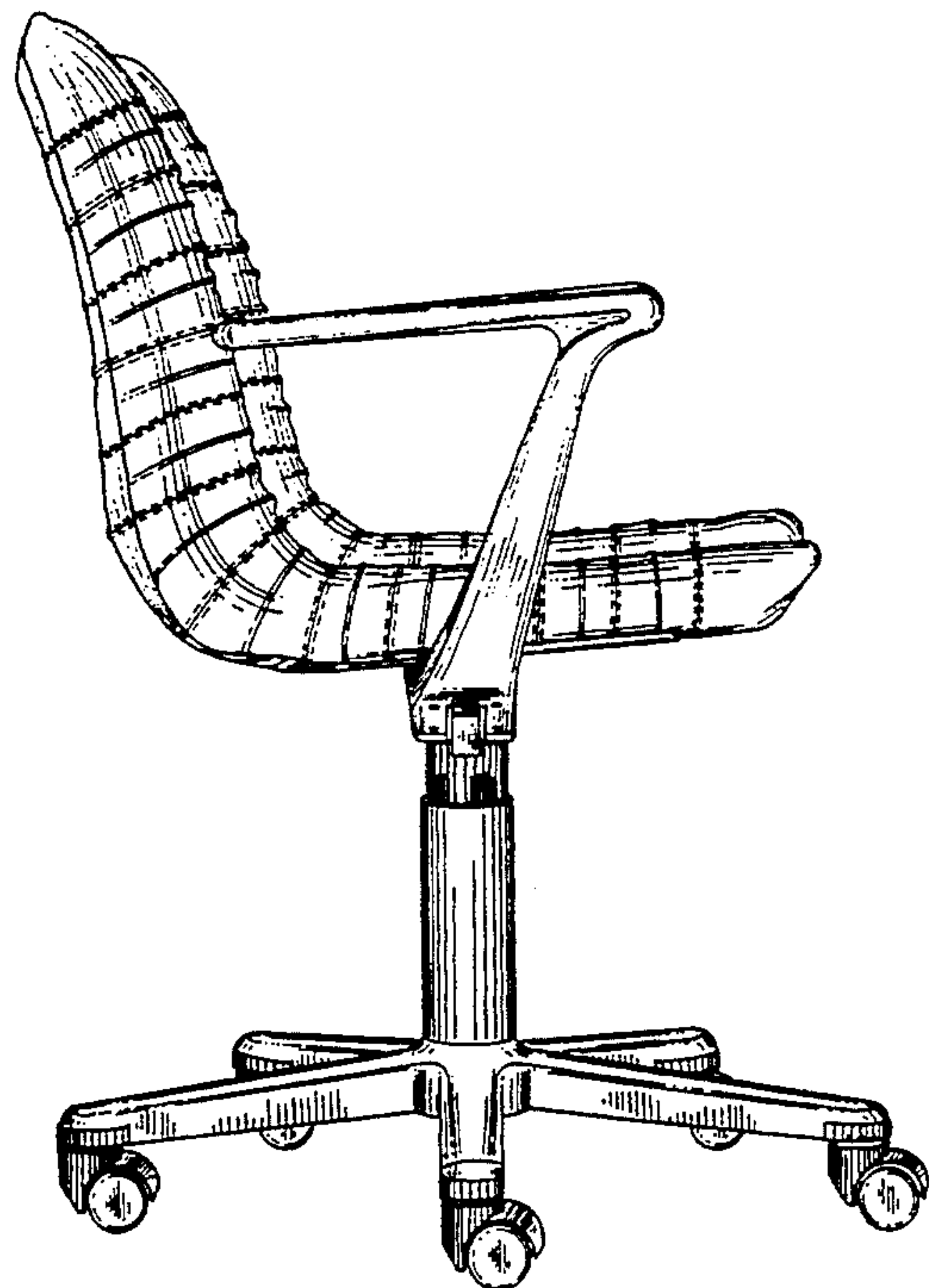
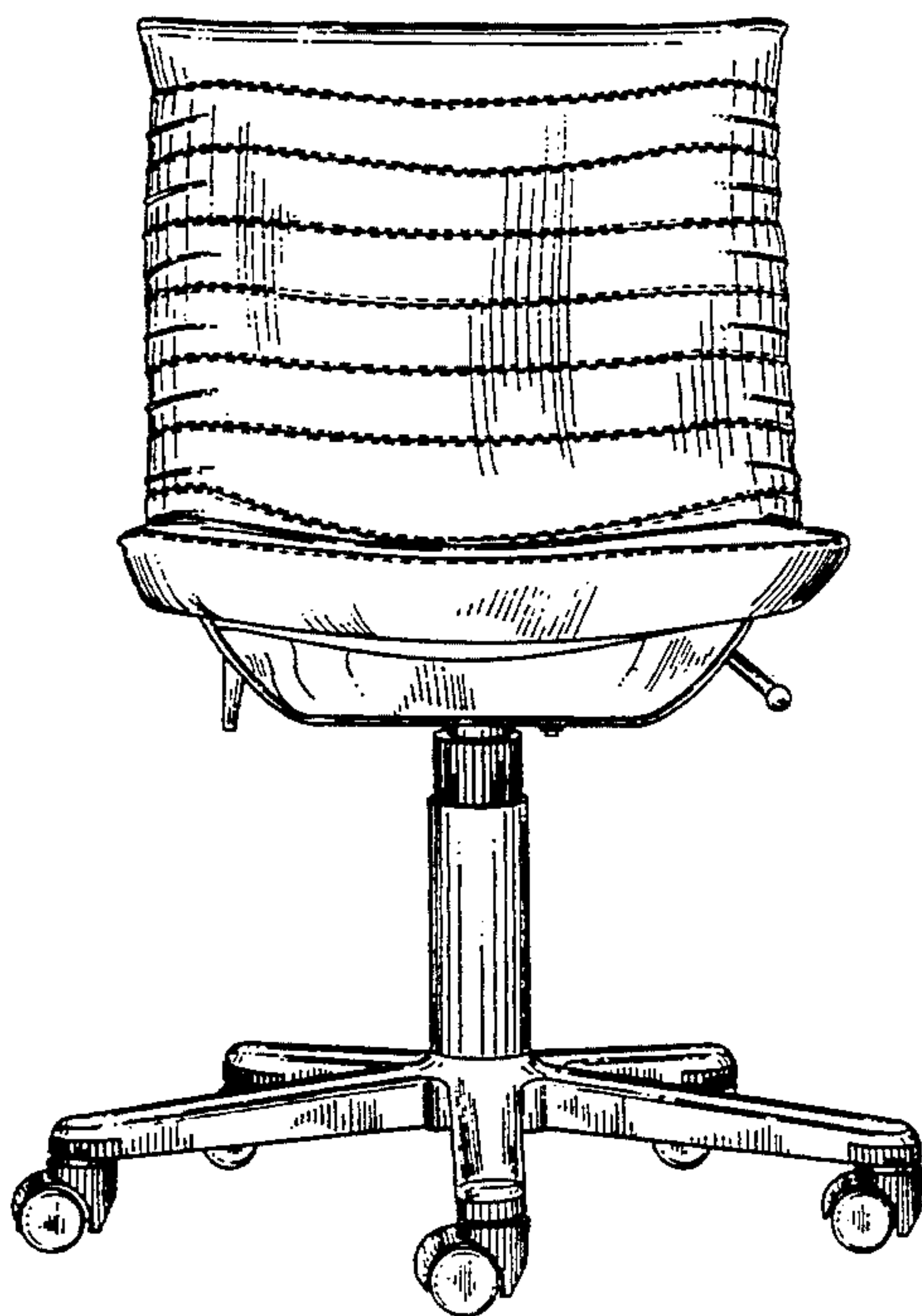
[57] **CLAIM**

The ornamental design for a chair, as shown and described.

**DESCRIPTION**

FIG. 1 is a front perspective view of a first embodiment of a chair according to my new design;  
 FIG. 2 is a right side perspective view of the first embodiment;  
 FIG. 3 is a left side perspective view of the first embodiment;  
 FIG. 4 is a top perspective view of the first embodiment;  
 FIG. 5 is a bottom perspective view of the first embodiment;  
 FIG. 6 is a rear perspective view of the first embodiment;  
 FIG. 7 is a front perspective view of a second embodiment of a chair according to my new design;  
 FIG. 8 is a right side perspective view of the second embodiment;  
 FIG. 9 is a left side perspective view of the second embodiment;  
 FIG. 10 is a top perspective view of the second embodiment;  
 FIG. 11 is a bottom perspective view of the second embodiment; and,  
 FIG. 12 is a rear perspective view of the second embodiment.

The dashed lines in the drawings represent stitching. The rotational position of the seat on the column of the base and the rotational positions of the casters on the legs of the base vary among the figures. The adjustment levers are not visible in FIGS. 5 and 11, inasmuch as they are hidden by the legs of the base.



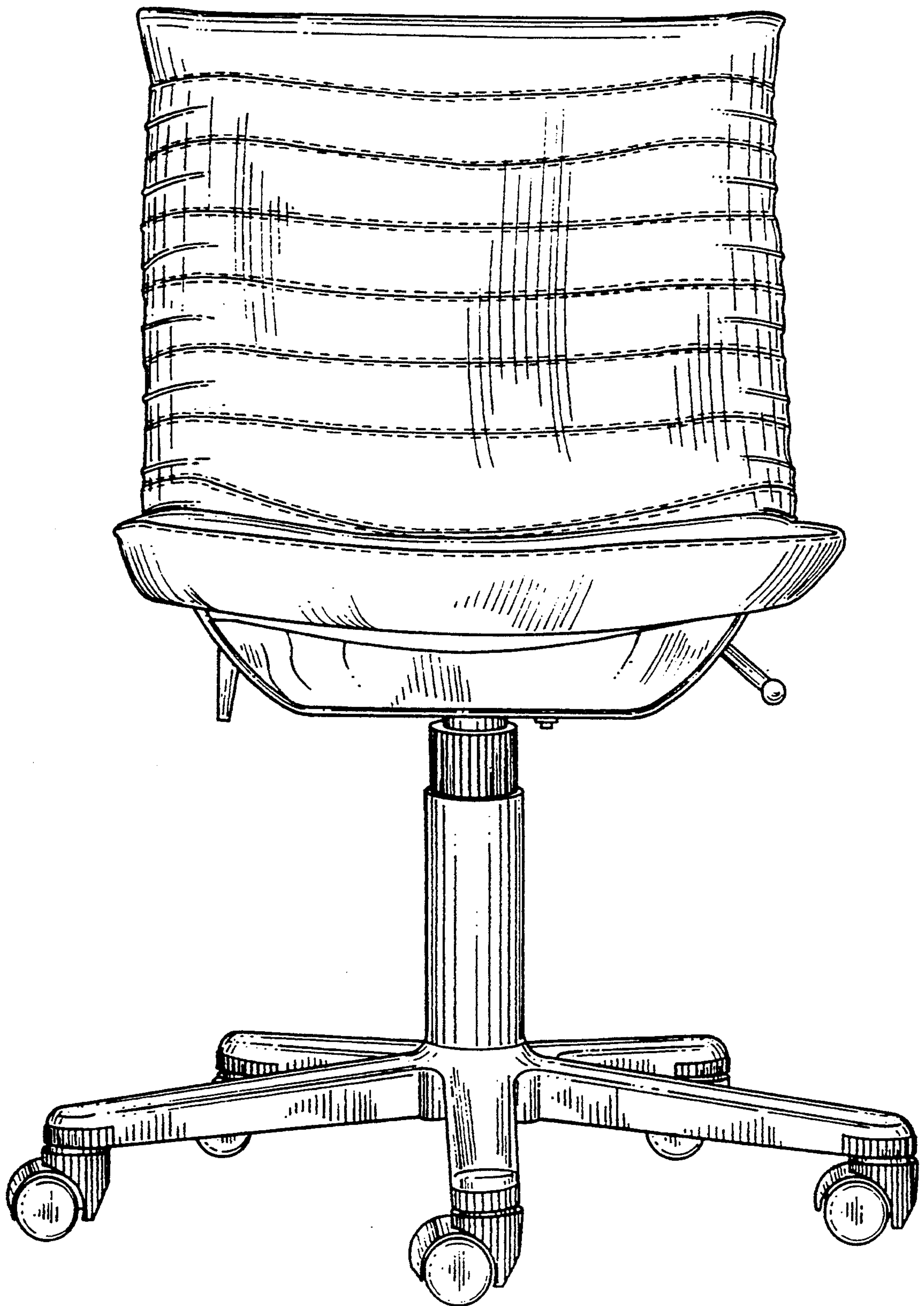


FIG. 1



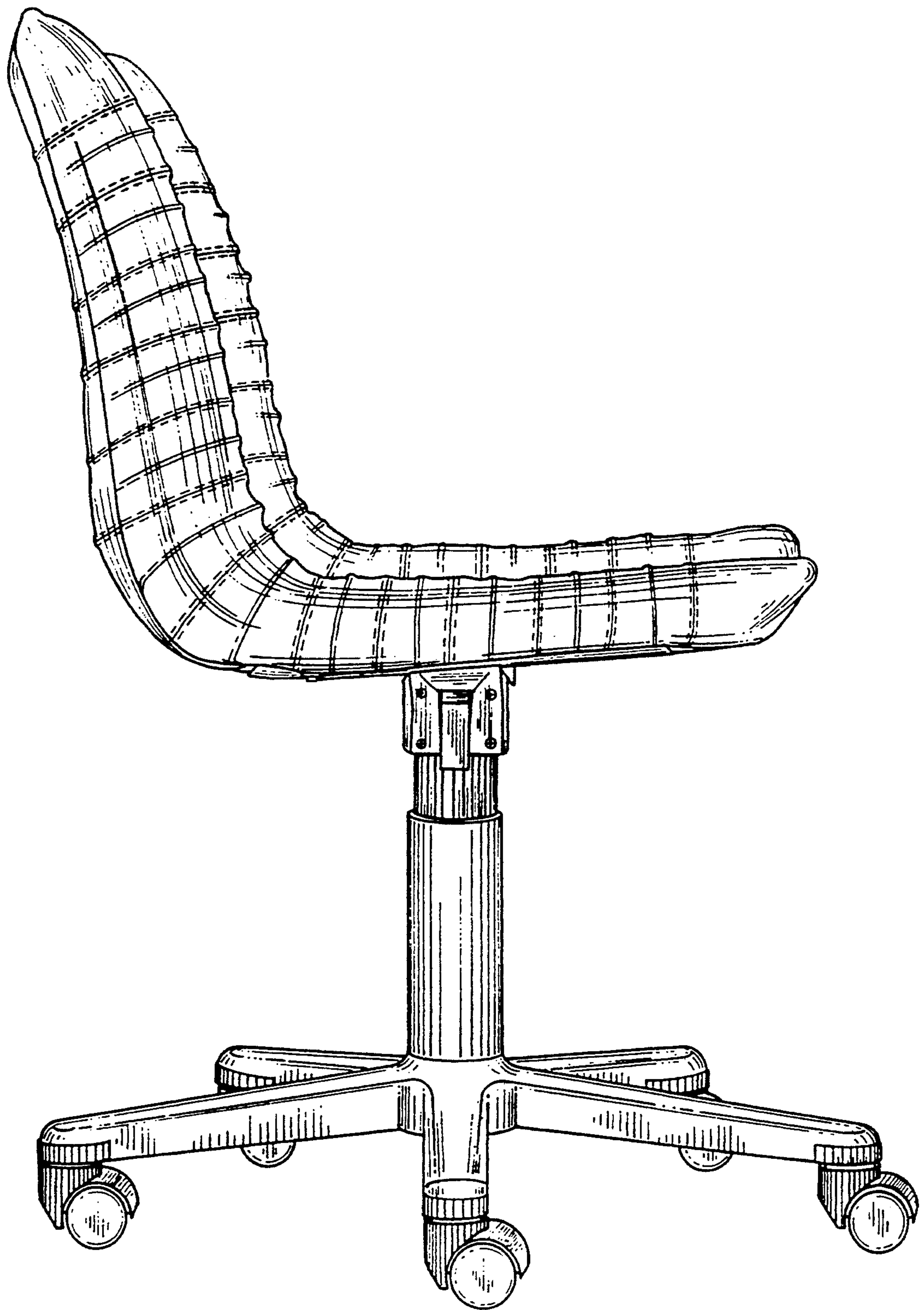


FIG. 2

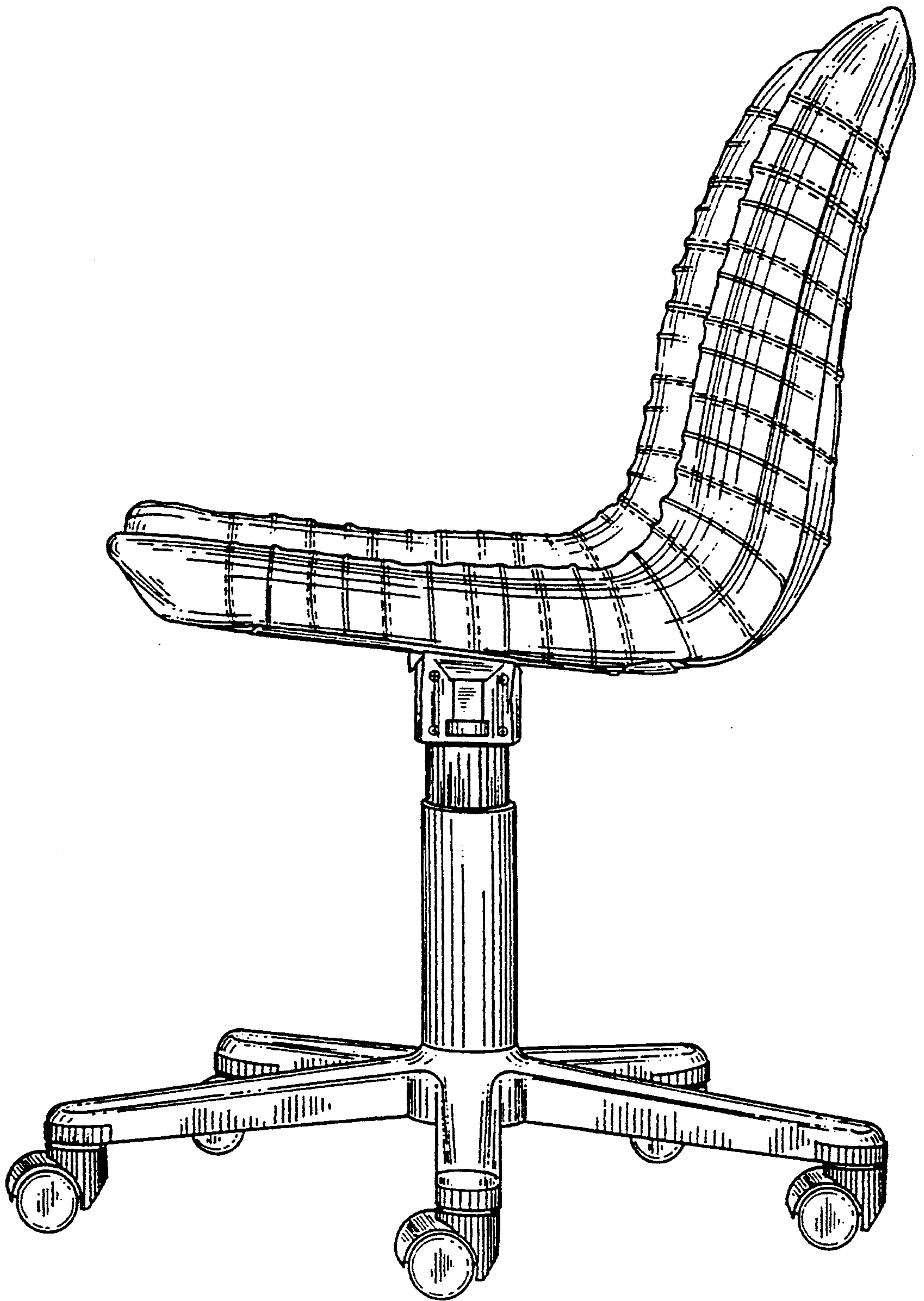


FIG. 3

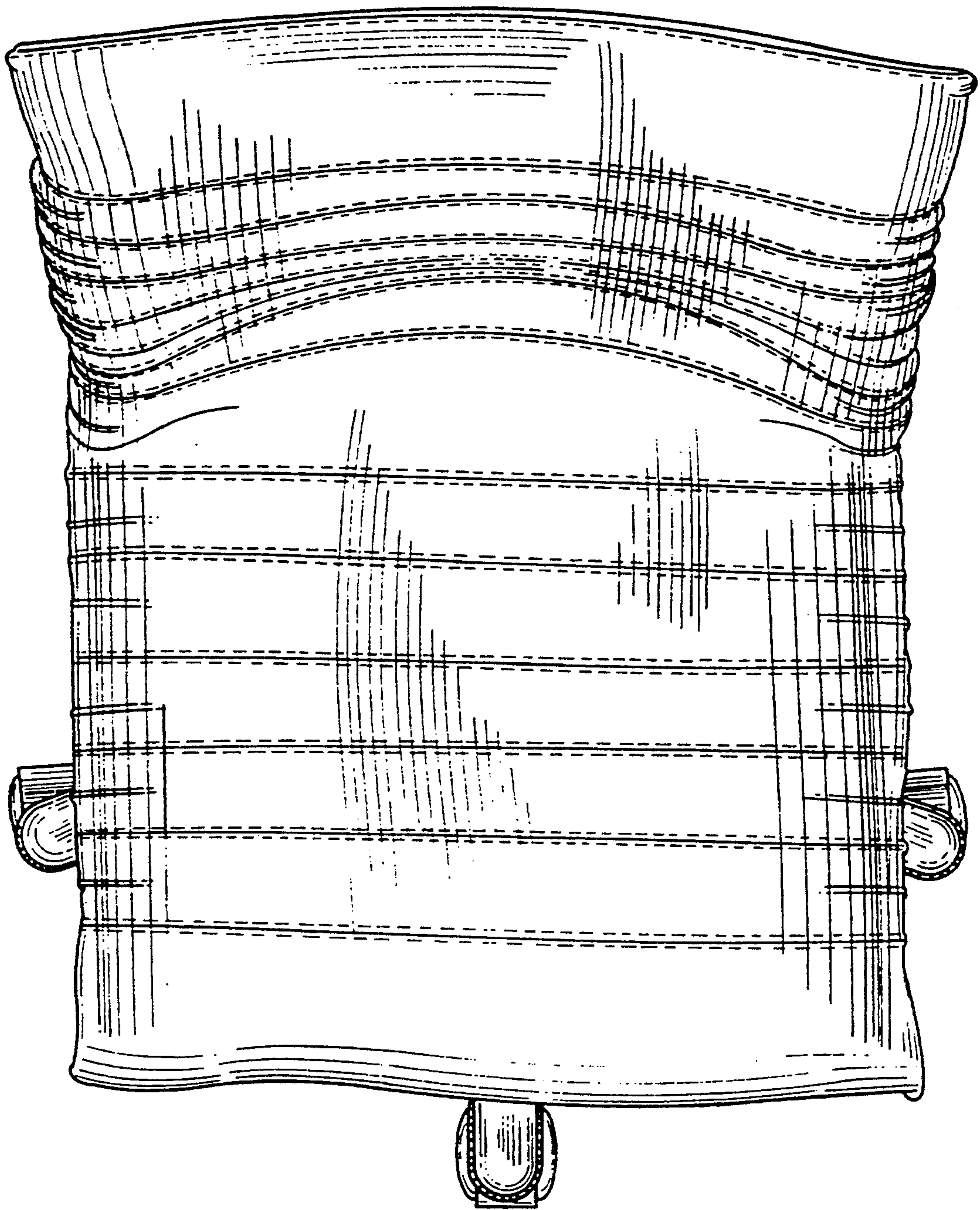


FIG. 4



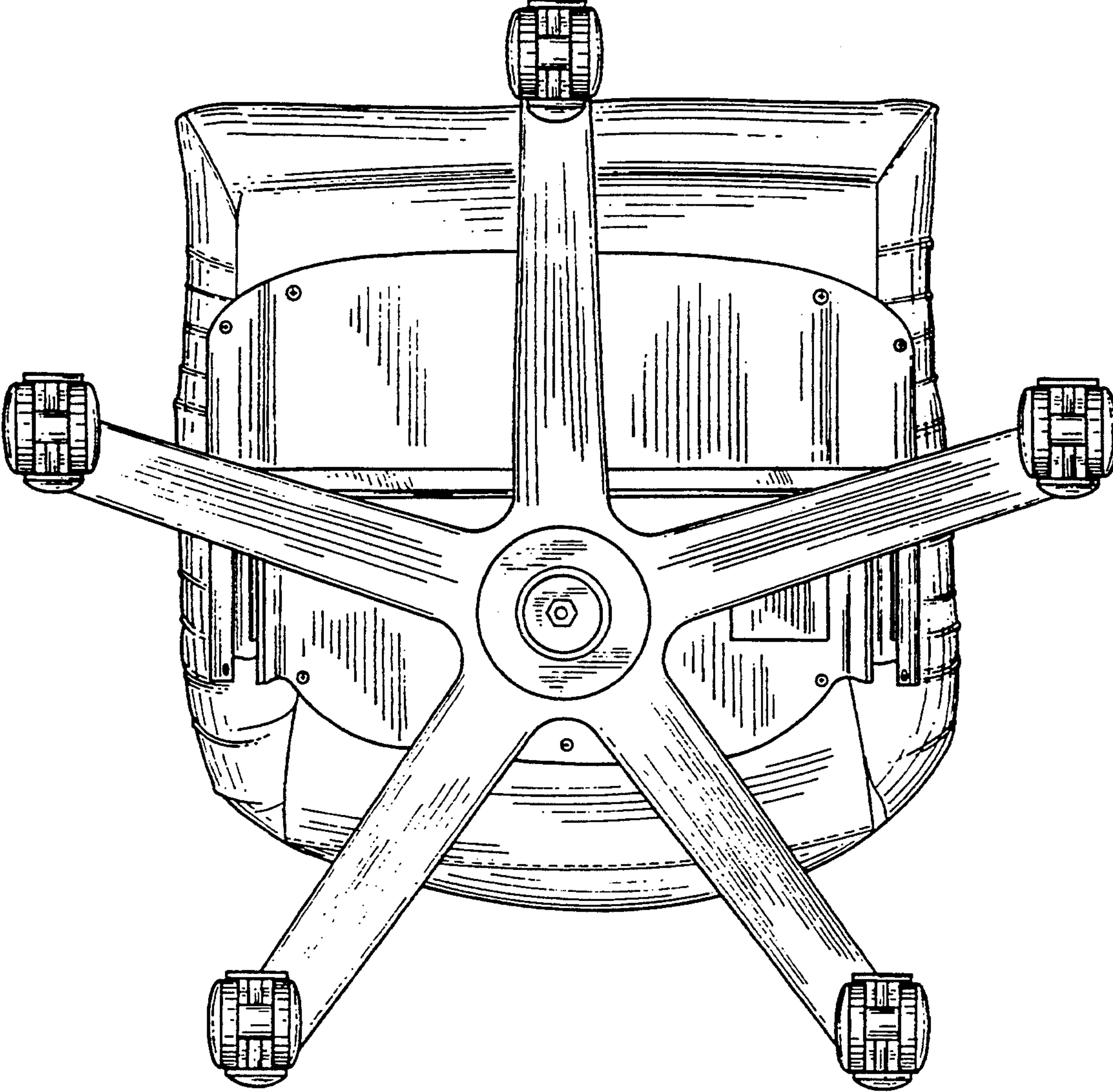


FIG. 5

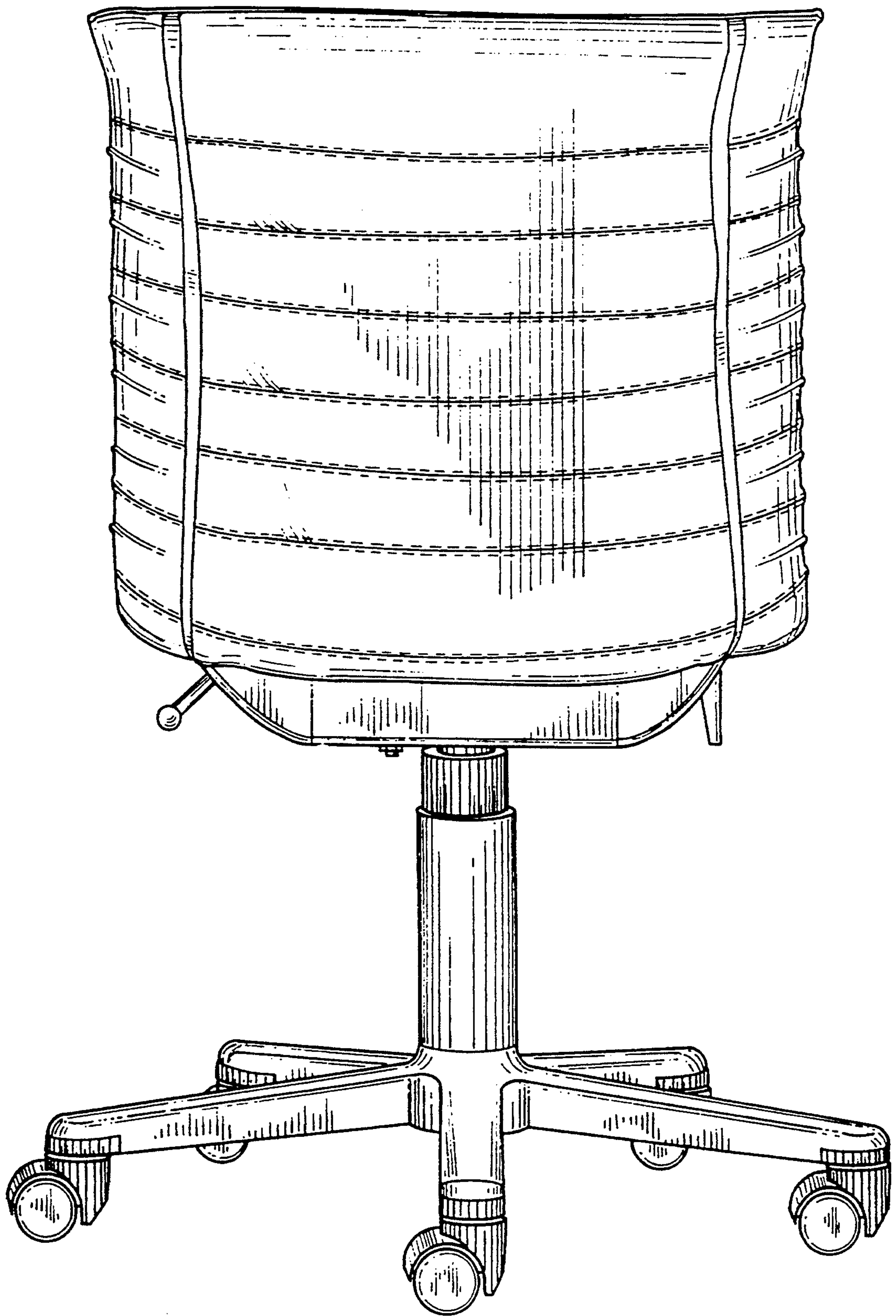


FIG. 6

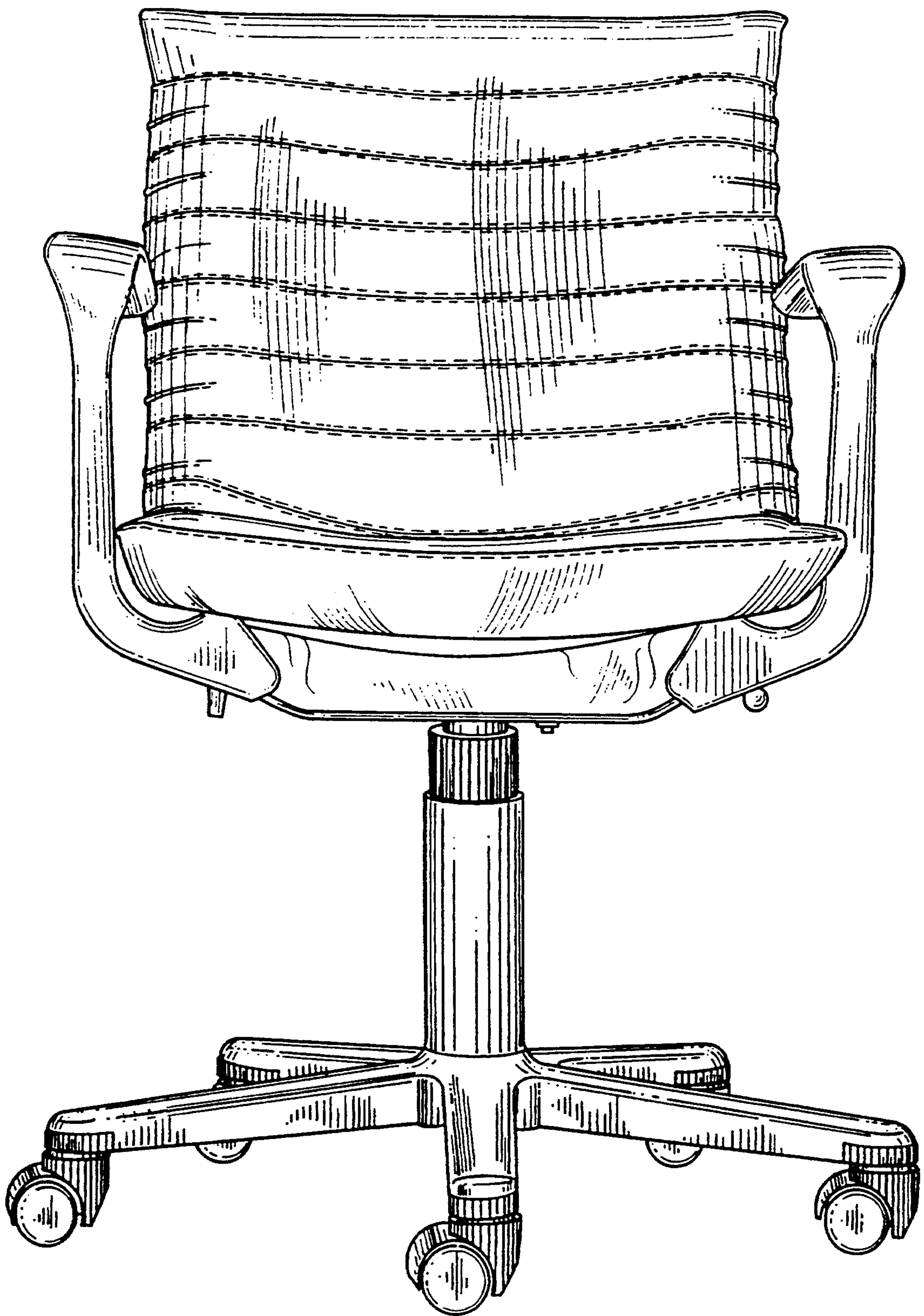


FIG. 7



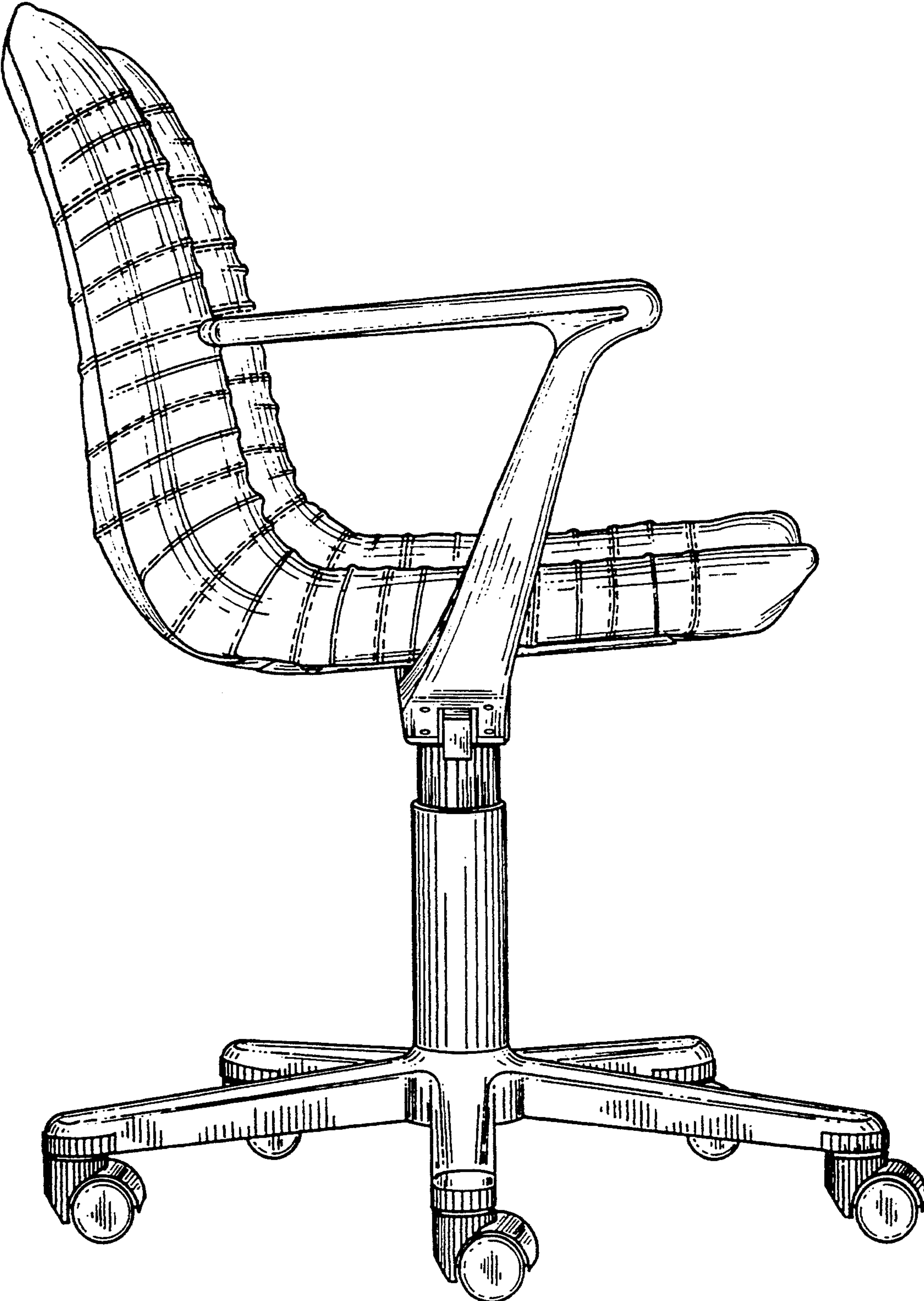


FIG. 8

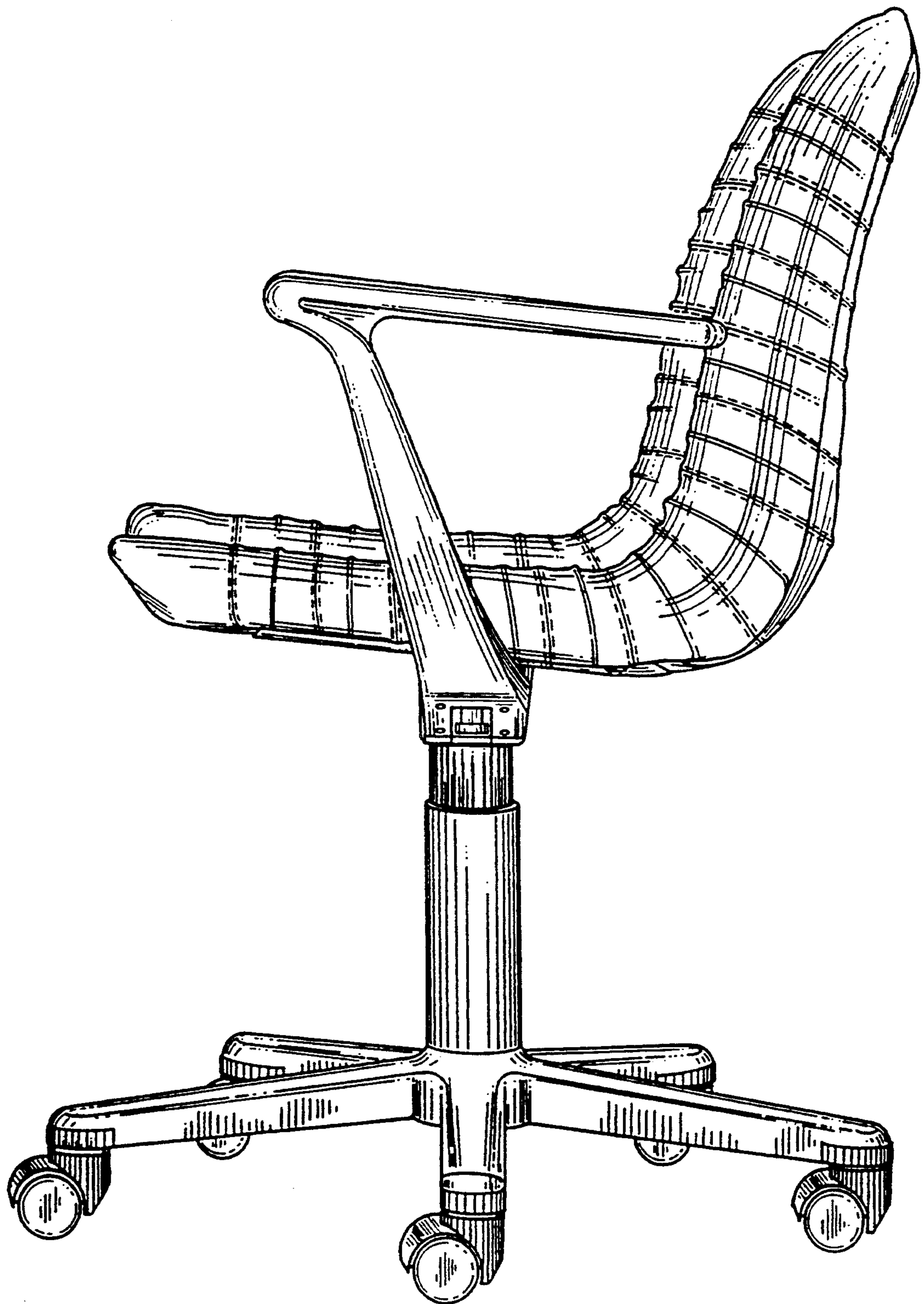


FIG. 9

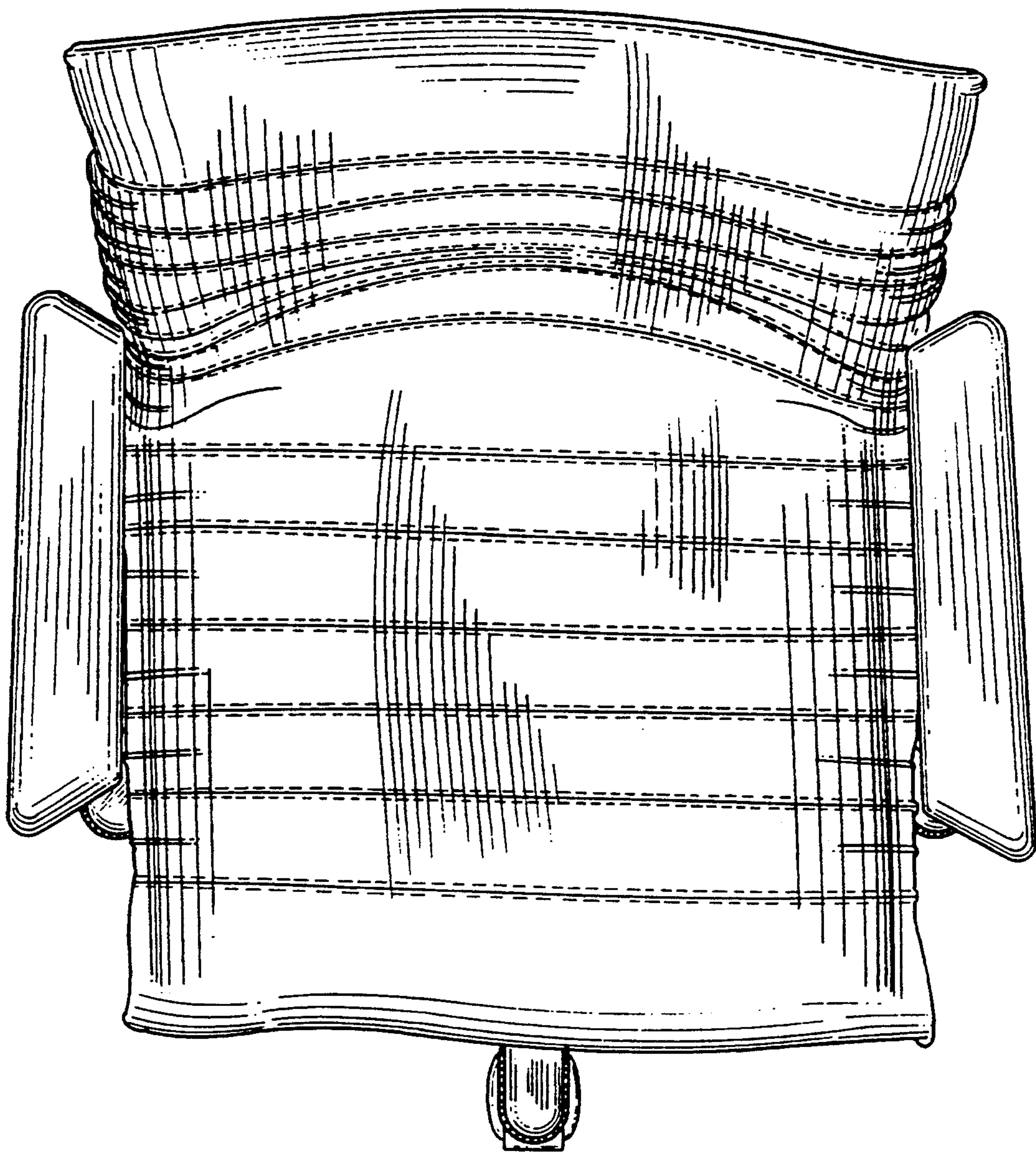


FIG. 10



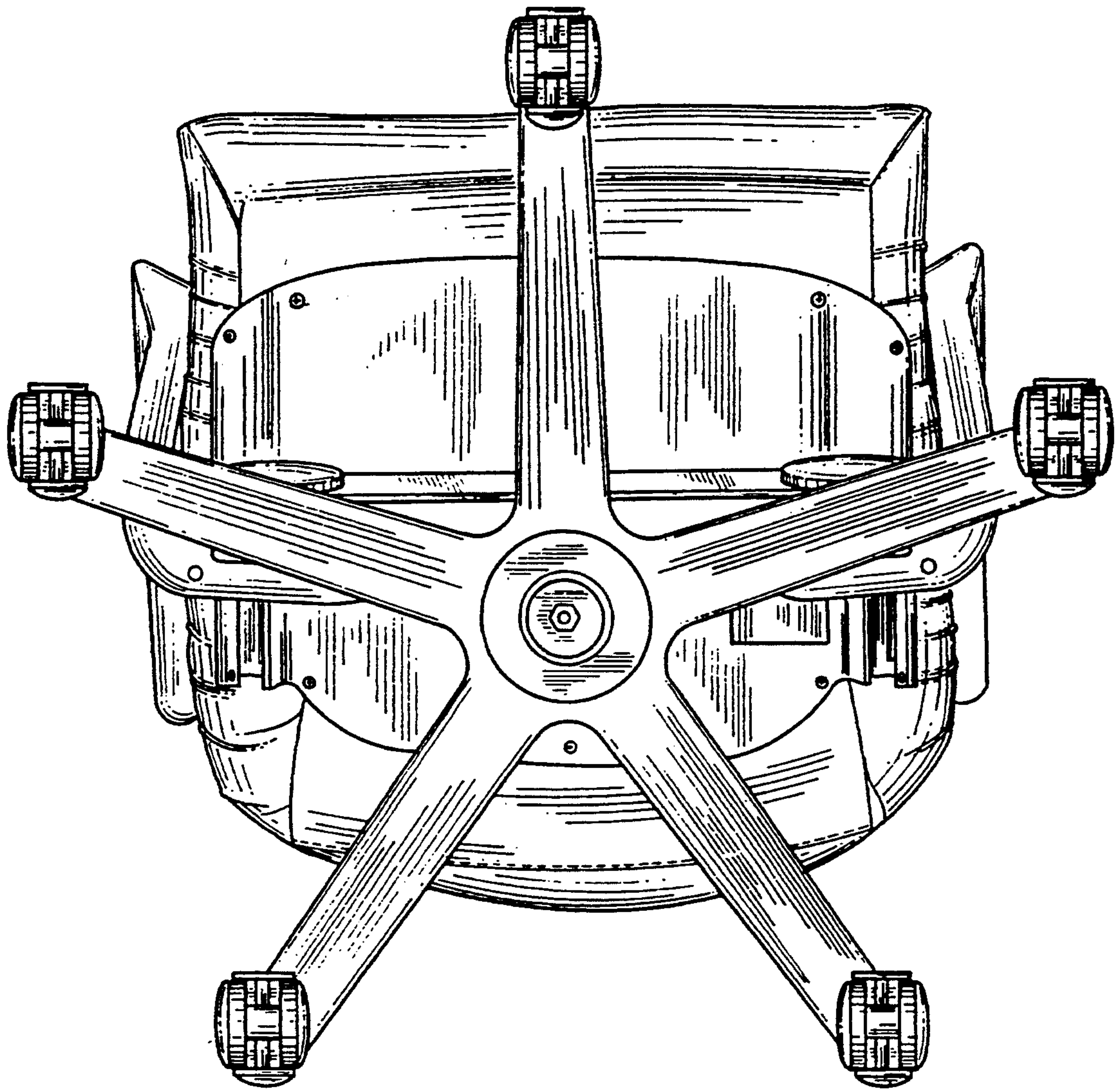


FIG. 11

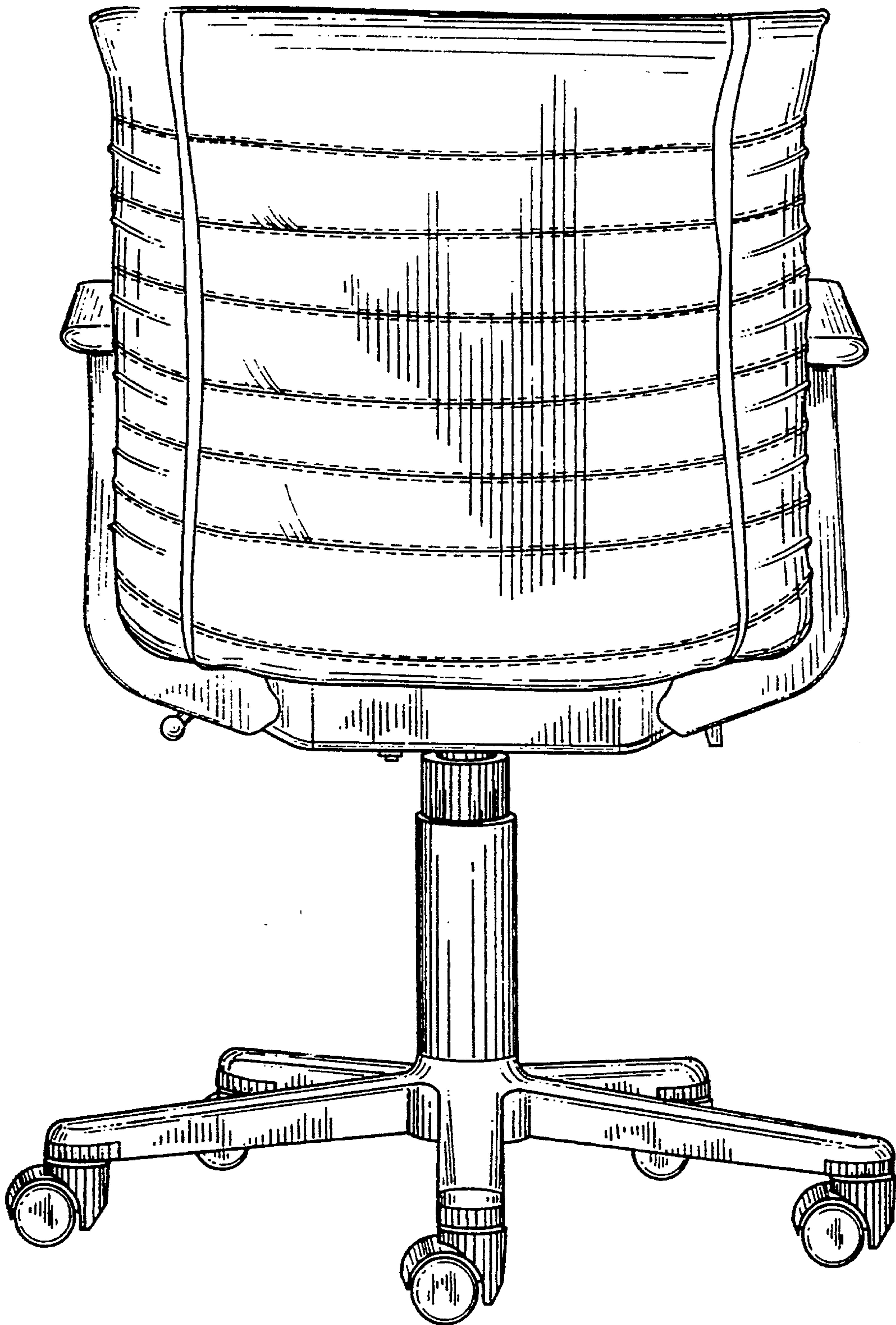


FIG. 12