



US00D353265S

**United States Patent** [19]  
**Newby, Sr.**

[11] **Patent Number: Des. 353,265**  
[45] **Date of Patent: \*\* Dec. 13, 1994**

[54] **CASE FOR A VIDEO RECORDER**  
[75] **Inventor: John P. Newby, Sr., Raleigh, N.C.**  
[73] **Assignee: Southern Case, Inc., Raleigh, N.C.**  
[\*\*] **Term: 14 Years**  
[21] **Appl. No.: 6,494**  
[22] **Filed: Mar. 31, 1993**  
[52] **U.S. Cl. .... D3/269; D3/273; D3/276**  
[58] **Field of Search ..... D3/269, 273, 276, 282, D3/283, 291, 294; 190/18 R, 100, 115, 900; 206/278, 305, 349**

*Primary Examiner*—Bernard Ansher  
*Assistant Examiner*—Dominic Simone  
*Attorney, Agent, or Firm*—Bell Seltzer Park & Gibson

[57] **CLAIM**

The ornamental design for a case for a video recorder, as shown and described.

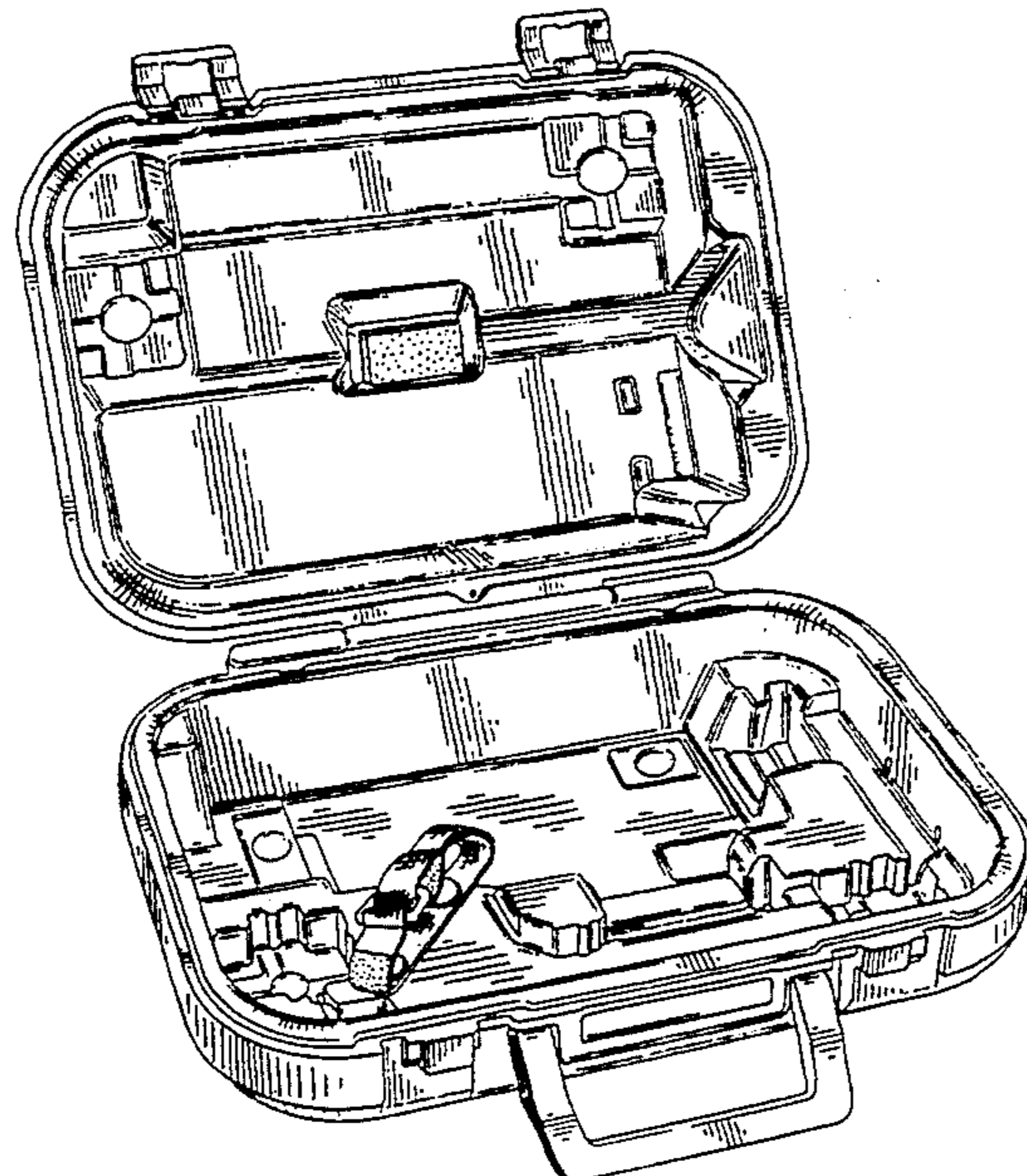
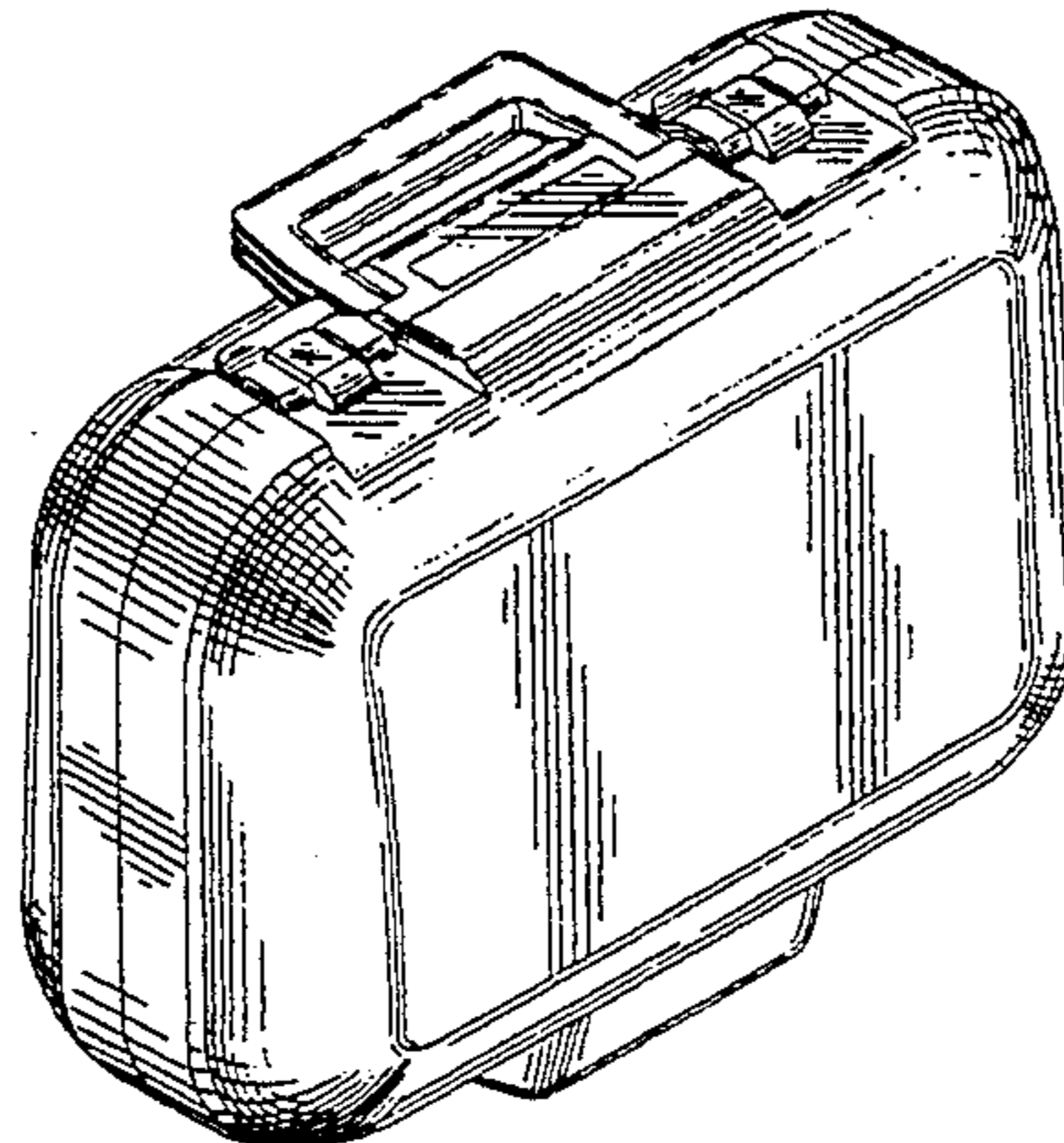
**DESCRIPTION**

FIG. 1 is a top, front, left perspective view of a case for a video recorder showing my new design;  
FIG. 2 is a front elevational view thereof;  
FIG. 3 is a left side elevational view, the right side being a mirror image thereof;  
FIG. 4 is a top plan view thereof;  
FIG. 5 is a bottom plan view thereof;  
FIG. 6 is a top, front, left perspective view thereof in the open position;  
FIG. 7 is a plan view of the interior thereof in the open position; and,  
FIG. 8 is a front elevational view thereof in the open position.

[56] **References Cited**

**U.S. PATENT DOCUMENTS**

D. 200,143 1/1965 Ronvik ..... D3/292  
D. 247,394 2/1978 Linke ..... D3/282  
D. 300,988 5/1989 Melk ..... D3/282



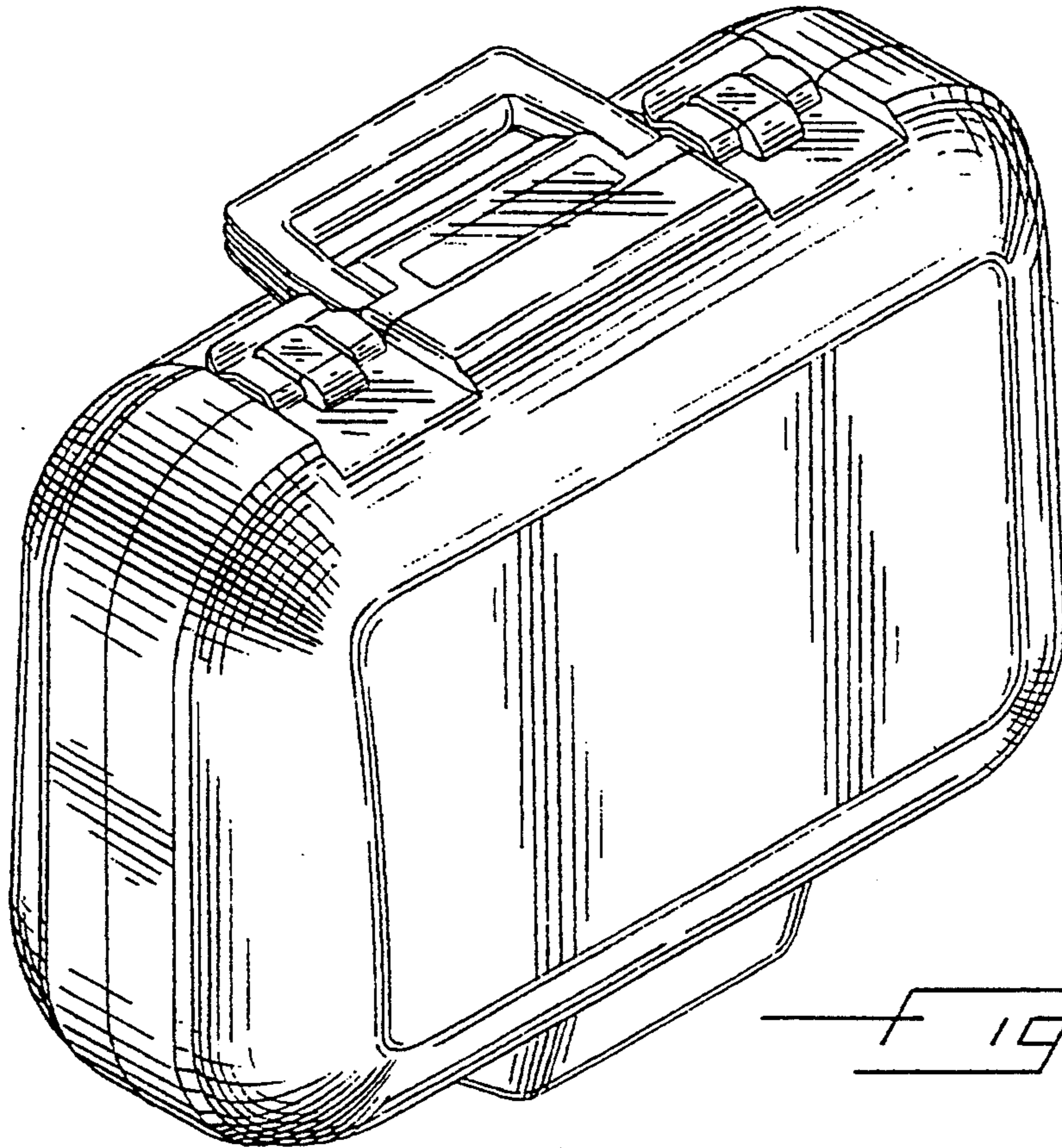


Fig. 1.

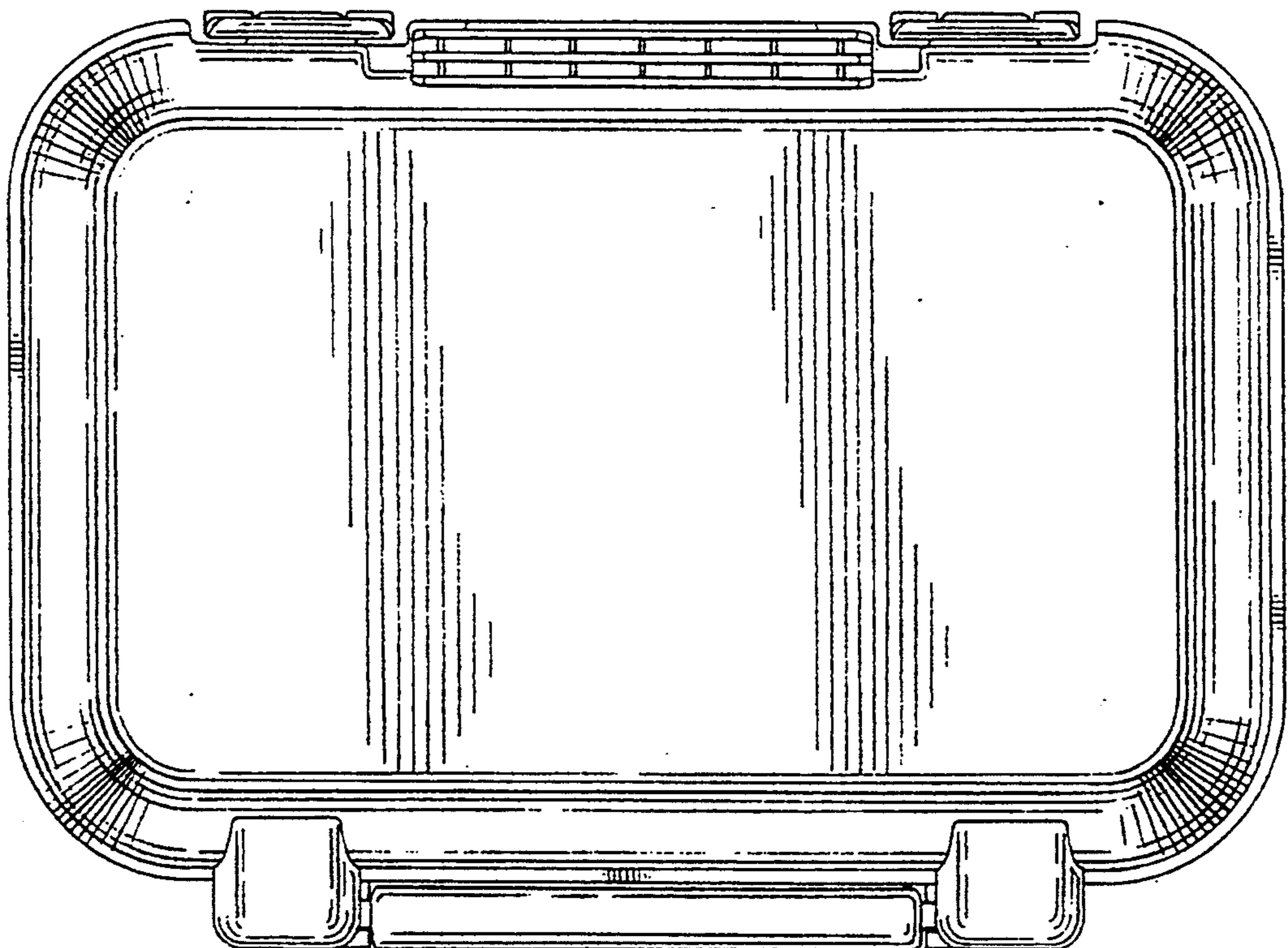
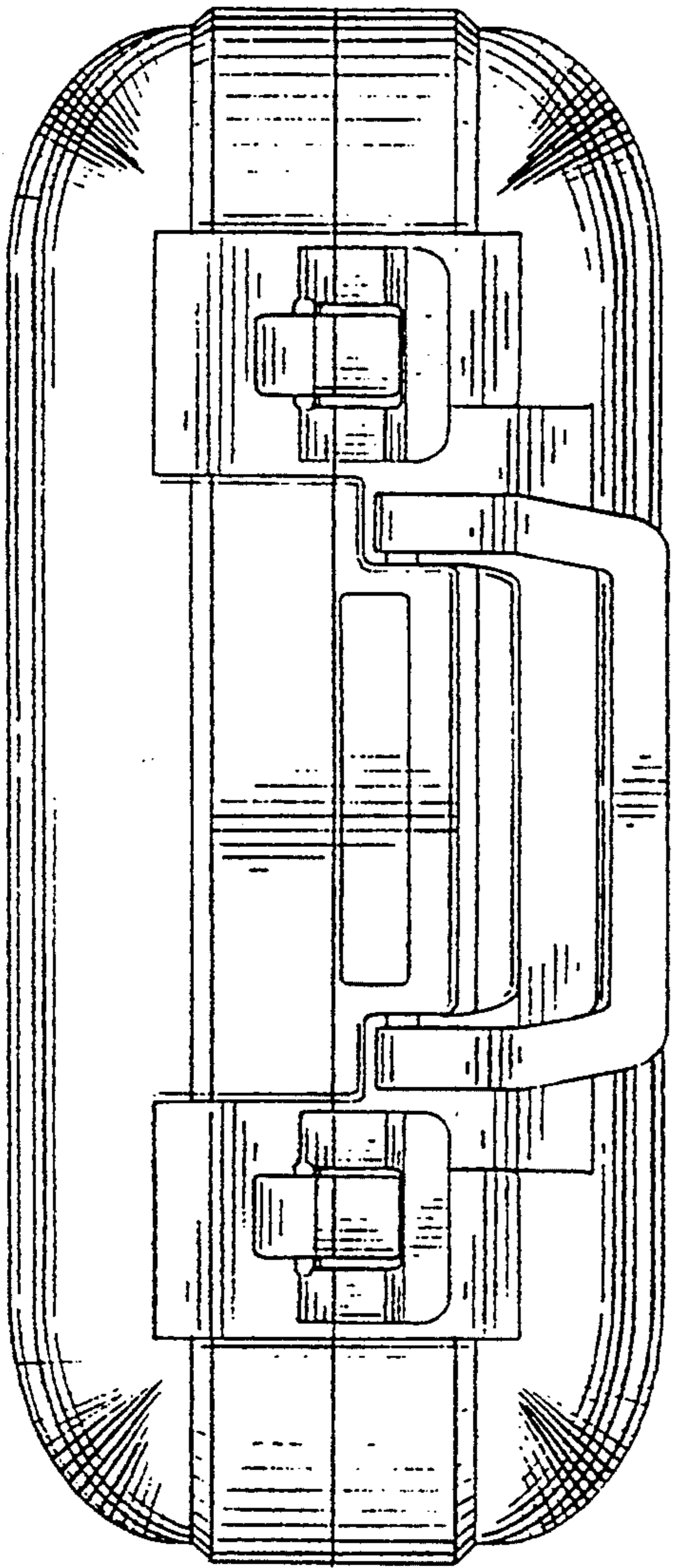
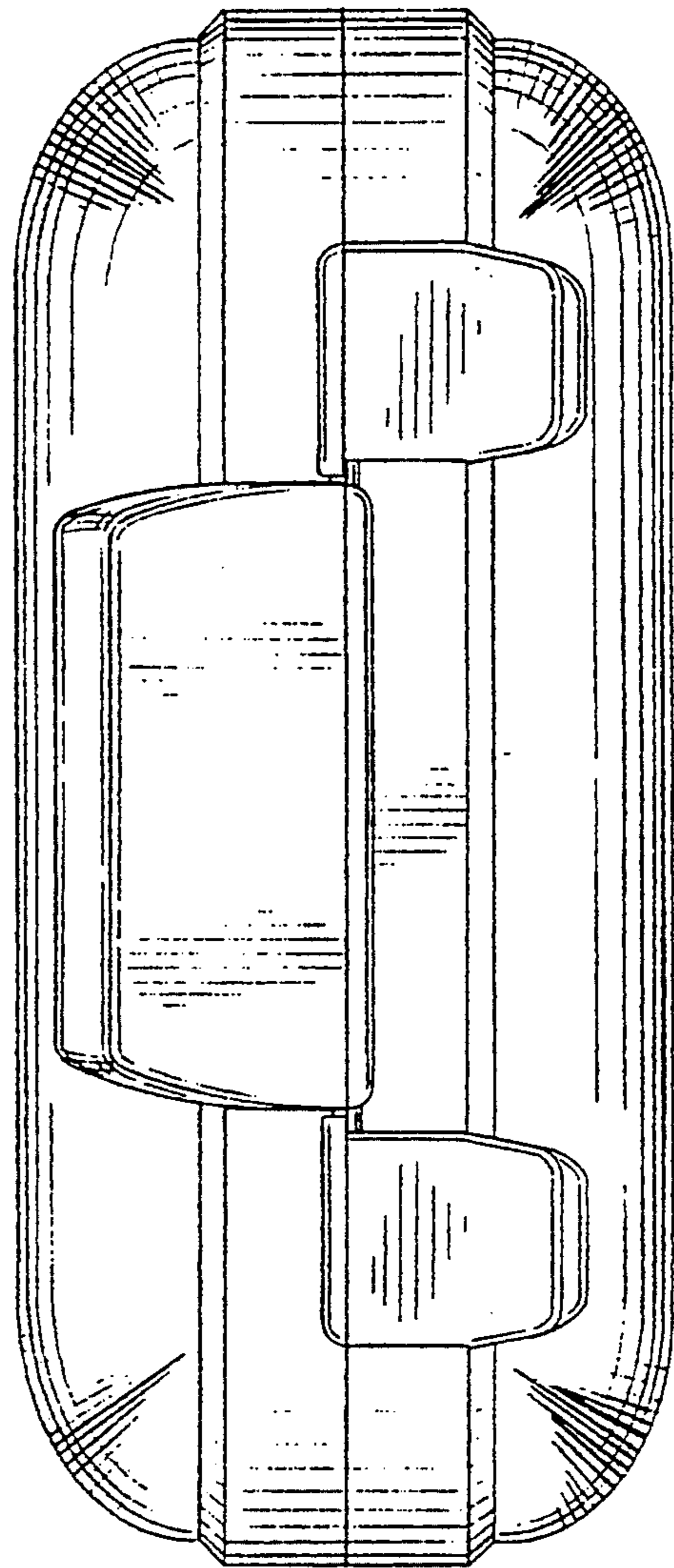


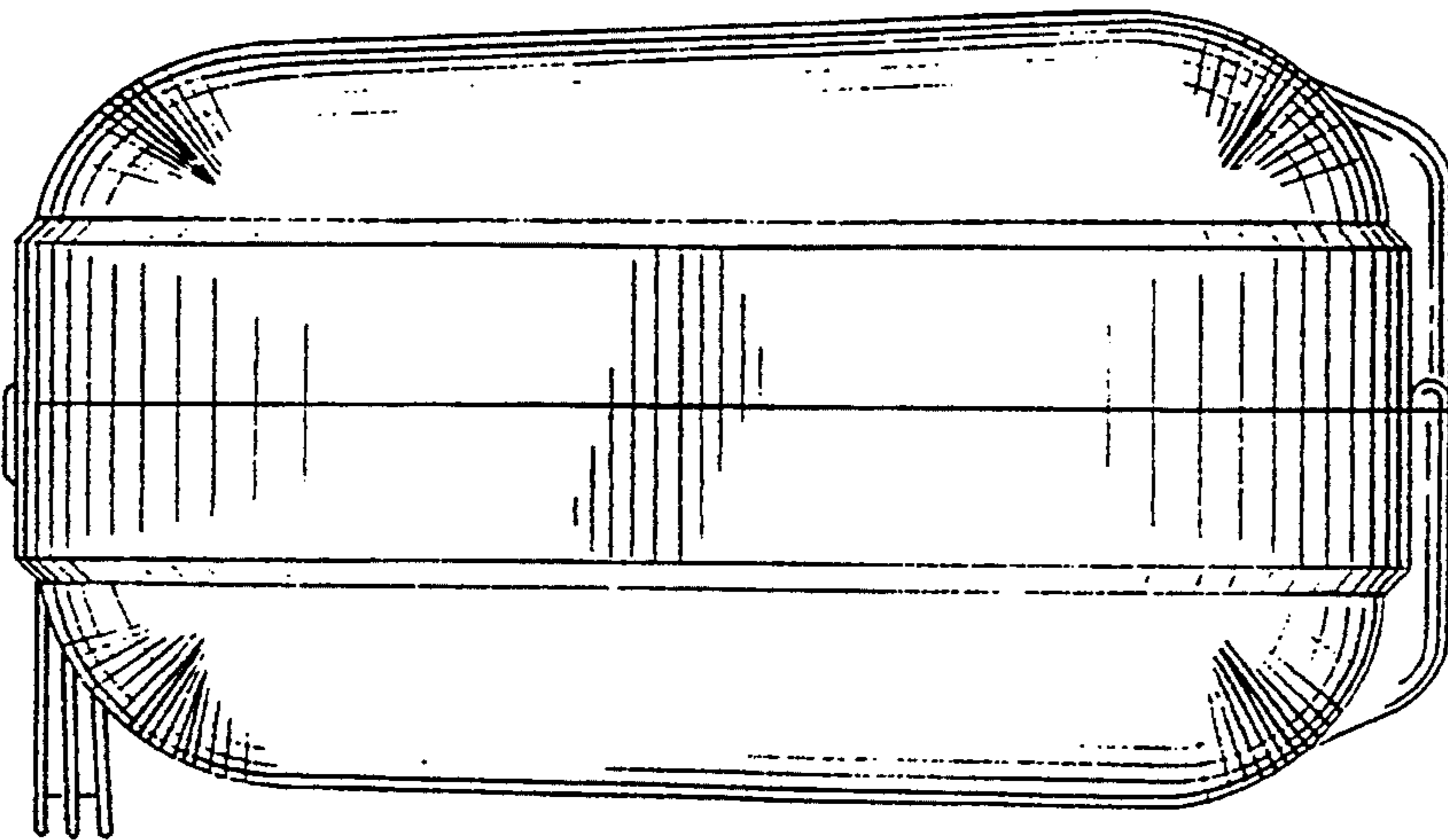
Fig. 2.



F 19.4.



F 19.5.



F 19.3.

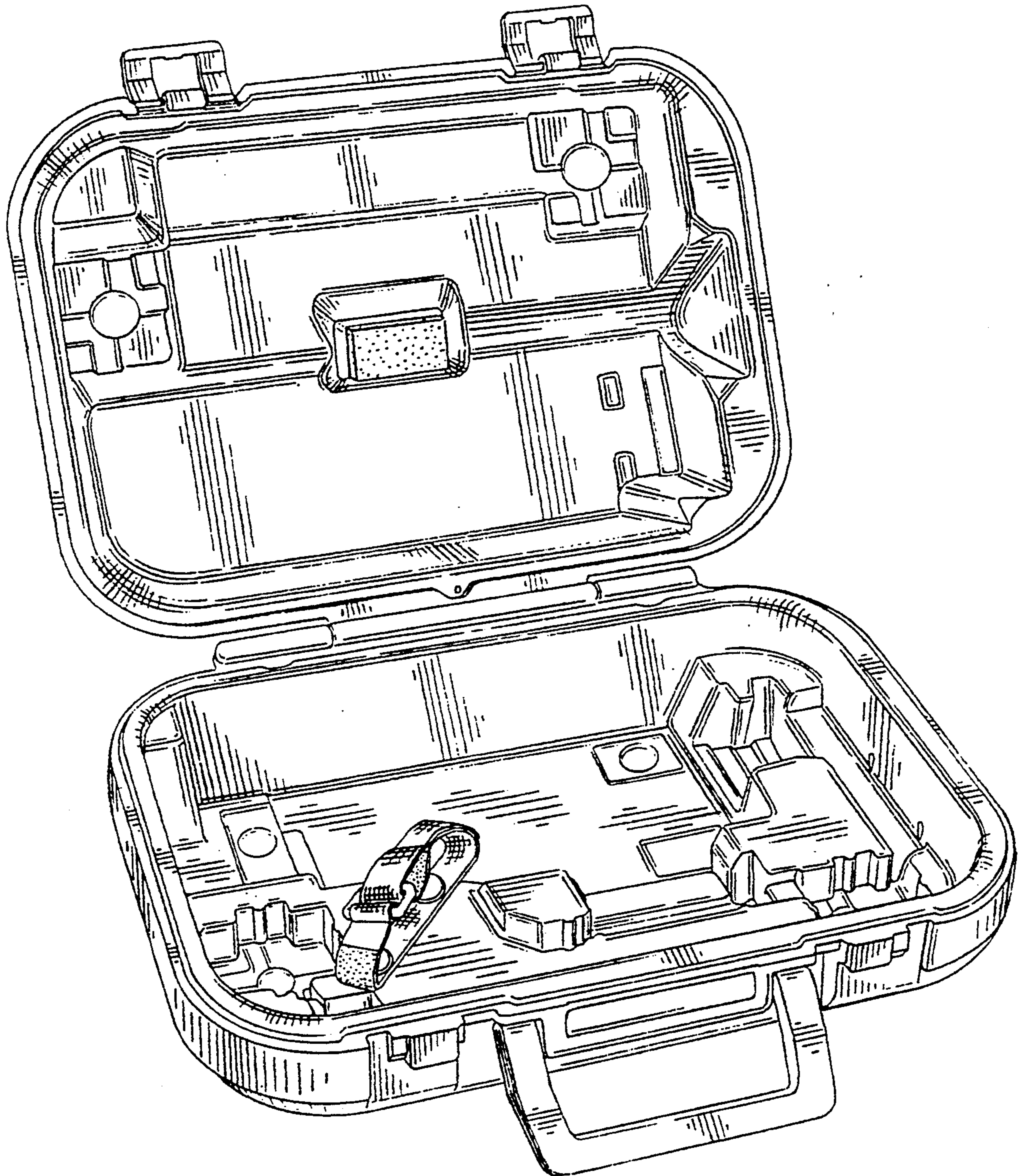


Fig. 6.

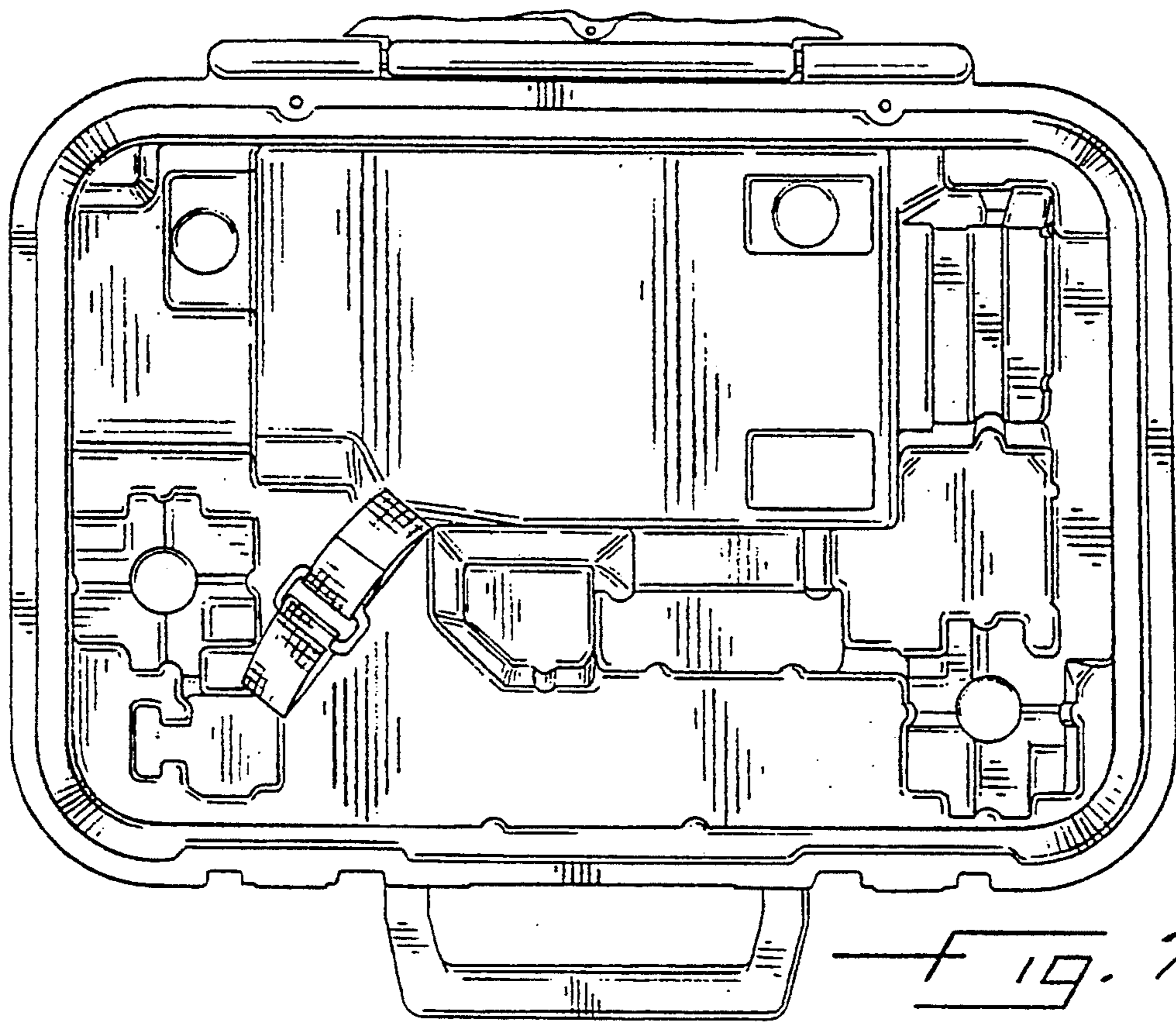


FIG. 7.

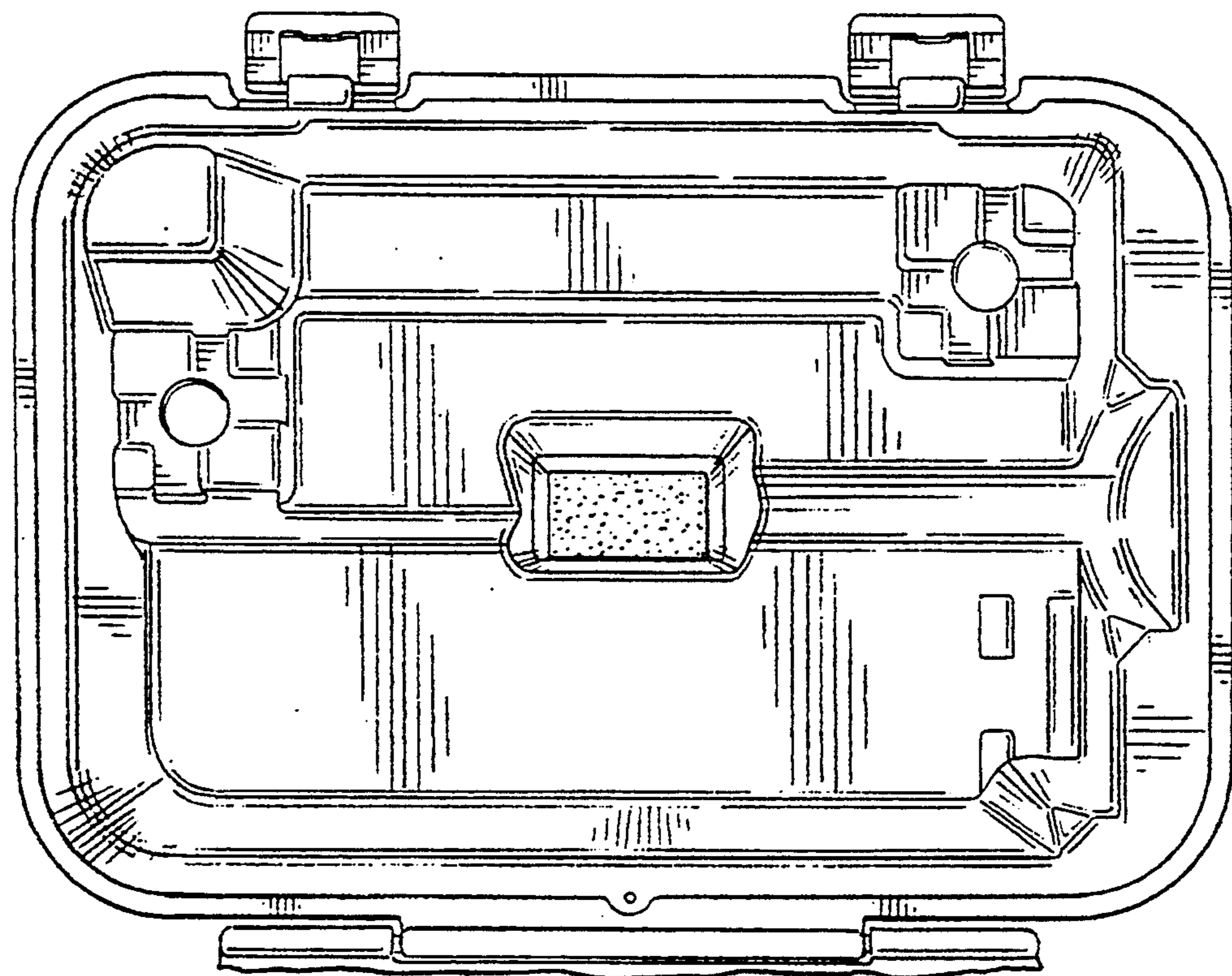


FIG. 8.