



US00D353260S

# United States Patent [19]

[11] Patent Number: **Des. 353,260**

**Barras**

[45] Date of Patent: **\*\* Dec. 13, 1994**

[54] **UMBRELLA**

2,225,699 12/1940 Kastel ..... 135/16 X  
3,309,091 3/1967 Haecker ..... D21/6 X

[76] Inventor: **Paul E. Barras, 7623 Coronado Blvd.  
South, Reynoldsburg, Ohio 43068**

*Primary Examiner*—Louis S. Zarfes  
*Attorney, Agent, or Firm*—Frank H. Foster

[\*\*] Term: **14 Years**

[57] **CLAIM**

[21] Appl. No.: **15,270**

The ornamental design for an umbrella, as shown.

[22] Filed: **Nov. 12, 1993**

### DESCRIPTION

[52] U.S. Cl. .... **D3/6; D21/6**

[58] Field of Search ..... **D3/5-7,  
D3/10-17; 135/15.1, 16, 19.5, 25.4, 98; D21/6**

FIG. 1 is a front perspective view of an umbrella showing my new design;

FIG. 2 is a top view thereof;

FIG. 3 is a bottom view thereof;

FIG. 4 is a front view thereof;

FIG. 5 is a right side view thereof;

FIG. 6 is a rear view thereof;

FIG. 7 is a left side view thereof;

FIG. 8 is a front view thereof when collapsed;

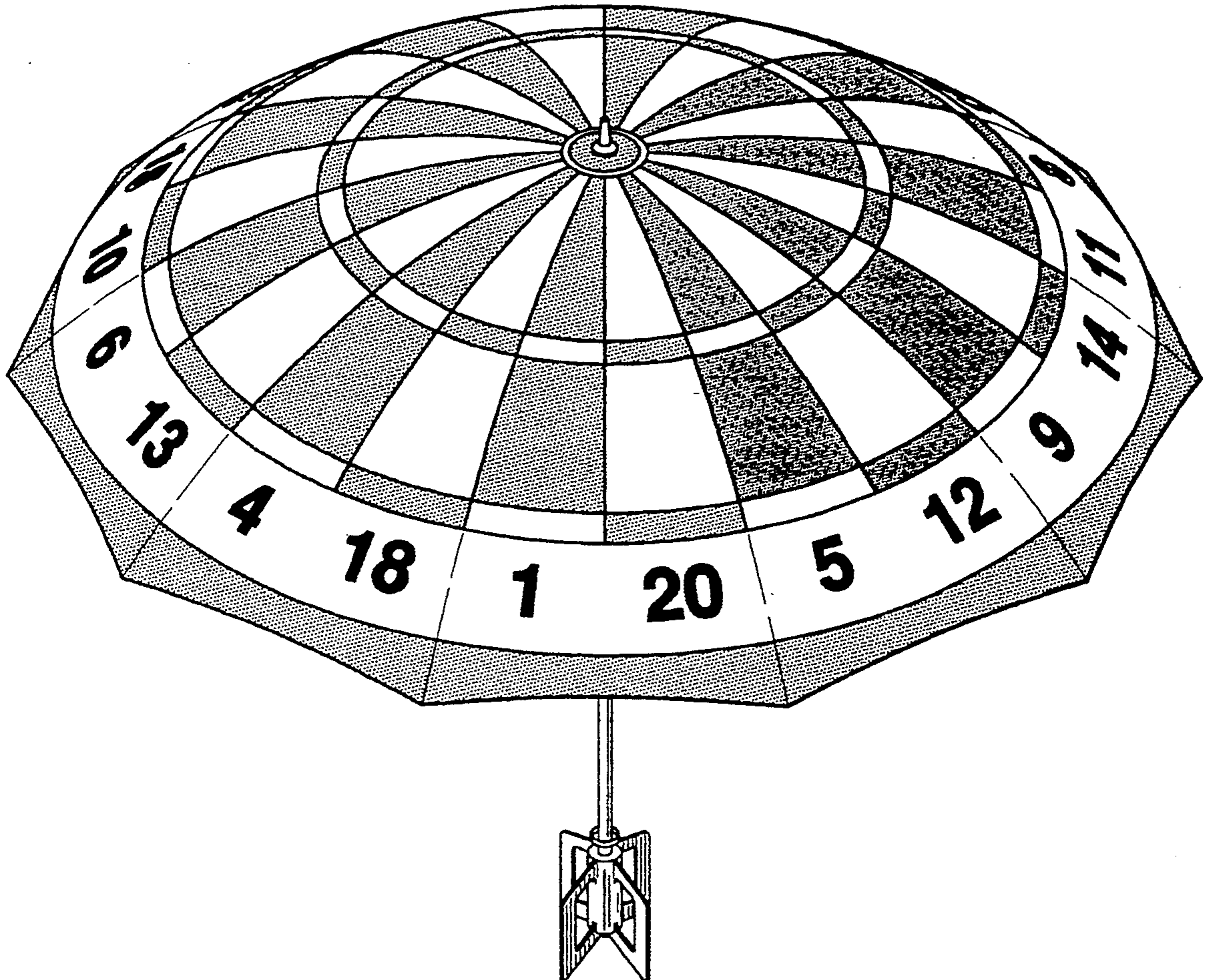
FIG. 9 is a top view thereof when collapsed; and,

FIG. 10 is a bottom view thereof when collapsed.

### [56] References Cited

#### U.S. PATENT DOCUMENTS

D. 36,092	9/1902	Smith	.....	D3/6
D. 46,250	8/1914	Doty	.....	D3/5
D. 54,877	4/1920	Toohy	.....	D21/6
D. 117,663	11/1939	Doty	.....	D3/5
2,060,405	11/1936	Widmeier	.....	D21/6 X



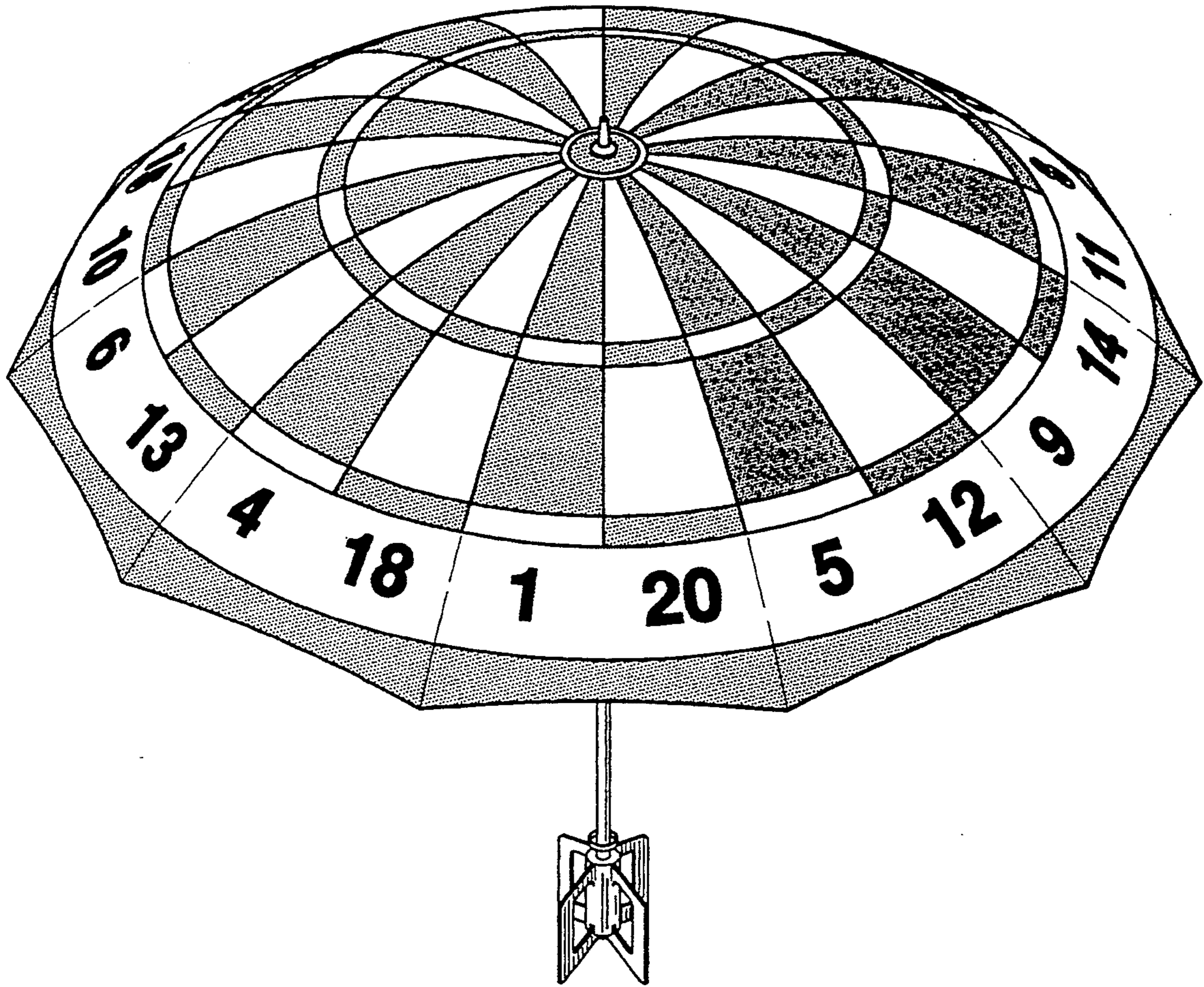


FIG-1

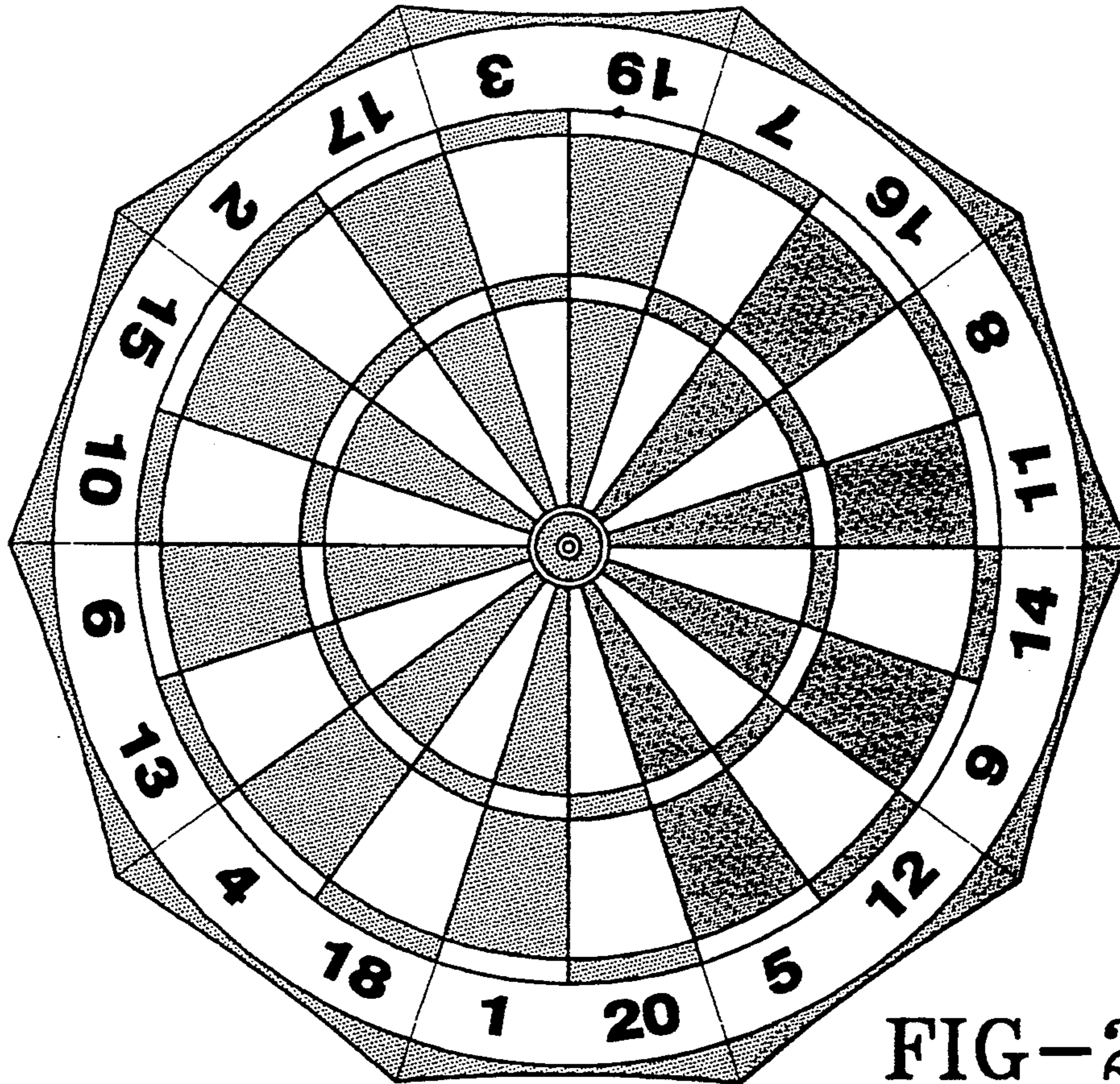


FIG-2

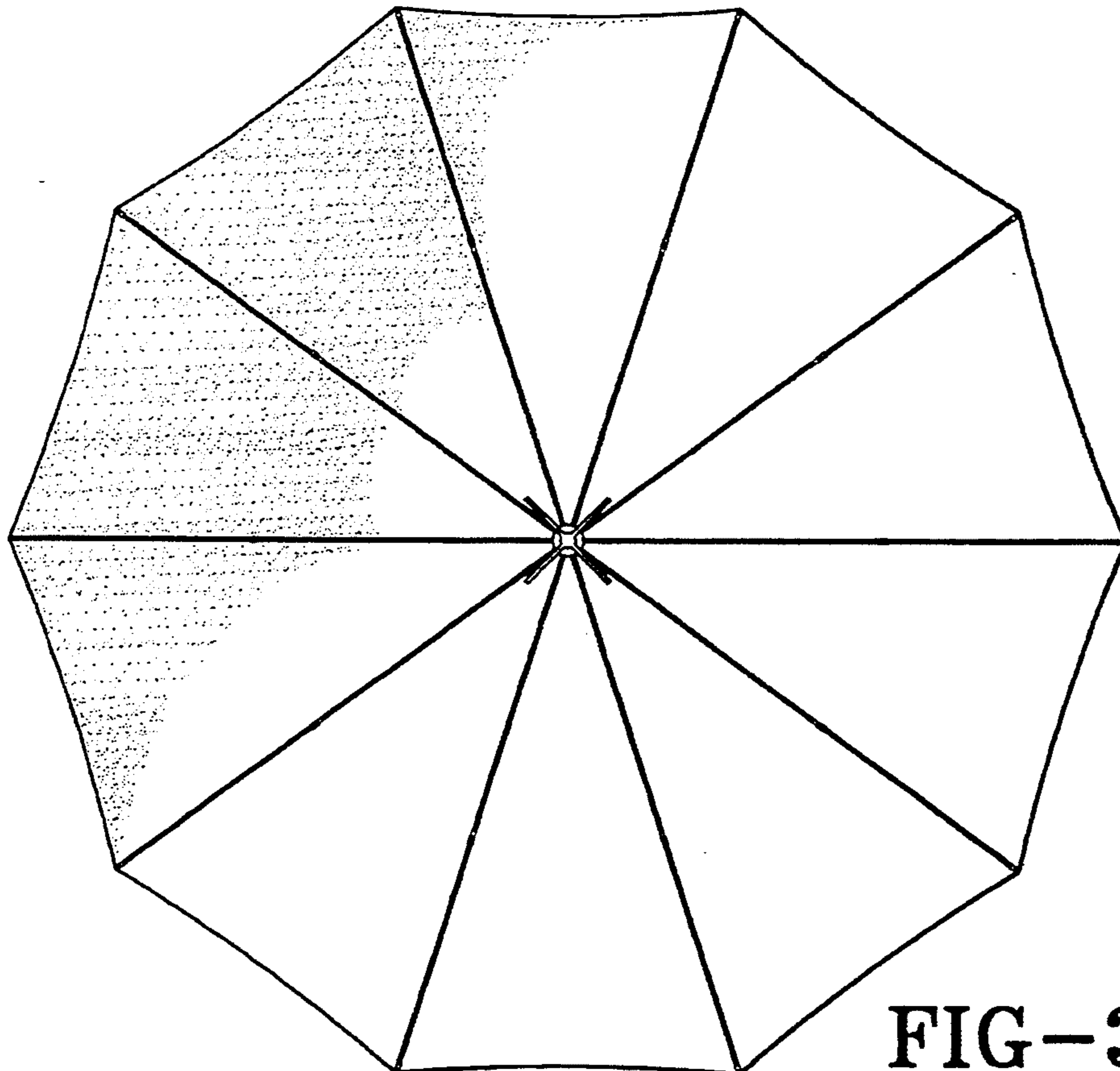
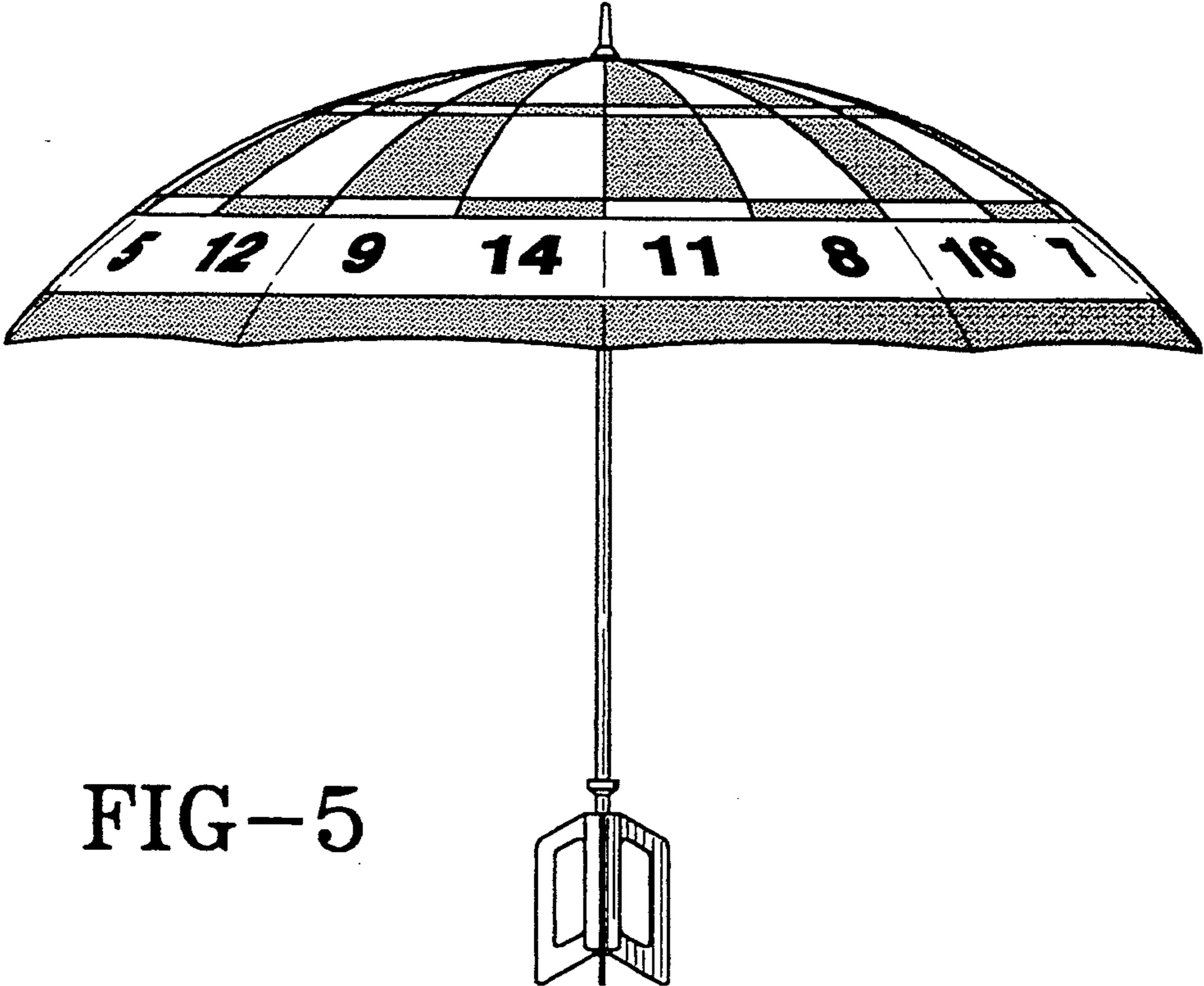
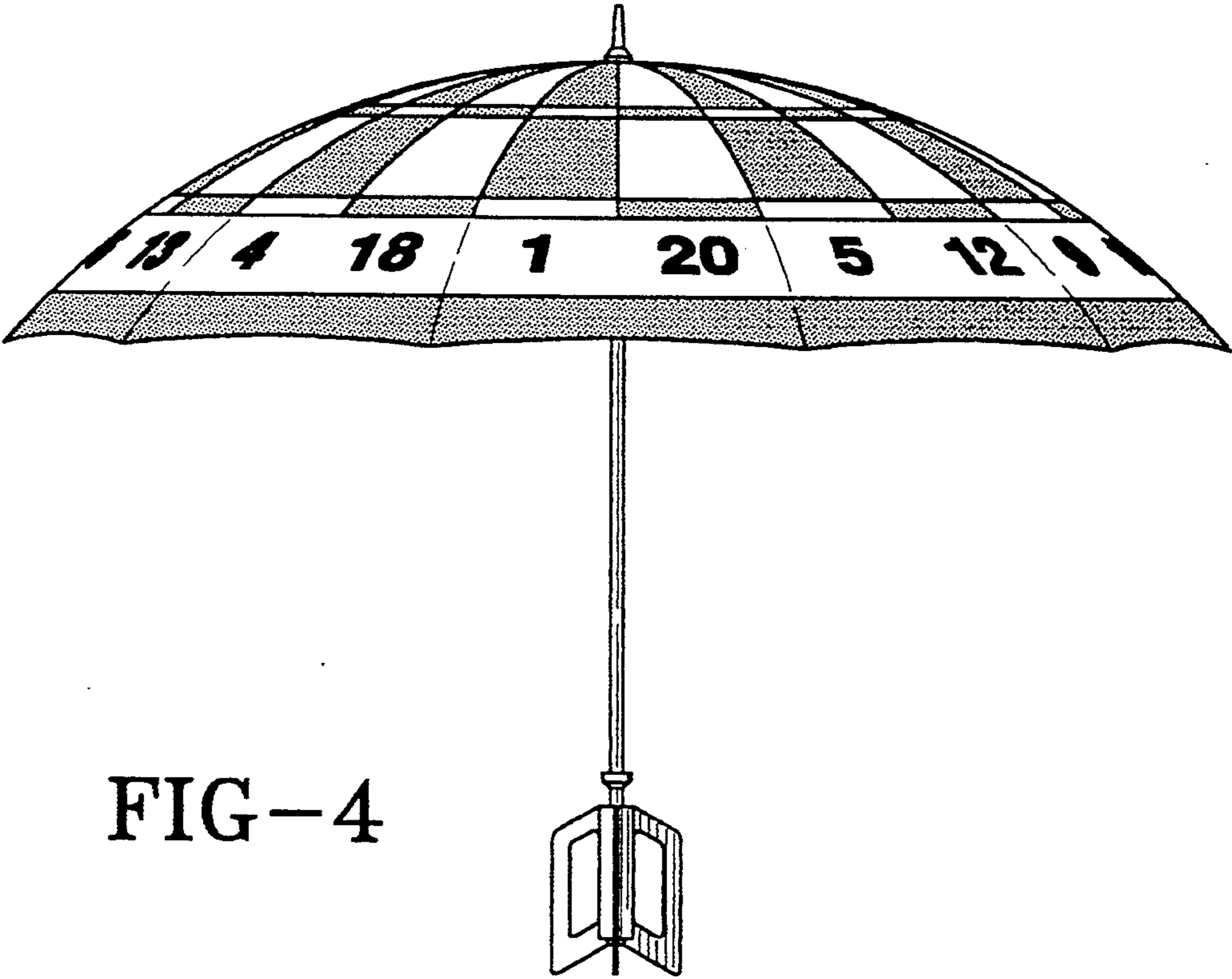
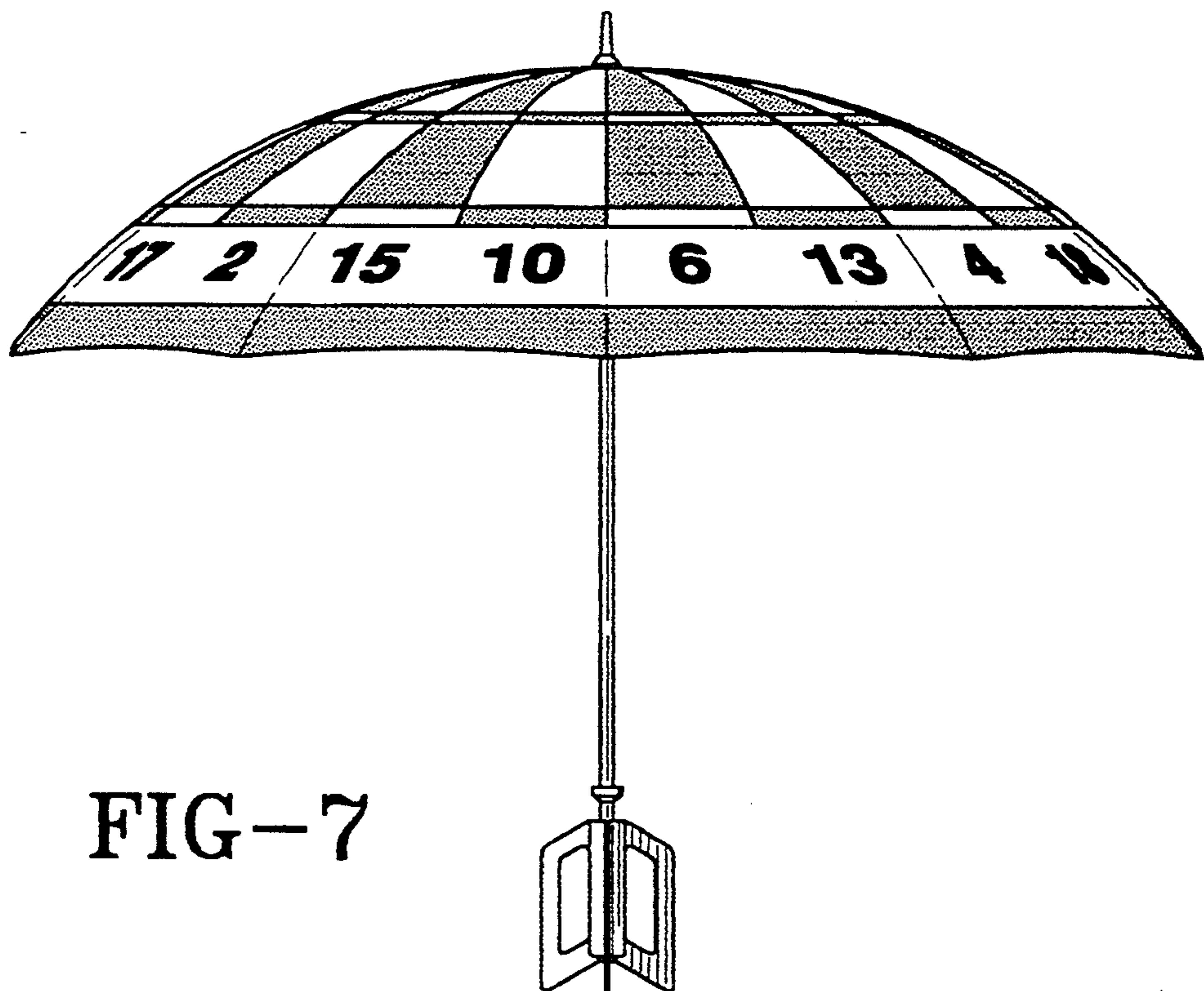
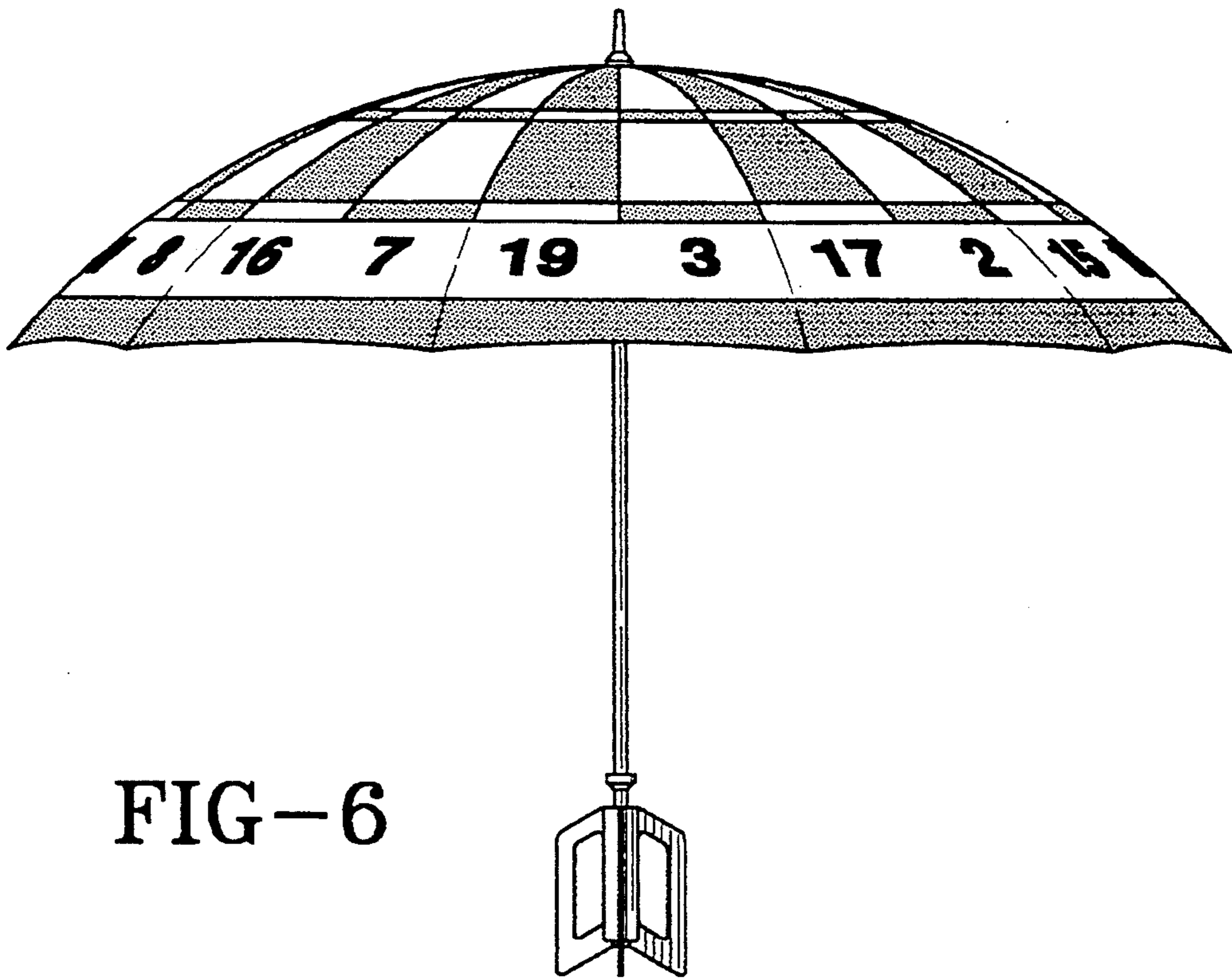


FIG-3





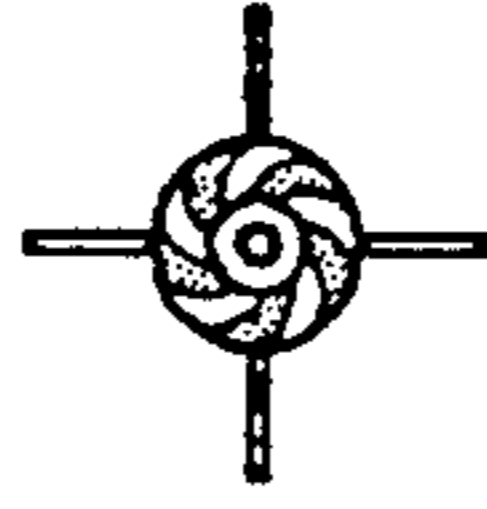


FIG-9



FIG-8



FIG-10