



US00D353243S

United States Patent [19]

[11] Patent Number: **Des. 353,243**

Millard

[45] Date of Patent: **** Dec. 6, 1994**

[54] **PAINT BRUSH HOLDER AND SCRAPER**

4,969,617 11/1990 Desjardins .
5,016,773 5/1991 Lockwood .

[76] Inventor: **Joel Millard, 600 Meriden St. Ext.,
Apt. 806, Groton, Conn. 06340**

Primary Examiner—Wallace R. Burke
Assistant Examiner—Robin V. Taylor
Attorney, Agent, or Firm—Schmeiser, Morelle & Watts

[**] Term: **14 Years**

[21] Appl. No.: **20,779**

[57] **CLAIM**

[22] Filed: **Apr. 1, 1994**

The ornamental design for a paint brush holder and scraper, as shown.

[52] U.S. Cl. **D32/54**

[58] Field of Search **D9/434, 435; 15/248.1,
15/248.2, 257.05, 257.06; 248/110, 113, 146,
238; 220/694-702; D32/53, 53.1, 54, 46**

DESCRIPTION

[56] **References Cited**

U.S. PATENT DOCUMENTS

- 2,699,882 1/1955 Lieb .
- 4,203,537 5/1980 McAlister .
- 4,275,818 6/1981 Church .
- 4,583,666 4/1986 Buck .
- 4,832,293 5/1989 Gizzi .
- 4,844,281 7/1989 Bradford .

FIG. 1 is a top view of a paint brush holder and scraper in accordance with the present invention;
 FIG. 2 is a front view of the paint brush holder and scraper;
 FIG. 3 is a bottom view of the paint brush holder and scraper;
 FIG. 4 is a cross-sectional view of the paint brush holder and scraper taken along line 4—4 of FIG. 1; and,
 FIG. 5 is a front perspective view taken from above the paint brush holder and scraper.

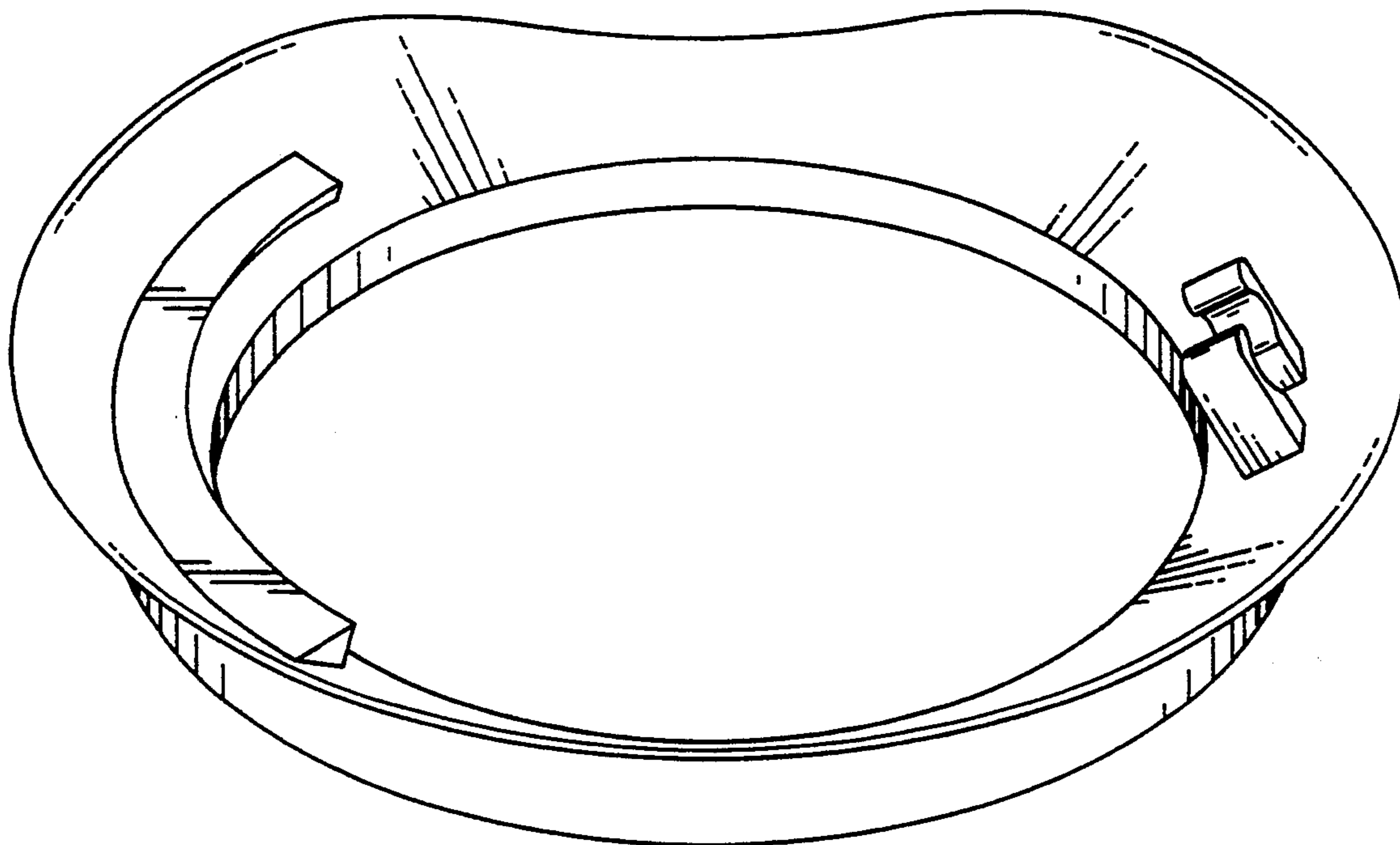


FIG. 1

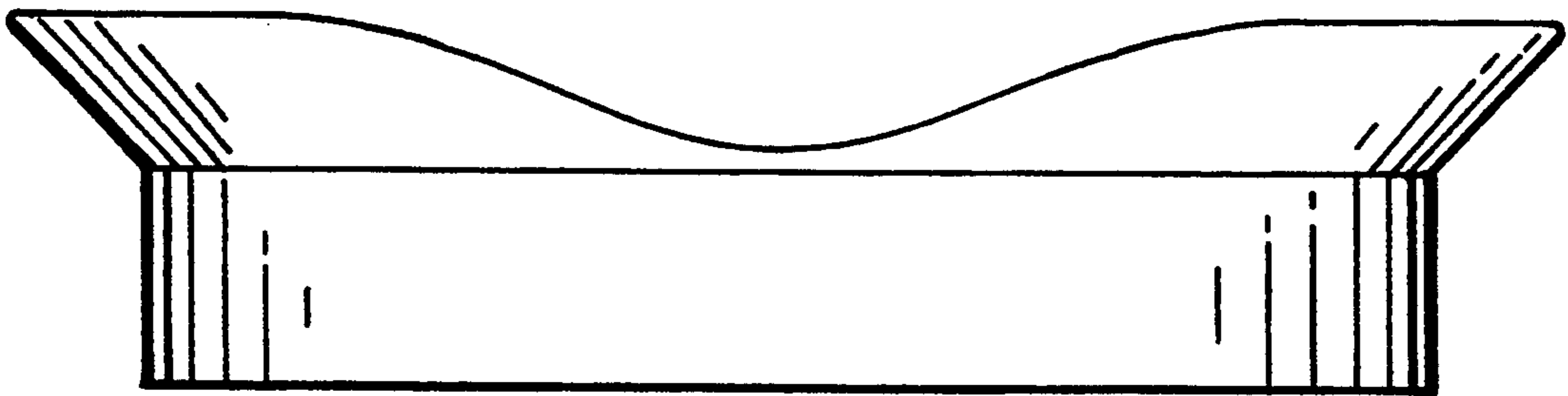
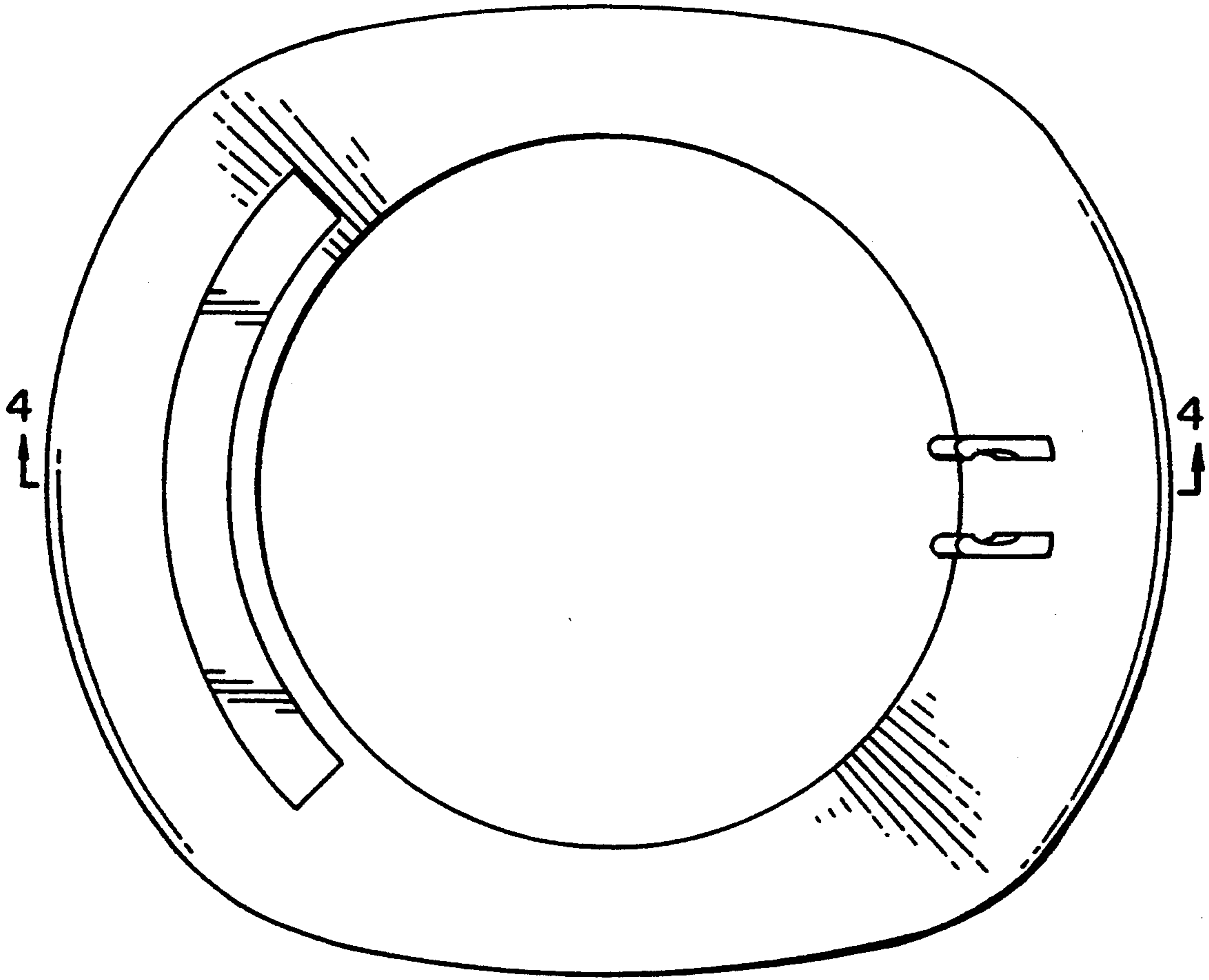


FIG. 2

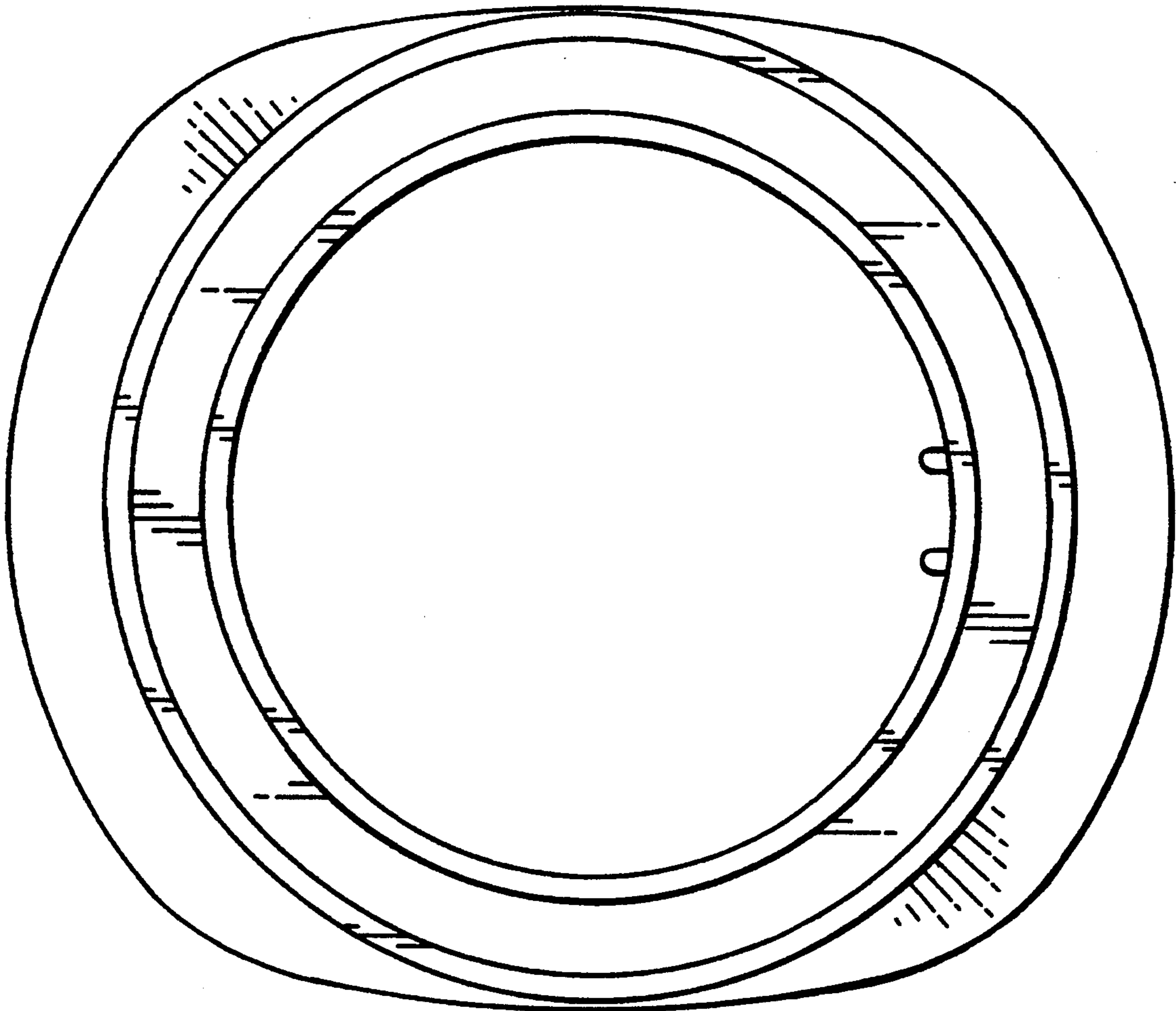


FIG. 3

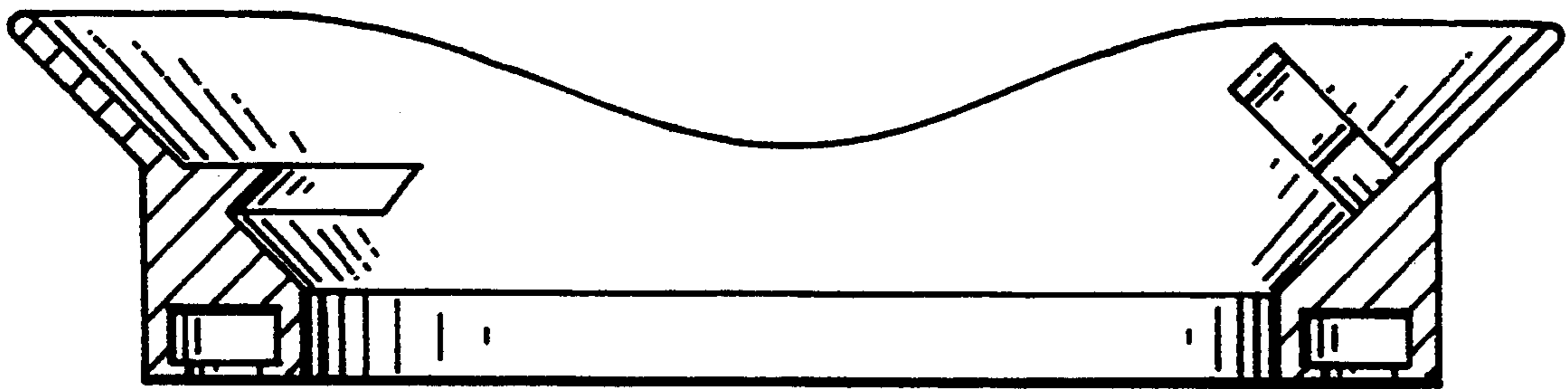


FIG. 4

FIG. 5

