



US00D353242S

United States Patent [19]

[11] Patent Number: **Des. 353,242**

McCoy, Sr. et al.

[45] Date of Patent: **** Dec. 6, 1994**

[54] PAINT CAN HOLDER

3,458,165 7/1969 Crow 248/210
5,133,525 7/1992 Good 248/210

[76] Inventors: **George W. McCoy, Sr.; George W. McCoy, Jr.**, both of 15208 W. 91st Pl., Lenexa, Kans. 66219

Primary Examiner—Wallace R. Burke
Assistant Examiner—H. Baynham
Attorney, Agent, or Firm—Hovey, Williams, Timmons & Collins

[**] Term: **14 Years**

[21] Appl. No.: **9,117**

[57] **CLAIM**

[22] Filed: **Jun. 7, 1993**

The ornamental design for a paint can holder, as shown and described.

[52] U.S. Cl. **D32/54; D8/373**

[58] Field of Search **D8/373; 248/154, 210; D32/54**

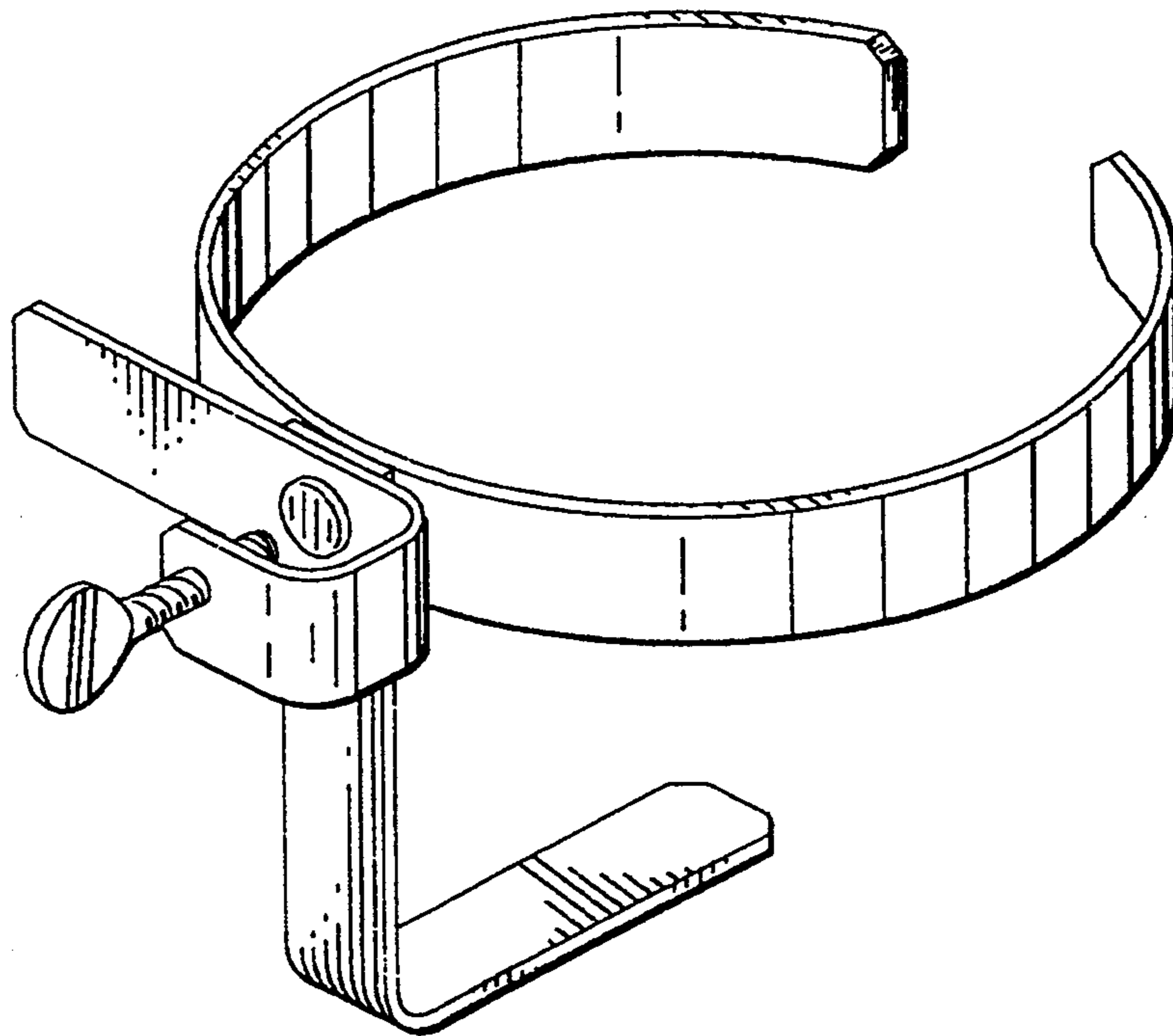
DESCRIPTION

[56] **References Cited**

U.S. PATENT DOCUMENTS

D. 306,507	3/1990	Lund	D8/373	X
D. 313,169	12/1990	Scott	D8/373	
2,735,641	2/1956	Joecks	248/210	
3,104,859	9/1963	Hoelzel	248/210	
3,227,411	1/1966	Treutler	248/210	

FIG. 1 is a perspective view of the paint can holder showing our new design;
FIG. 2 is a top plan view thereof;
FIG. 3 is a bottom plan view thereof;
FIG. 4 is a side elevational view thereof;
FIG. 5 is a side elevational view thereof showing the side opposite to that shown in FIG. 4;
FIG. 6 is a rear elevational view; and,
FIG. 7 is a front elevational view.



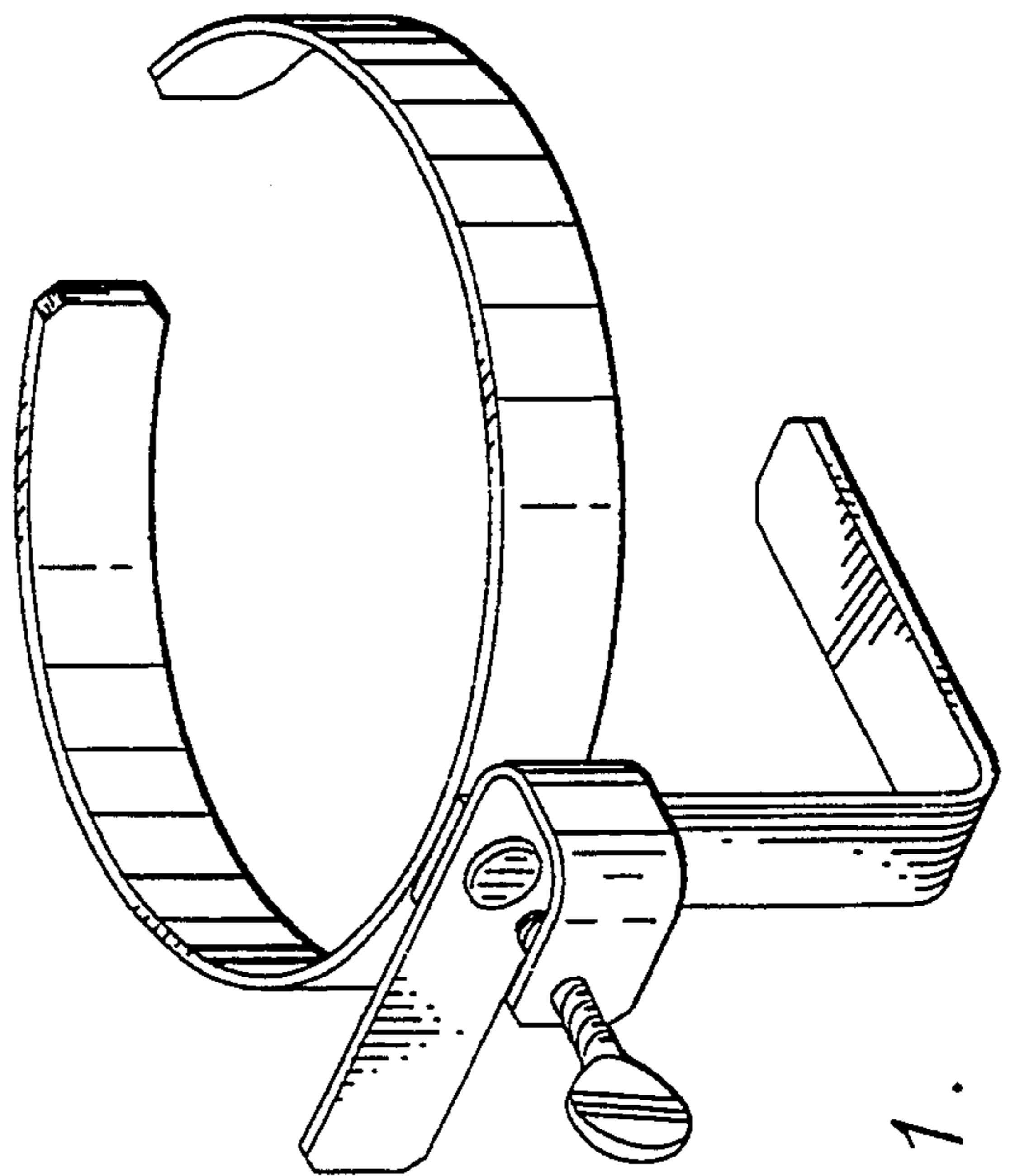
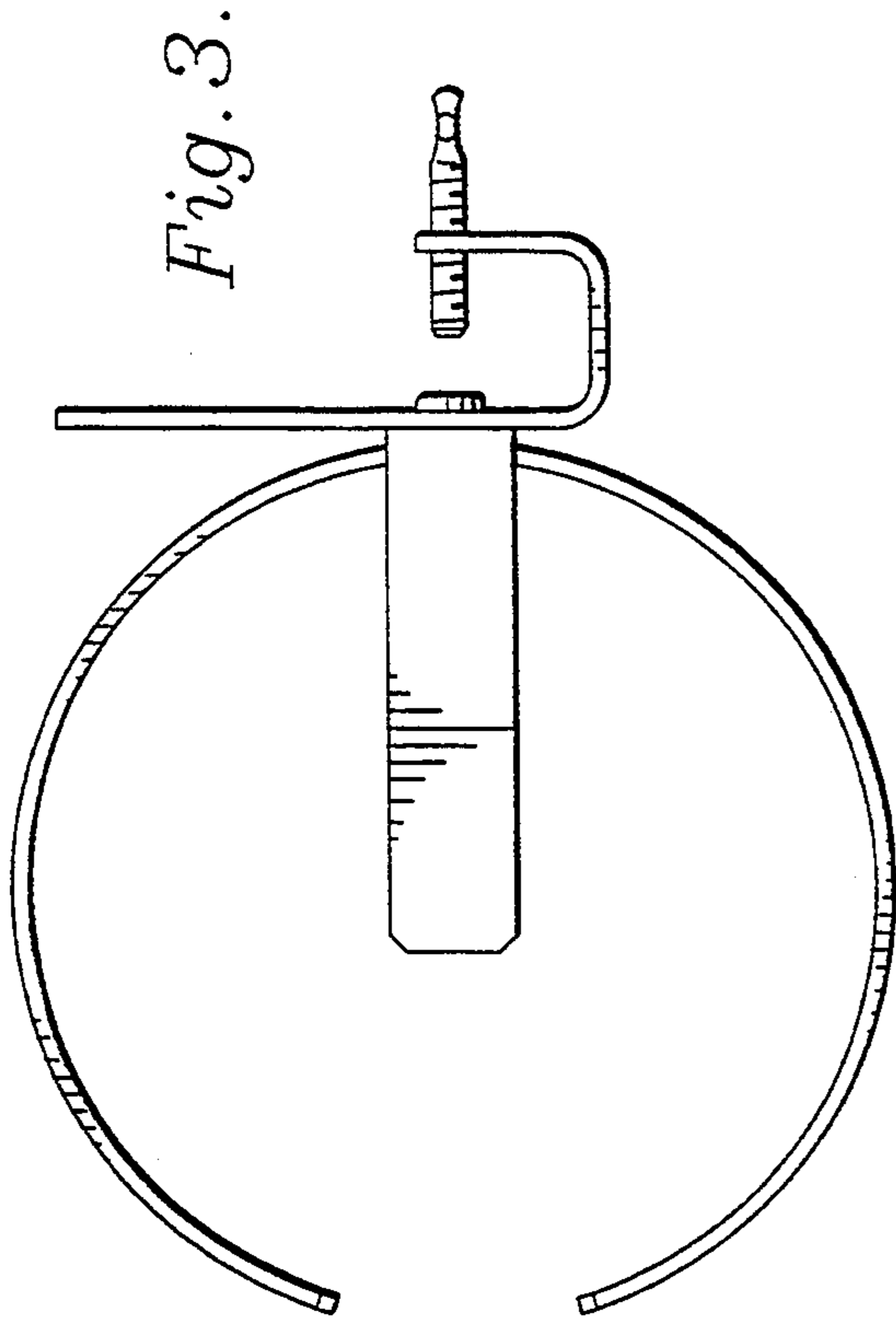
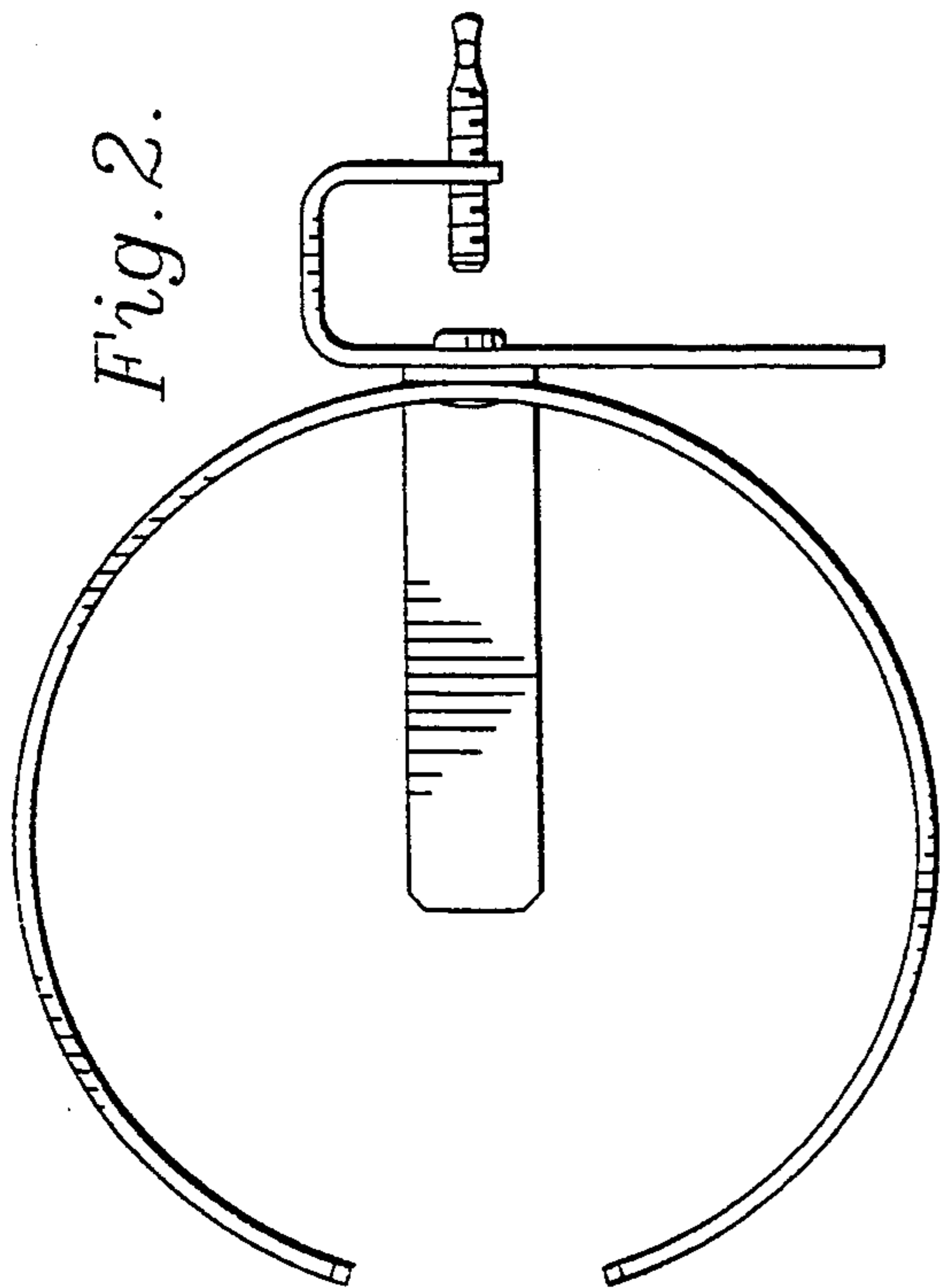
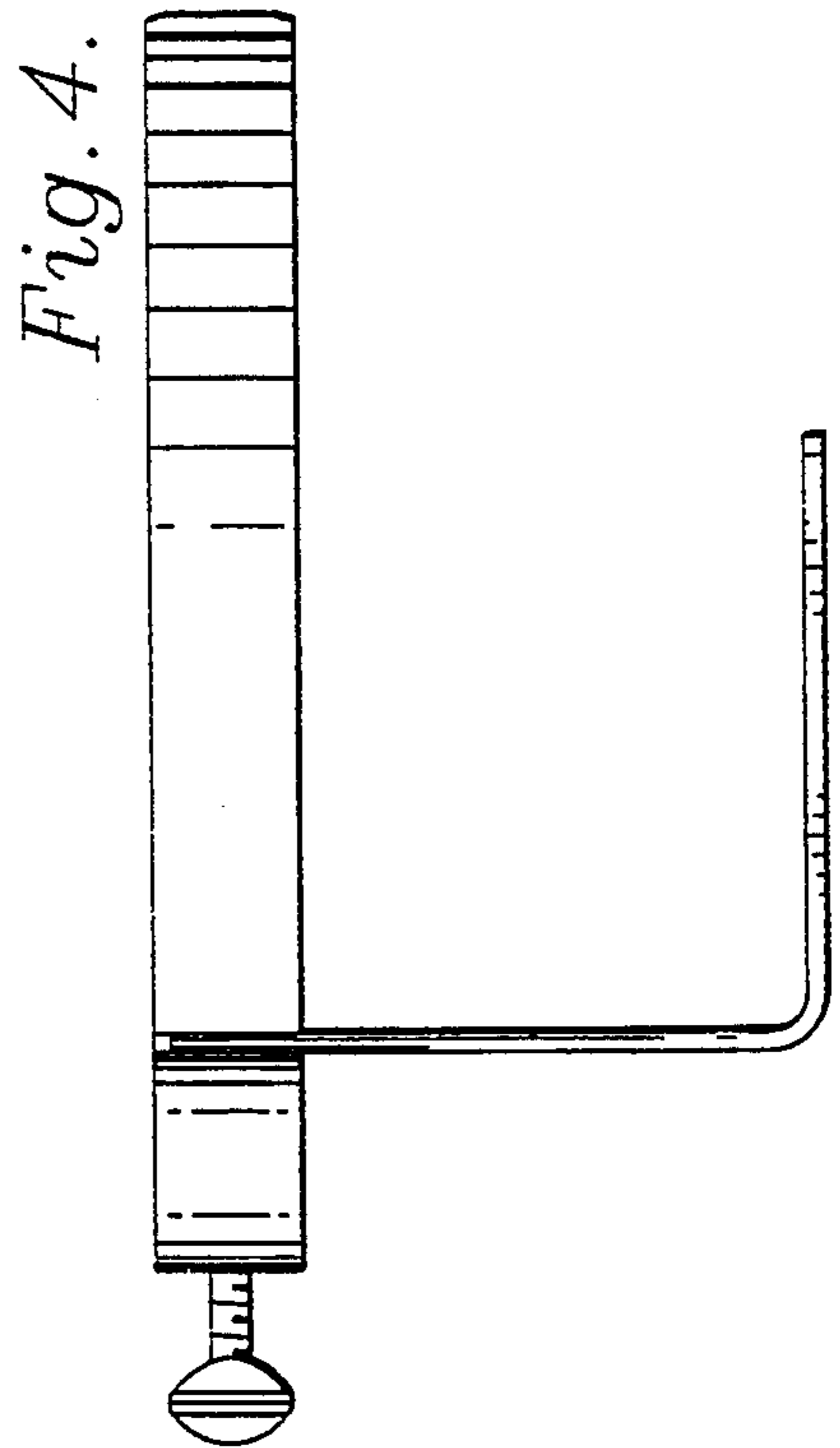


Fig. 1.



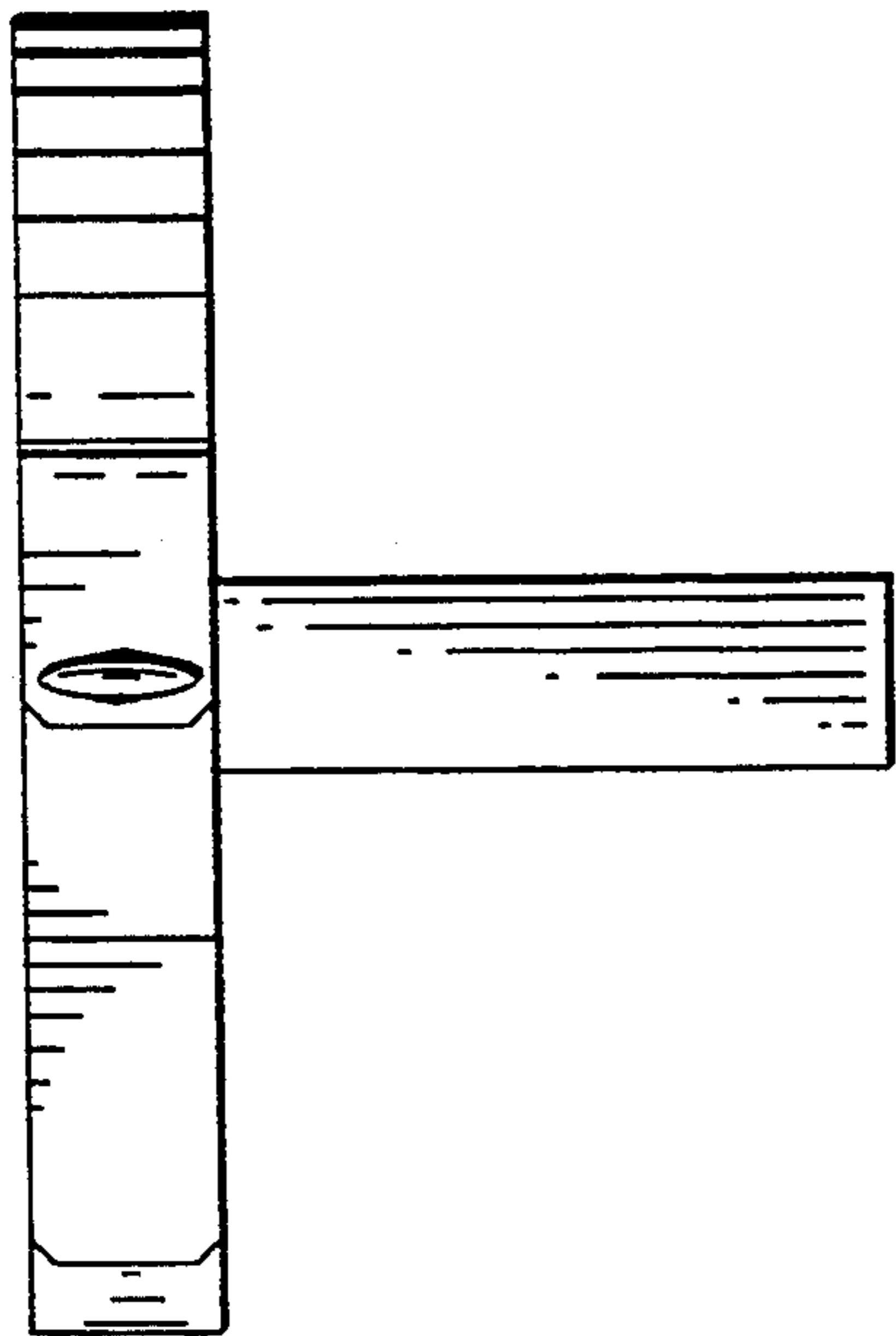


Fig. 6.

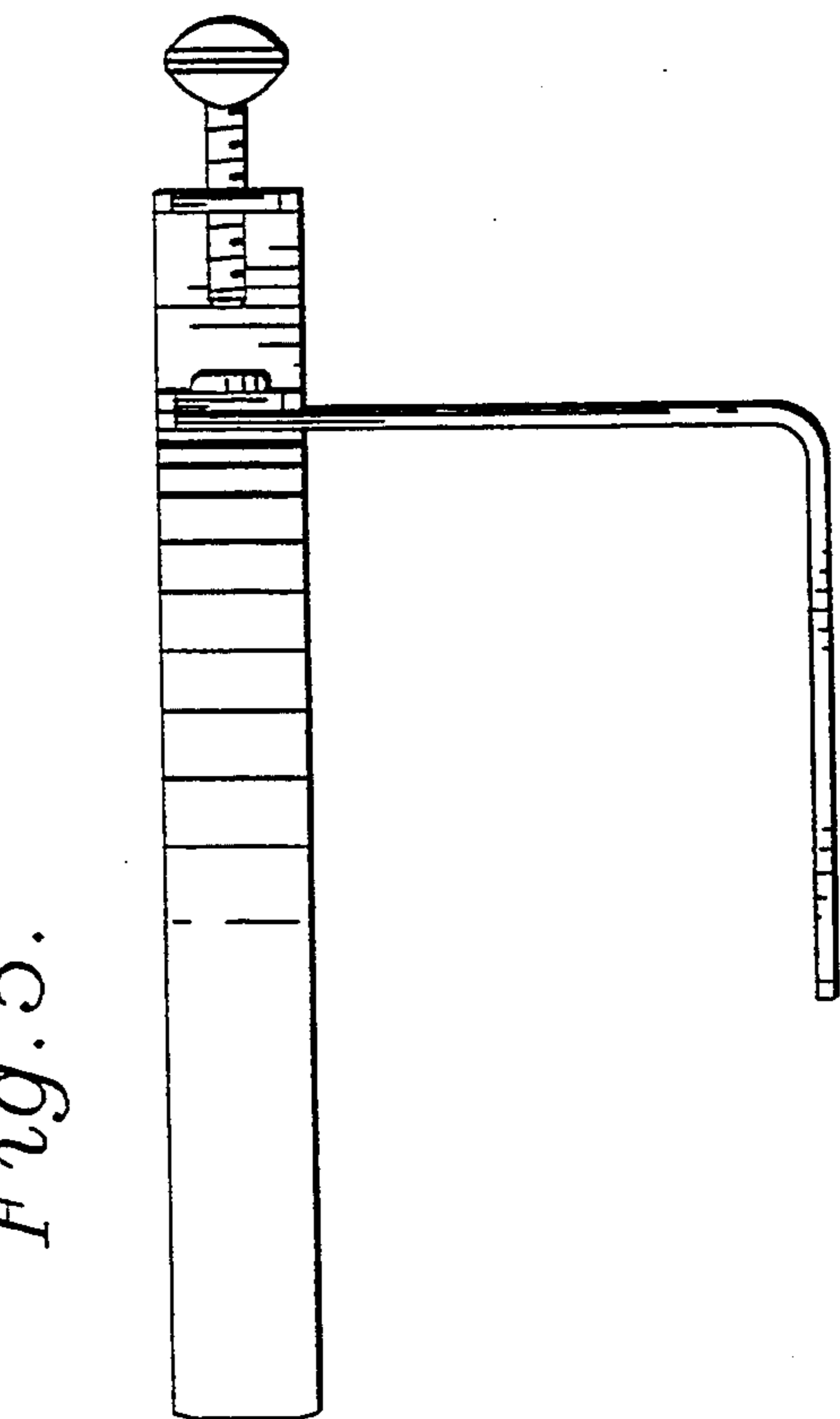


Fig. 5.

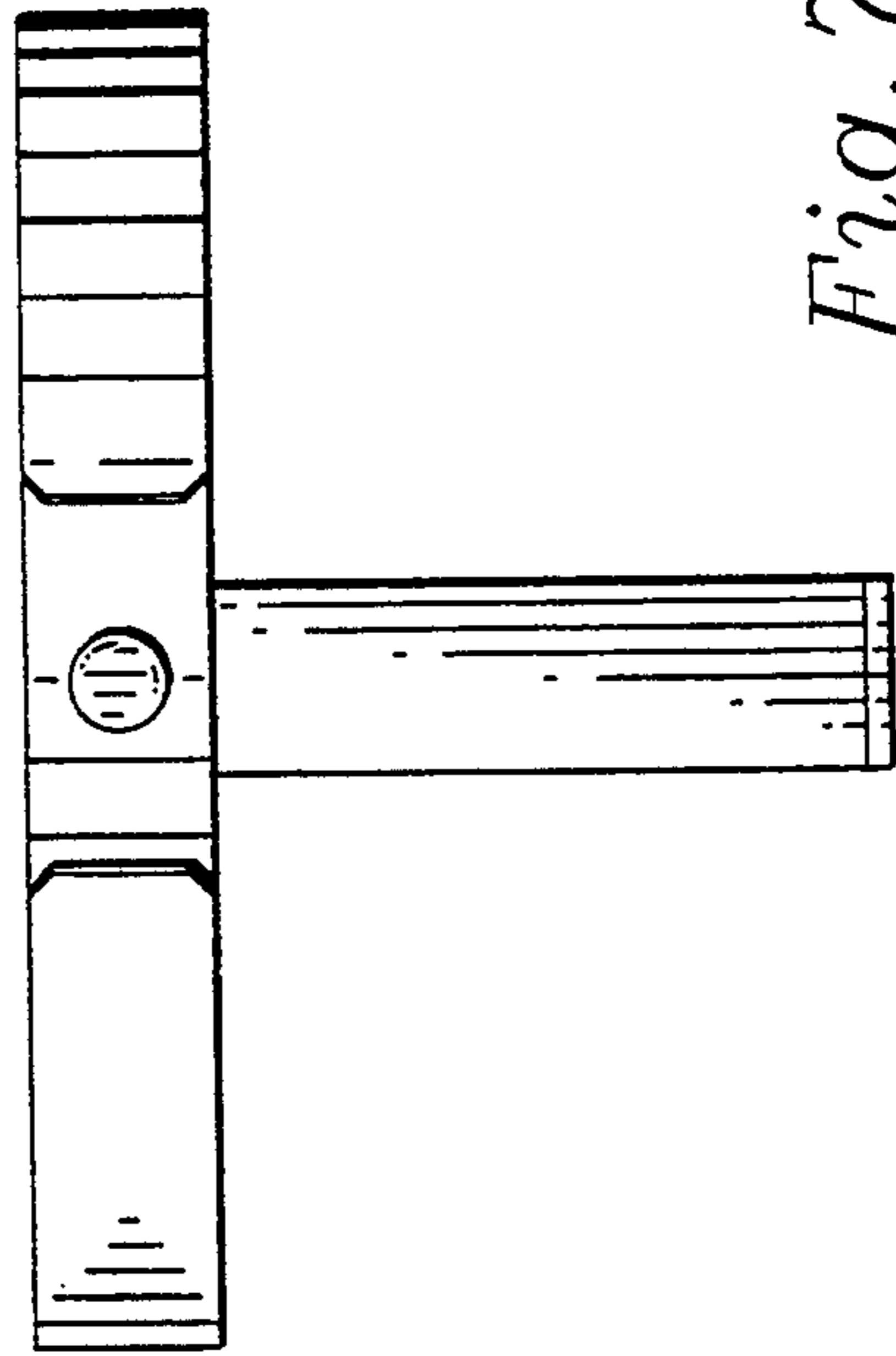


Fig. 7.