



US00D353236S

United States Patent [19]

[11] Patent Number: **Des. 353,236**

Burkhardt et al.

[45] Date of Patent: **** Dec. 6, 1994**

[54] **POWER NOZZLE FOR A VACUUM CLEANER**

D. 312,904 12/1990 Wonvag D32/32
D. 335,557 5/1993 Overy et al. D32/32
5,088,149 2/1992 Berg et al. 15/321

[75] Inventors: **Robert W. Burkhardt; Peter Hoekstra**, both of Bristol; **George C. Moyher, Jr.**, Bluff City, all of Tenn.

Primary Examiner—Ruth McInroy
Attorney, Agent, or Firm—Jeffrey H. Ingerman;
Christopher P. Godziela

[73] Assignee: **Electrolux Corporation**, Marietta, Ga.

[57] **CLAIM**

[**] Term: **14 Years**

The ornamental design for a power nozzle for a vacuum cleaner, as shown and described.

[21] Appl. No.: **7,485**

DESCRIPTION

[22] Filed: **Apr. 23, 1993**

FIG. 1 is a front, left, top perspective view of a power nozzle for a vacuum cleaner showing our new design; FIG. 2 is a right side elevational view thereof; FIG. 3 is a top plan view thereof; FIG. 4 is a front elevational view thereof; FIG. 5 is a rear elevational view thereof; and, FIG. 6 is a bottom plan view thereof.

[52] U.S. Cl. **D32/32**

[58] Field of Search 15/320-322, 15/415.1-416, 418-422.1; D32/31-33, 22

The broken-line showing of a vacuum cleaner wand in FIG. 1 is for illustrative purposes only and forms no part of the claimed design.

[56] **References Cited**

U.S. PATENT DOCUMENTS

D. 290,418 6/1987 Strohmeyer D32/32
D. 306,789 3/1990 Wonvag D32/33

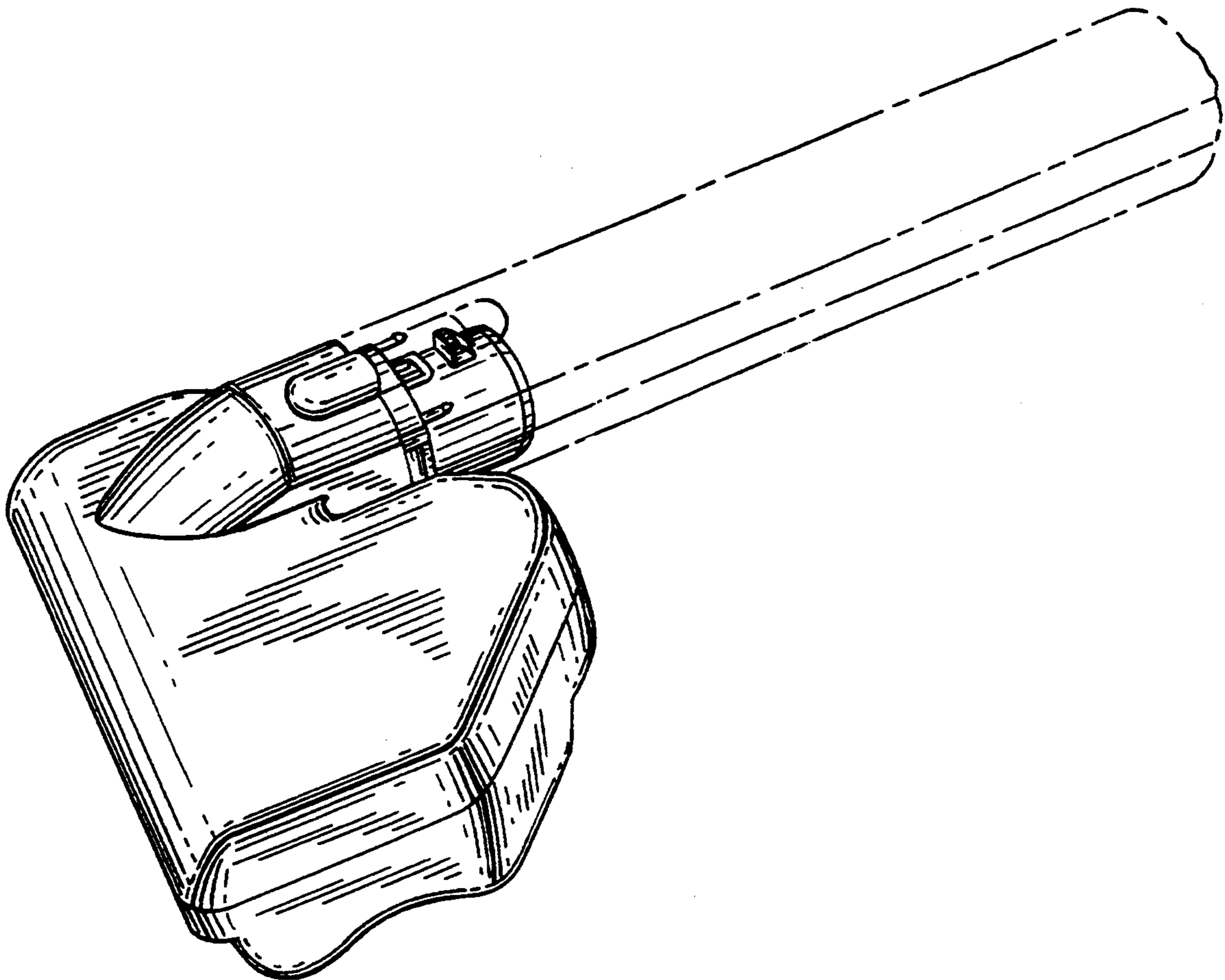


FIG. 1

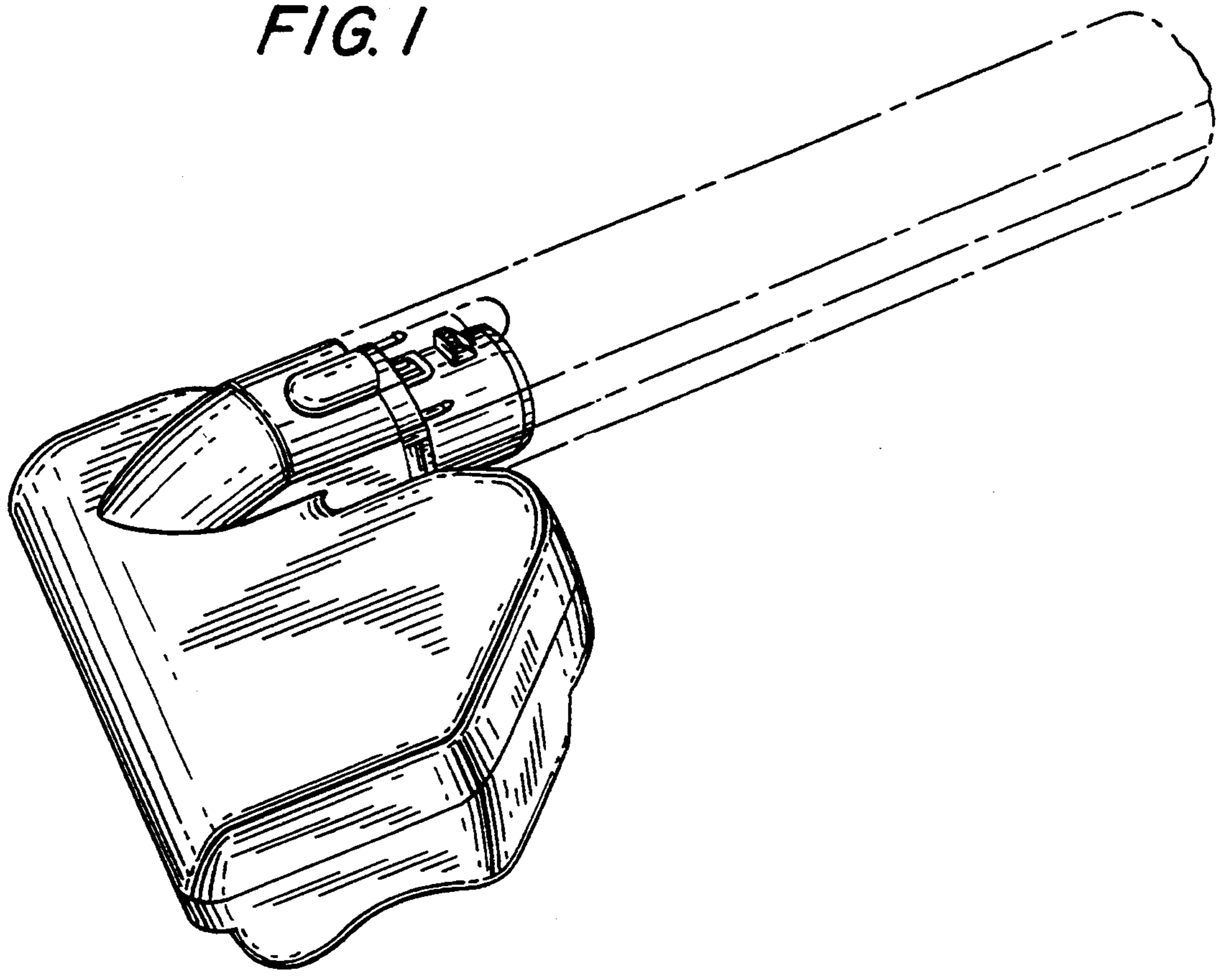


FIG. 2

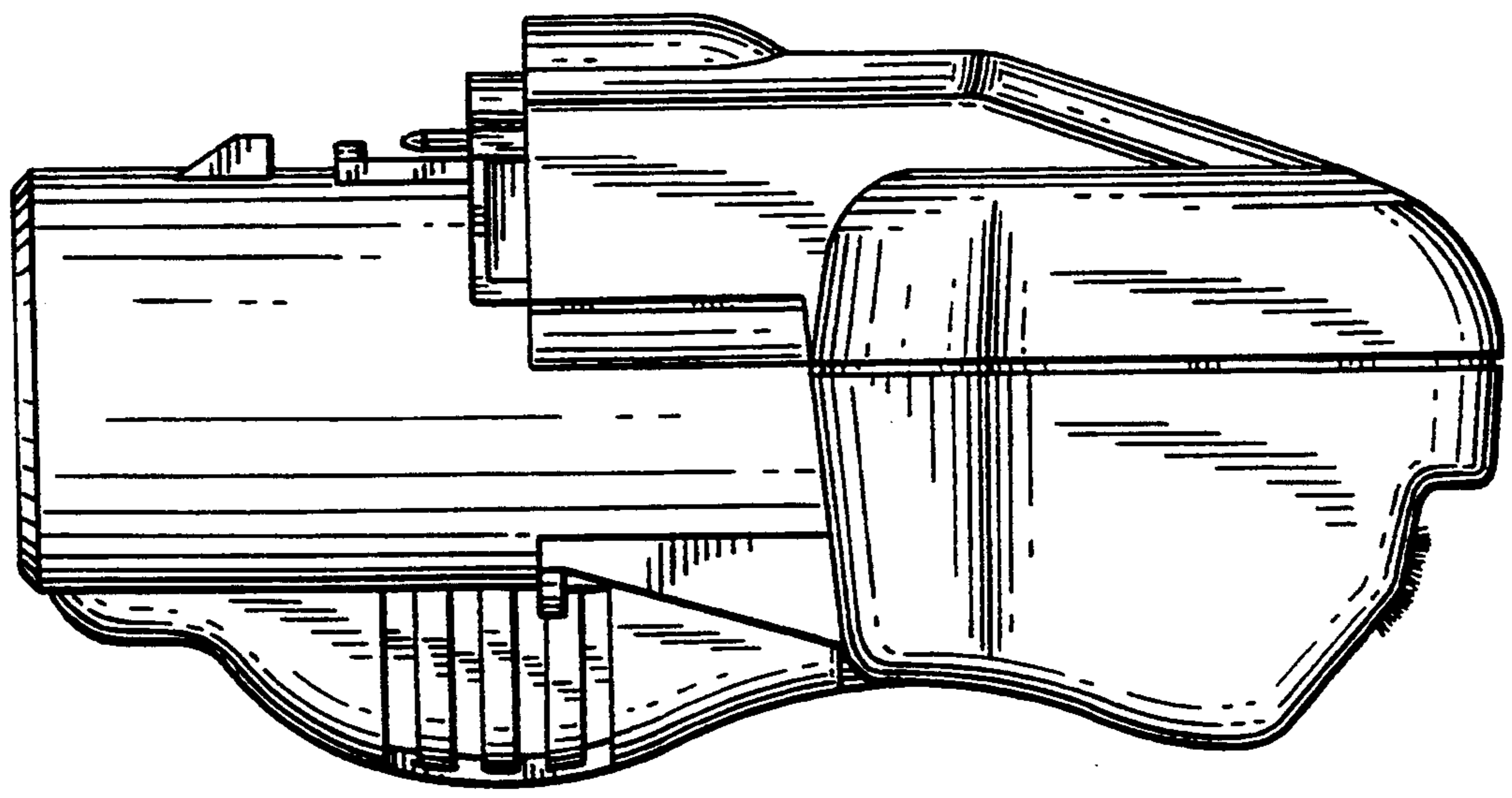


FIG. 3

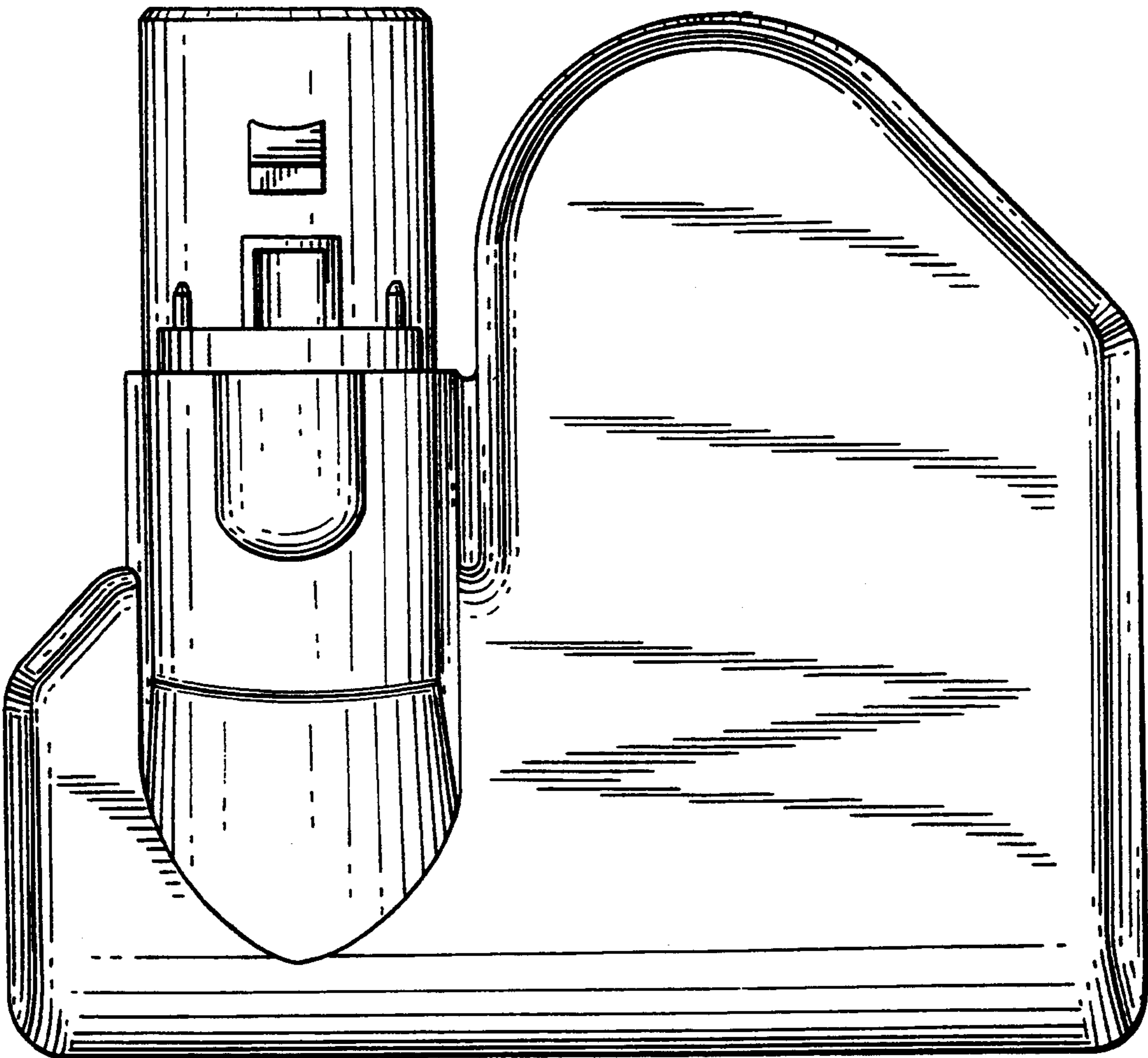


FIG. 4

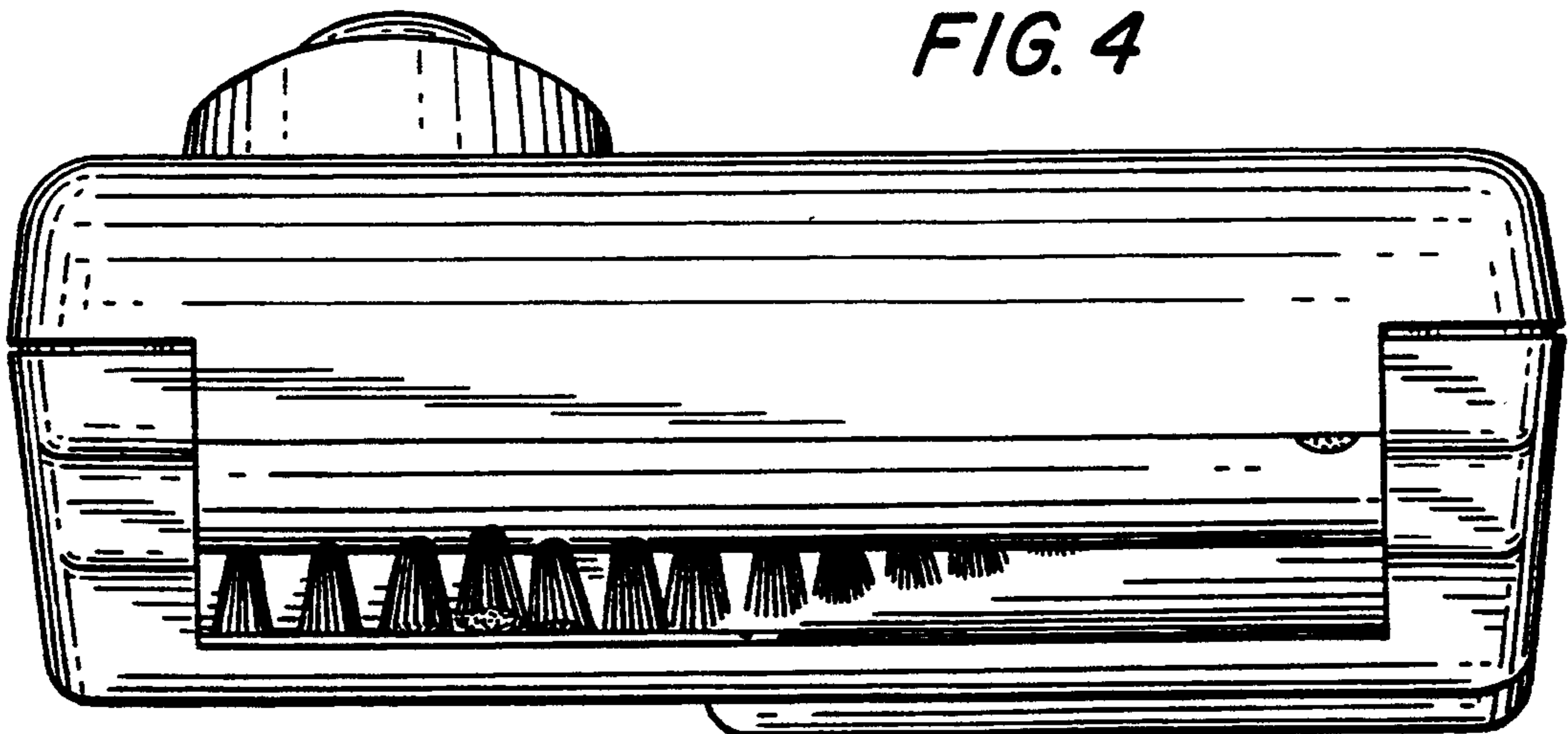


FIG. 5

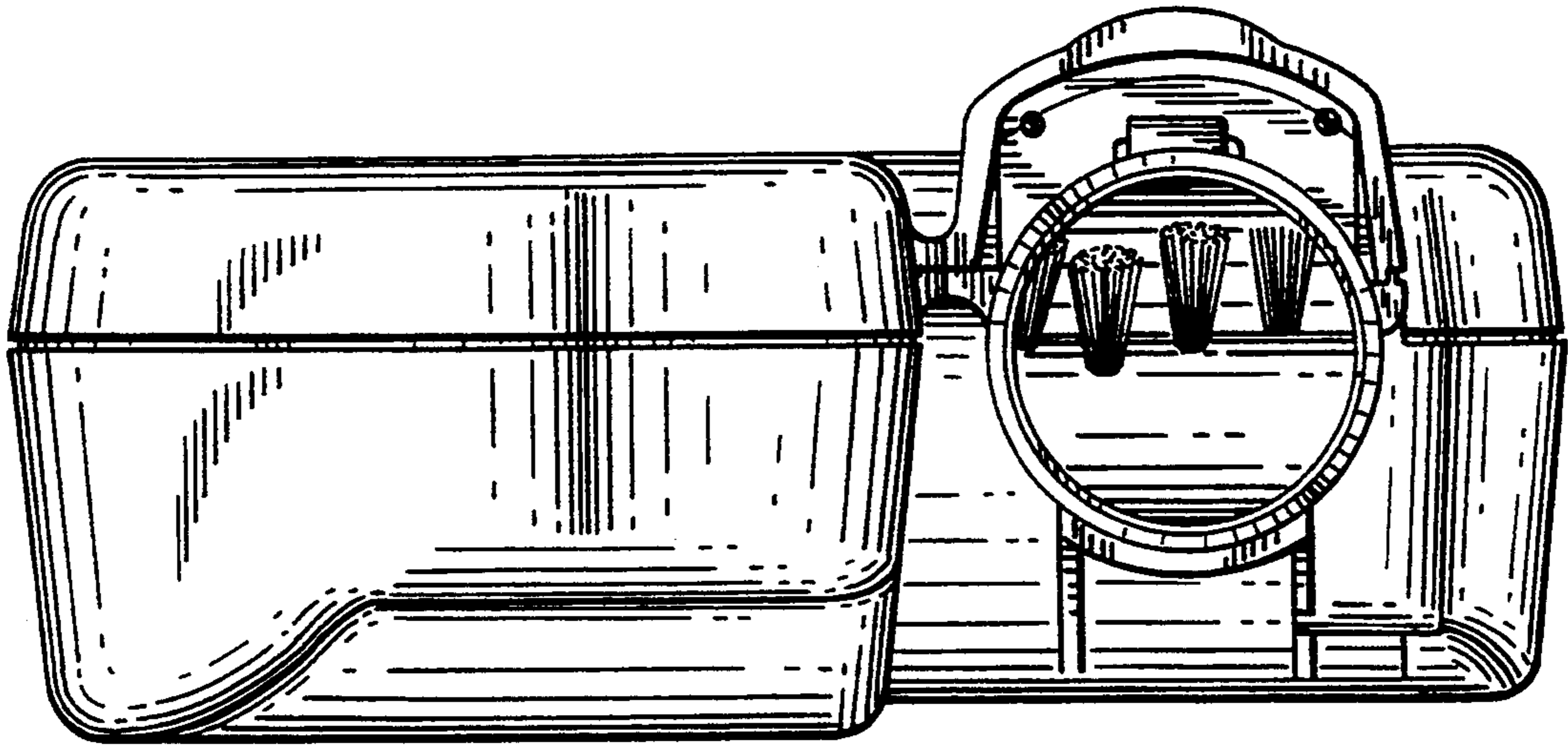


FIG. 6

