



US00D353233S

United States Patent [19]

[11] Patent Number: **Des. 353,233**

Robles

[45] Date of Patent: **** Dec. 6, 1994**

[54] **PET FEEDING DISH**

4,981,108	1/1991	Faeroe	119/61
5,069,167	12/1991	Kasselman	119/61
5,113,798	5/1992	Rera	119/61

[76] Inventor: **Alexander Robles, M. Berrioz #238, La Inmaculaba Vega Alta, Puerto Rico, 00692**

FOREIGN PATENT DOCUMENTS

[**] Term: **14 Years**

87467	1/1896	Germany	119/61
1428	of 1911	United Kingdom	D30/61

[21] Appl. No.: **13,901**

Primary Examiner—Cathy Anne MacCormac
Attorney, Agent, or Firm—Edward Gray

[22] Filed: **Oct. 5, 1993**

[52] U.S. Cl. **D30/130; D7/545**

[57] **CLAIM**

[58] Field of Search 119/61, 51.5; D7/543, D7/545; D30/121-122, 129-133

The ornamental design for a pet feeding dish, as shown and described.

[56] **References Cited**

DESCRIPTION

U.S. PATENT DOCUMENTS

D. 244,947	7/1977	Gerber	D30/130
D. 289,208	4/1987	Fanciullo	D30/130
D. 294,531	3/1988	Neunzig	D30/130
D. 296,485	6/1988	Peterson	D30/130
D. 303,169	8/1989	Hovey	D30/130
D. 342,352	12/1993	Embrey	D30/129
3,527,192	9/1970	Ferrara	119/61
4,802,302	2/1989	Alrafissa	119/61

FIG. 1 is a top perspective view of a pet feeding dish, showing my new design;
FIG. 2 is a top plan view thereof;
FIG. 3 is a bottom plan view thereof;
FIG. 4 is an elevational view thereof, all sides being identical to the side shown;
FIG. 5 is a bottom perspective view thereof; and,
FIG. 6 is a sectional view thereof, taken along the line 6-6 of FIG. 2.

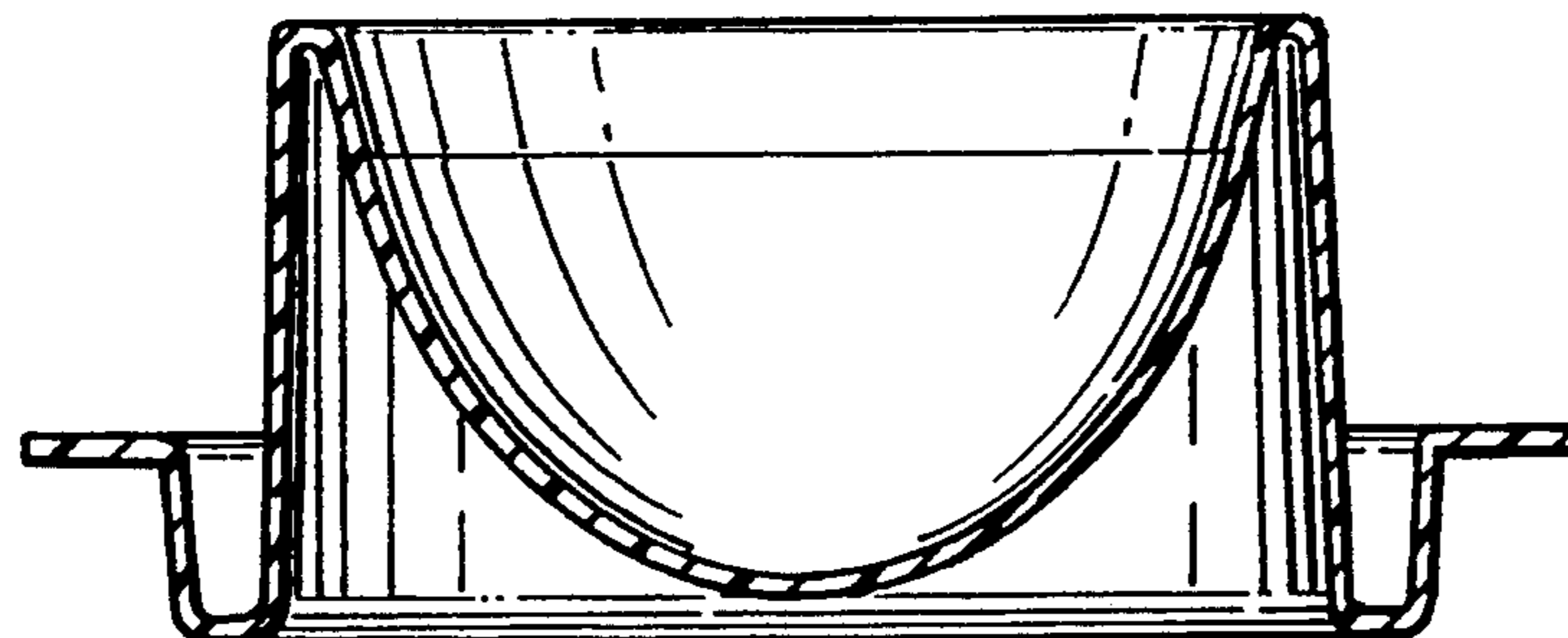
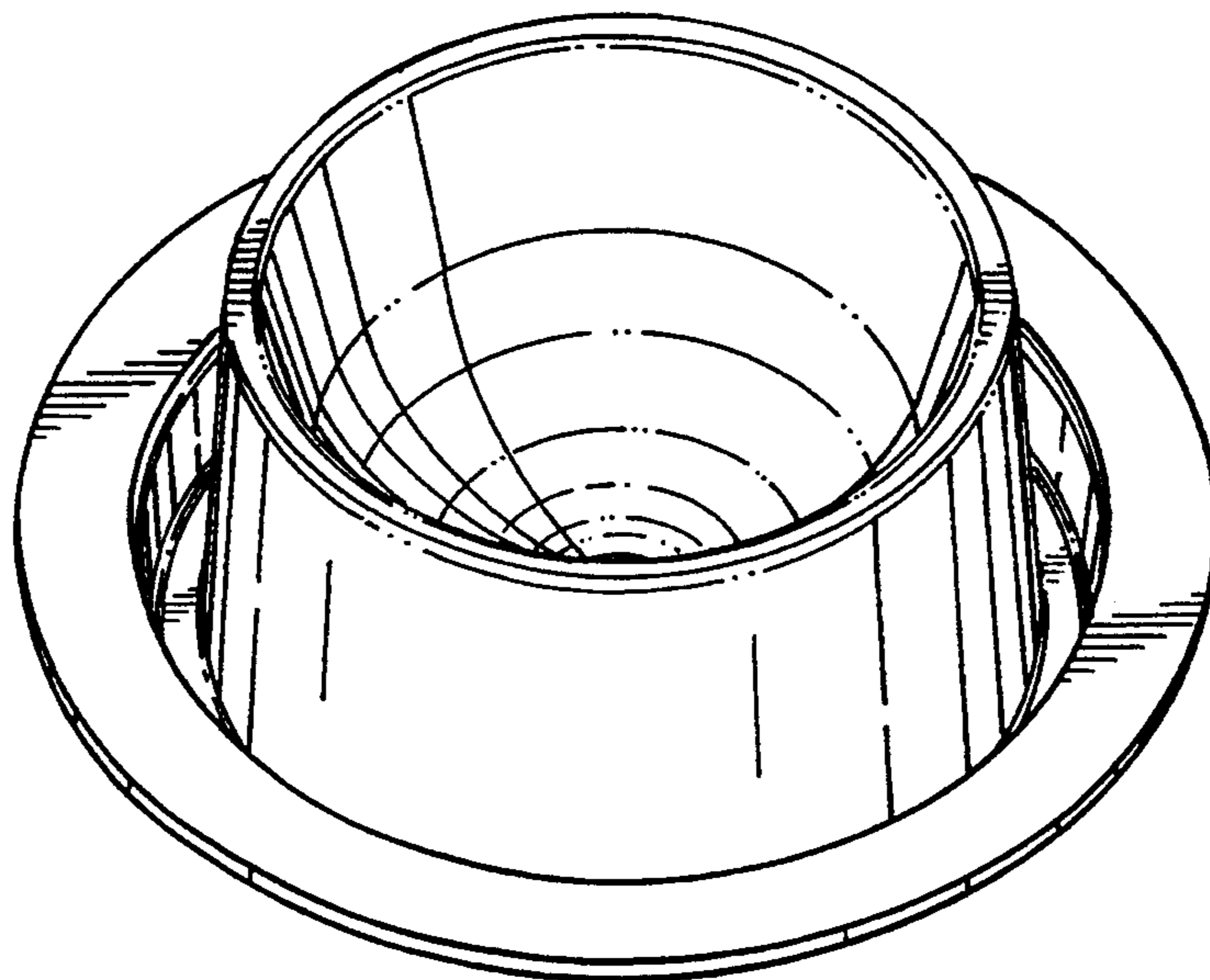


FIG. 1.

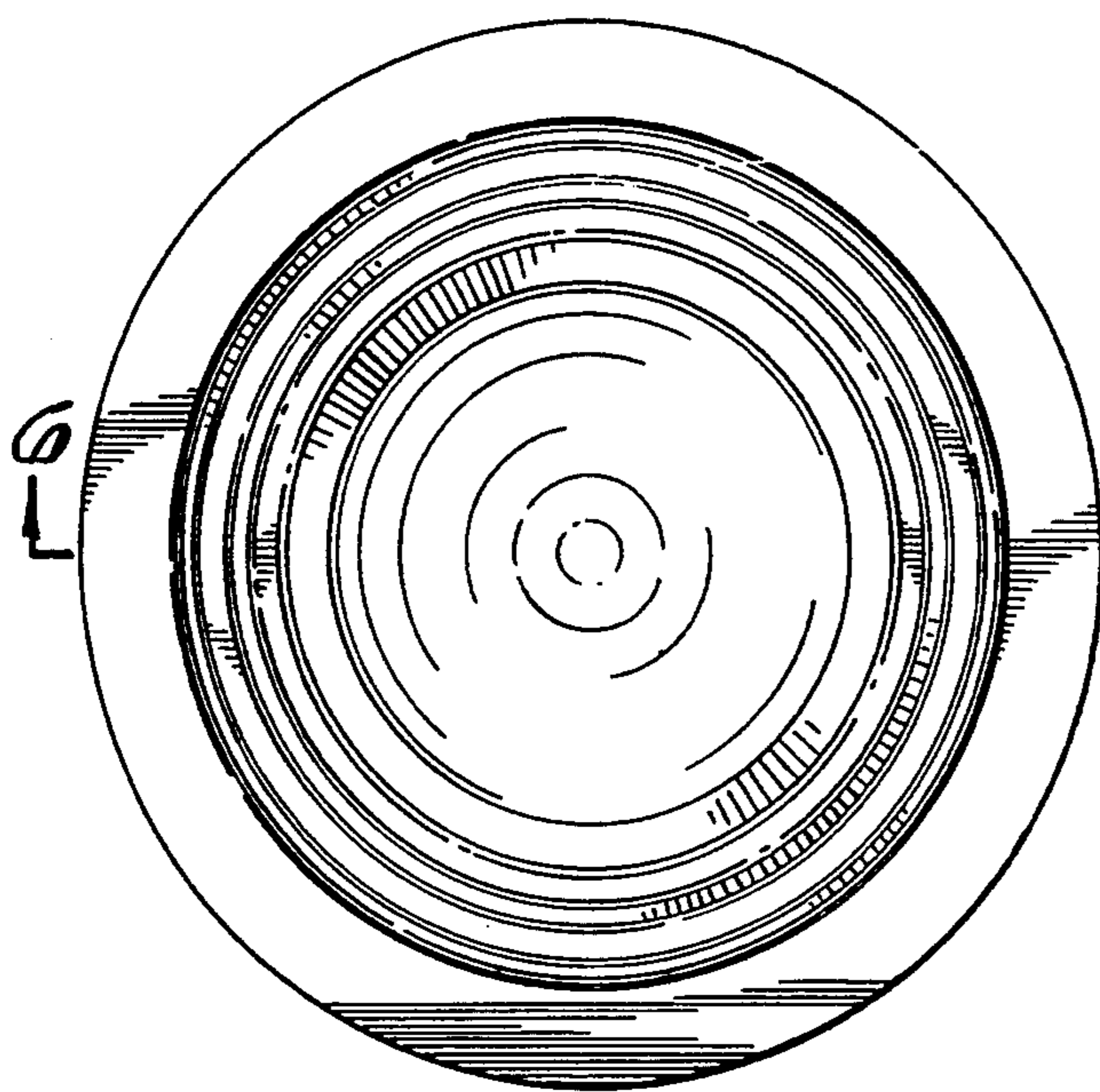
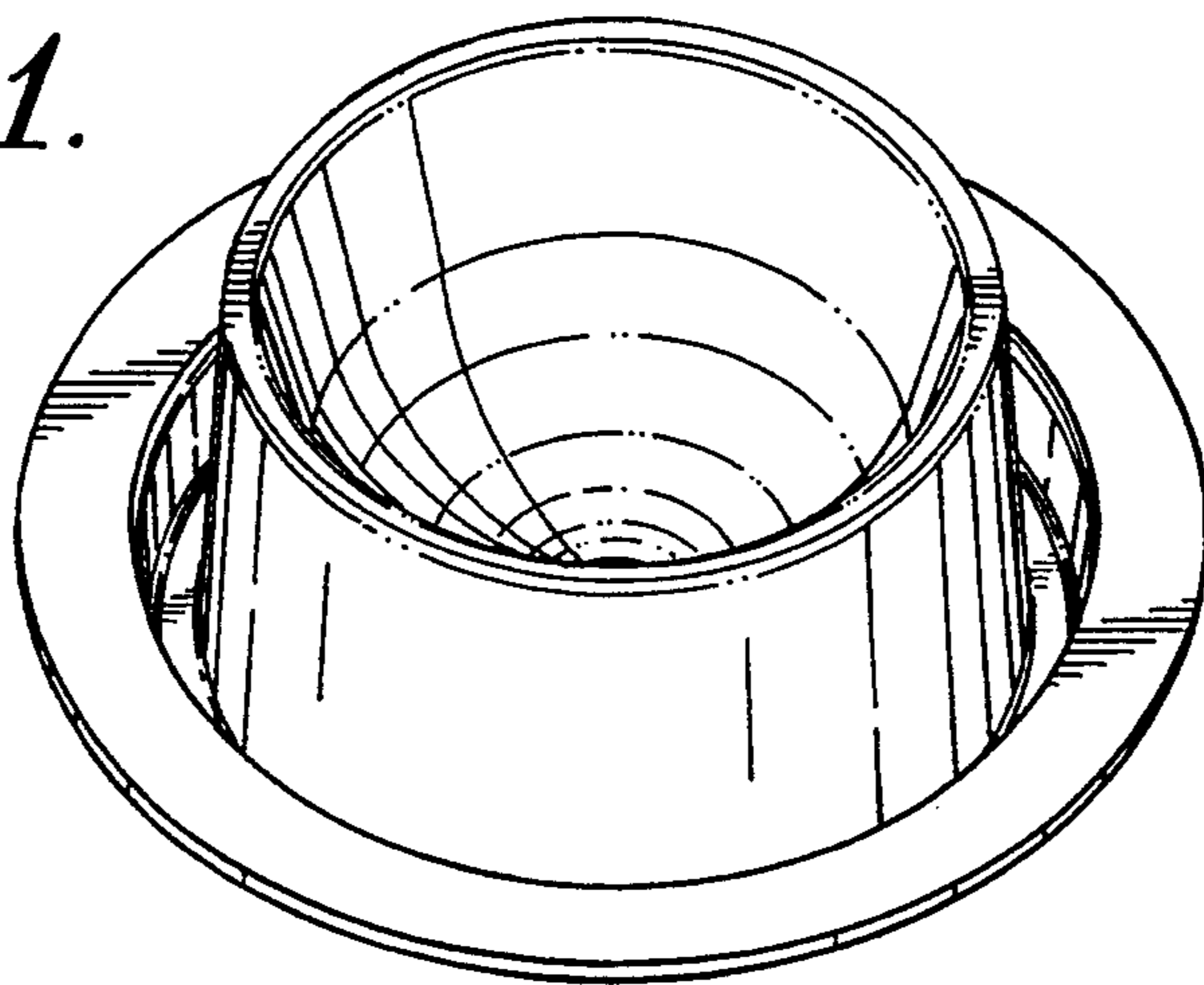


FIG. 2.

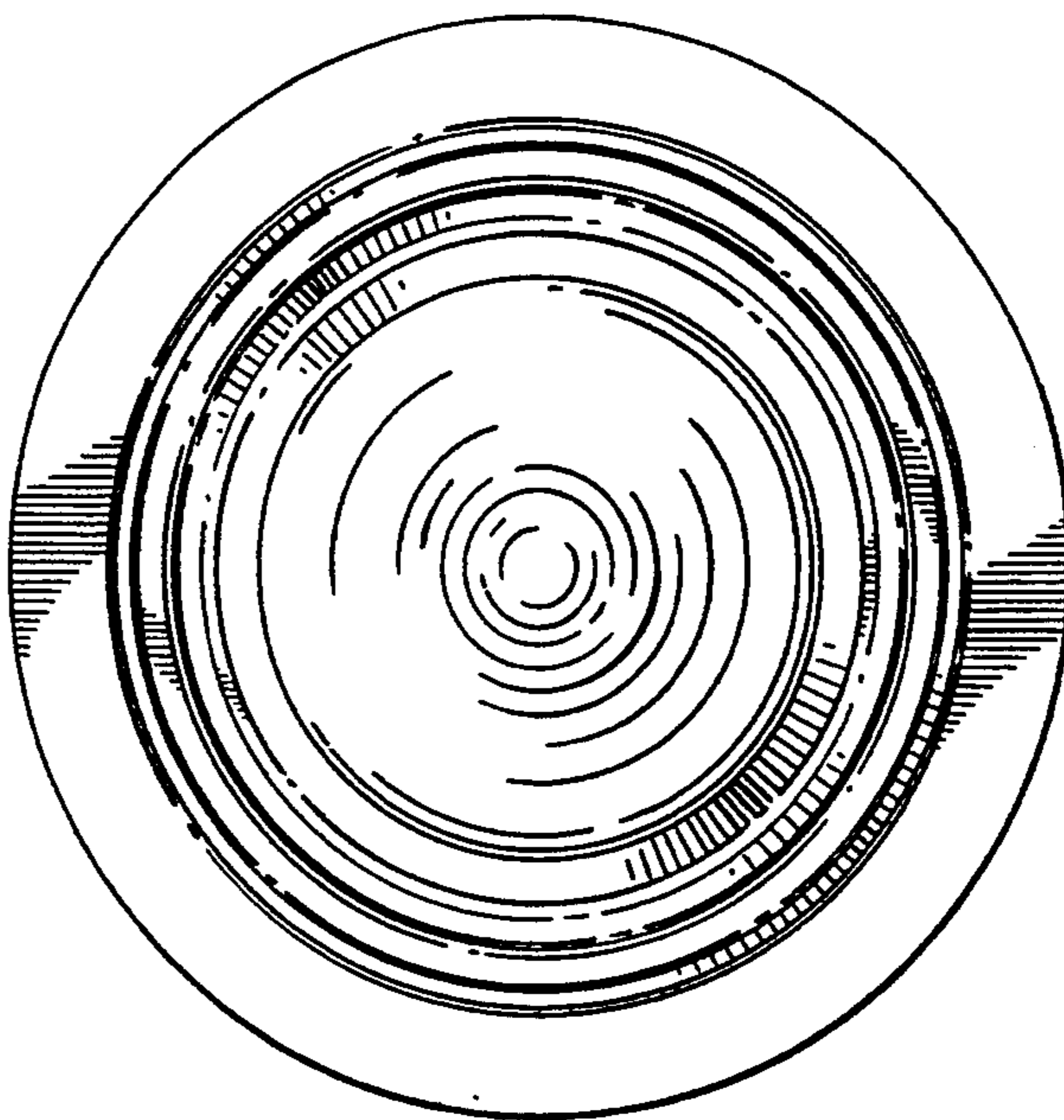


FIG. 3.

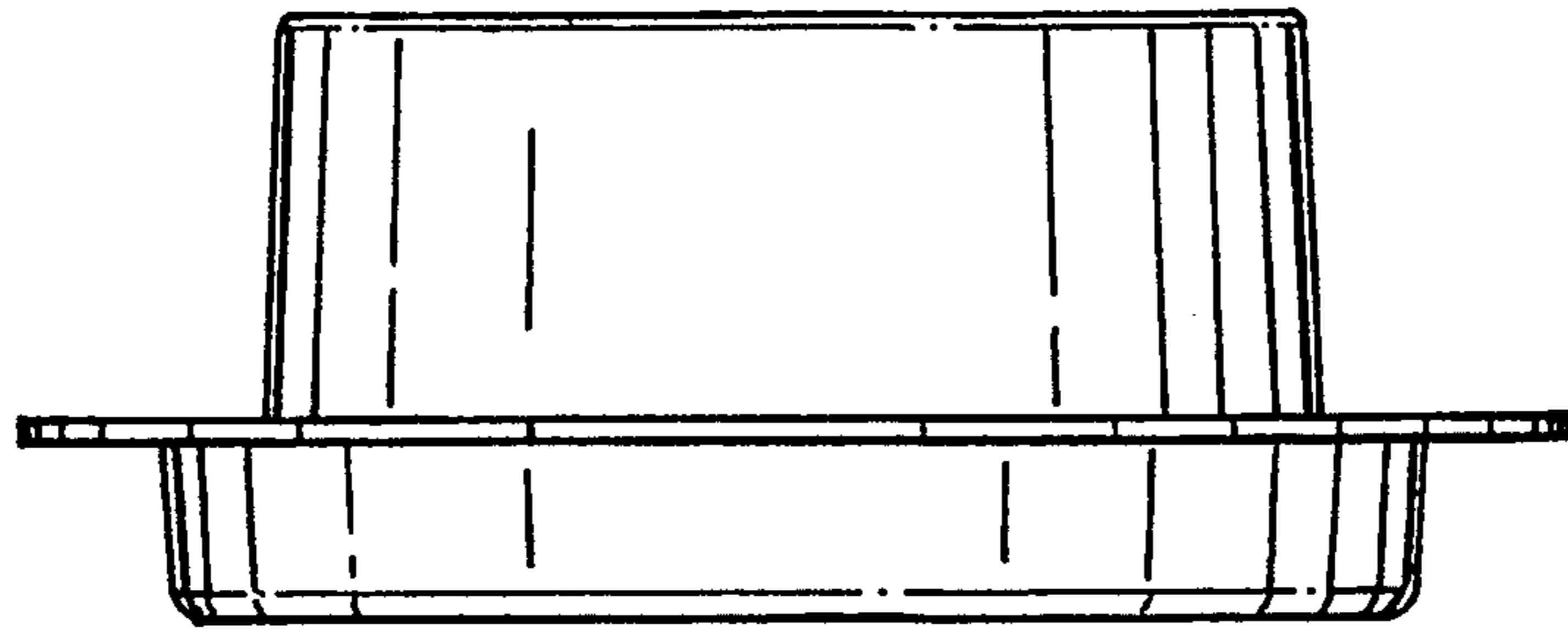


FIG. 4.

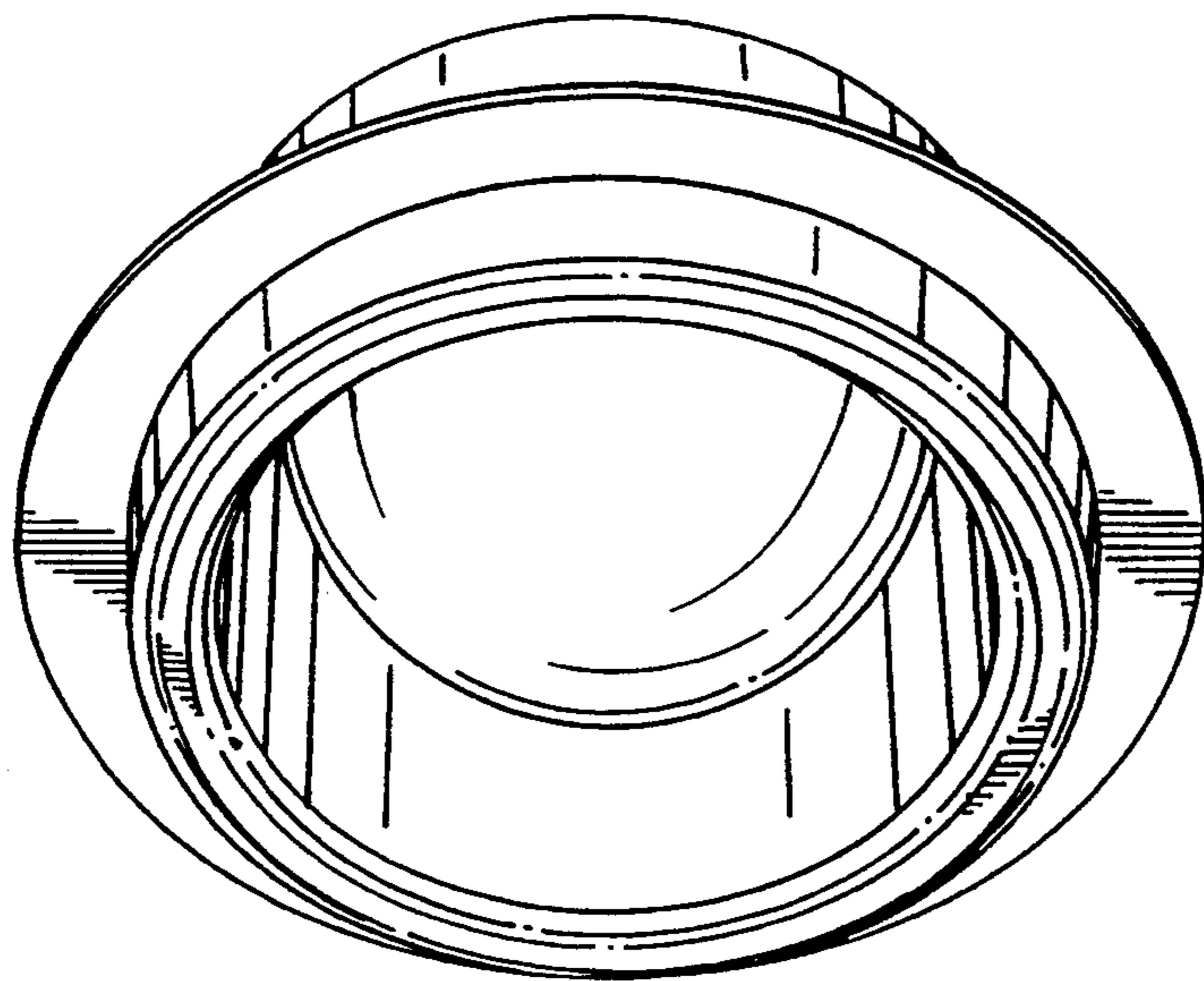


FIG. 5.

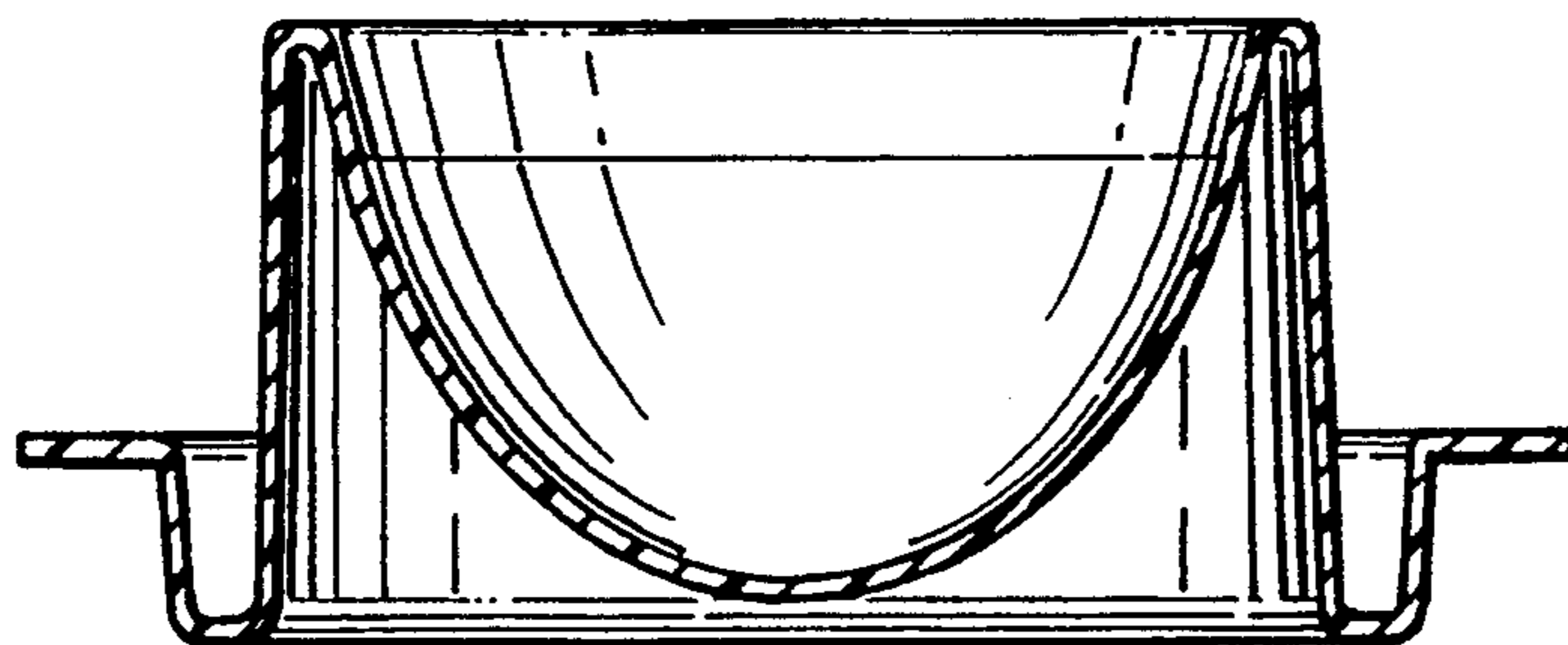


FIG. 6.