



US00D353225S

# United States Patent [19]

[11] Patent Number: Des. 353,225

Doran et al.

[45] Date of Patent: \*\* Dec. 6, 1994

[54] NIT COMB

[75] Inventors: William T. Doran, Succasunna, N.J.; Janet H. Merrill, New York, N.Y.; Athanasios S. Ladas, Parsippany, N.J.

[73] Assignee: Pfizer Inc., New York, N.Y.

[\*\*] Term: 14 Years

[21] Appl. No.: 745,117

[22] Filed: Aug. 7, 1991

[52] U.S. Cl. .... D28/31

[58] Field of Search ..... 132/219, 125, 126, 137-139, 132/148, 149, 150, 901; D28/10, 94, 52, 25, 30, 31; D30/159

[56] **References Cited**

**U.S. PATENT DOCUMENTS**

- D. 161,330 12/1950 Galter ..... D7/696
- D. 312,144 11/1990 Buba ..... D28/52
- 2,151,056 3/1939 Stone ..... 132/150 X

**FOREIGN PATENT DOCUMENTS**

- 179618 9/1954 Austria ..... 132/150
- 1130177 1/1957 France ..... 132/150
- 3325934 3/1985 Germany ..... 30/30

*Primary Examiner*—Bernard Ansher  
*Assistant Examiner*—C. Tuttle  
*Attorney, Agent, or Firm*—Peter C. Richardson; Paul H. Ginsburg; Robert F. Sheyka

[57] **CLAIM**

The ornamental design for a nit comb, as shown and described.

**DESCRIPTION**

FIG. 1 is a front perspective view; FIG. 2 is a side elevational view thereof, the side opposite being a mirror image of the side shown; FIG. 3 is front end elevational view thereof; FIG. 4 is a rear end elevational view thereof; FIG. 5 is a top plan view; FIG. 6 is a bottom plan view; and, FIG. 7 is an enlarged bottom view, partially rotated to the right of FIG. 6, and shown fragmentarily for ease of illustration.

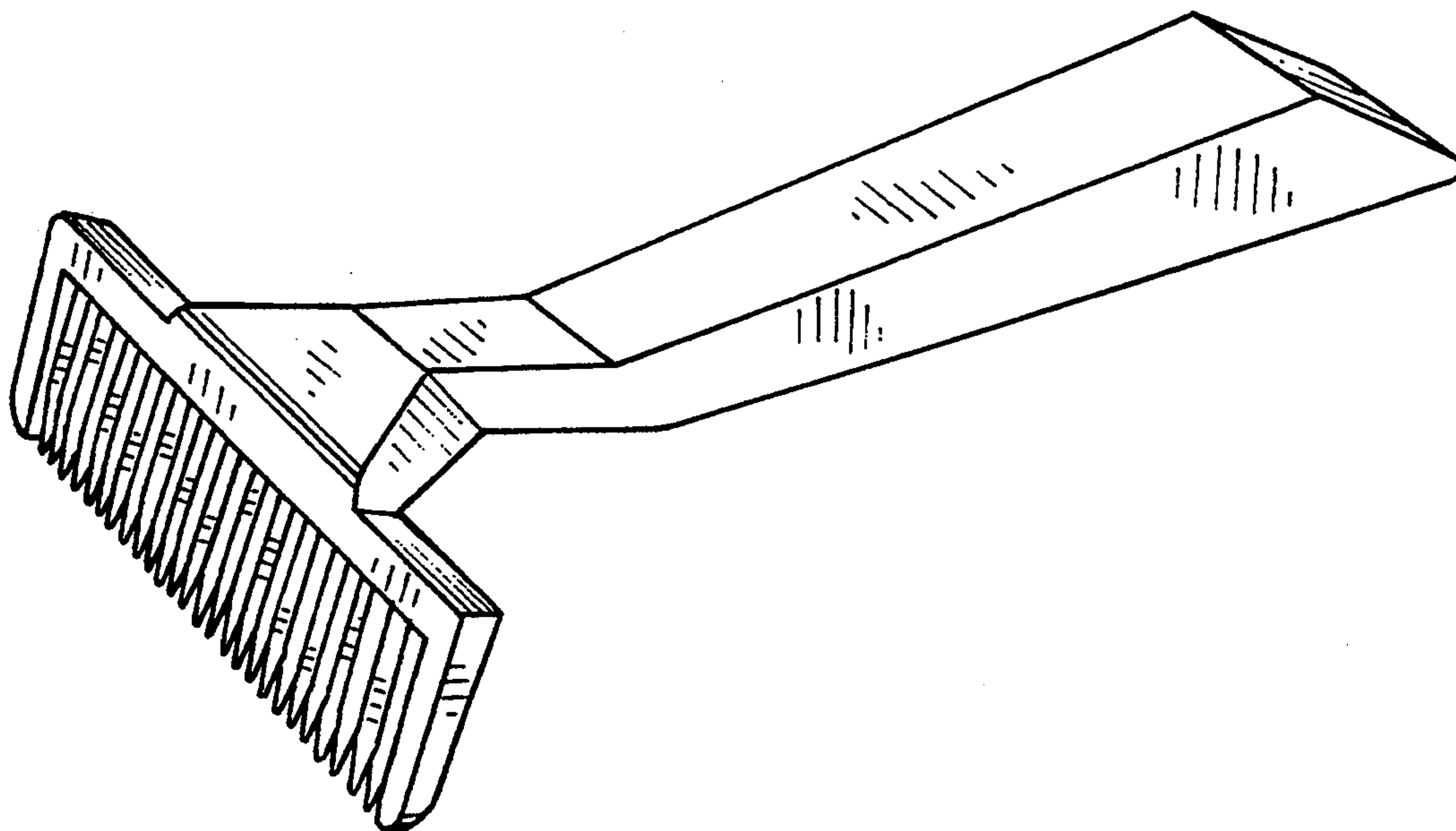


FIG. 1

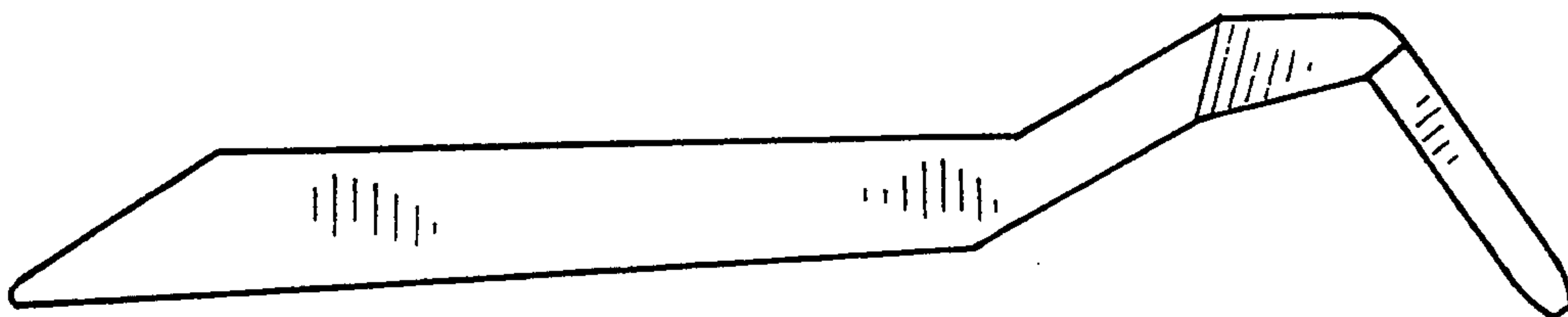
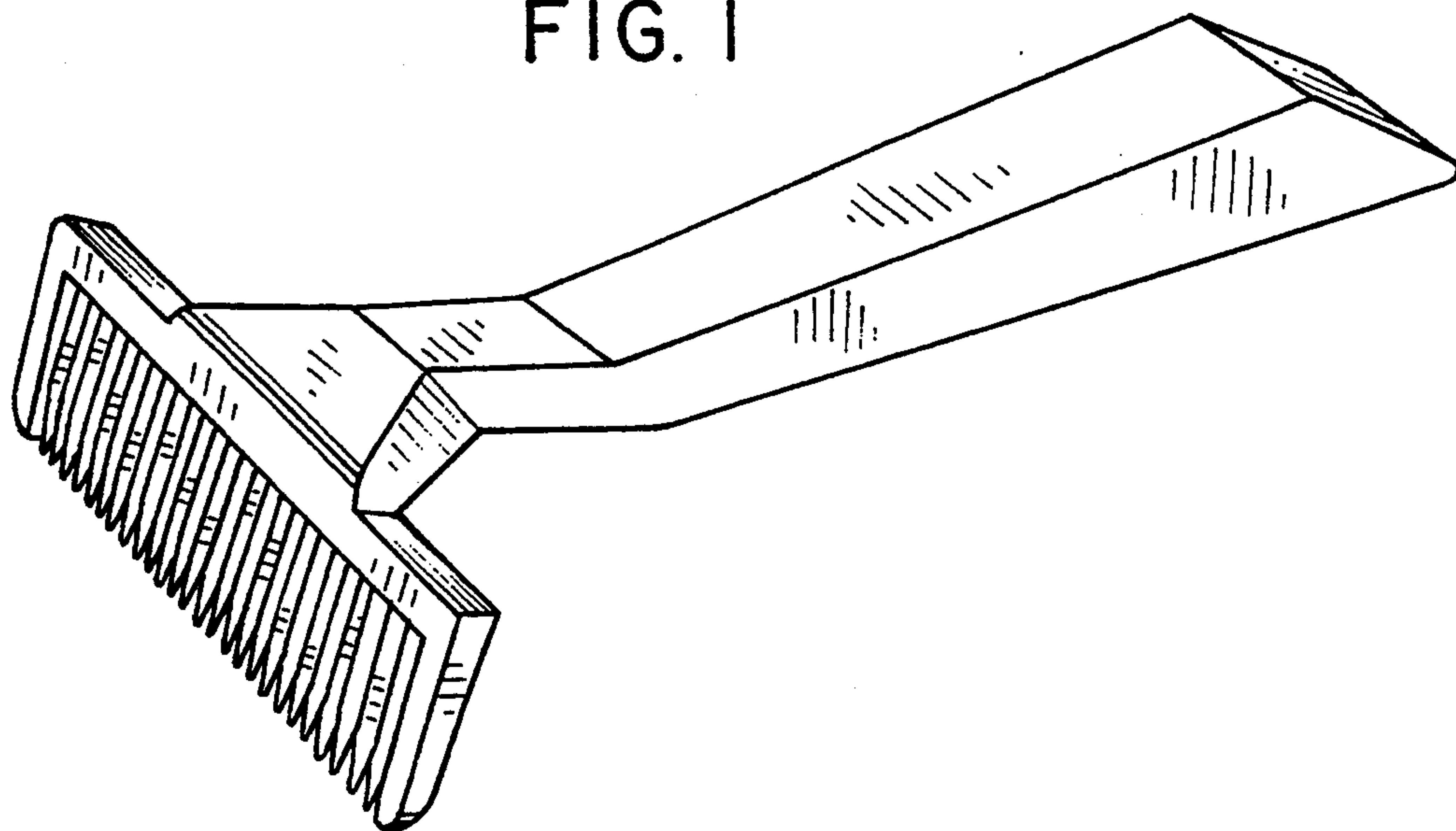


FIG. 2

FIG. 3

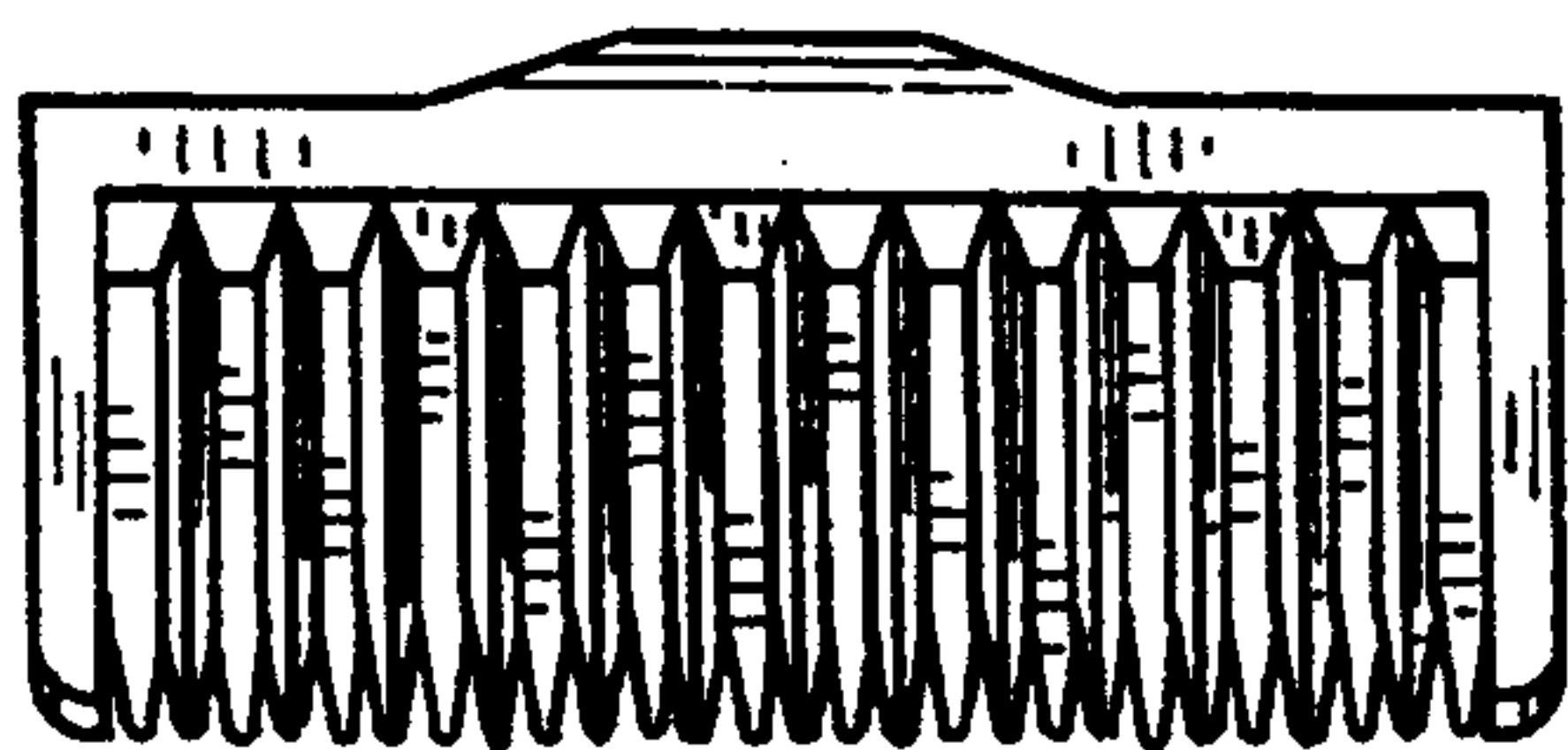
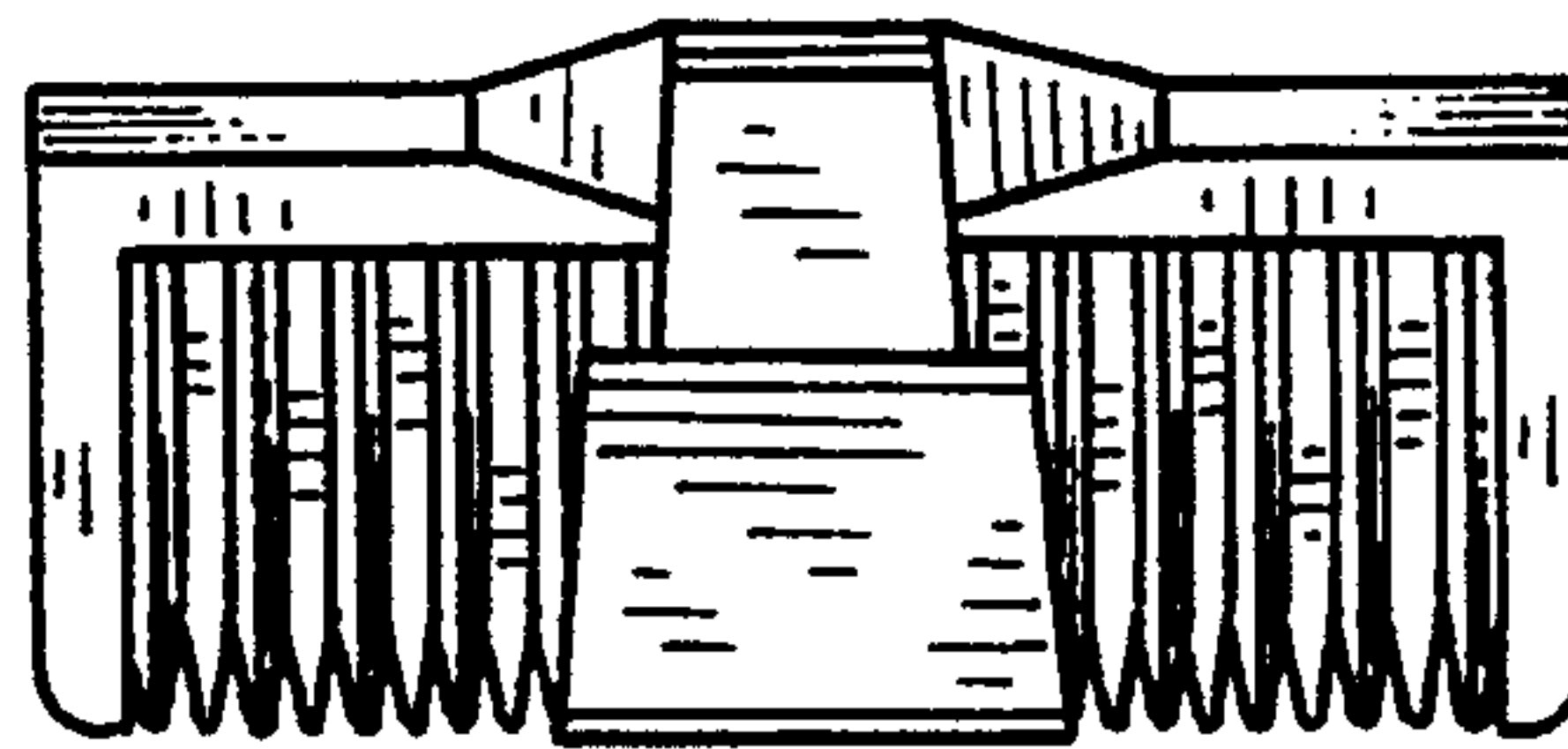


FIG. 4



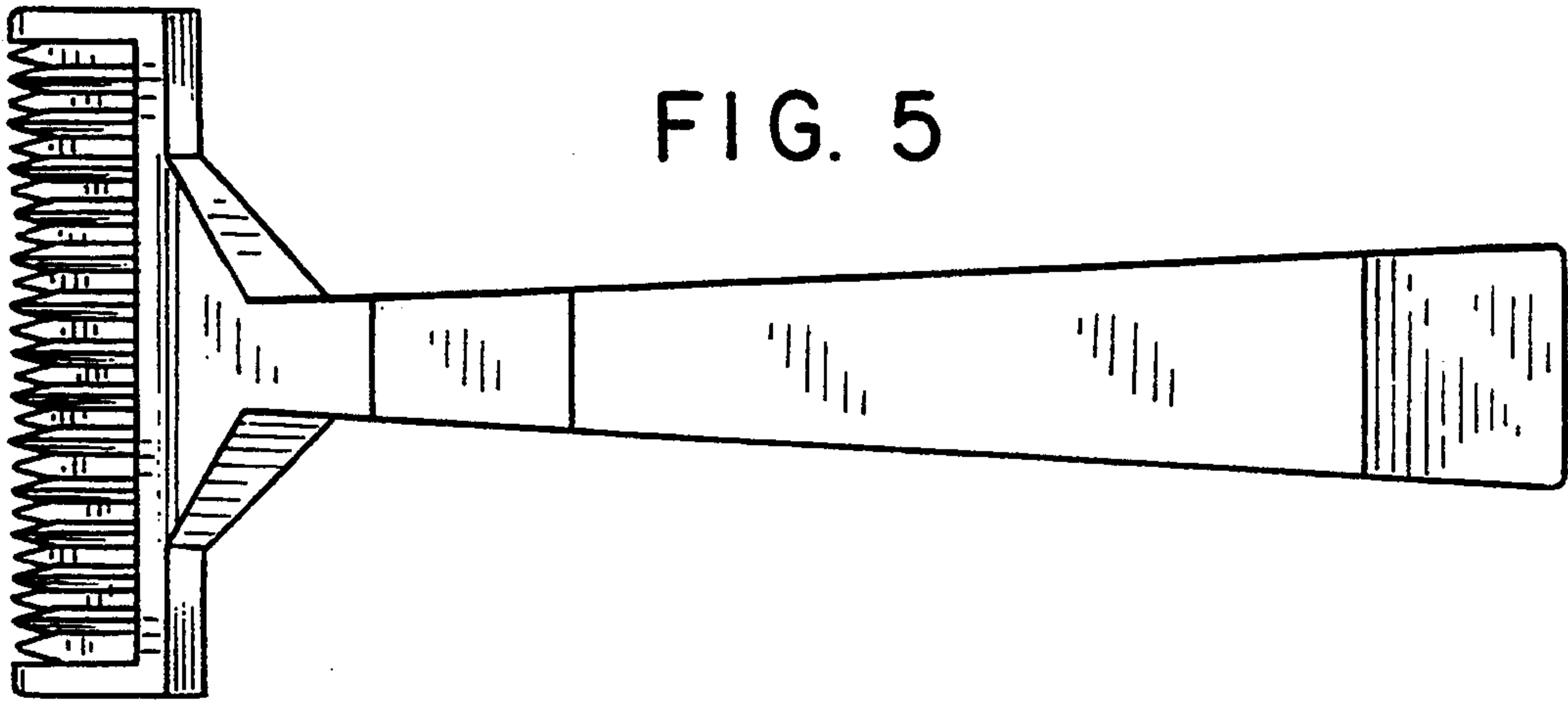


FIG. 5

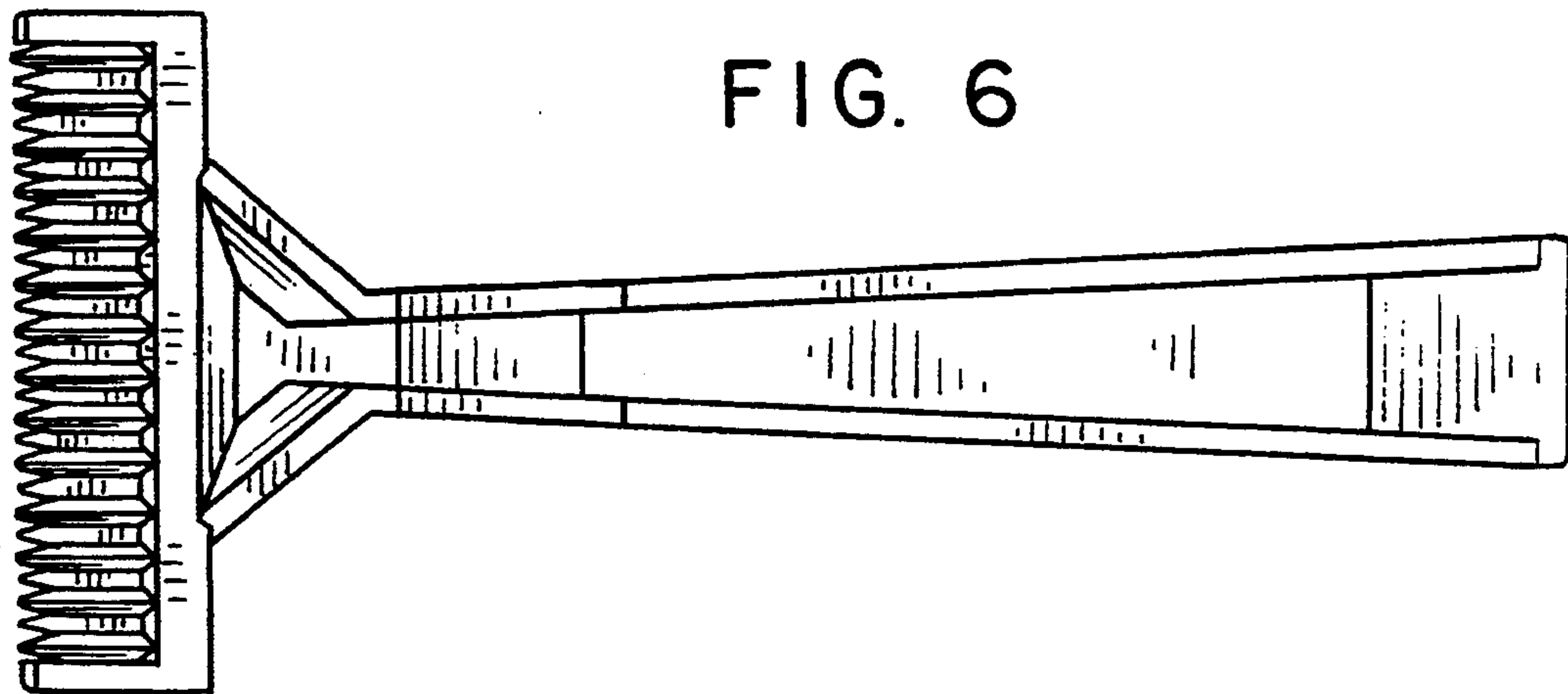


FIG. 6

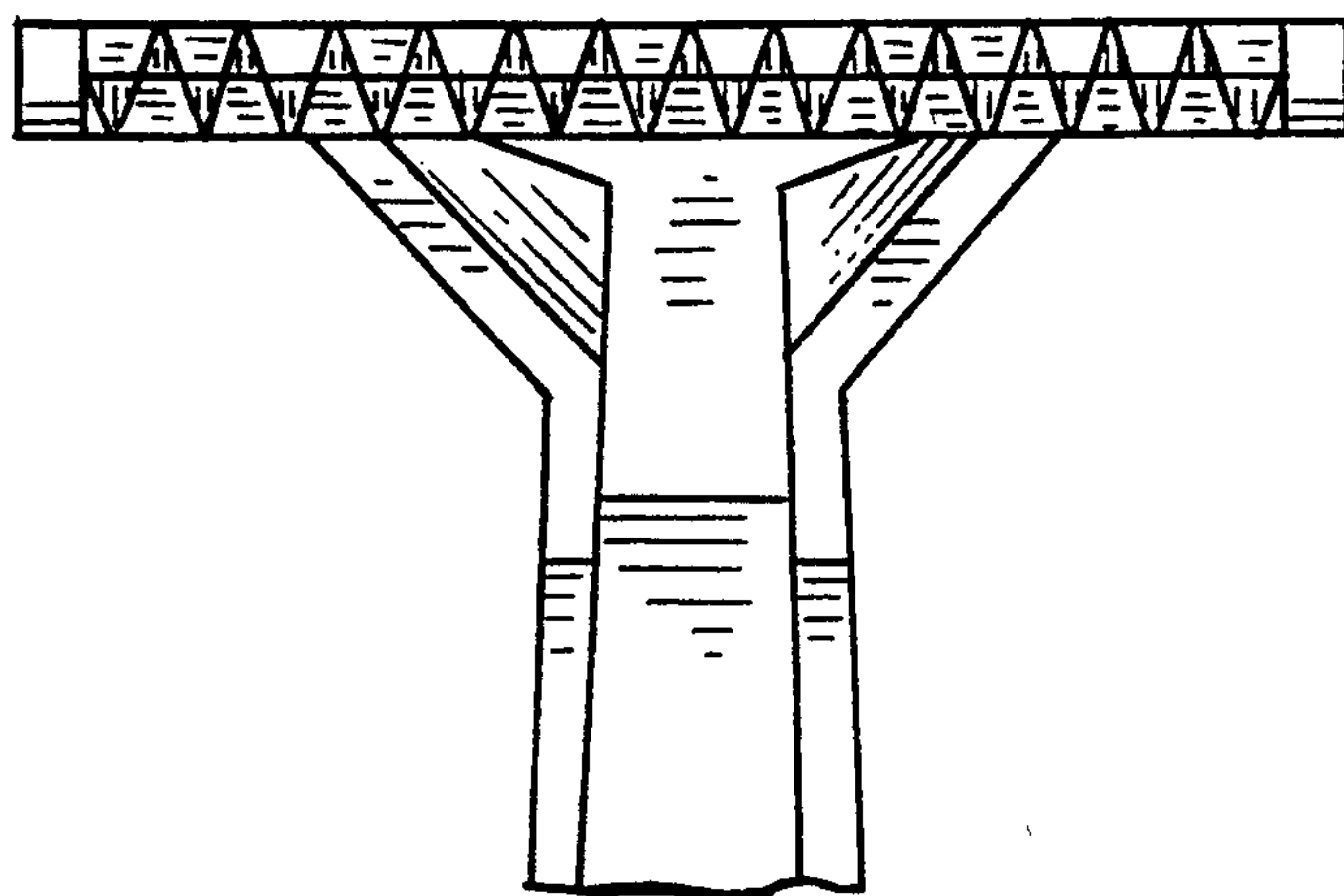


FIG. 7