



US00D353224S

United States Patent [19]
Rizzuto, Jr.

[11] **Patent Number: Des. 353,224**
[45] **Date of Patent: ** Dec. 6, 1994**

[54] **HAIR DRYER**

[75] **Inventor: Leandro P. Rizzuto, Jr., Stamford, Conn.**
[73] **Assignee: Conair Corporation, Stamford, Conn.**
[**] **Term: 14 Years**
[21] **Appl. No.: 7,174**
[22] **Filed: Apr. 19, 1993**
[52] **U.S. Cl. D28/13**
[58] **Field of Search 34/96-101; 392/384-385; D28/13-18**

OTHER PUBLICATIONS

Best 1984-1985 cat.; p. 237-items 8 and 10, Clairol hair dryers.
W Bell 1986 cat.; p. 232-item No. 5; Black & Decker Mini Stowaway hair dryer.
Evans 1988/1989 cat.; p. 205y-items 4 and 5: Vidal Sassoon hair dryers.
"Hong Kong Enterprise" Jun. 1991, p. 187; hairdryers H4, H5 & H6.
"Hong Kong Enterprise" Oct. 1991; p. 844-hair dryer at top-HD179.6.

Primary Examiner—Bernard Ansher
Assistant Examiner—C. Tuttle
Attorney, Agent, or Firm—Haynes N. Johnson

[57] **CLAIM**

The ornamental design for a hair dryer, as shown and described.

DESCRIPTION

FIG. 1 is a perspective view of a hair dryer, showing my new design;
FIG. 2 is a left side elevation thereof;
FIG. 3 is a right side elevation thereof;
FIG. 4 is a front elevation thereof;
FIG. 5 is a rear elevation thereof;
FIG. 6 is a top plan view thereof; and,
FIG. 7 is a bottom plan view thereof.

[56] **References Cited**

U.S. PATENT DOCUMENTS

D. 196,341	9/1963	Gardner	D28/13
D. 232,128	7/1974	Rizzuto	D28/13
D. 238,009	12/1975	Long	D28/13
D. 248,169	6/1978	Yamamoto	D28/13
D. 290,528	6/1987	Muller	D28/13
D. 300,064	2/1989	Francis et al.	D28/13

FOREIGN PATENT DOCUMENTS

2067071	7/1981	United Kingdom	392/384
---------	--------	----------------------	---------

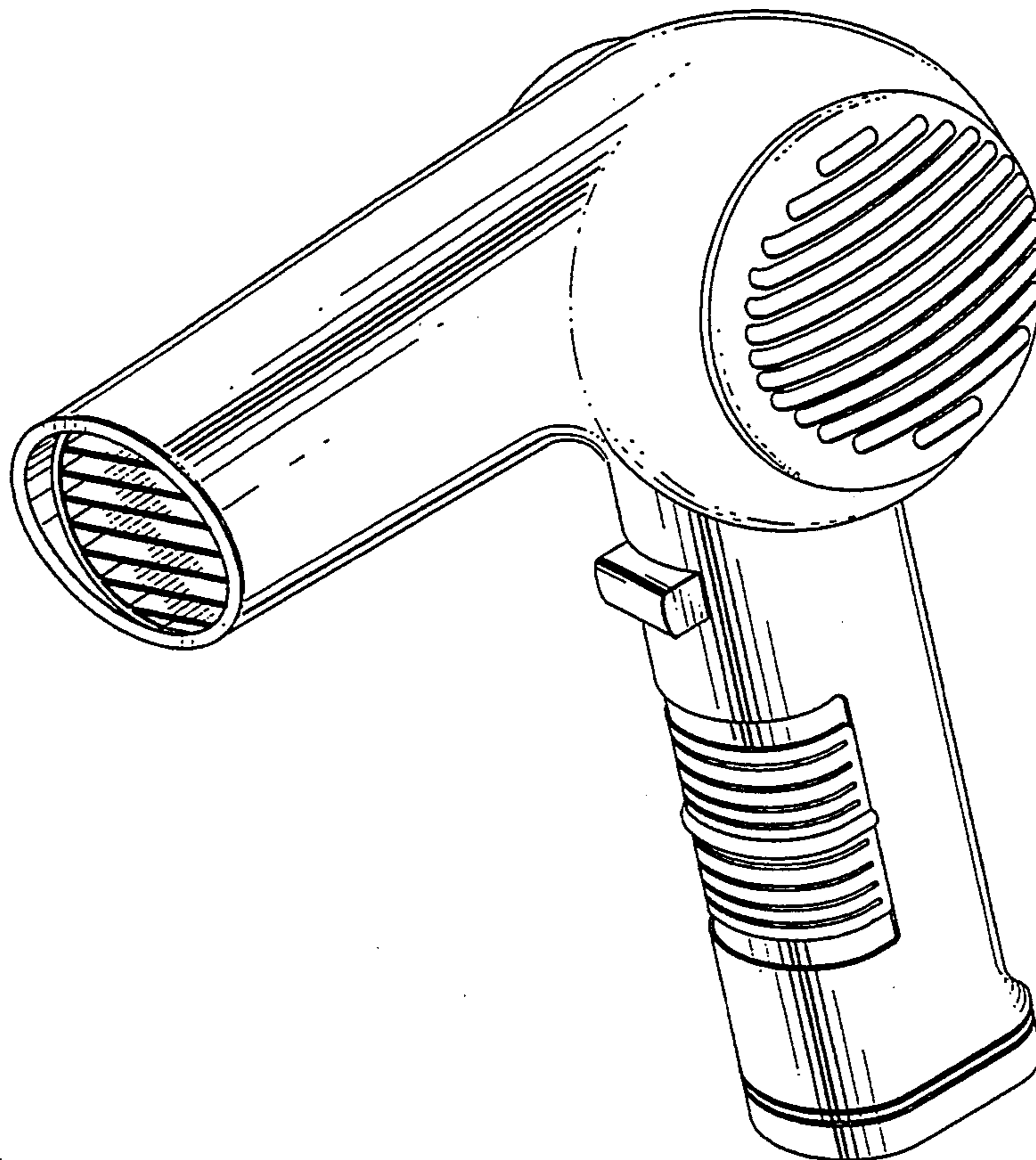
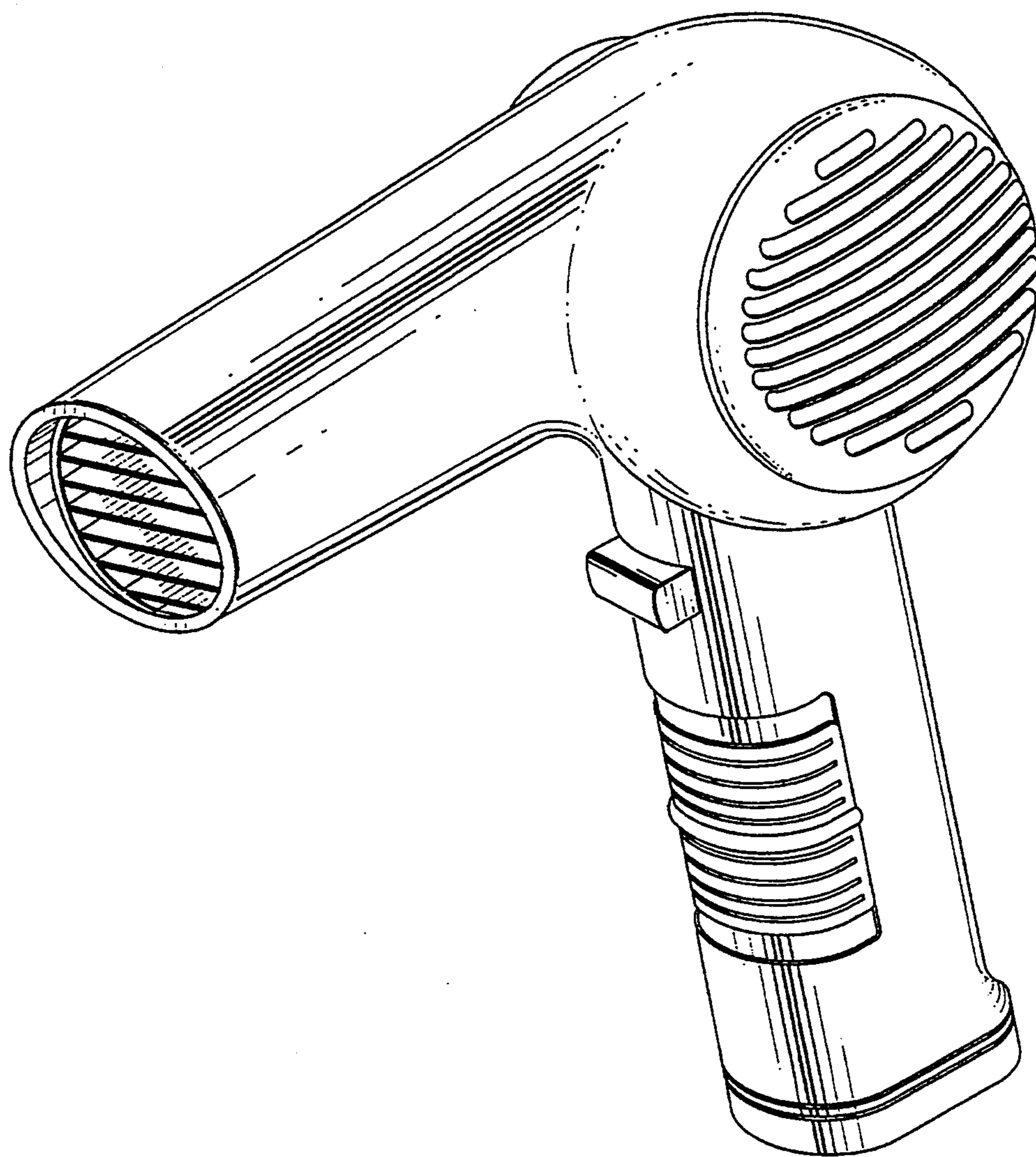


FIG. 1



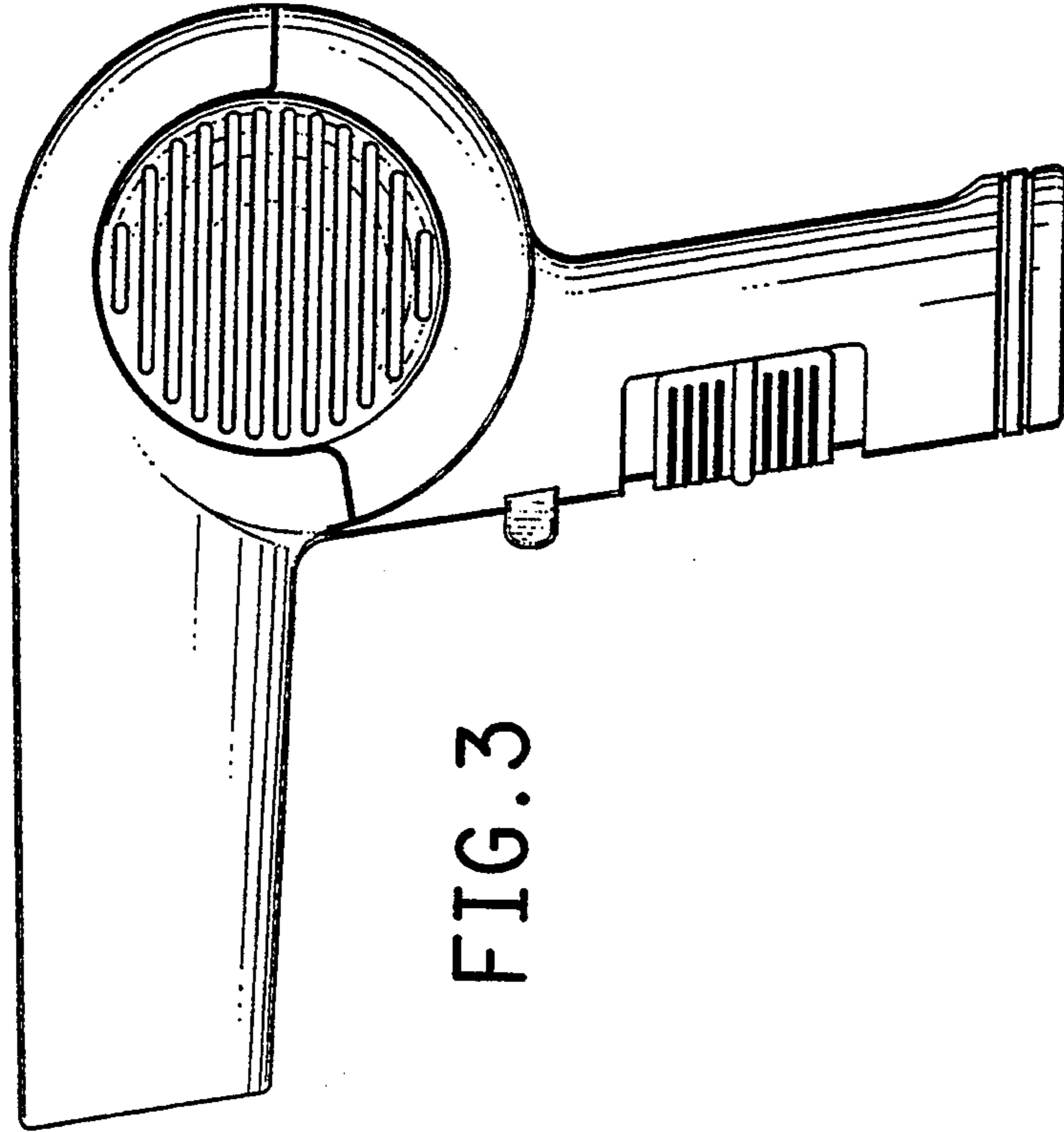


FIG. 3

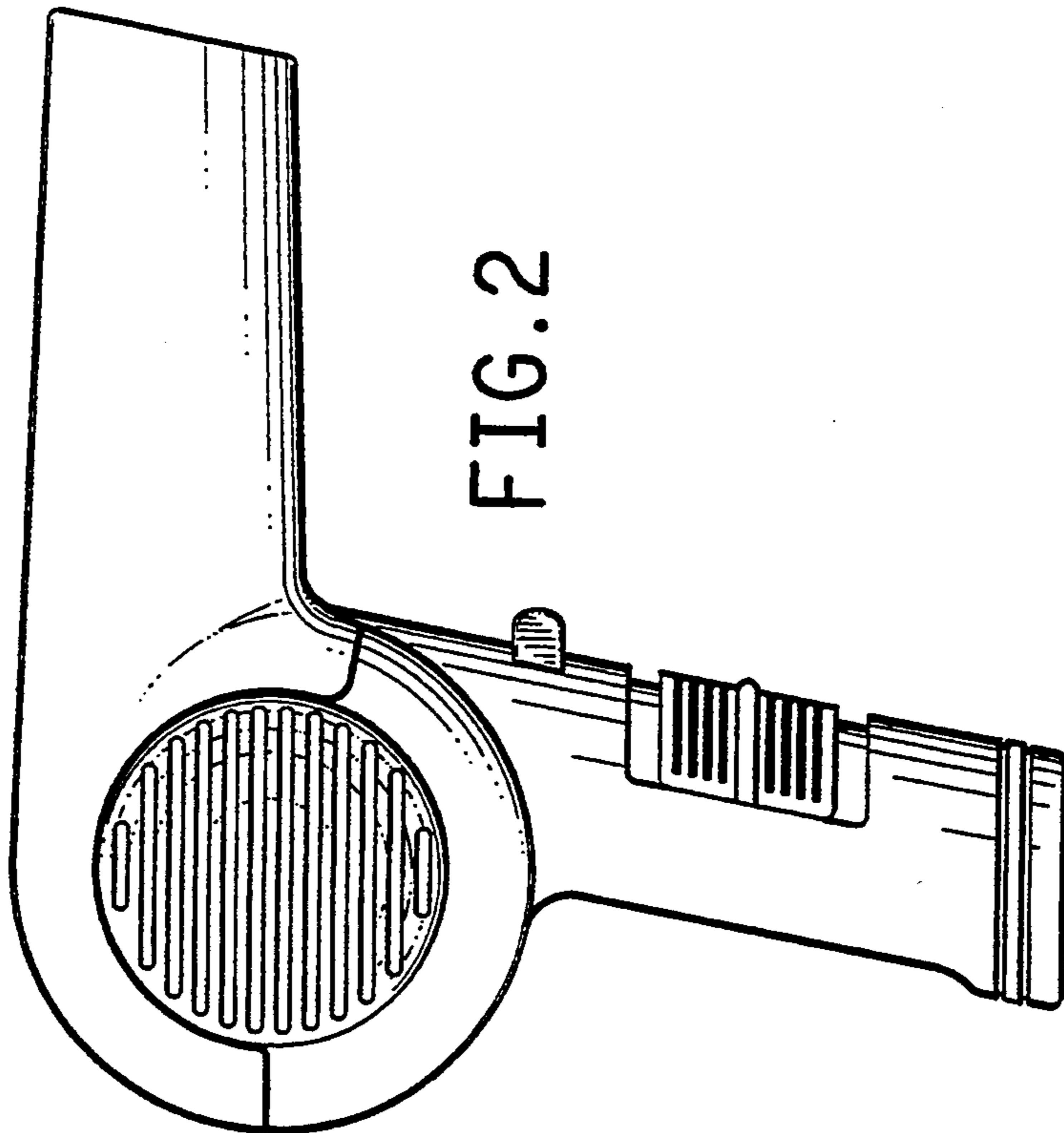


FIG. 2

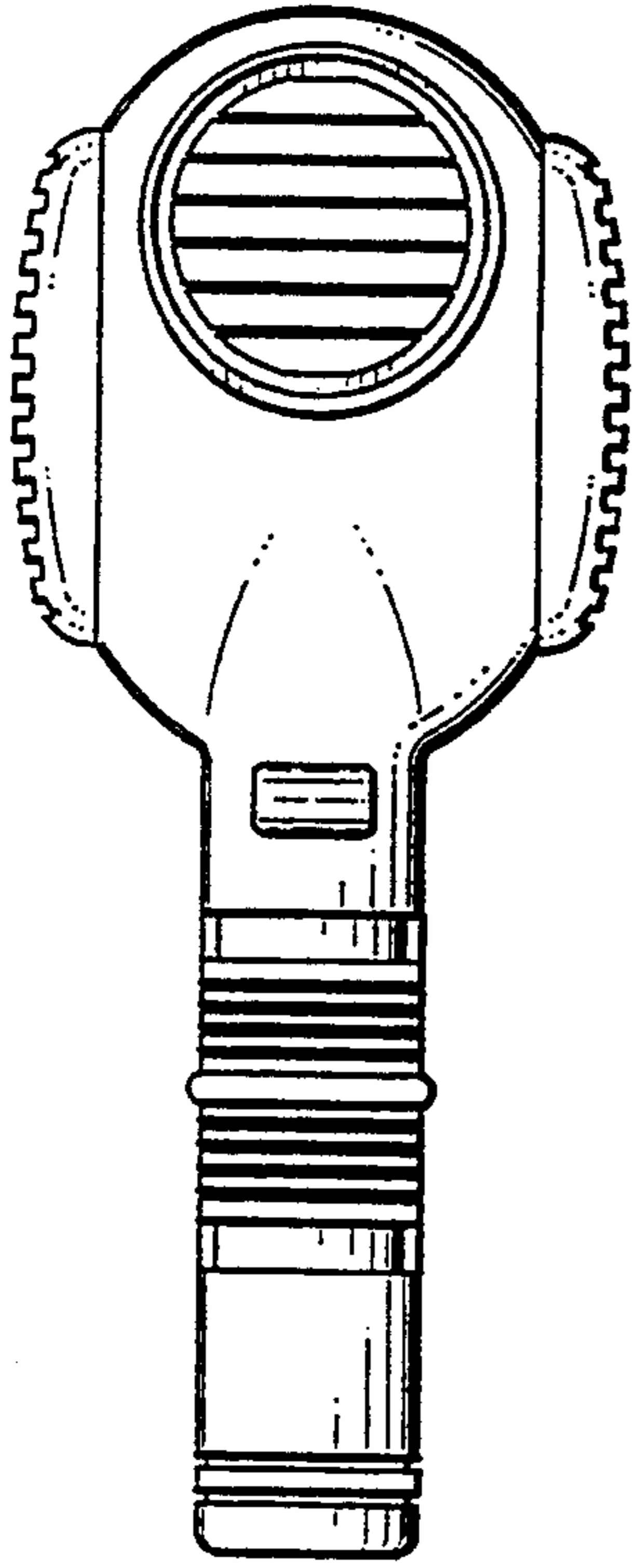


FIG. 4

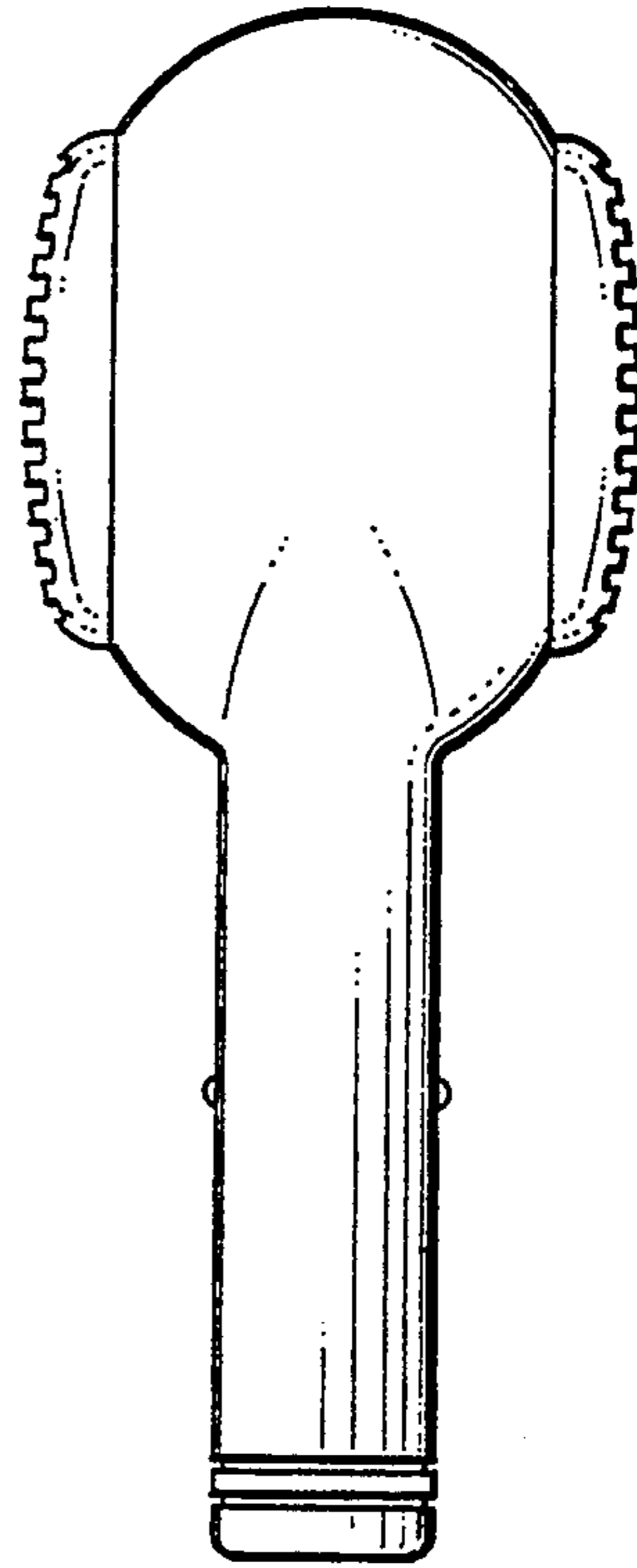


FIG. 5

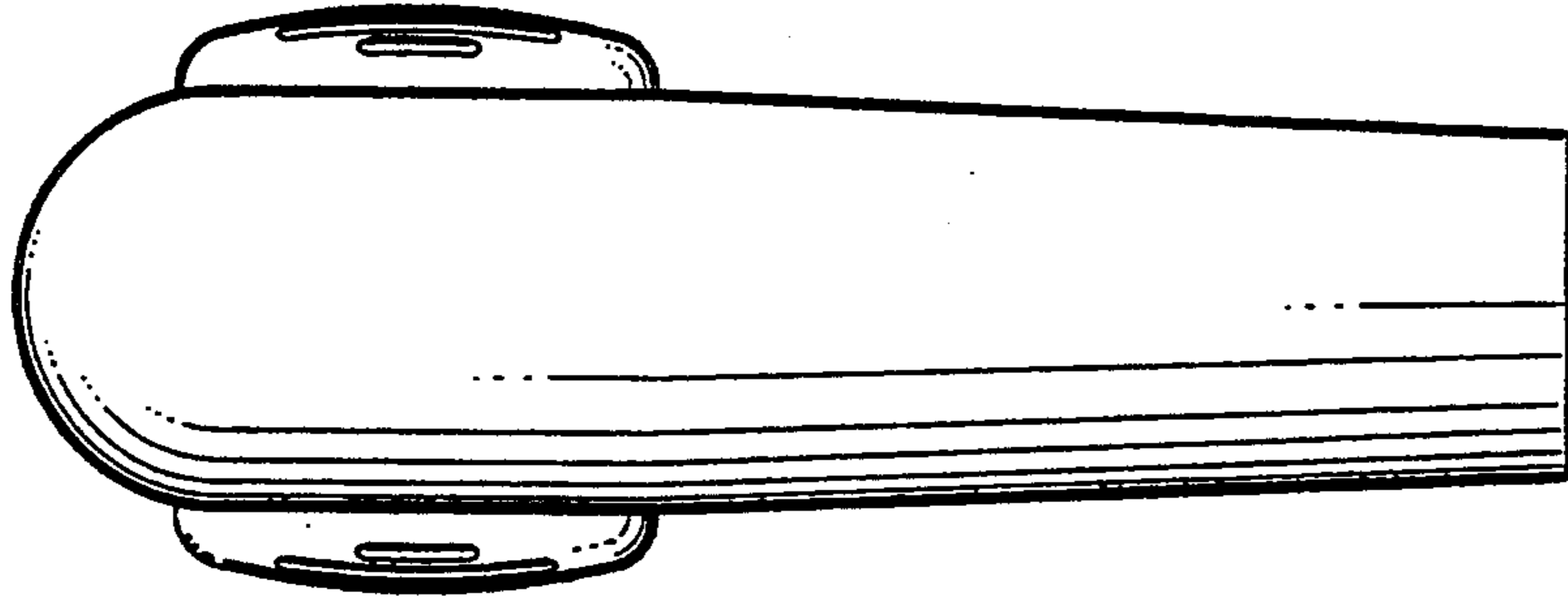


FIG. 6

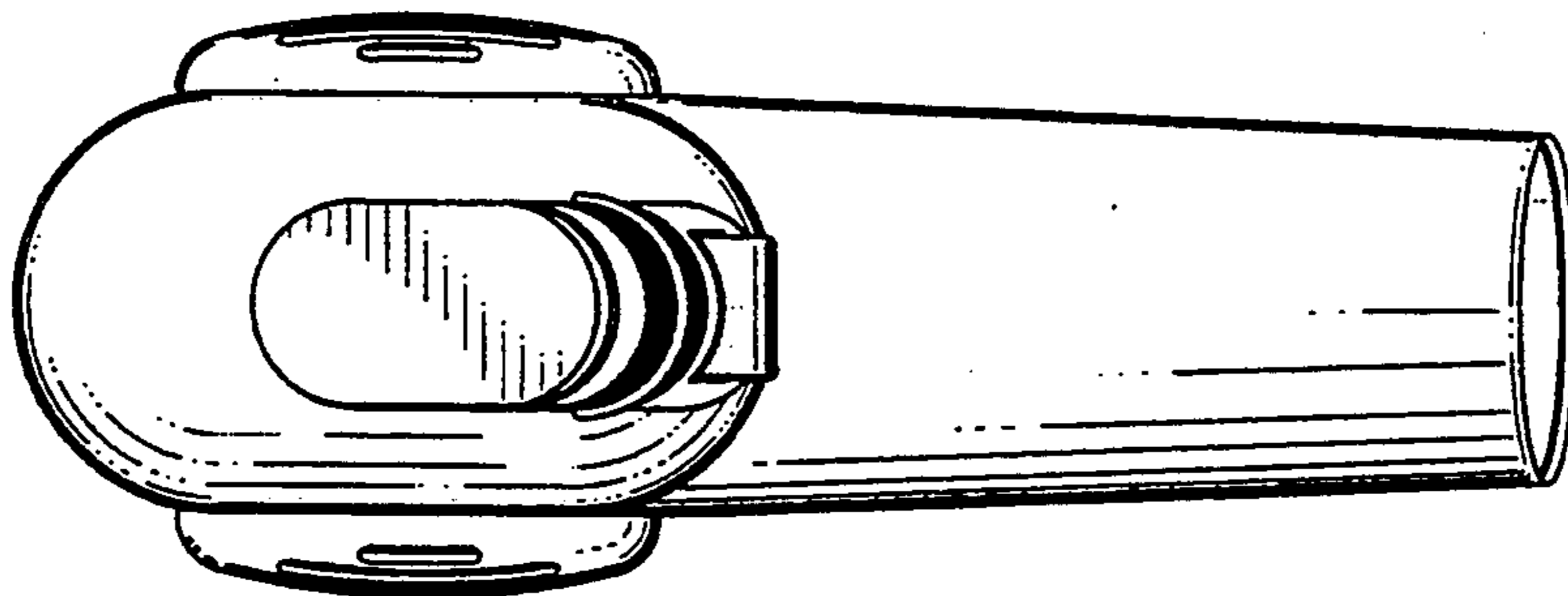


FIG. 7