



US00D353221S

United States Patent [19]

[11] Patent Number: **Des. 353,221**

Scott et al.

[45] Date of Patent: **** Dec. 6, 1994**

[54] **FLASHLIGHT CLIP FOR HELMET**

Primary Examiner—Susan J. Lucas
Attorney, Agent, or Firm—Douglas B. White

[76] Inventors: **Donald L. Scott**, 6262 20th St.,
Rockford, Ill. 61109; **Chris P. Scott**,
1011 21st St., Rockford, Ill. 61108

[57] **CLAIM**

The ornamental design for a flashlight clip for helmet,
as shown and described.

[**] Term: **14 Years**

DESCRIPTION

[21] Appl. No.: **909,298**

FIG. 1 is a perspective view of a flashlight clip for
helmet showing my new design;

[22] Filed: **Jul. 6, 1992**

FIG. 2 is a top view thereof on an enlarged scale;

[52] U.S. Cl. **D26/138**

FIG. 3 is a bottom view thereof on an enlarged scale;

[58] Field of Search 362/396, 105, 190, 191,
362/23; D26/39, 138, 140

FIG. 4 is a right side view thereof on an enlarged scale;

FIG. 5 is a rear view thereof on an enlarged scale;

FIG. 6 is a left side view thereof on an enlarged scale;

and,

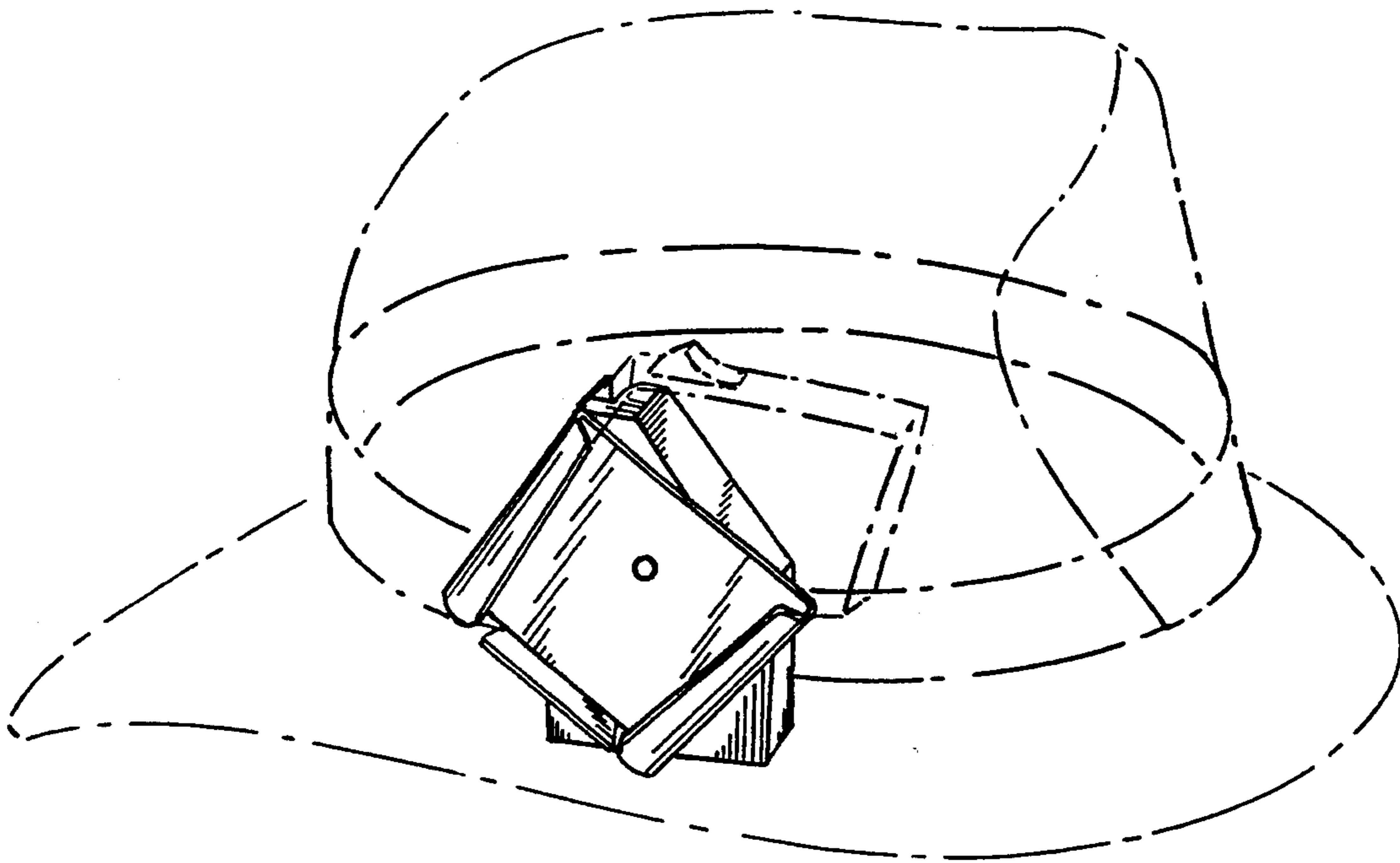
FIG. 7 is a front view thereof on an enlarged scale.

The broken lines are shown for illustrative purposes
only and form no part of the claimed design.

[56] **References Cited**

U.S. PATENT DOCUMENTS

D. 324,926 3/1992 Herrick D26/140
4,970,631 11/1990 Marshall 362/105



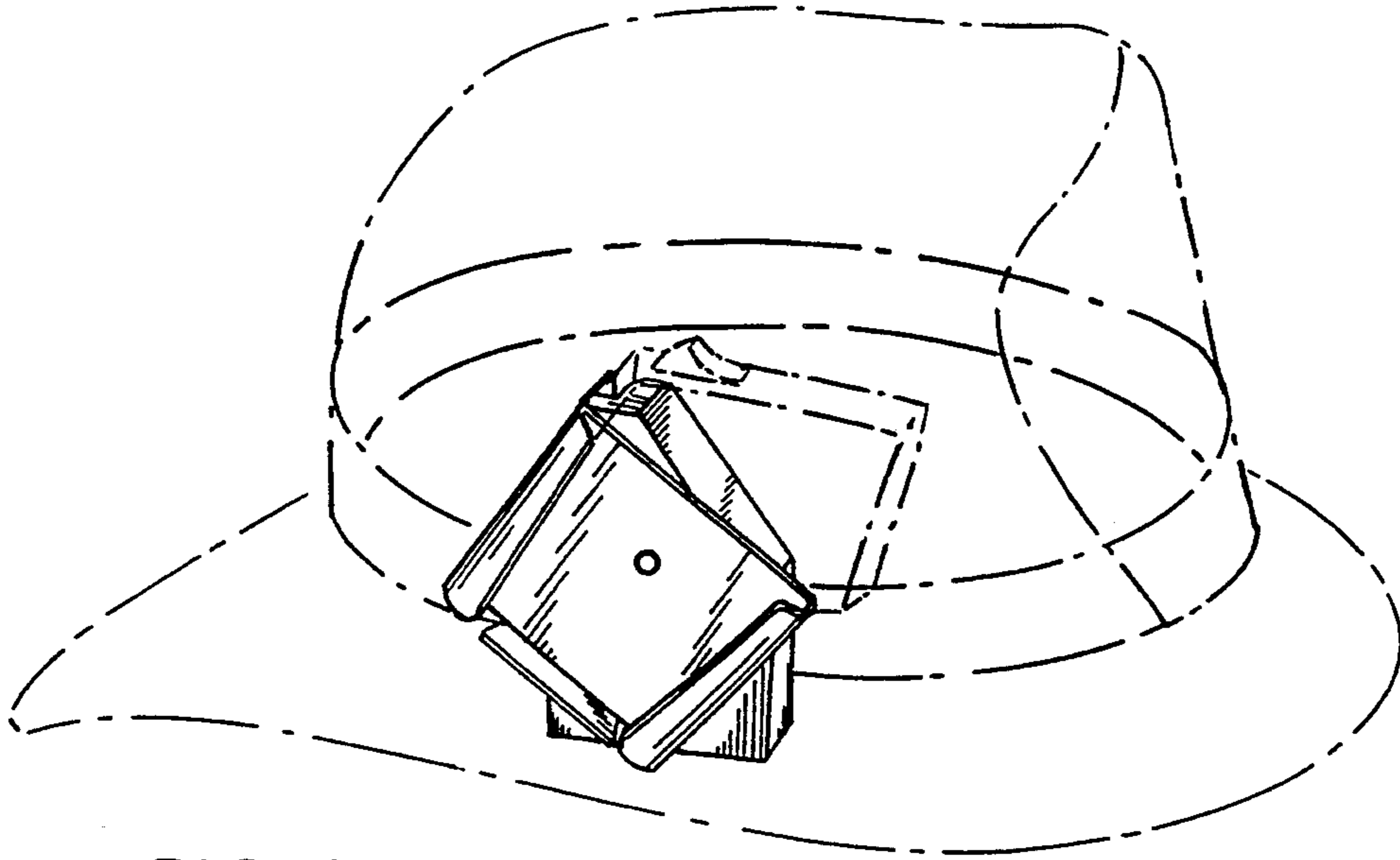


FIG. 1

FIG. 2

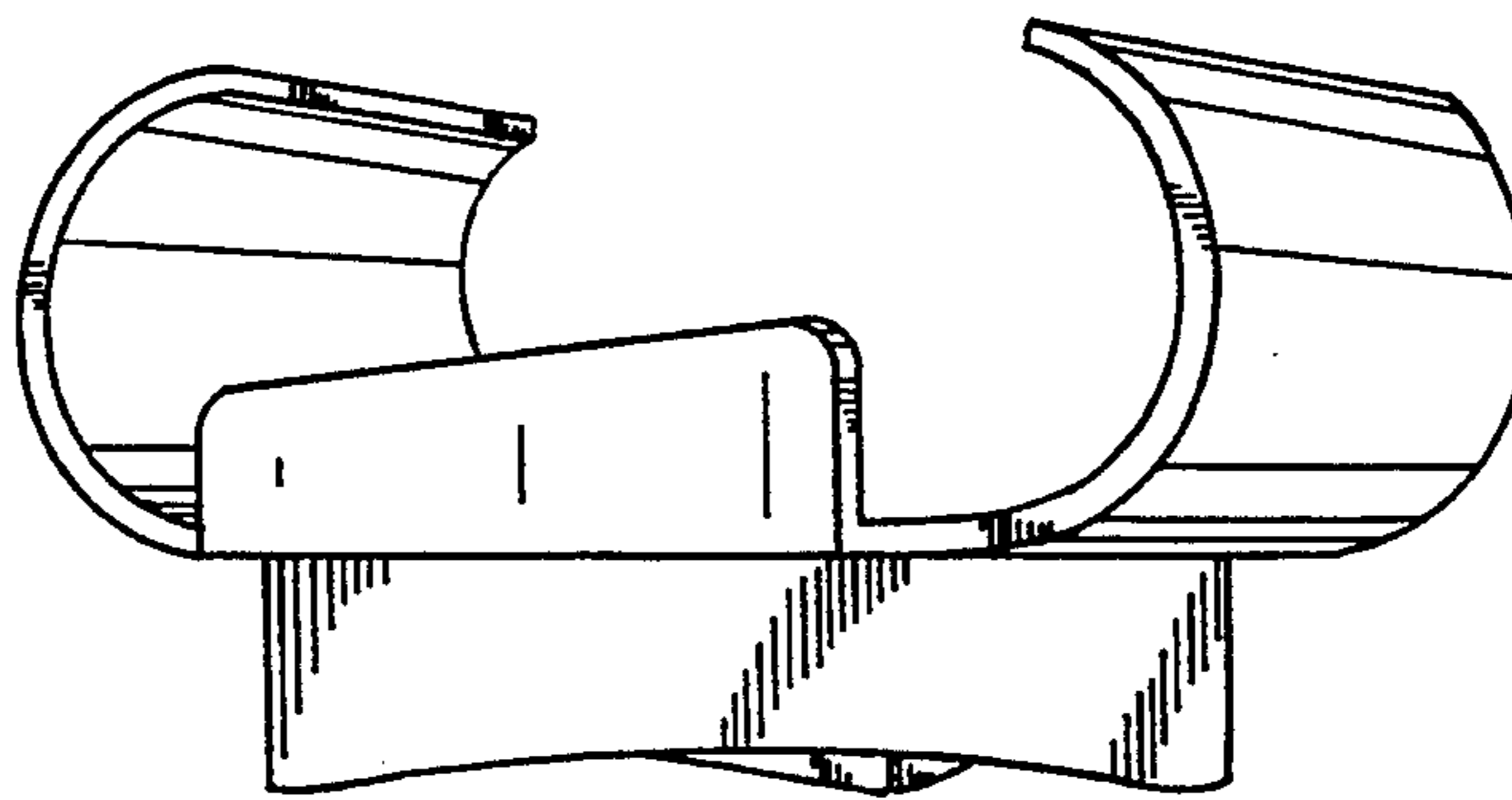
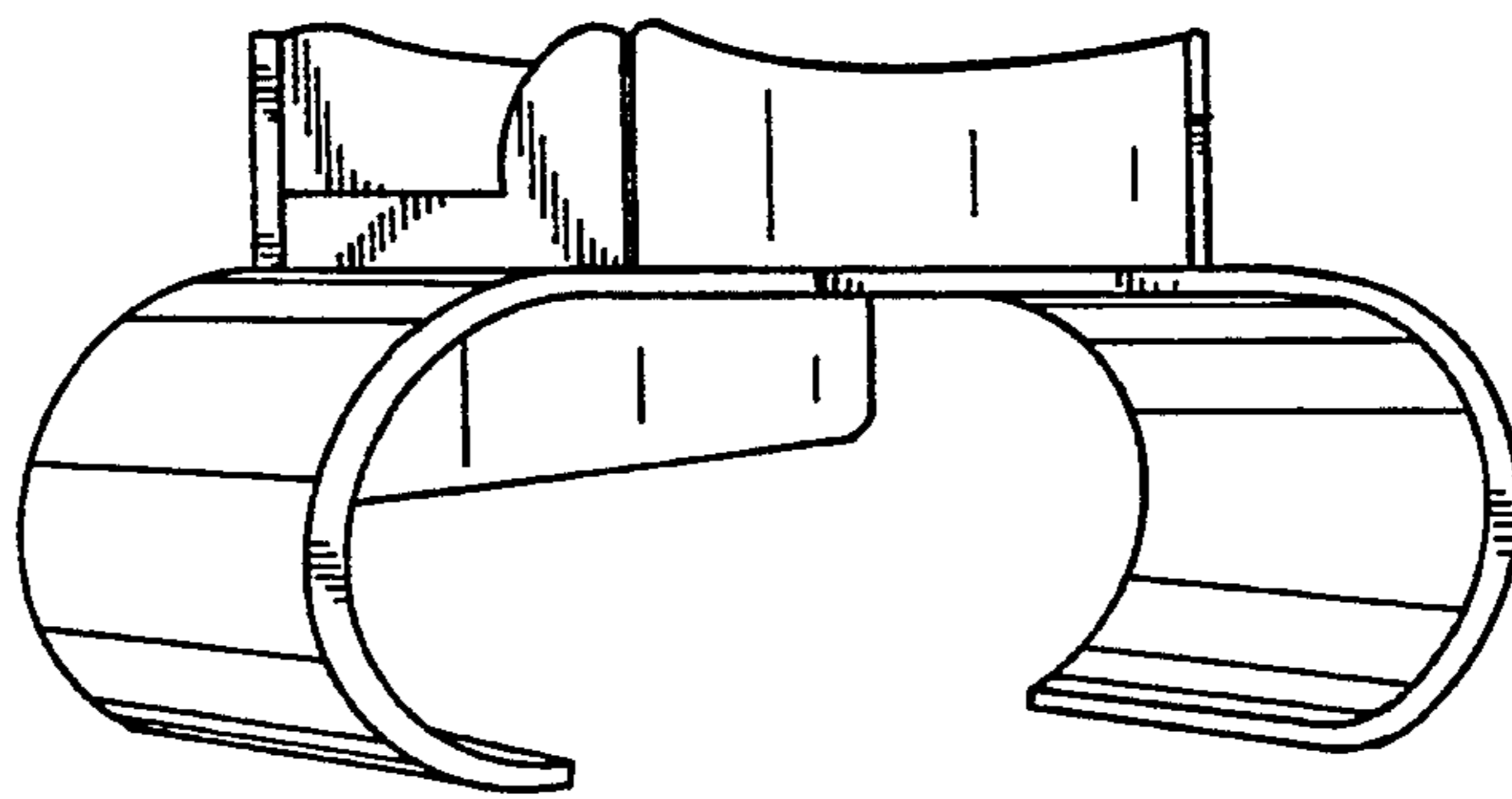


FIG. 3

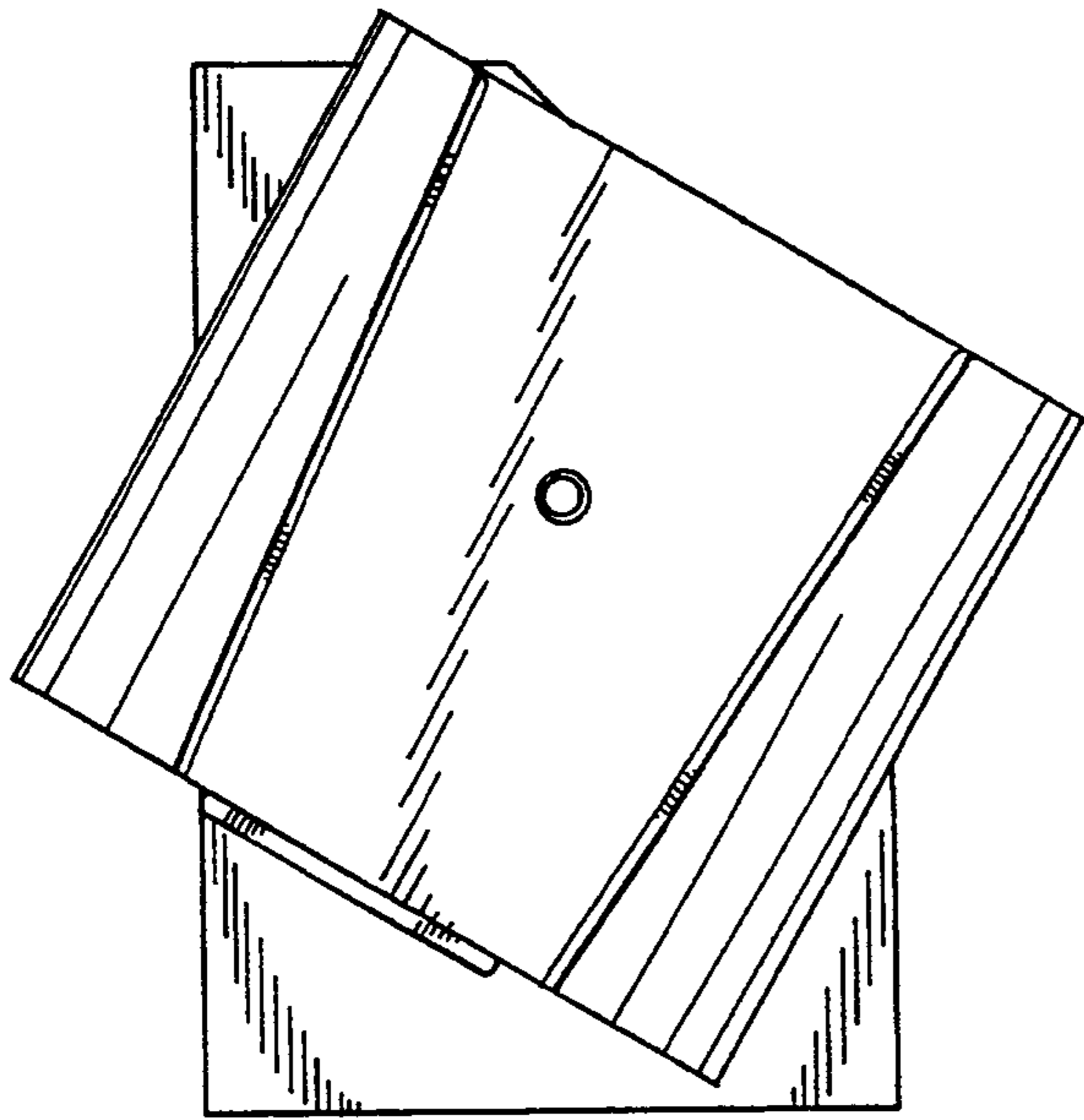


FIG. 4

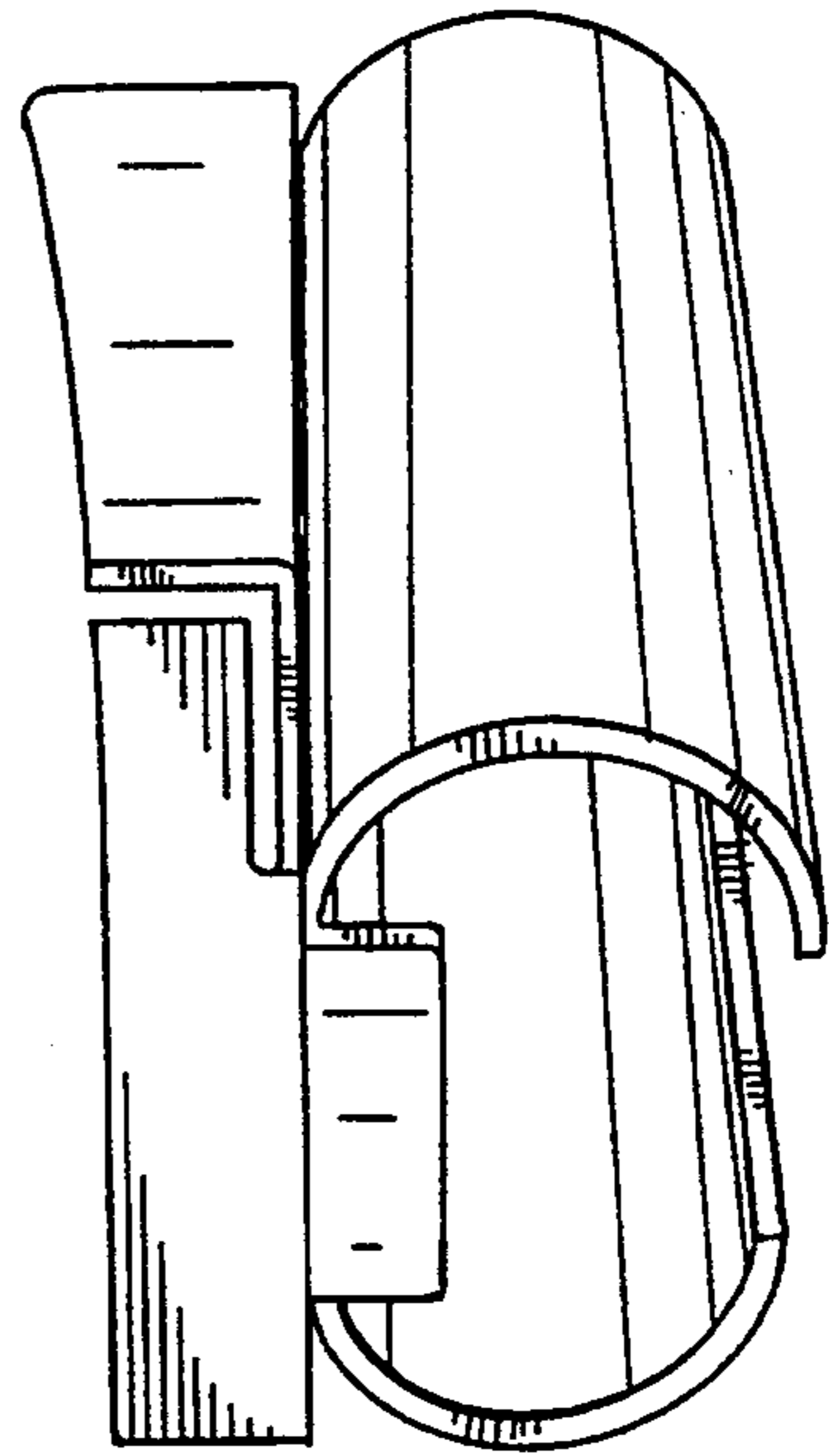


FIG. 5

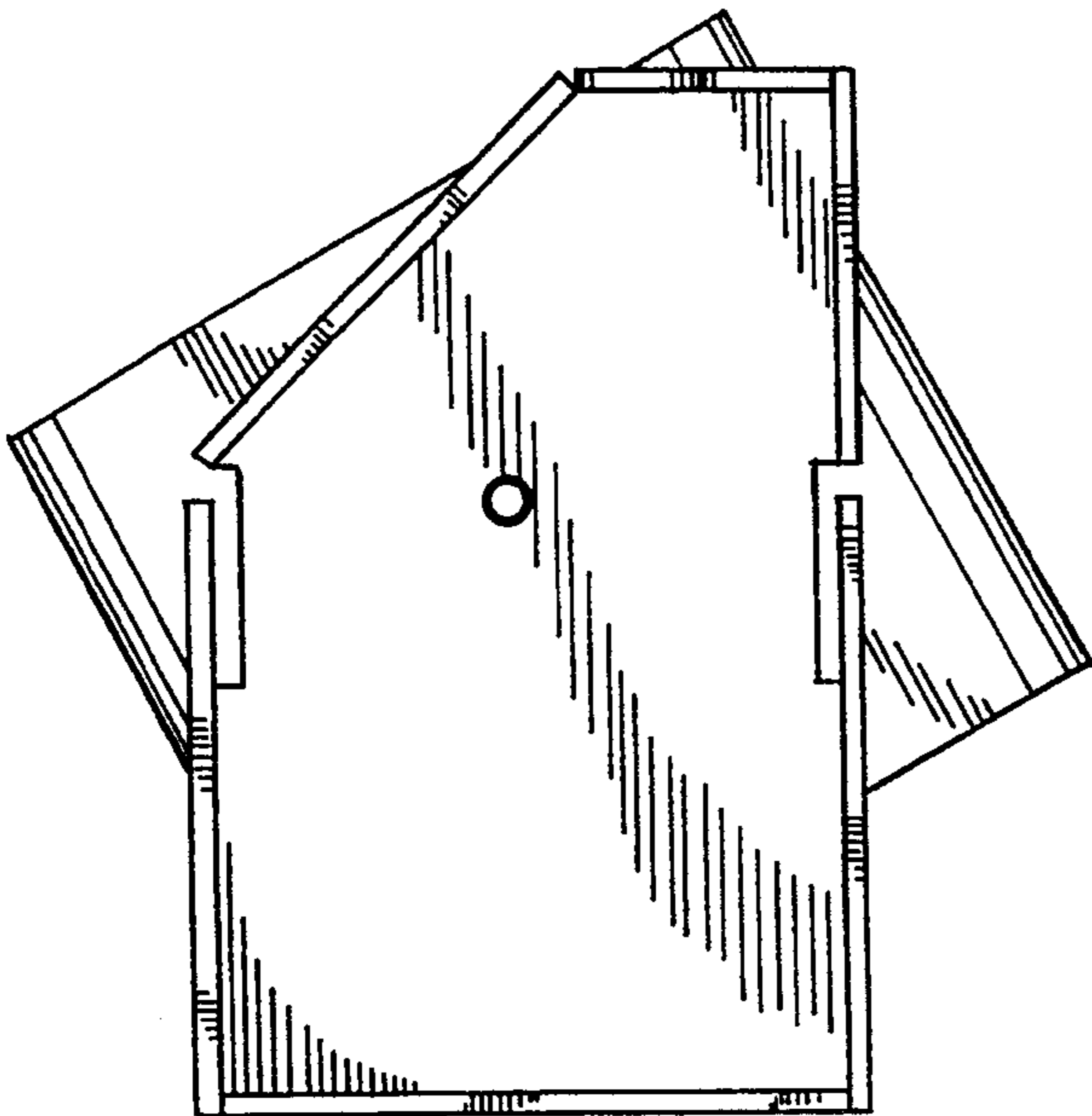


FIG. 6

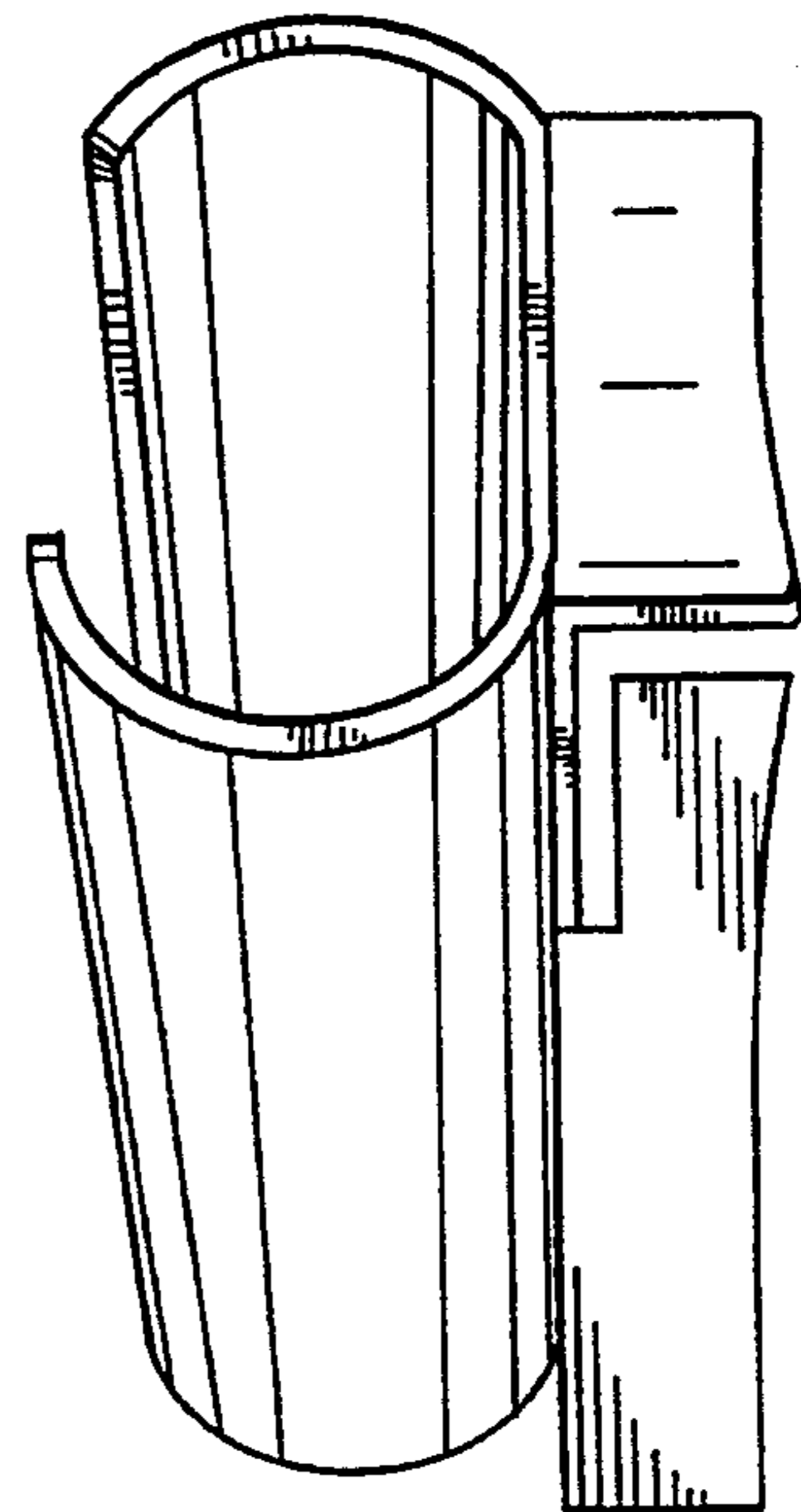


FIG. 7