



US00D353220S

United States Patent [19]

Fiorato

[11] Patent Number: Des. 353,220

[45] Date of Patent: ** Dec. 6, 1994

[54] WALL LAMP

[75] Inventor: Roberto Fiorato, Verona, Italy

[73] Assignee: Prisma S.p.A., Italy

[**] Term: 14 Years

[21] Appl. No.: 51

[22] Filed: Oct. 1, 1992

[30] Foreign Application Priority Data

Apr. 8, 1992 [IT] Italy MI920-000217

[52] U.S. Cl. D26/85

[58] Field of Search 362/147, 404, 432;
D26/72, 80-92

[56] References Cited

U.S. PATENT DOCUMENTS

D. 336,964 6/1993 Janssen et al. D26/85 X
D. 337,846 7/1993 Fiorato D26/85

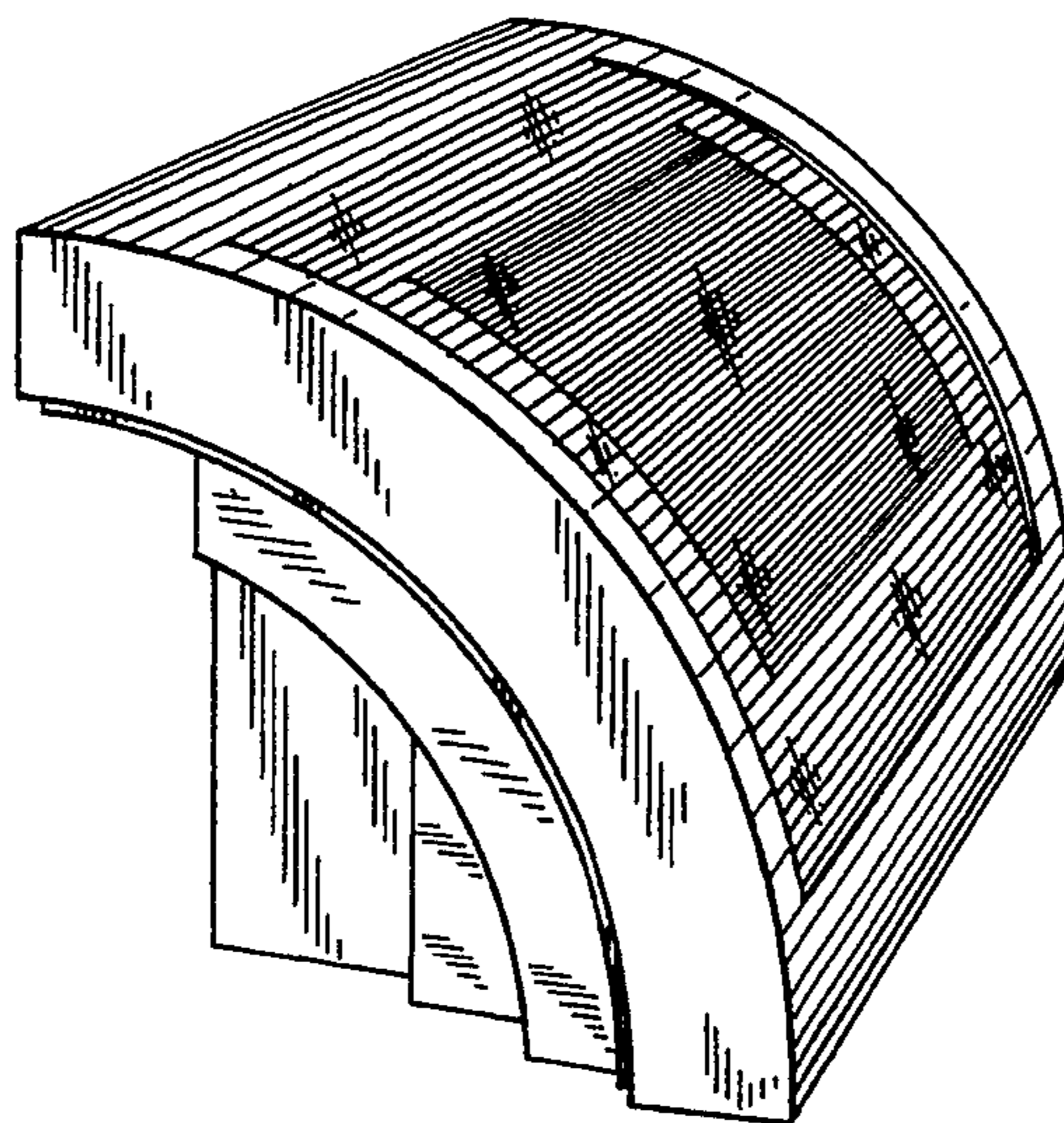
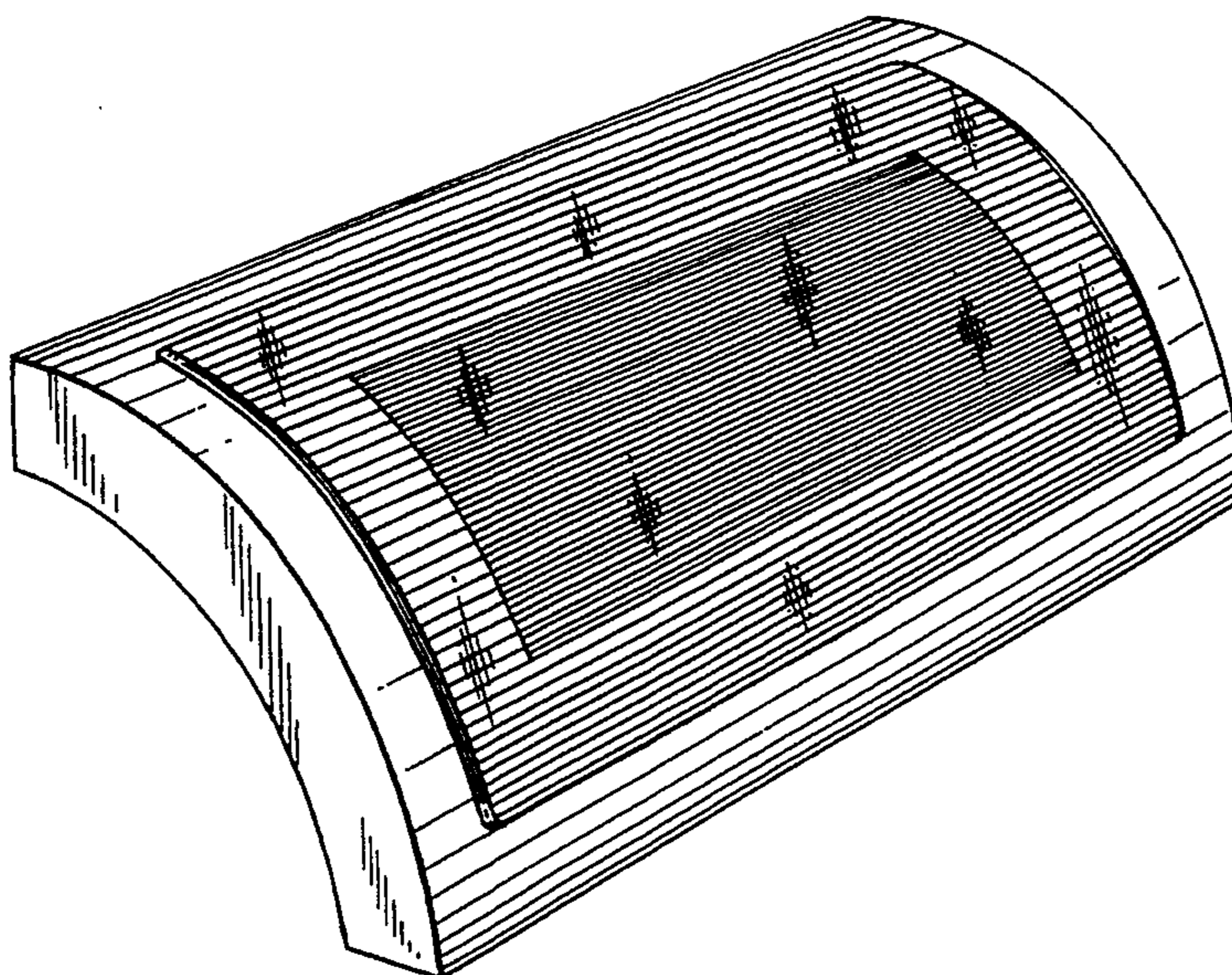
Primary Examiner—Susan J. Lucas
Attorney, Agent, or Firm—Kirschstein, Ottinger, Israel
& Schiffmiller

[57] CLAIM

The ornamental design for a wall lamp, as shown.

DESCRIPTION

FIG. 1 is a front perspective view of the wall lamp;
FIG. 2 is a front, side perspective view thereof;
FIG. 3 is a front elevational view thereof;
FIG. 4 is a rear perspective view thereof; and,
FIG. 5 is a side, rear perspective view thereof.



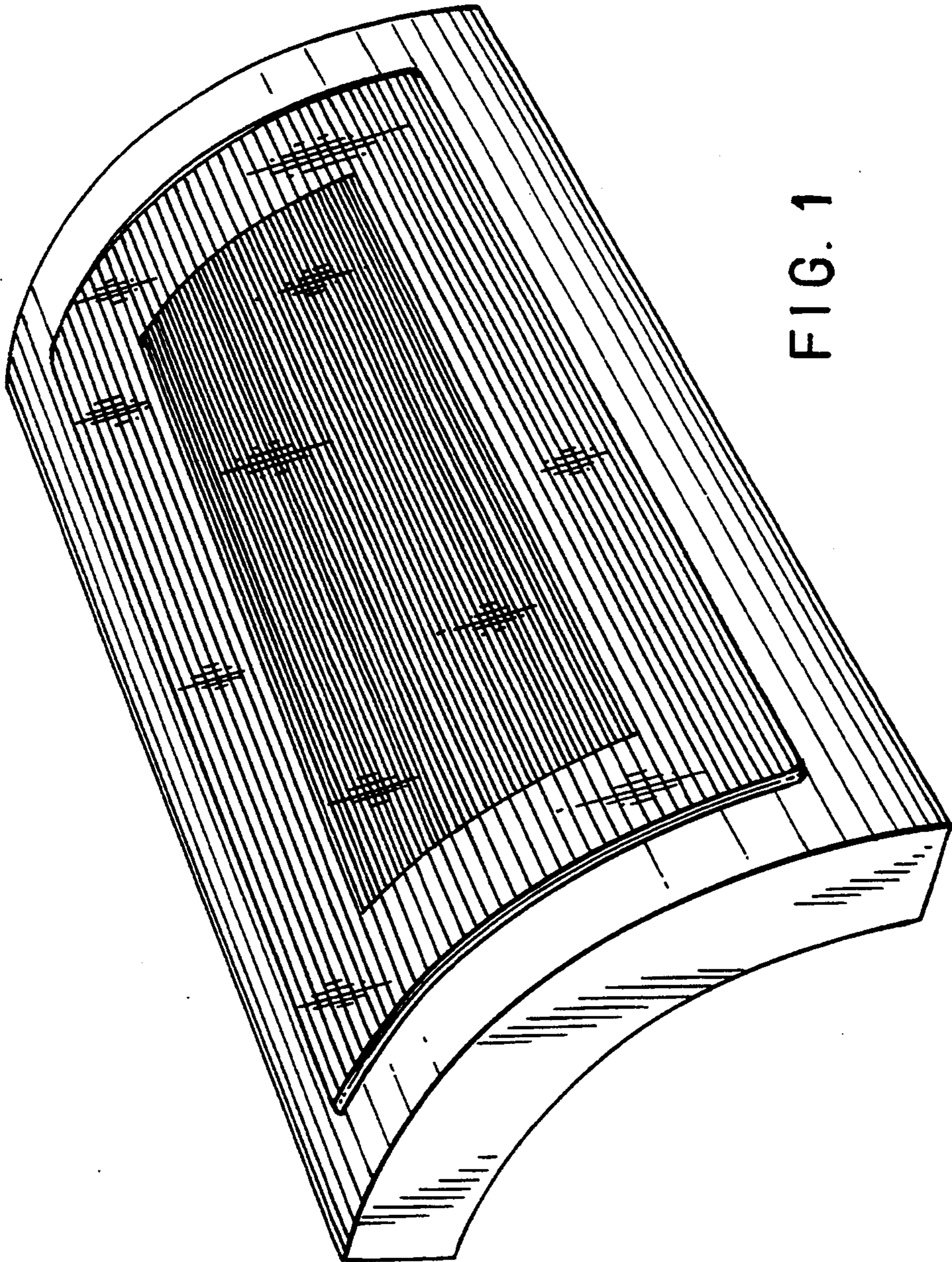


FIG. 1

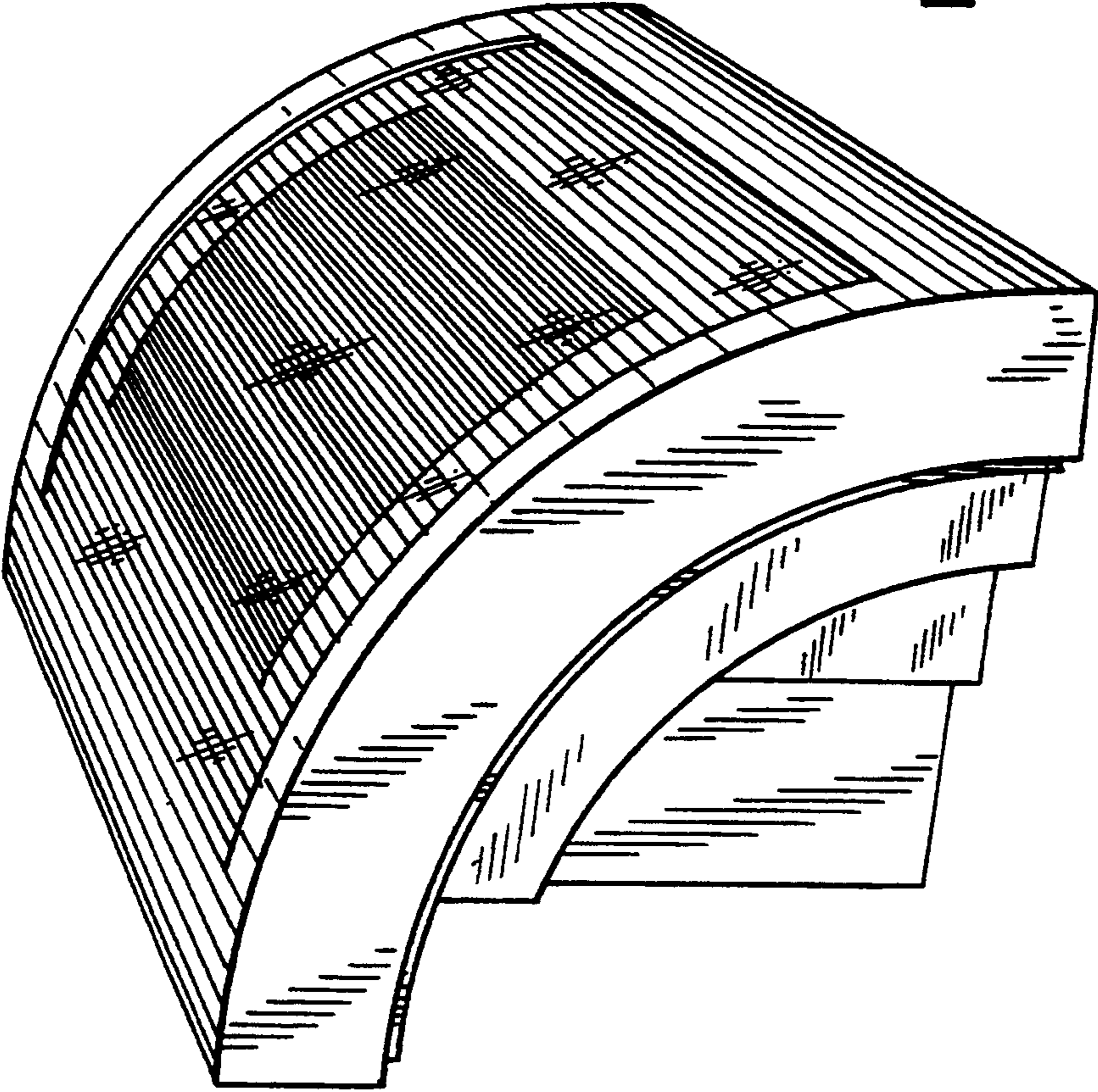


FIG. 2

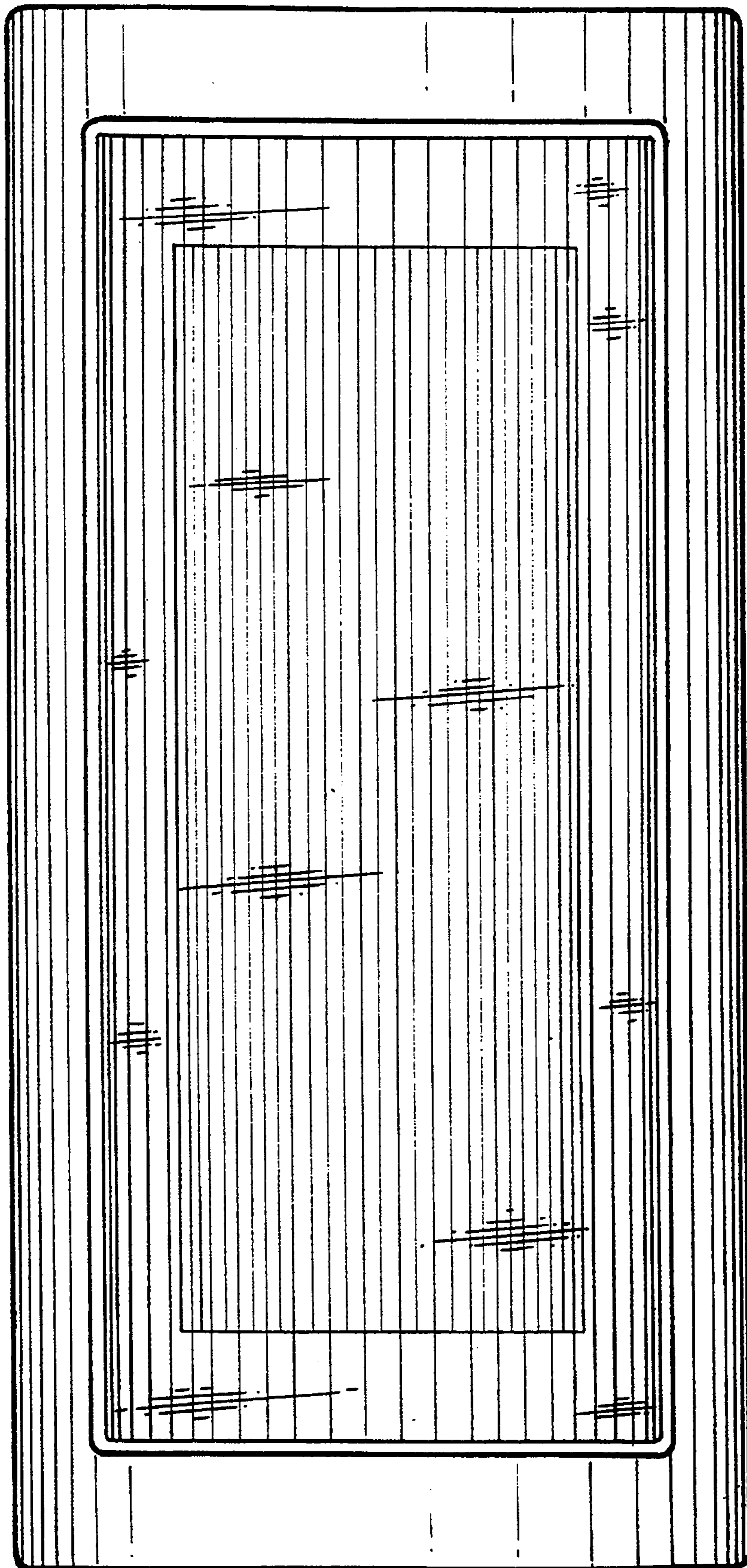


FIG. 3

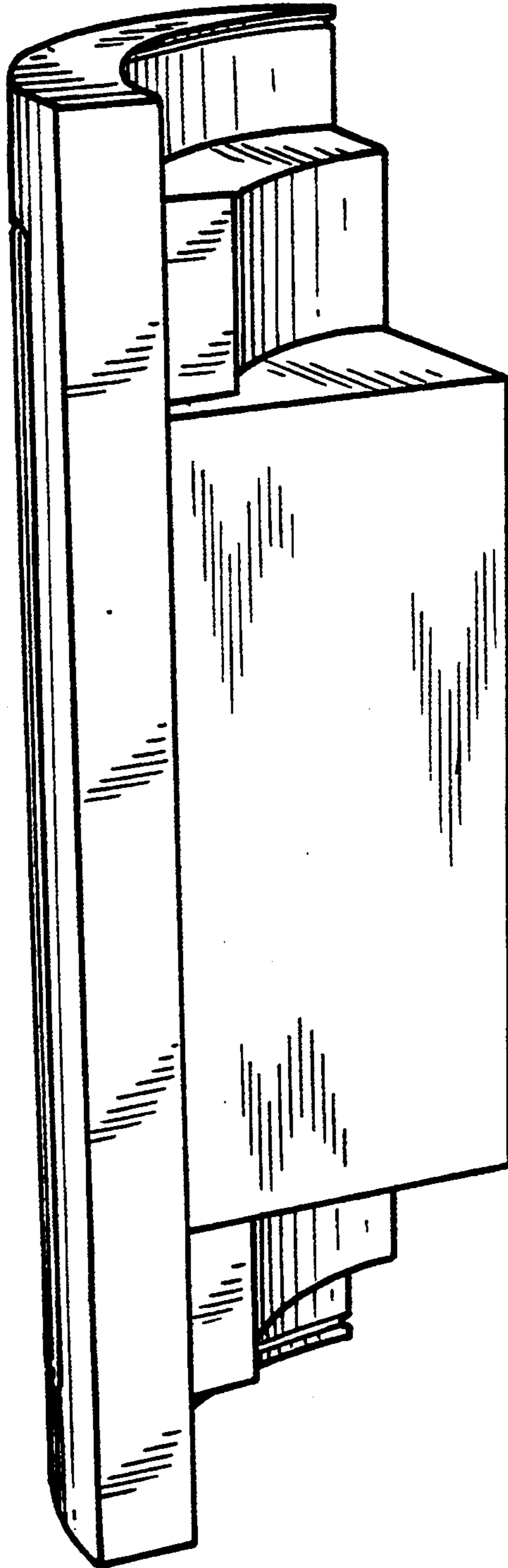


FIG. 4

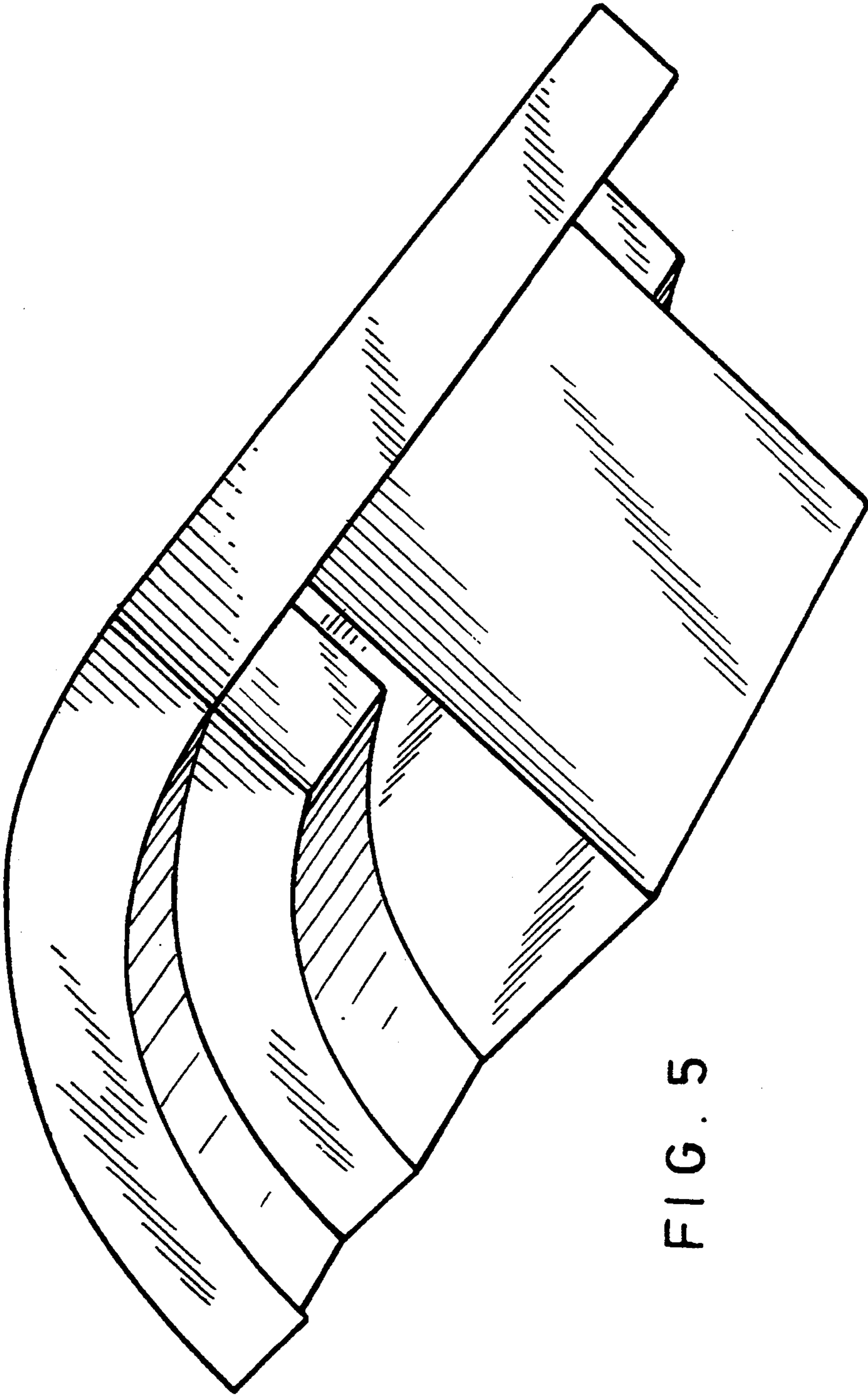


FIG. 5