



US00D353217S

United States Patent [19]

[11] Patent Number: **Des. 353,217**

Maglica

[45] Date of Patent: **** Dec. 6, 1994**

- [54] FLASHLIGHT
- [75] Inventor: **Anthony Maglica, Anaheim, Calif.**
- [73] Assignee: **Mag Instrument, Inc., Ontario, Calif.**
- [**] Term: **14 Years**
- [21] Appl. No.: **895,382**
- [22] Filed: **Jun. 5, 1992**
- [52] U.S. Cl. **D26/49**
- [58] Field of Search **362/157, 158, 183-200, 362/202, 205, 206, 208; D26/37-50**

- 4,888,670 12/1989 Sharrah 362/187 X
- 5,171,086 12/1992 Baloochi 362/205 X

Primary Examiner—Susan J. Lucas
Attorney, Agent, or Firm—Lyon & Lyon

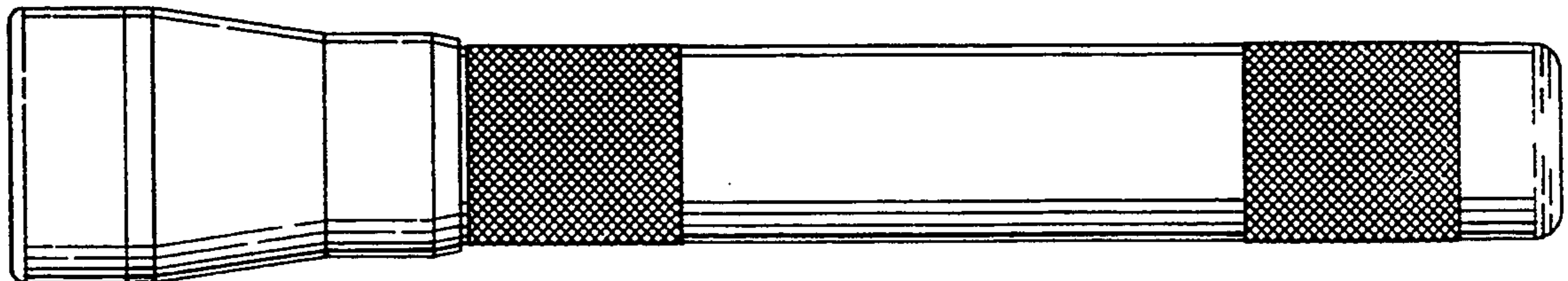
[57] CLAIM

The ornamental design for a flashlight, as shown and described.

DESCRIPTION

FIG. 1 is a front perspective view of the flashlight showing my new design;
 FIG. 2 is a rear perspective view thereof;
 FIG. 3 is a side elevational view thereof, the opposite side being identical in appearance;
 FIG. 4 is an end elevational view thereof; and,
 FIG. 5 is a front elevational view thereof.

- [56] **References Cited**
- U.S. PATENT DOCUMENTS**
- 3,890,498 6/1975 Toth, Sr. 362/191 X
- 4,570,208 2/1986 Sassmannshausen 362/205 X



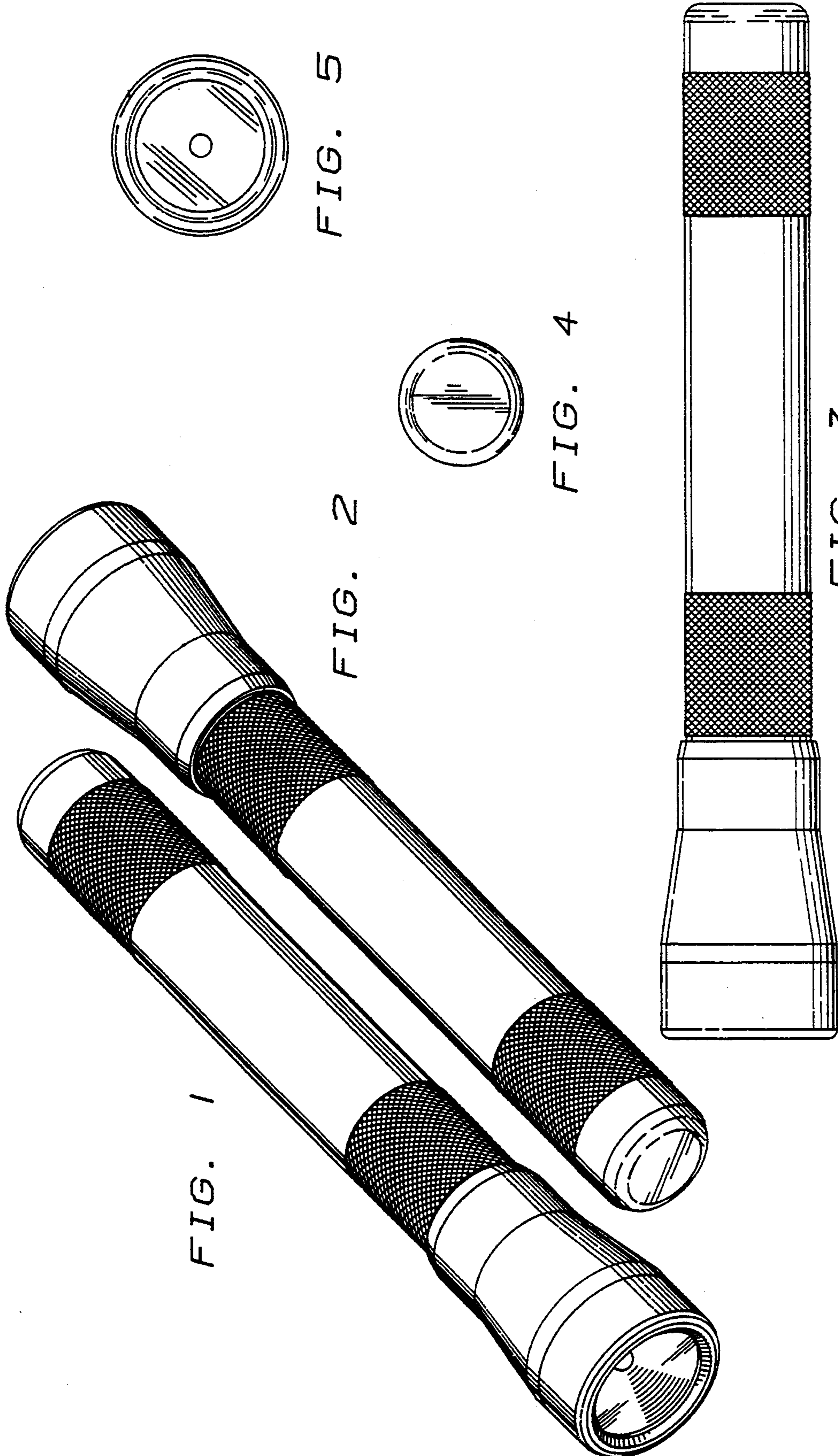


FIG. 1

FIG. 2

FIG. 4

FIG. 3

FIG. 5