



US00D353215S

# United States Patent [19]

[11] Patent Number: Des. 353,215

Koch, Jr.

[45] Date of Patent: \*\* Dec. 6, 1994

## [54] SHADE FOR A CANDLE HOLDER

[76] Inventor: William H. Koch, Jr., R.D. #1, Box 411, Newmanstown, Pa. 17073

[\*\*] Term: 14 Years

[21] Appl. No.: 15,259

[22] Filed: Nov. 12, 1993

[52] U.S. Cl. .... D26/23

[58] Field of Search ..... 362/351, 355; 431/289, 431/295; D26/10, 23, 118, 128, 130, 135, 94

### [56] References Cited

#### U.S. PATENT DOCUMENTS

- D. 68,231 9/1925 Beardsley ..... D26/135
- D. 97,612 11/1935 Pulver ..... D26/194

## FOREIGN PATENT DOCUMENTS

3618 2/1891 United Kingdom ..... 431/289

## OTHER PUBLICATIONS

Gifts & Decorative Access. p. 79 6-1986, item A shade.

Primary Examiner—Wallace R. Burke

Assistant Examiner—Robin V. Taylor

## [57] CLAIM

The ornamental design for a shade for a candle holder, as shown and described.

## DESCRIPTION

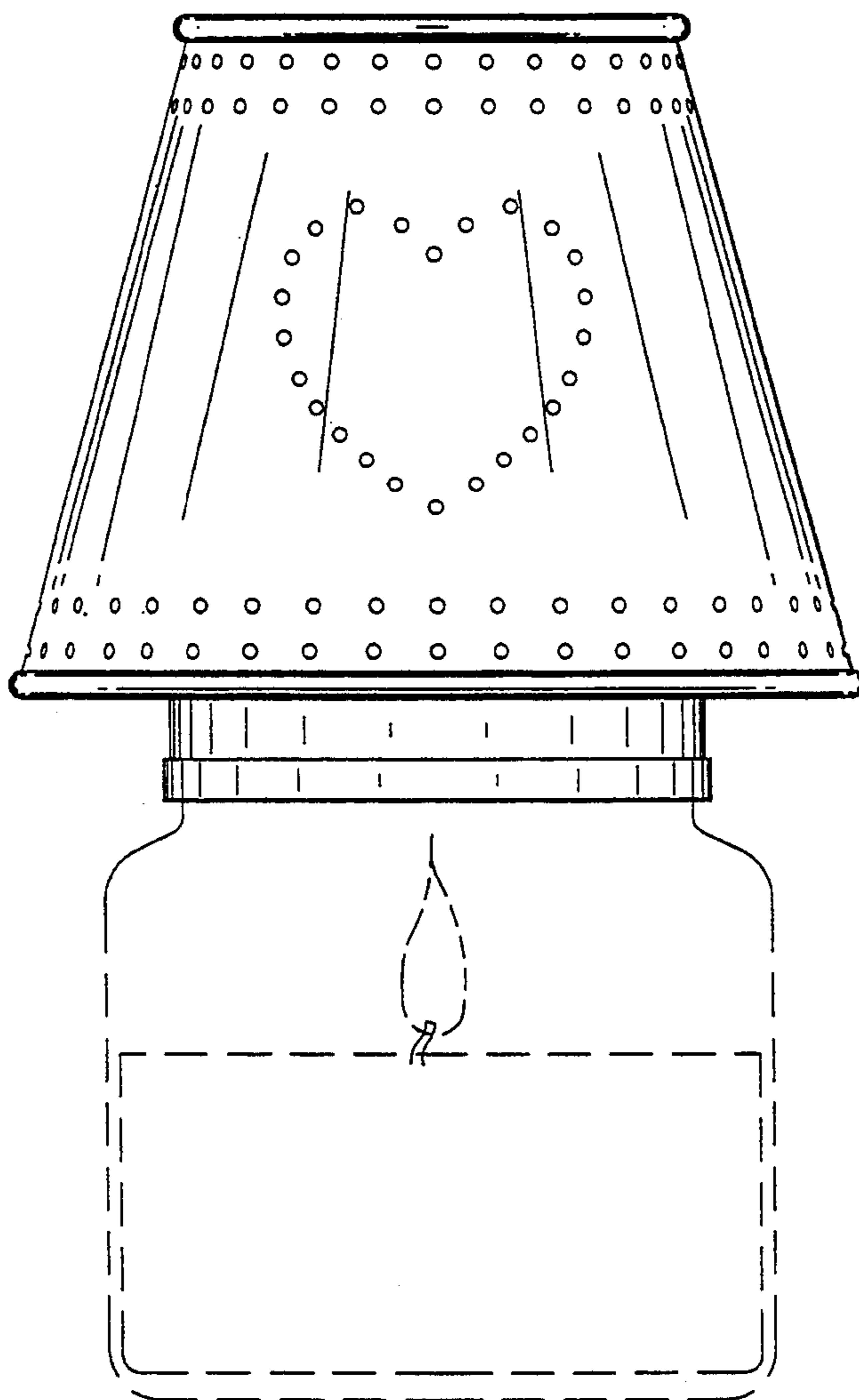
FIG. 1 is a front view of the shade with a candle holder shown in broken lines;

FIG. 2 is a rear view of the shade;

FIG. 3 is a top view of the shade; and,

FIG. 4 is a bottom view of the shade.

The broken line showing in FIG. 1 is for illustrative purposes only and forms no part of the claimed design.



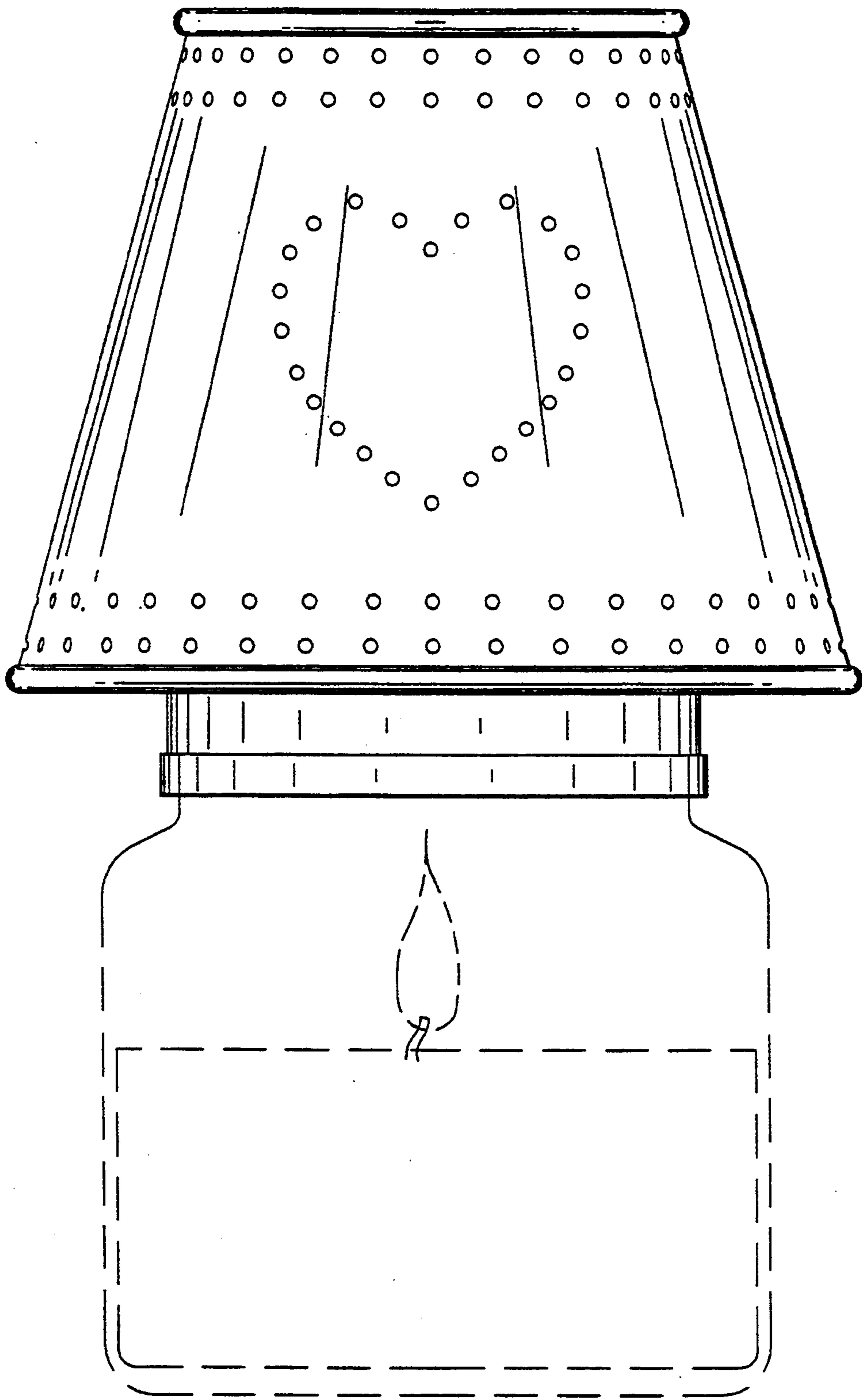


FIG. 1

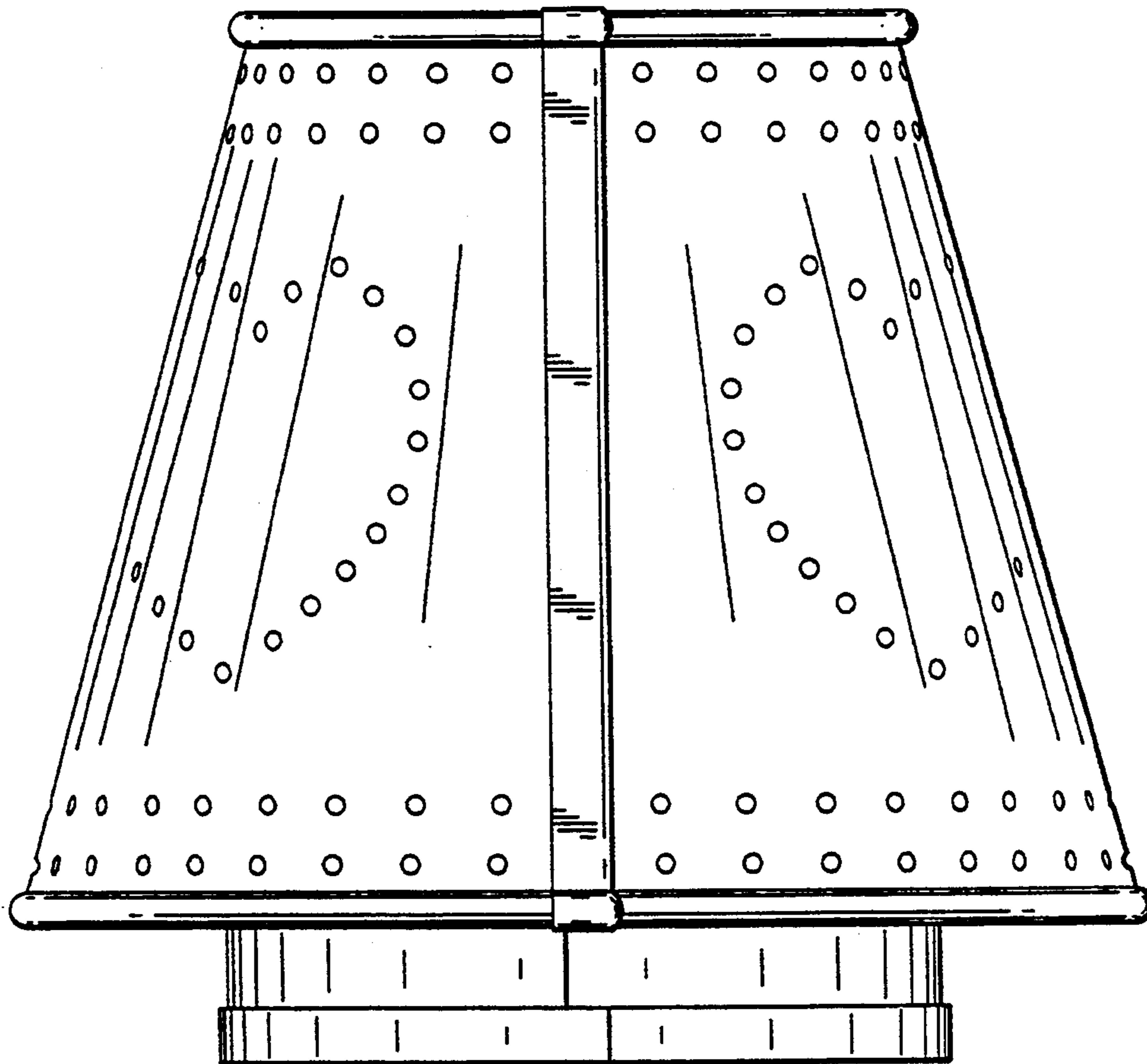


FIG. 2

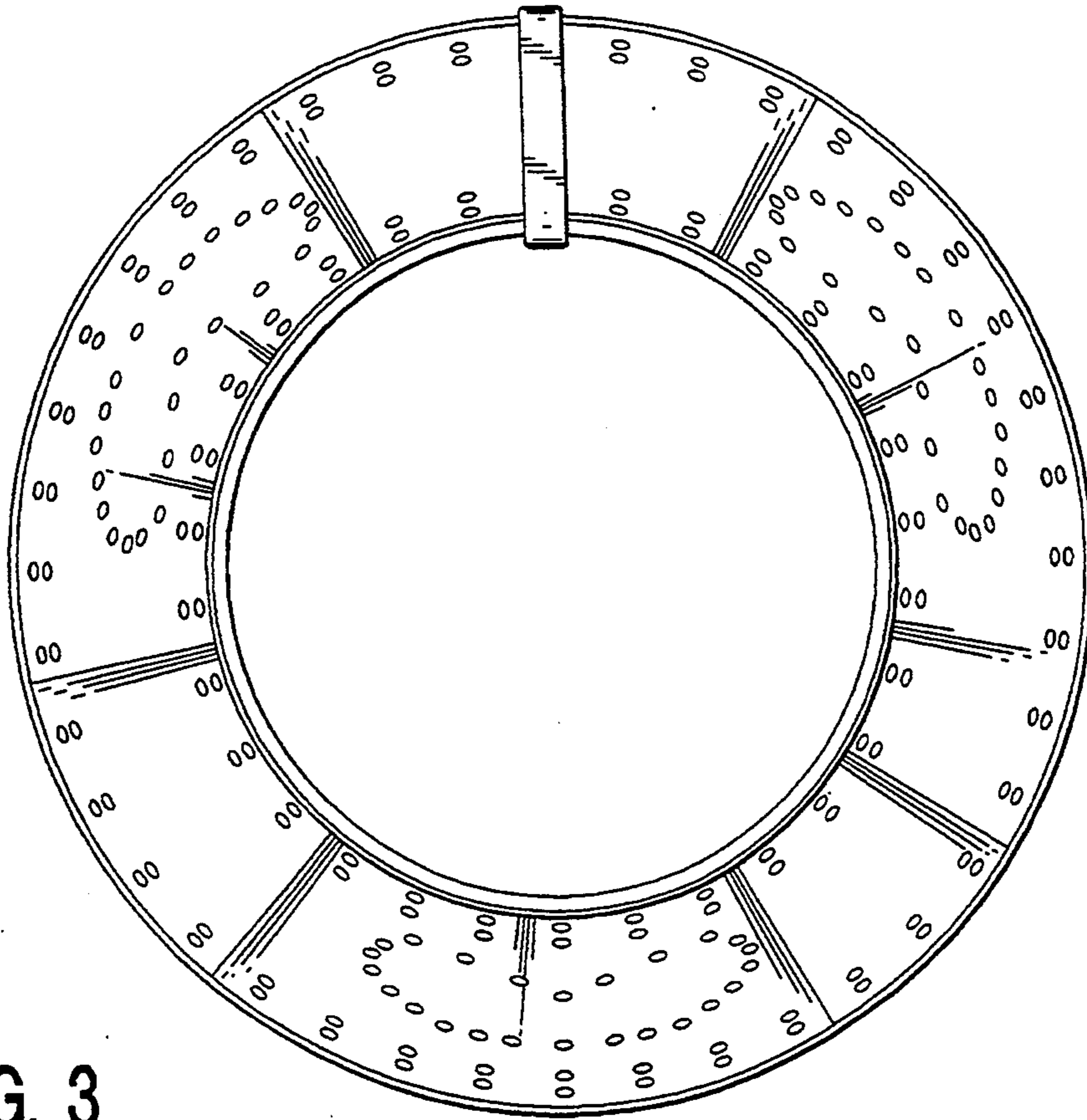


FIG. 3

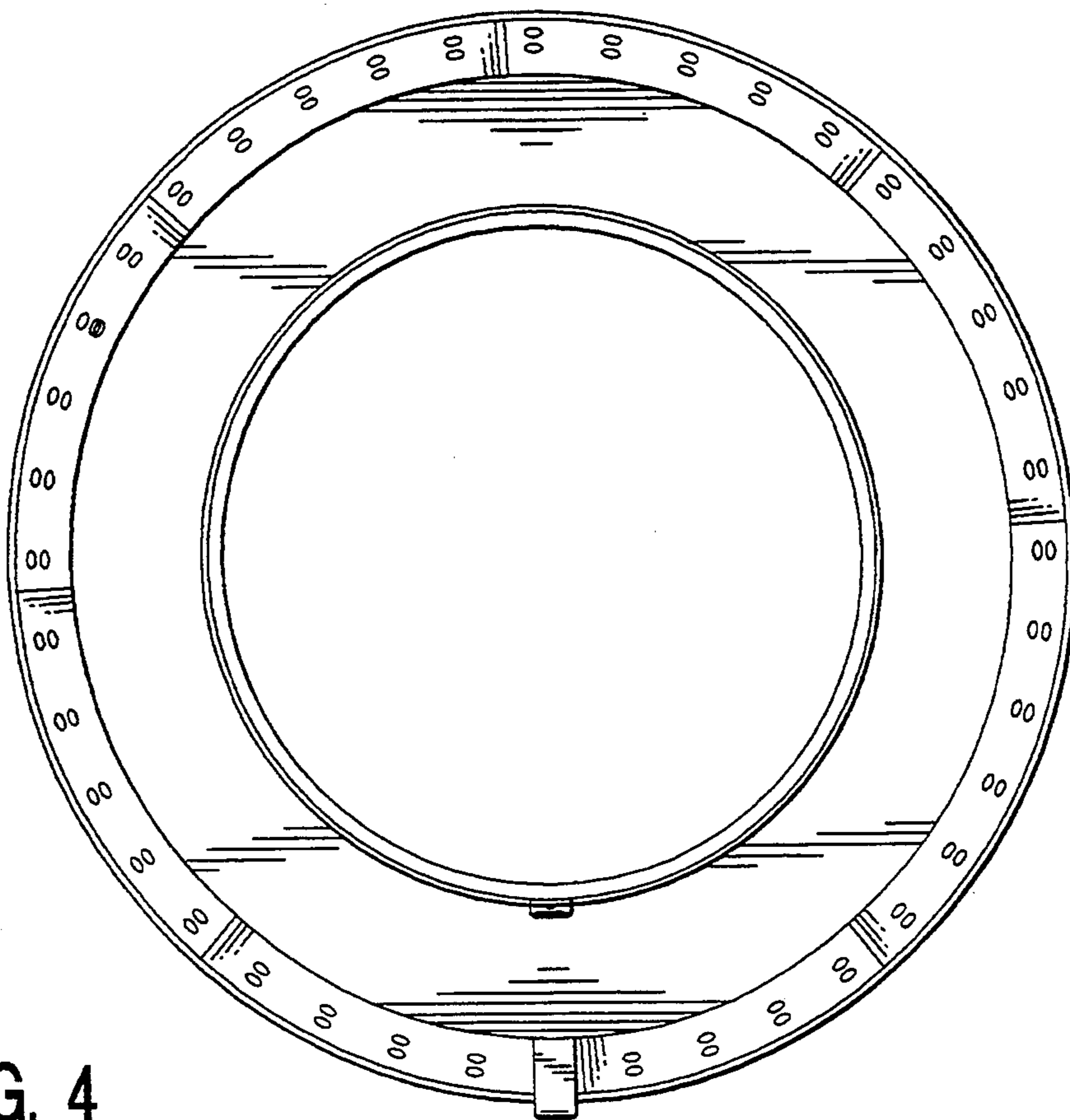


FIG. 4