



US00D353214S

United States Patent [19]

[11] Patent Number: **Des. 353,214**

DeGroot

[45] Date of Patent: **** Dec. 6, 1994**

[54] **LAWN BARRIER**

[76] Inventor: **Tom D. DeGroot**, 1608 Jackie Dr.,
Missoula, Mont. 59801

[**] Term: **14 Years**

[21] Appl. No.: **15,955**

[22] Filed: **Dec. 3, 1993**

[52] U.S. Cl. **D25/164**

[58] Field of Search 256/1, 32, 12.5, 19,
256/20, 22, 24, 31, 59, 79, 66; 47/33; D25/164,
38, 39, 42, 43-45, 119

[56] **References Cited**

U.S. PATENT DOCUMENTS

2,015,433 9/1935 Meyers D25/164
2,695,159 11/1954 Bridwell 256/19

3,945,747 3/1976 Cruz 256/32
4,903,947 2/1990 Groves 256/1
4,907,783 3/1990 Fisk et al. 256/1
5,039,065 8/1991 Denton 256/1

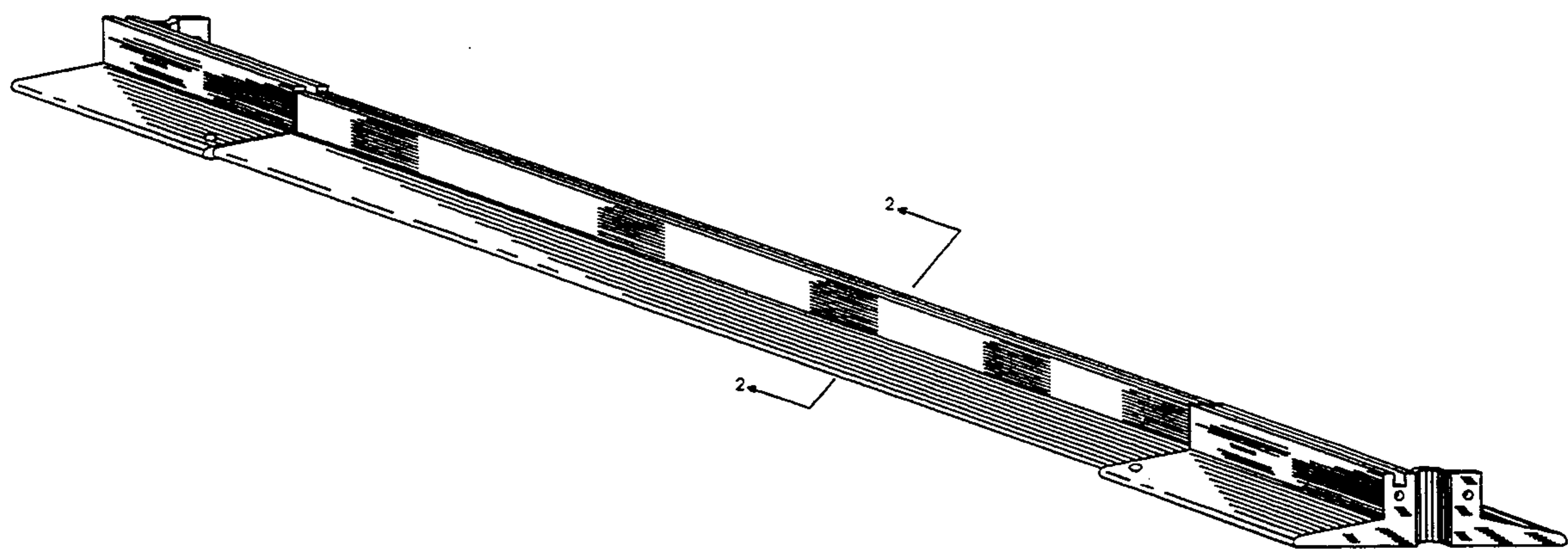
Primary Examiner—Doris Clark
Attorney, Agent, or Firm—Kevin A. Sembrat

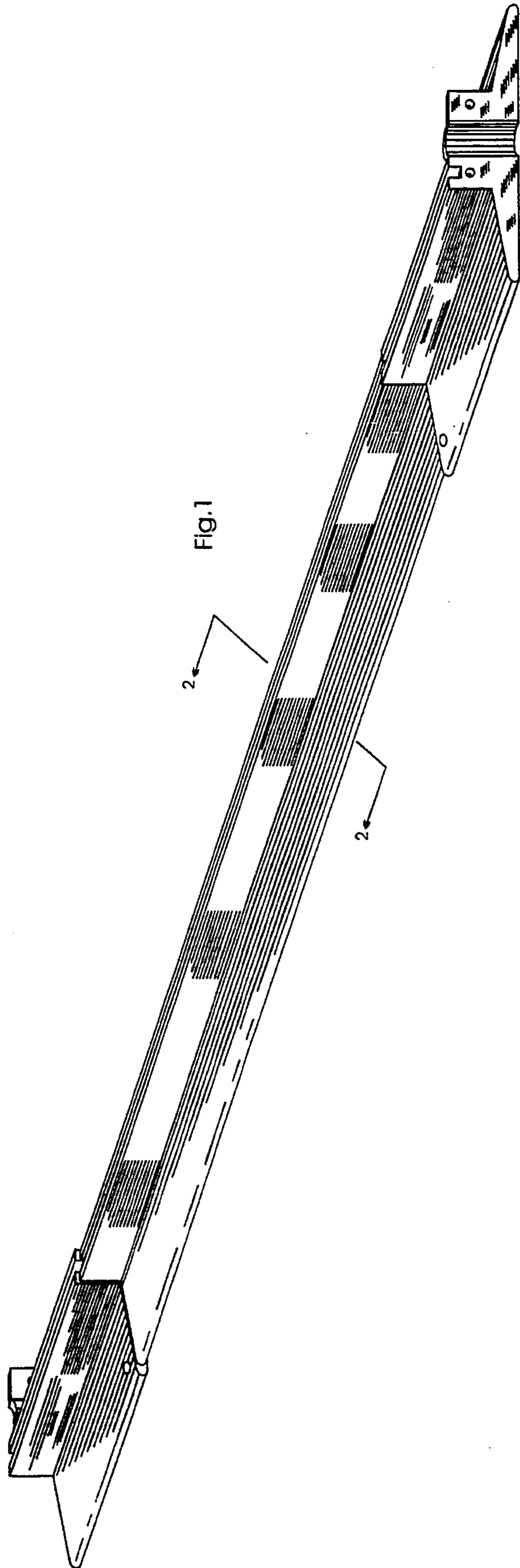
[57] **CLAIM**

The ornamental design for a lawn barrier, as shown and described.

DESCRIPTION

FIG. 1 is a perspective view of the lawn barrier showing my new design;
FIG. 2 is an enlarged partial cross-sectional view taken along line 2—2 of FIG. 1;
FIG. 3 is a top plan view; and,
FIG. 4 is a left side elevational view.





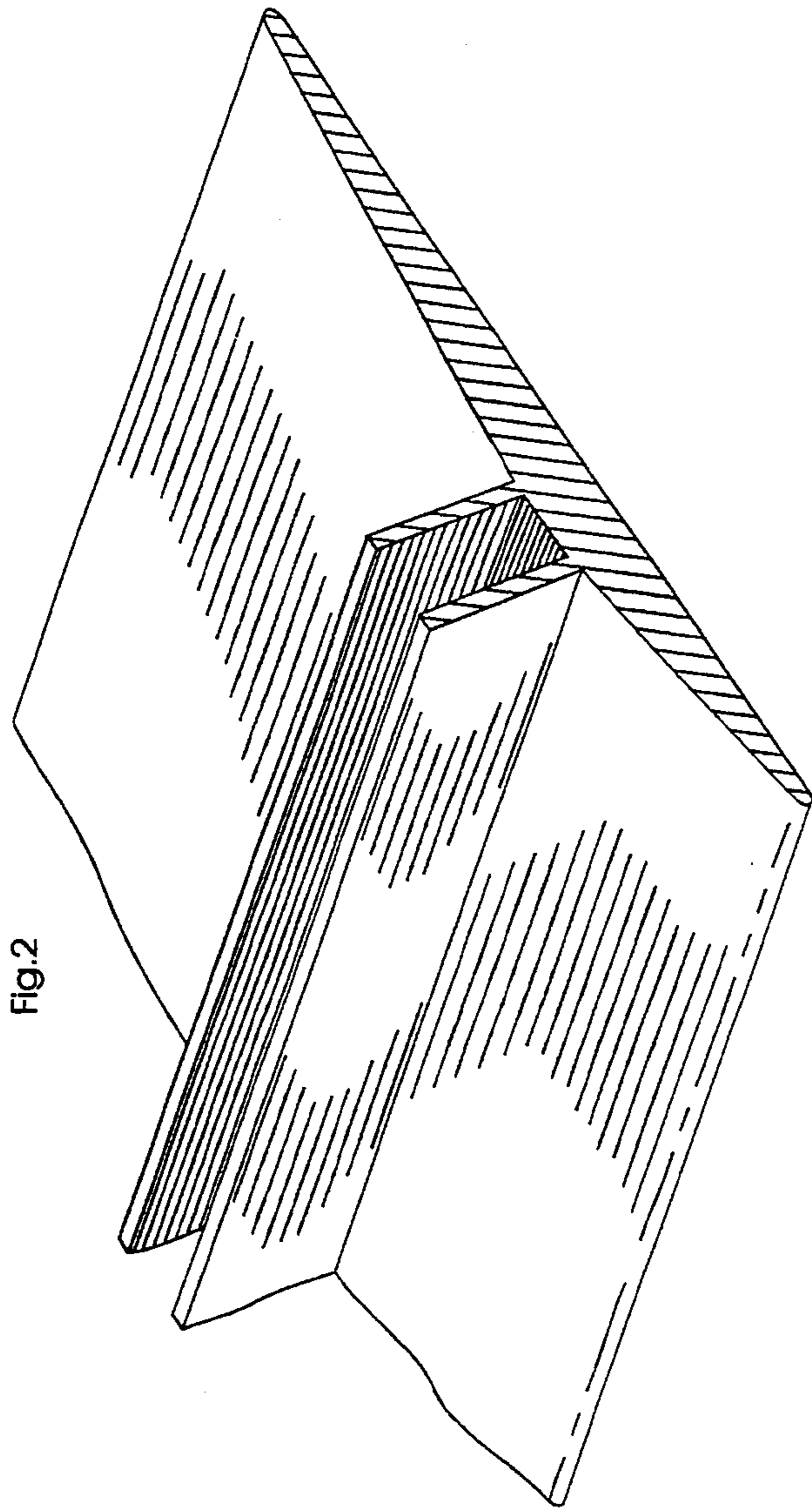


Fig. 2

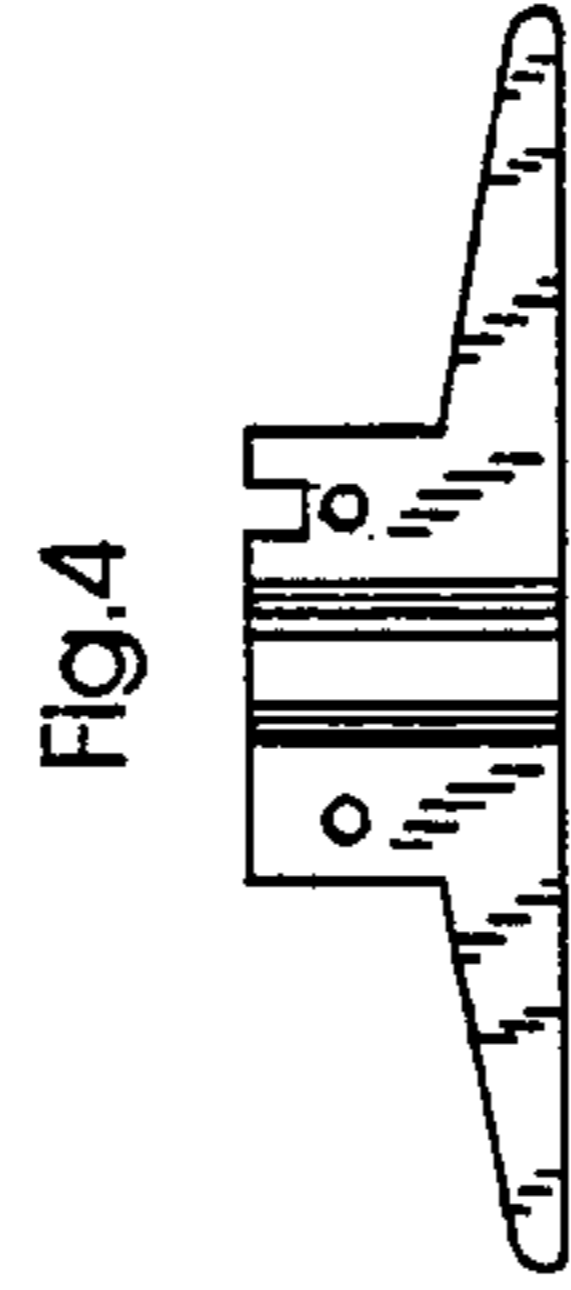


FIG. 4

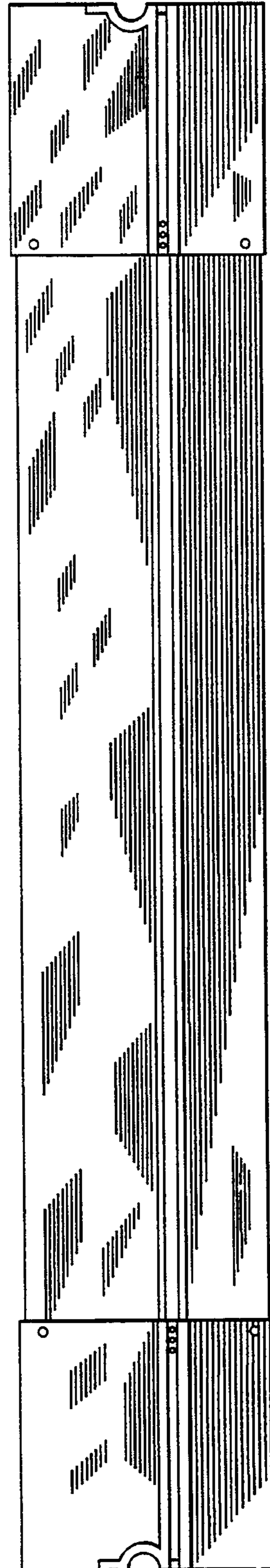


FIG. 3