



US00D353213S

United States Patent [19]

[11] Patent Number: Des. 353,213

Reum

[45] Date of Patent: ** Dec. 6, 1994

[54] LANDSCAPE EDGING

DESCRIPTION

[75] Inventor: Donald J. Reum, Bonita Springs, Fla.

FIG. 1 is a perspective view of the front, top and side of the landscape edging;

[73] Assignee: Avon Plastics, Inc., Albany, Minn.

FIG. 2 is a side elevation of the landscape edging;

[**] Term: 14 Years

FIG. 3 is a front elevation of the landscape edging;

[21] Appl. No.: 3,438

FIG. 4 is a top plan view of the landscape edging;

[22] Filed: Jan. 5, 1993

FIG. 5 is a bottom plan view of the landscape edging;

[52] U.S. Cl. D25/164

FIG. 6 is a perspective view of the front, top and side of a second embodiment of the landscape edging;

[58] Field of Search 47/85, 23, 33; 52/102;
D25/164, 119

FIG. 7 is a side elevation of the second embodiment;

FIG. 8 is a front elevation of the second embodiment;

FIG. 9 is a top plan view of the second embodiment;

FIG. 10 is a bottom plan view of the second embodiment;

[56] References Cited

U.S. PATENT DOCUMENTS

D. 339,199	9/1993	Rynberk	D25/164
4,761,923	8/1988	Reum et al.	52/102
4,984,689	1/1991	Emadfarb et al.	47/33
5,067,273	11/1991	Richwine	47/33

FIG. 11 is a perspective view of the front, top and side of a third embodiment of the landscape edging;

FIG. 12 is a side elevation of the third embodiment;

FIG. 13 is a front elevation of the third embodiment;

FIG. 14 is a top plan view of the third embodiment;

FIG. 15 is a bottom plan view of the third embodiment;

Primary Examiner—A. Hugo Word

Assistant Examiner—Doris Clark

Attorney, Agent, or Firm—Merchant, Gould, Smith, Edell, Welter & Schmidt

FIG. 16 is a perspective view of the front, top and side of a fourth embodiment of the landscape edging;

FIG. 17 is a side elevation of the fourth embodiment;

FIG. 18 is a front elevation of the fourth embodiment;

FIG. 19 is a top plan view of the fourth embodiment;

and,

FIG. 20 is a bottom plan view of the fourth embodiment.

[57] CLAIM

The ornamental design for a landscape edging, as shown and described.

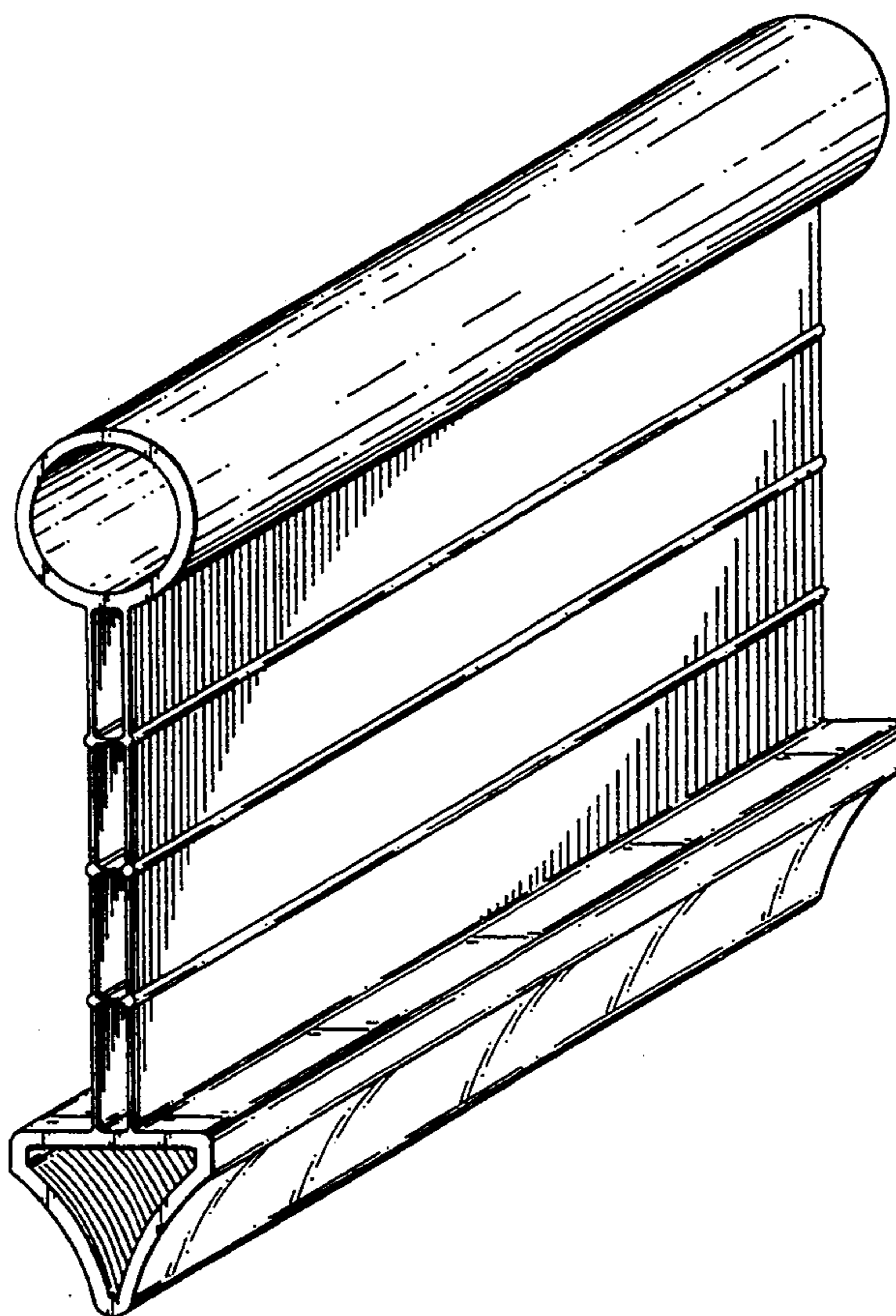


FIG. 1

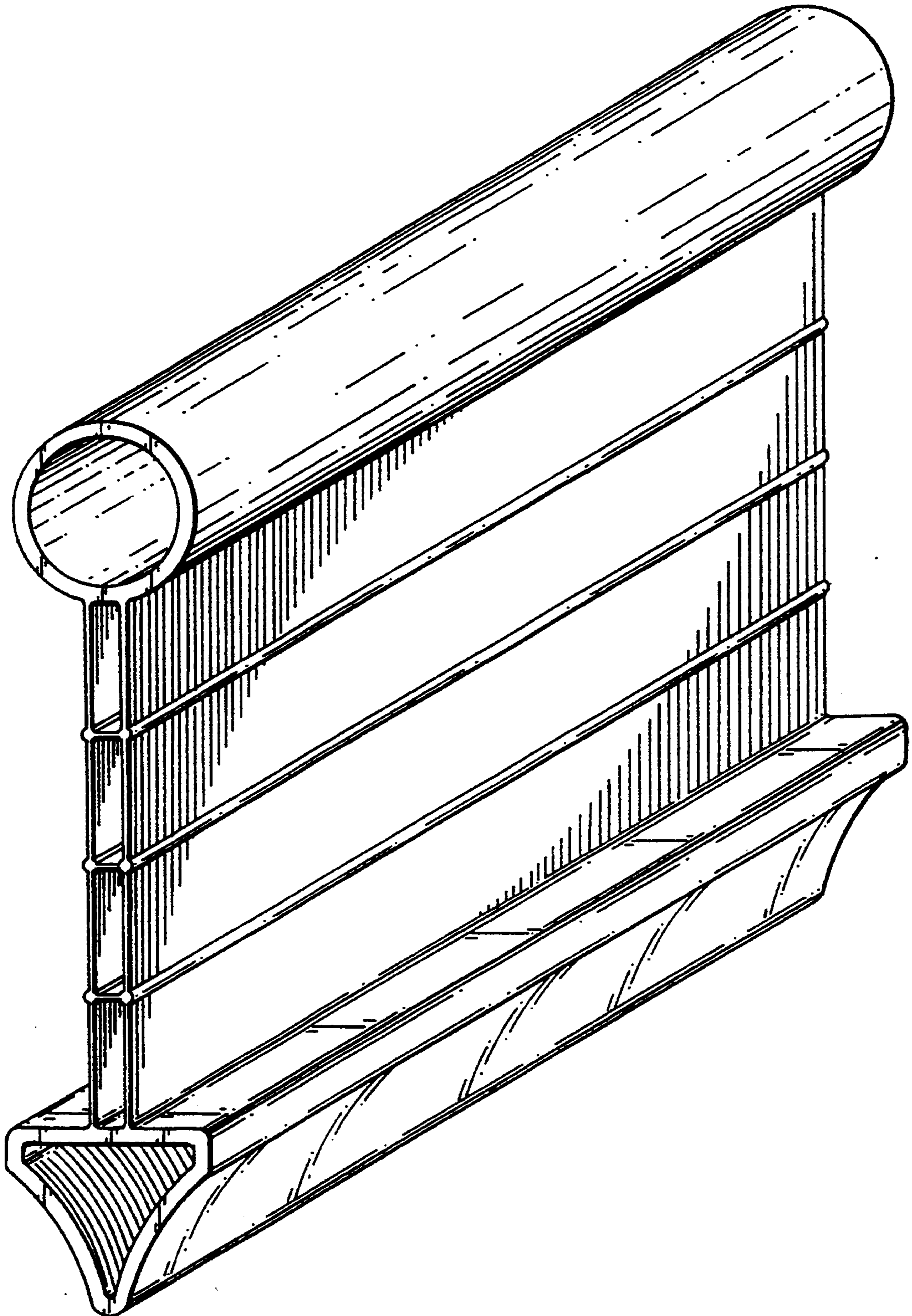


FIG. 2

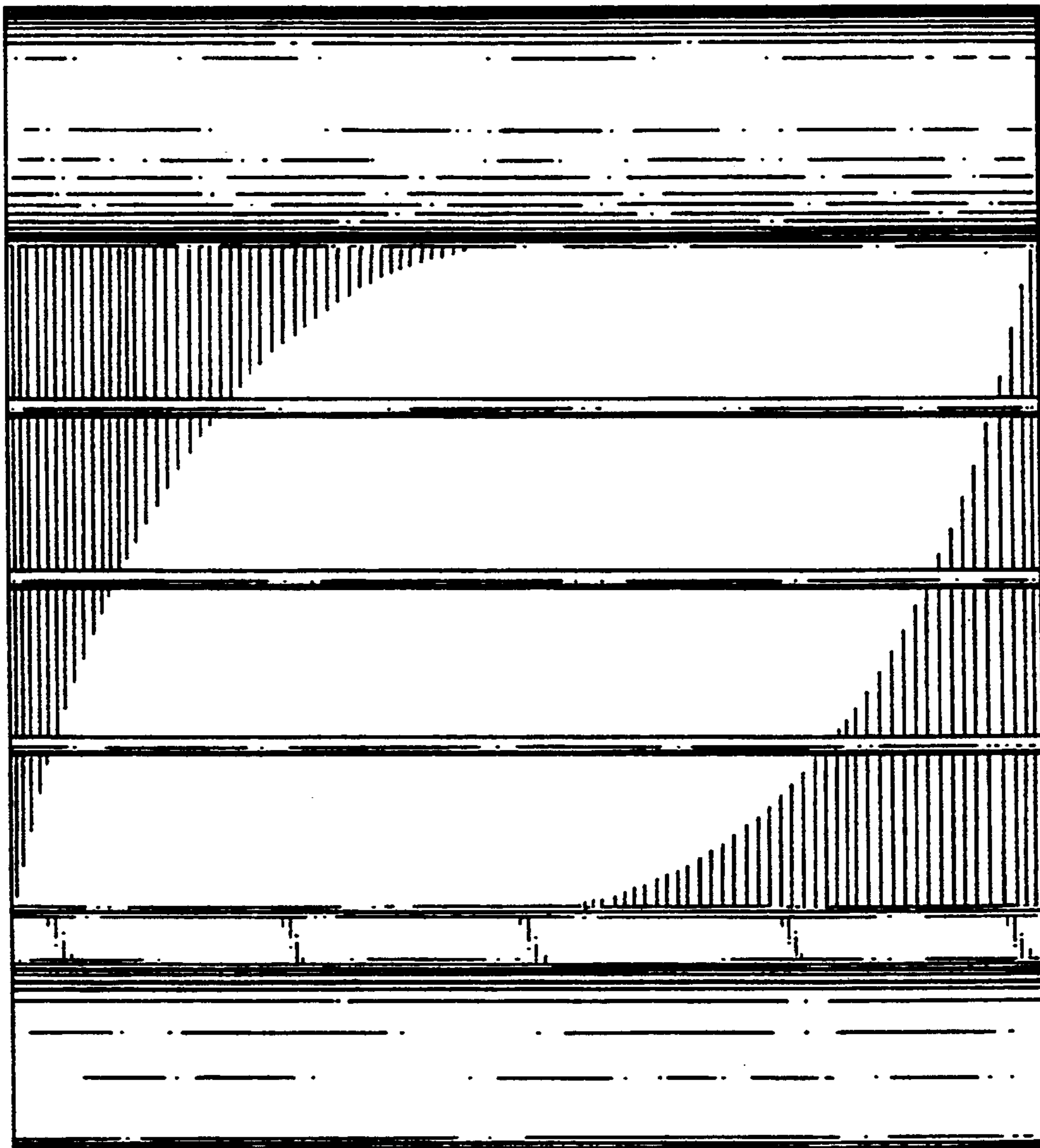


FIG. 5

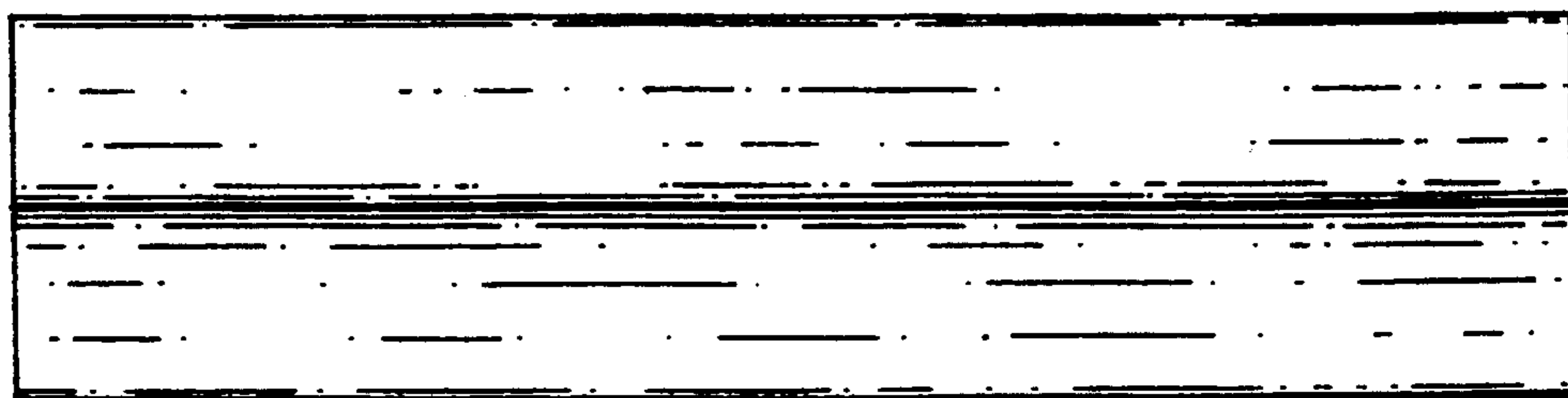


FIG. 3

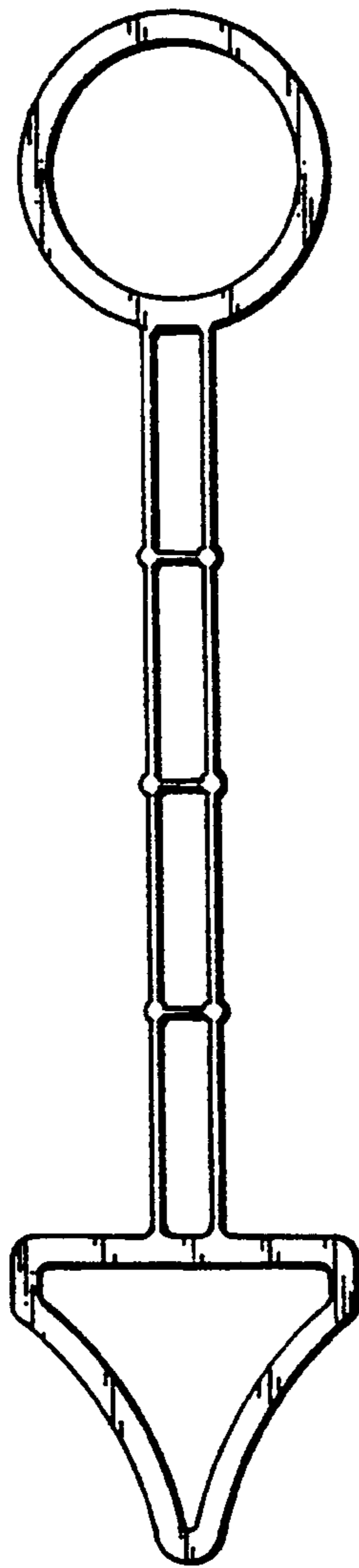


FIG. 4

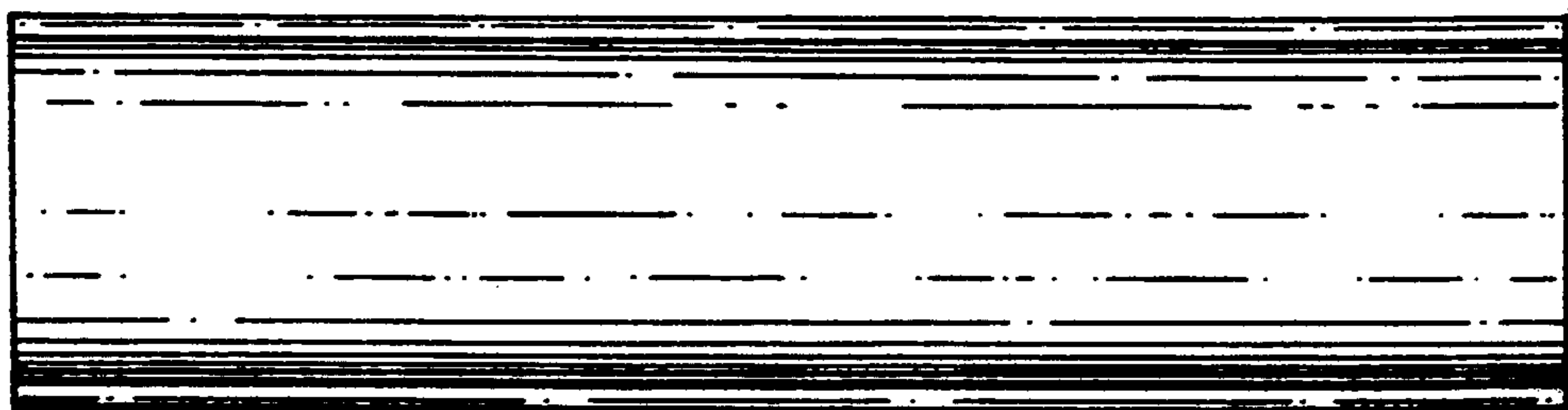


FIG. 6

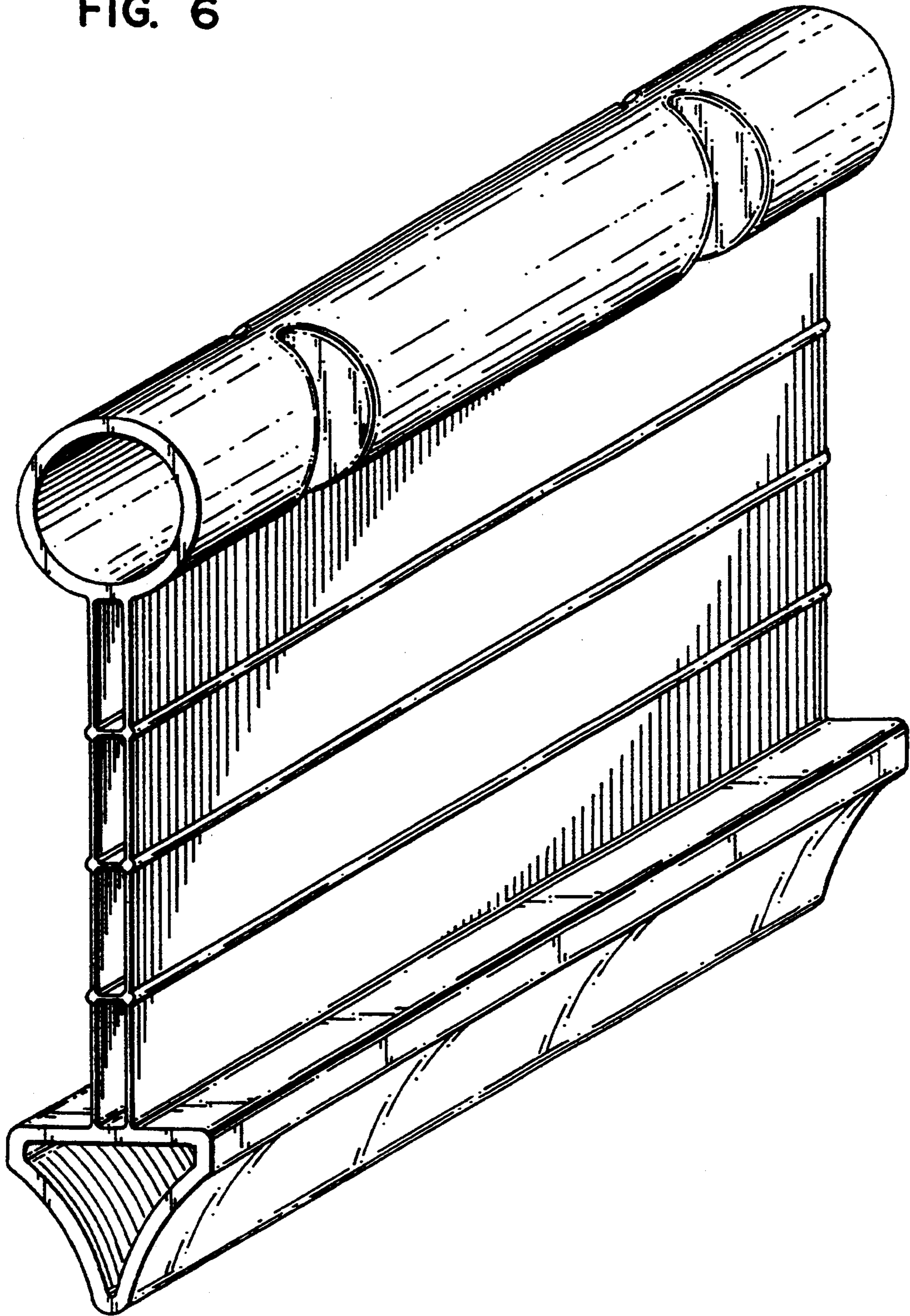


FIG. 7

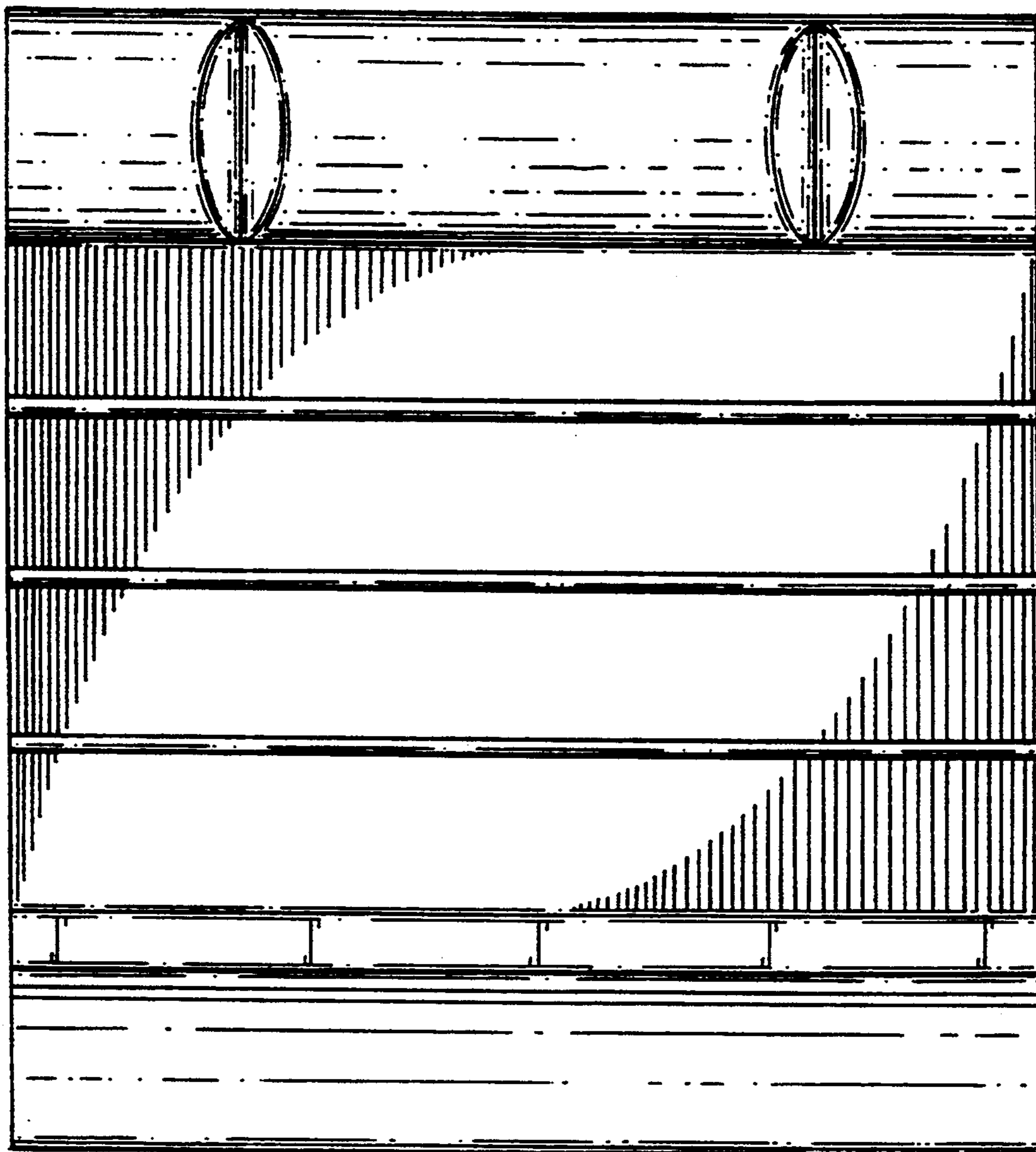


FIG. 10

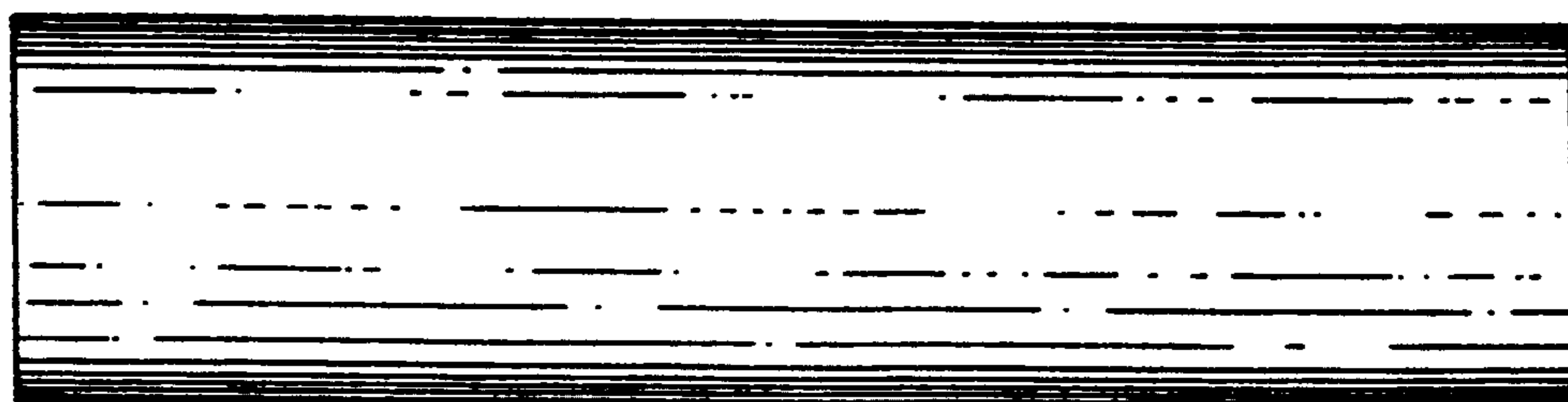


FIG. 8

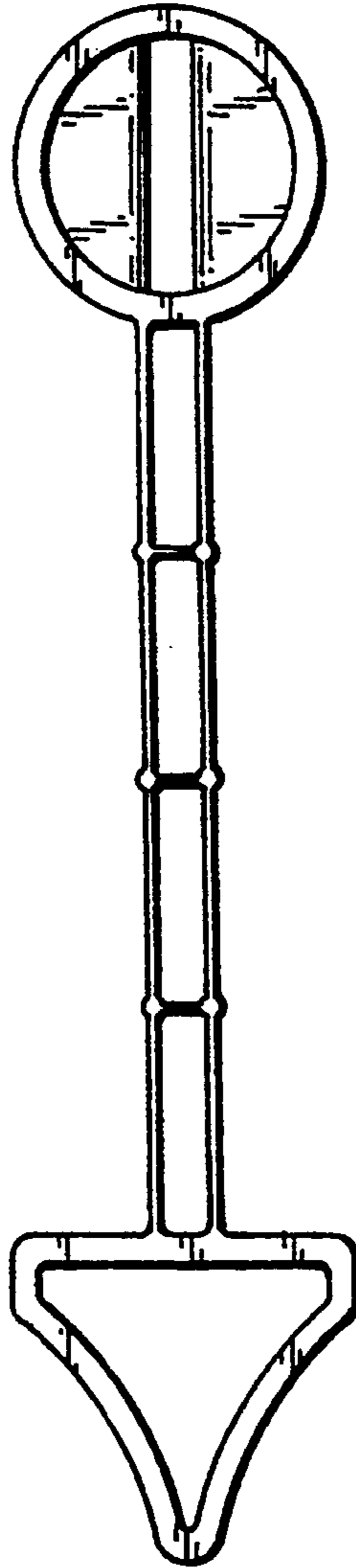


FIG. 9

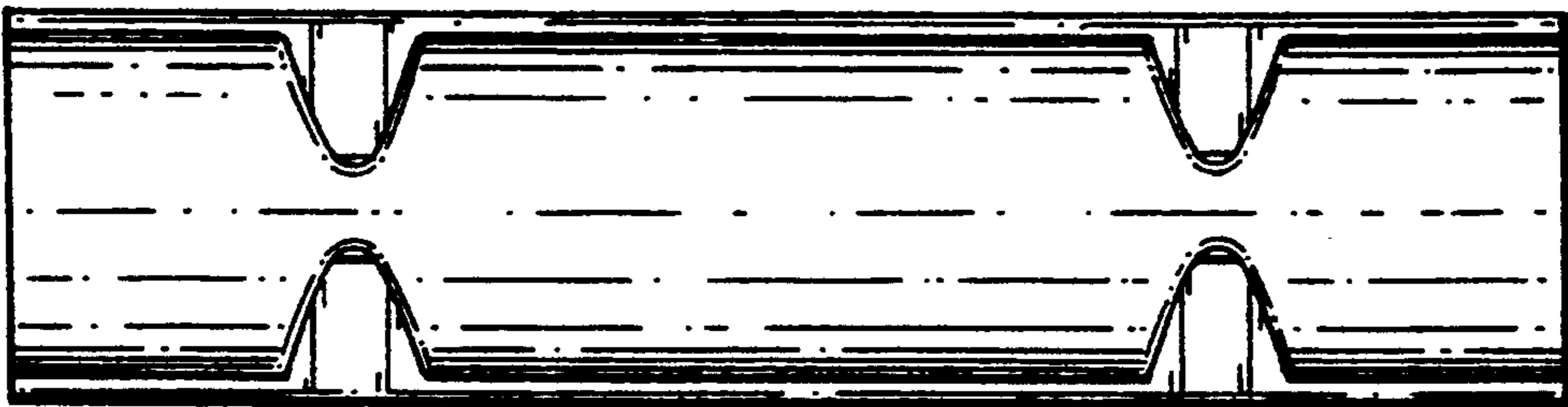


FIG. II

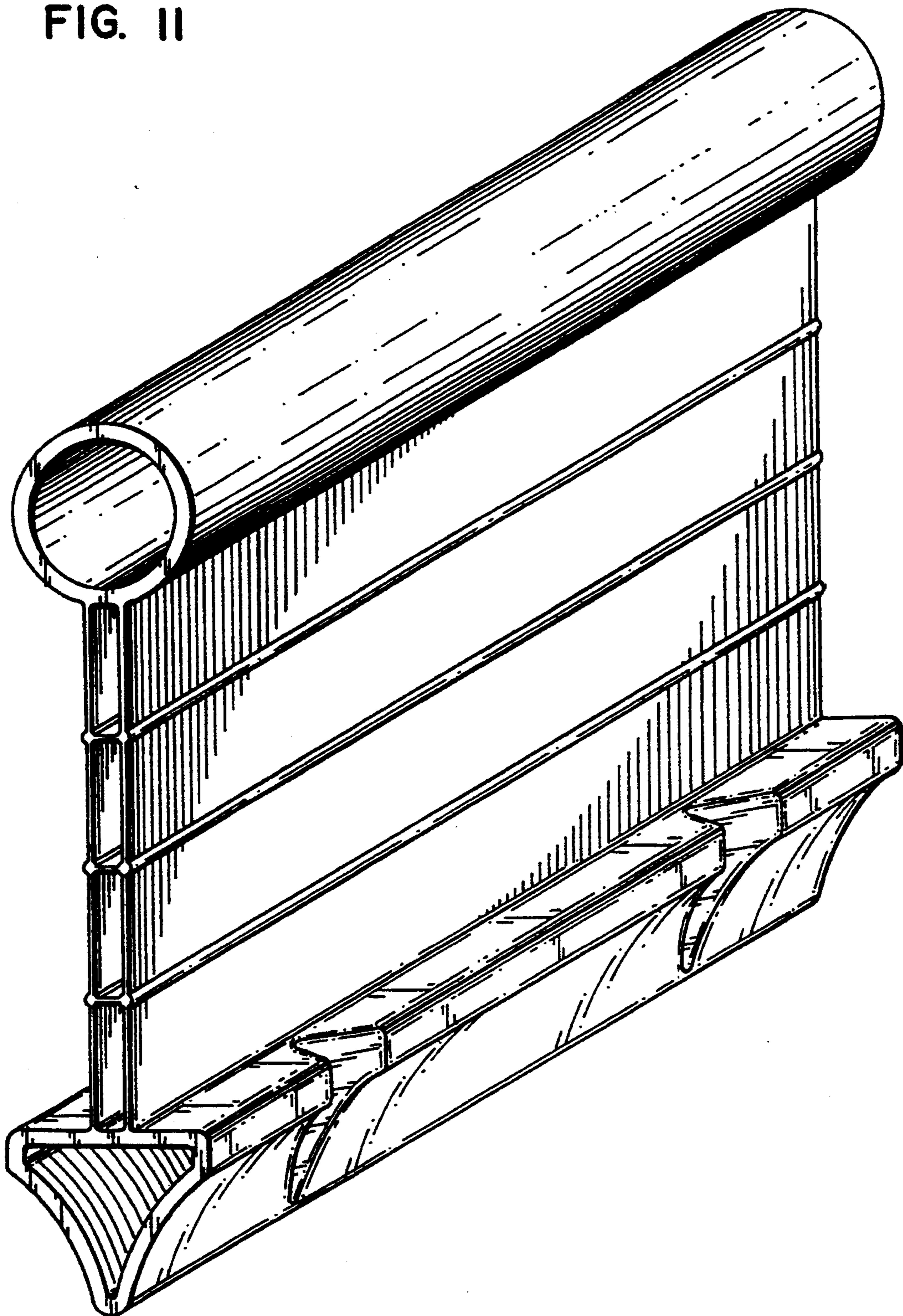


FIG. 12

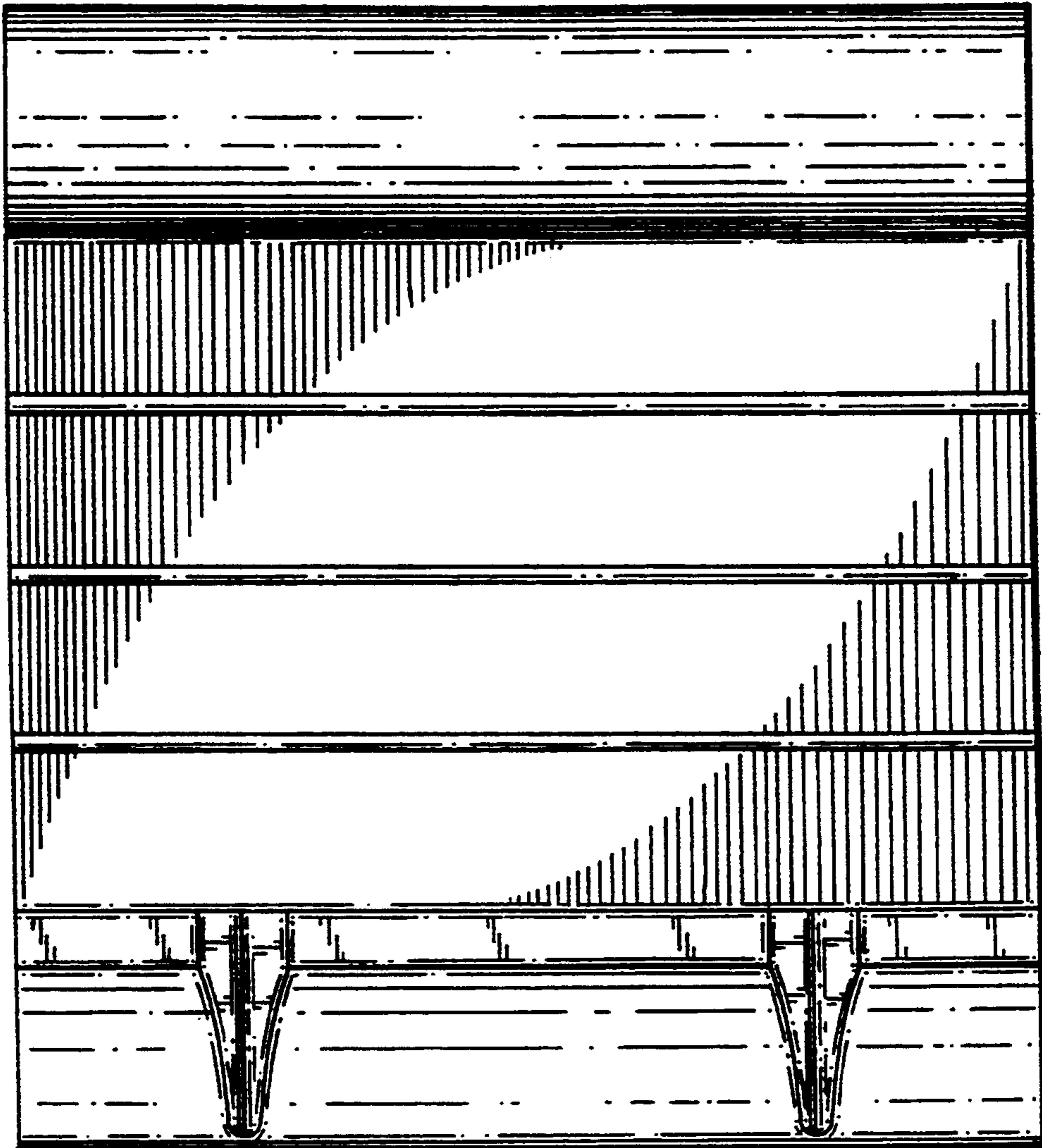


FIG. 15

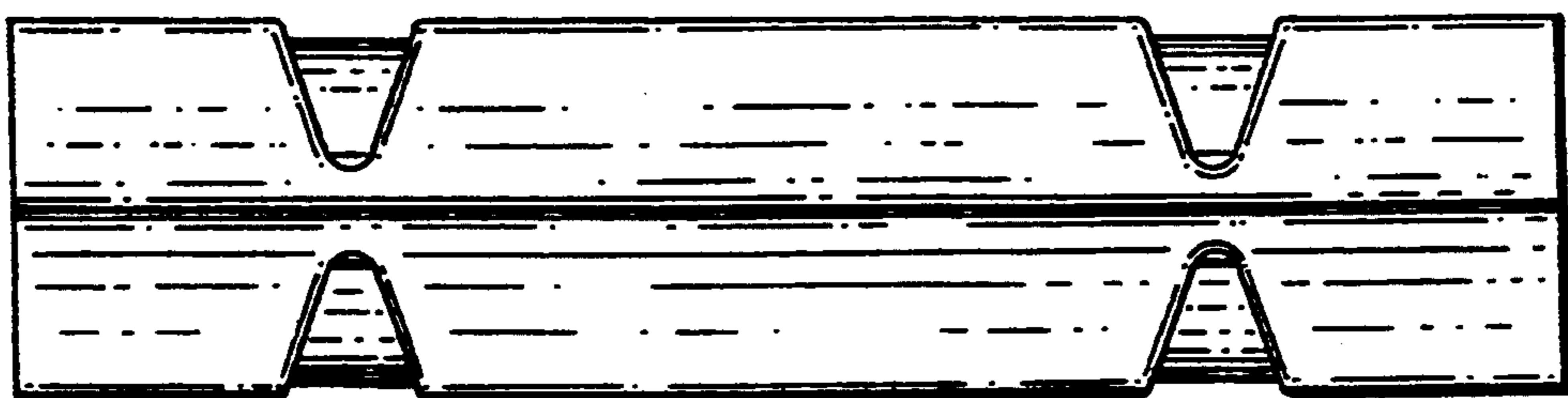


FIG. 13

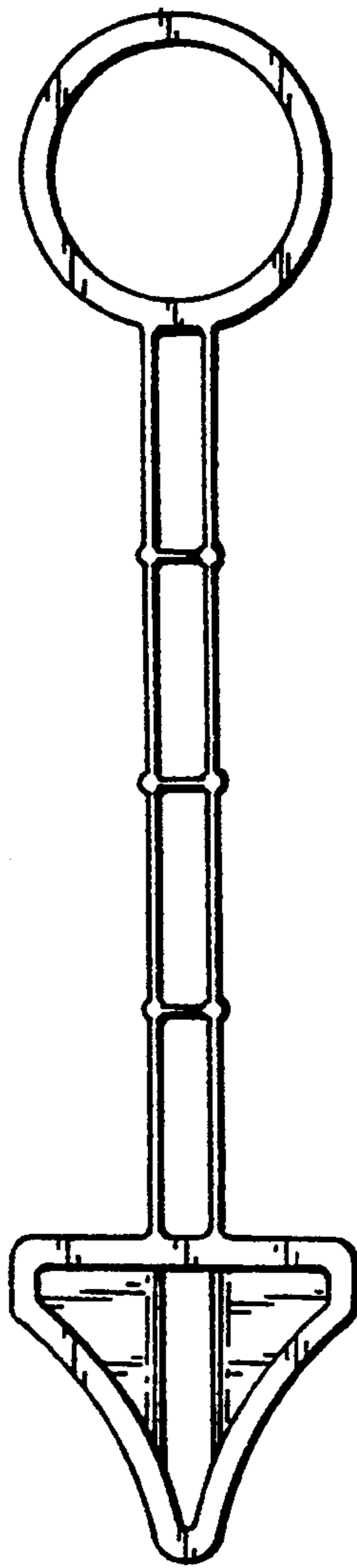


FIG. 14

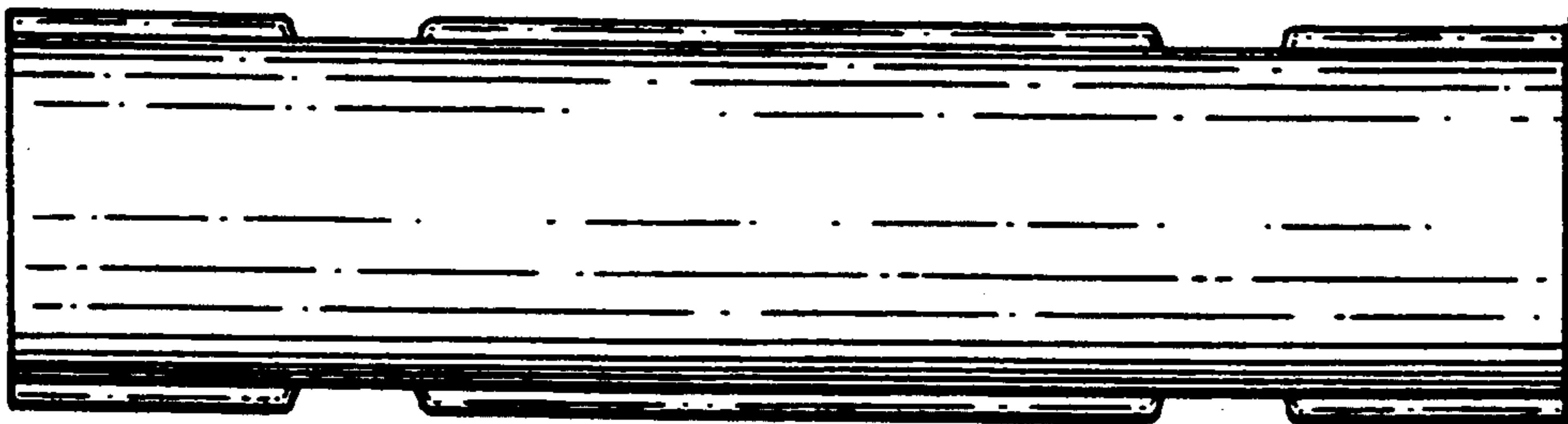


FIG. 16

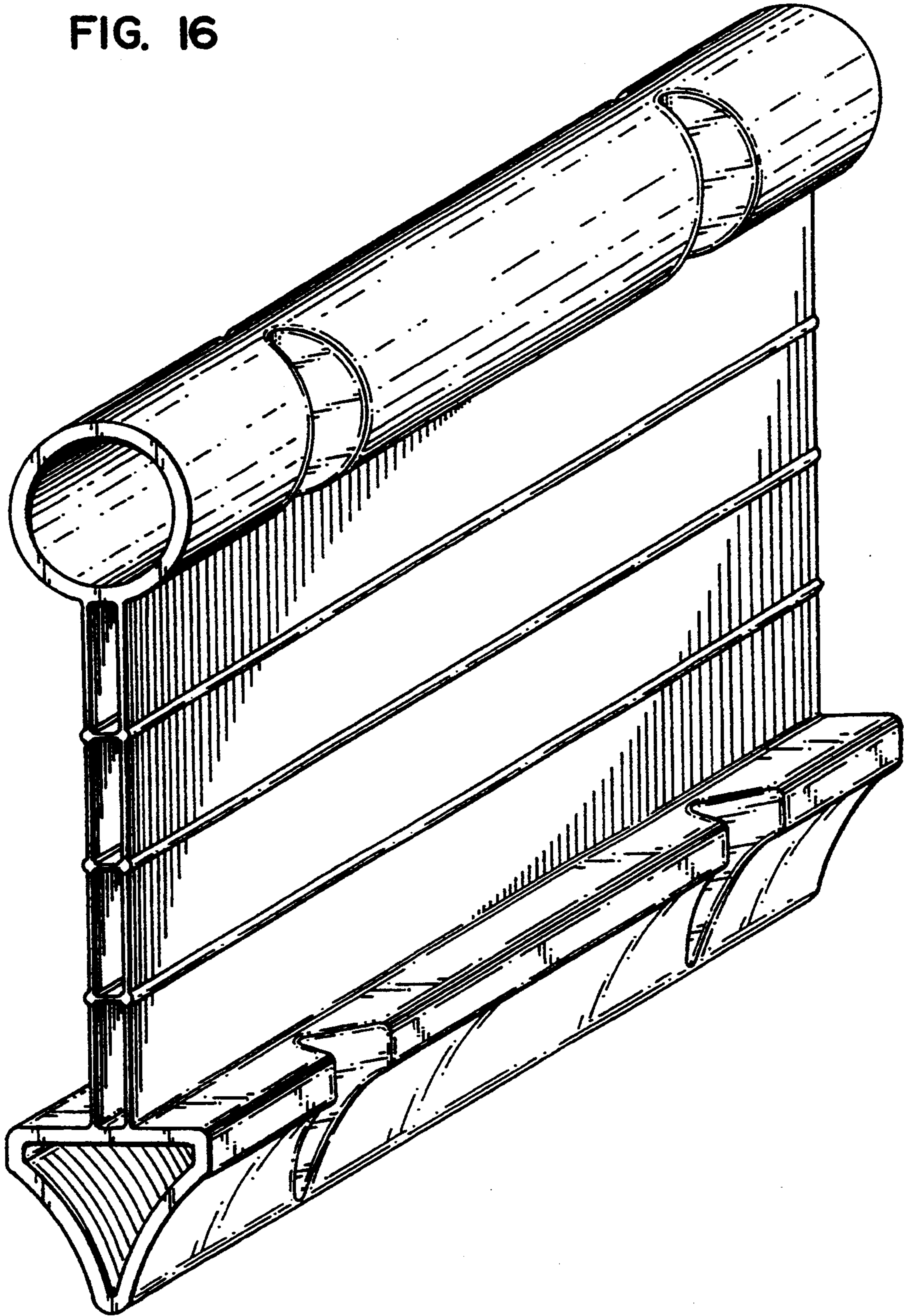


FIG. 18

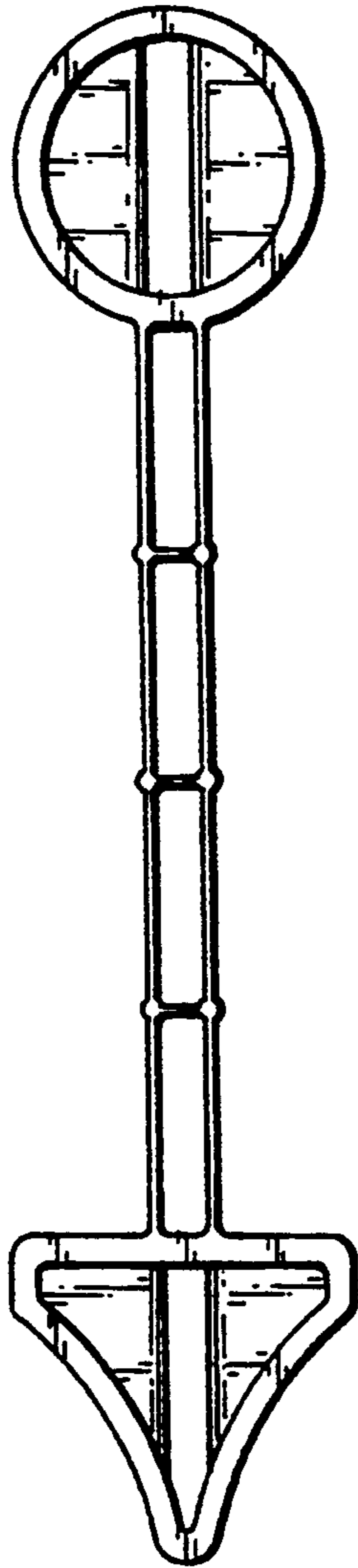


FIG. 19

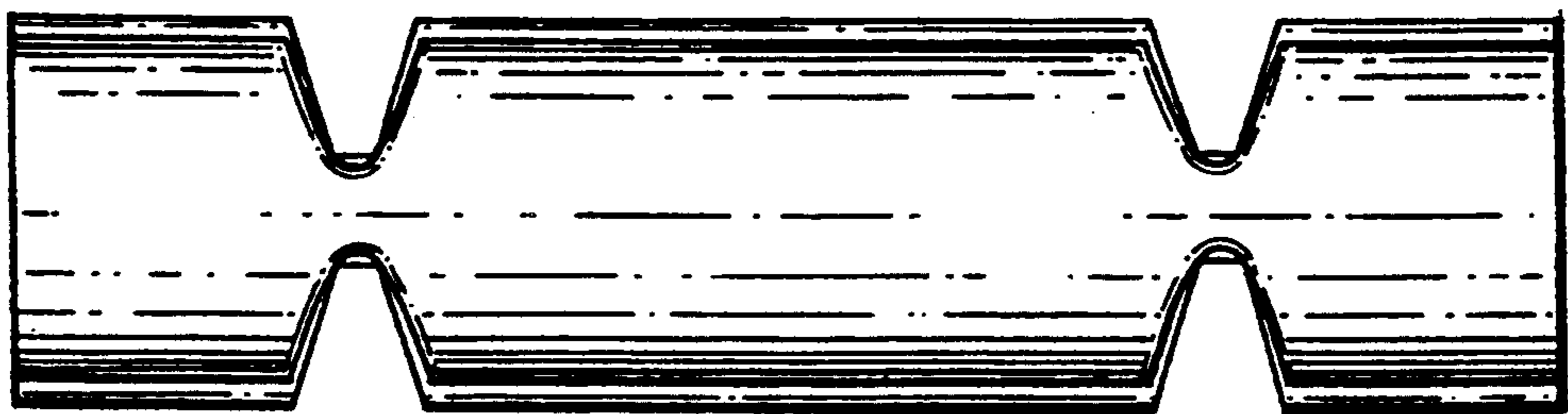


FIG. 17

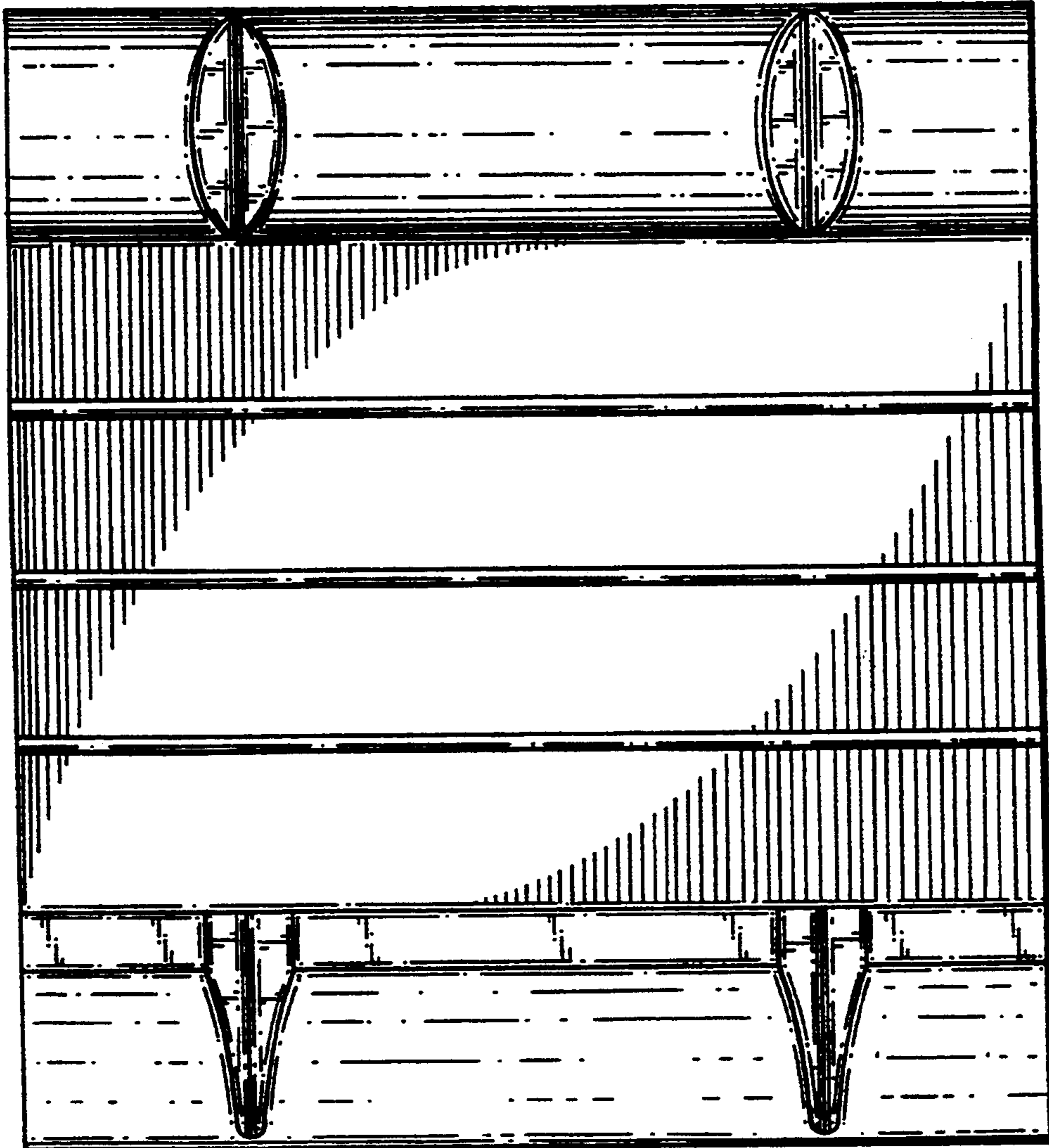


FIG. 20

