



US00D353212S

# United States Patent [19]

[11] Patent Number: **Des. 353,212**

**Schrader**

[45] Date of Patent: **\*\* Dec. 6, 1994**

[54] WINDOW COMPONENT EXTRUSION

[56] References Cited

[75] Inventor: **Robert A. Schrader, Tacoma, Wash.**

D. 343,012 1/1994 Cole ..... D25/124  
5,035,085 7/1991 Mamelson et al. .... 49/504

[73] Assignee: **Mikron Industries, Kent, Wash.**

*Primary Examiner*—A. Hugo Word  
*Assistant Examiner*—Doris Clarke  
*Attorney, Agent, or Firm*—Seed and Berry

[\*\*] Term: **14 Years**

[57] CLAIM

[21] Appl. No.: **12,362**

The ornamental design for a window component extrusion, as shown and described.

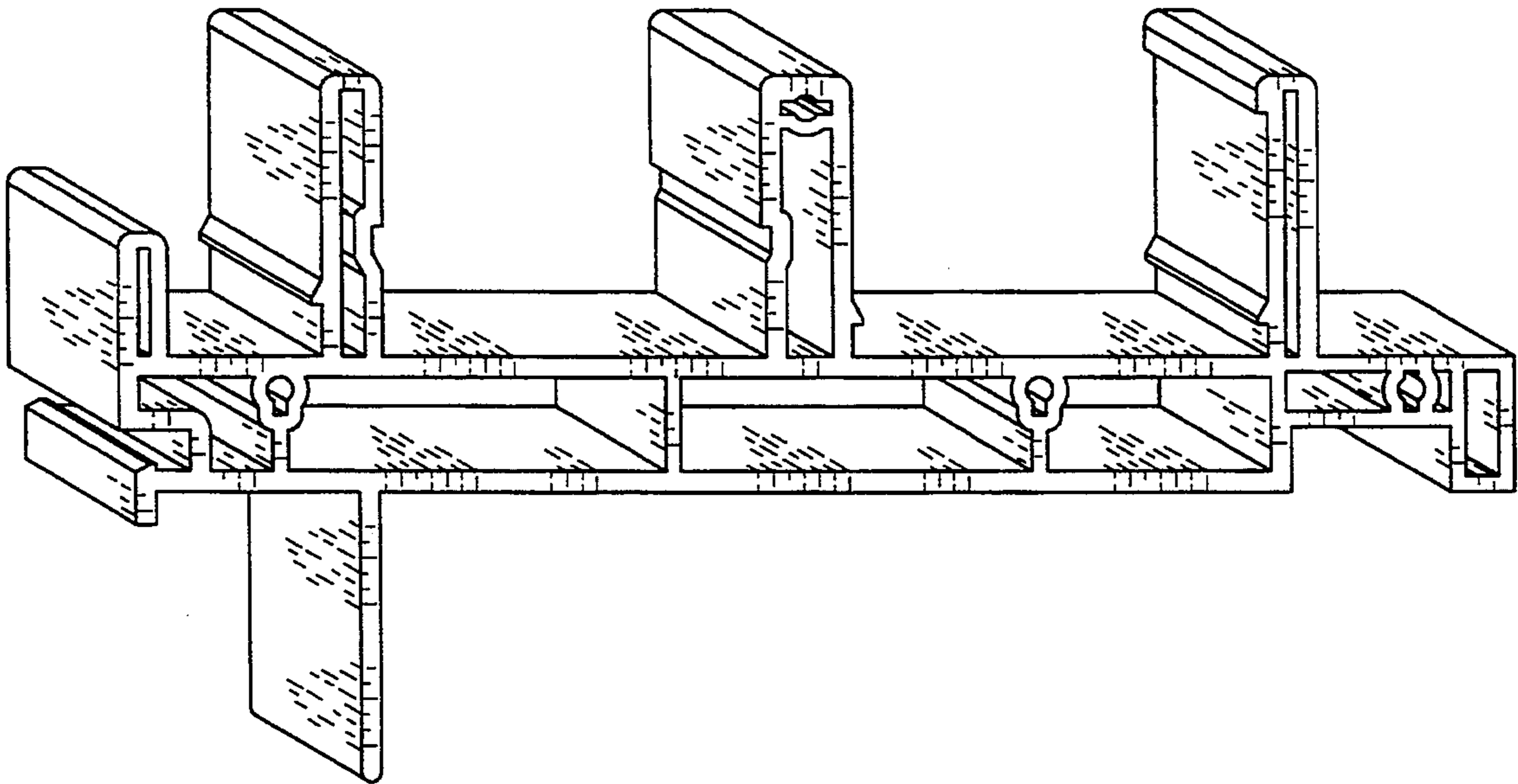
[22] Filed: **Aug. 30, 1993**

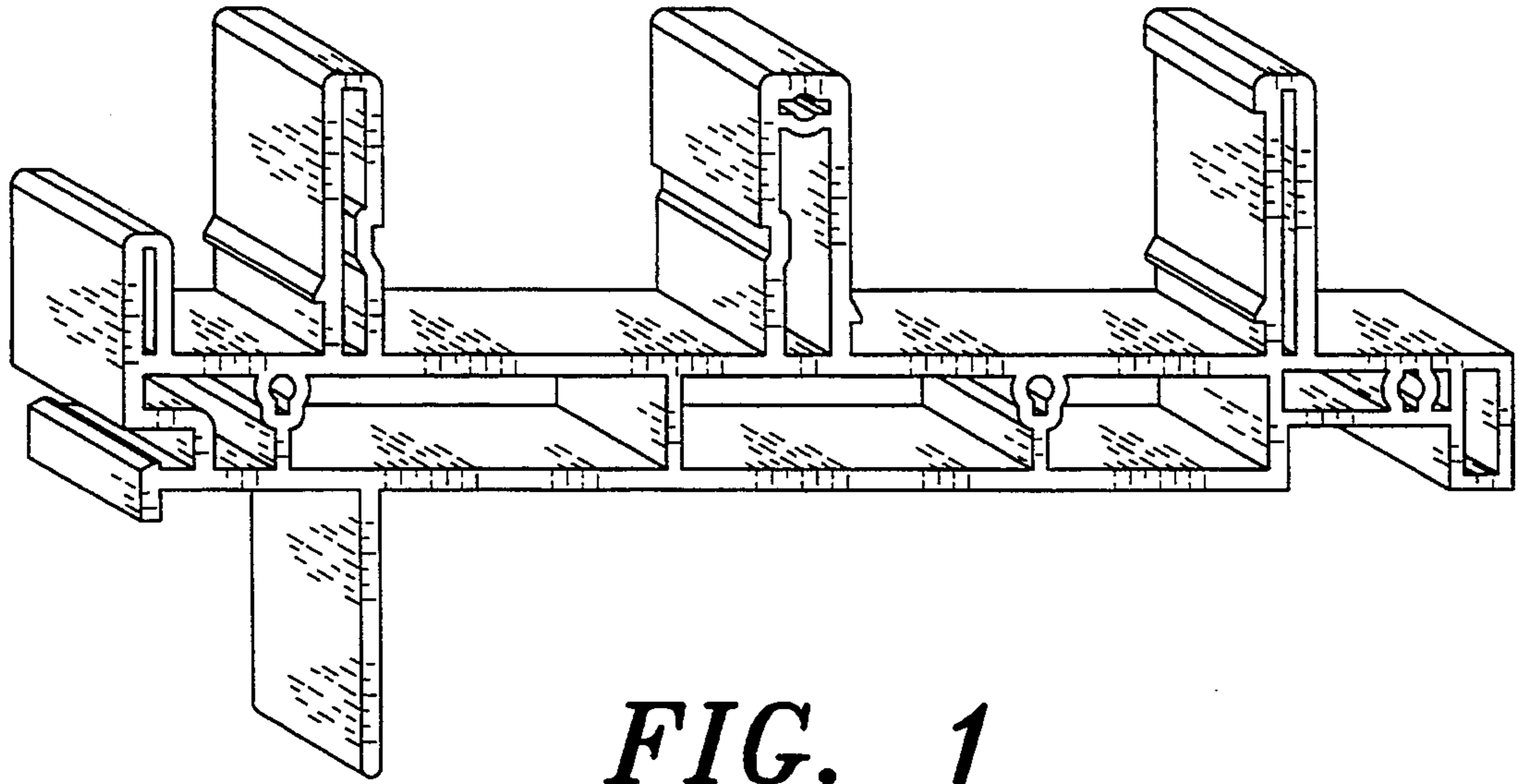
### DESCRIPTION

[52] U.S. Cl. .... **D25/124**

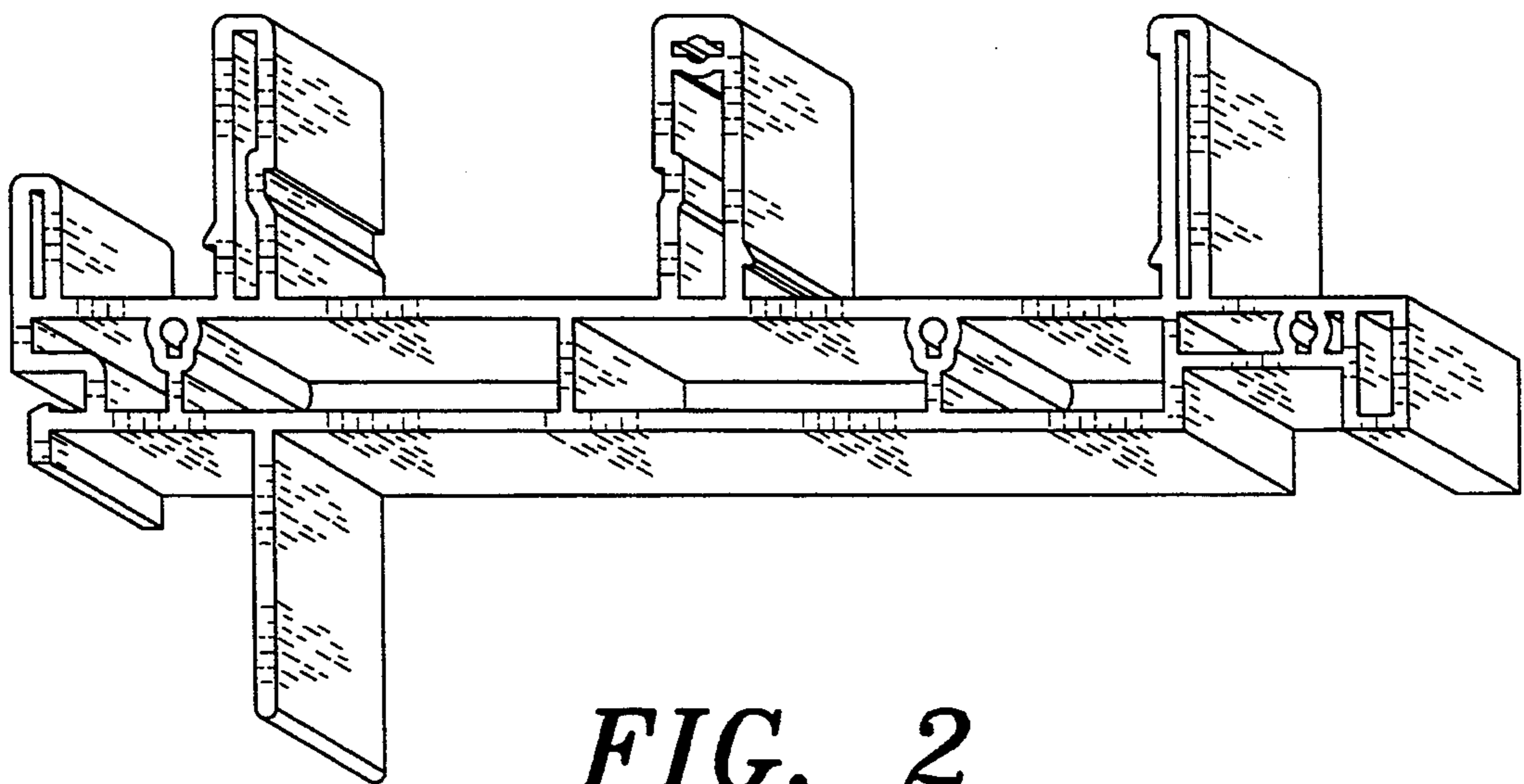
[58] Field of Search ..... 49/DIG. 2, 504-505;  
52/204.1, 204.5; D25/52, 124

FIG. 1 is a top right perspective view of a window component extrusion showing my new design, the window component extrusion being of indefinite length; and,  
FIG. 2 is a bottom left perspective view thereof.





*FIG. 1*



*FIG. 2*