



US00D353211S

# United States Patent [19]

[11] Patent Number: **Des. 353,211**

Schrader

[45] Date of Patent: **\*\* Dec. 6, 1994**

[54] WINDOW COMPONENT EXTRUSION

|            |        |             |       |           |
|------------|--------|-------------|-------|-----------|
| D. 338,972 | 8/1993 | Moss et al. | ..... | D25/124   |
| 4,333,283  | 6/1982 | Ebata       | ..... | 49/DIG. 2 |
| 4,852,312  | 8/1989 | Harbom      | ..... | 52/204.5  |

[75] Inventor: **Robert A. Schrader, Tacoma, Wash.**

[73] Assignee: **Mikron Industries, Kent, Wash.**

[\*\*] Term: **14 Years**

*Primary Examiner*—A. Hugo Word  
*Assistant Examiner*—Doris Clark  
*Attorney, Agent, or Firm*—Seed and Berry

[21] Appl. No.: **12,351**

[57] **CLAIM**

[22] Filed: **Aug. 30, 1993**

The ornamental design for a window component extrusion, as shown and described.

[52] U.S. Cl. .... **D25/124**

[58] Field of Search ..... 49/DIG. 2, 504, 505;  
52/204.1, 204.5; D25/52, 124

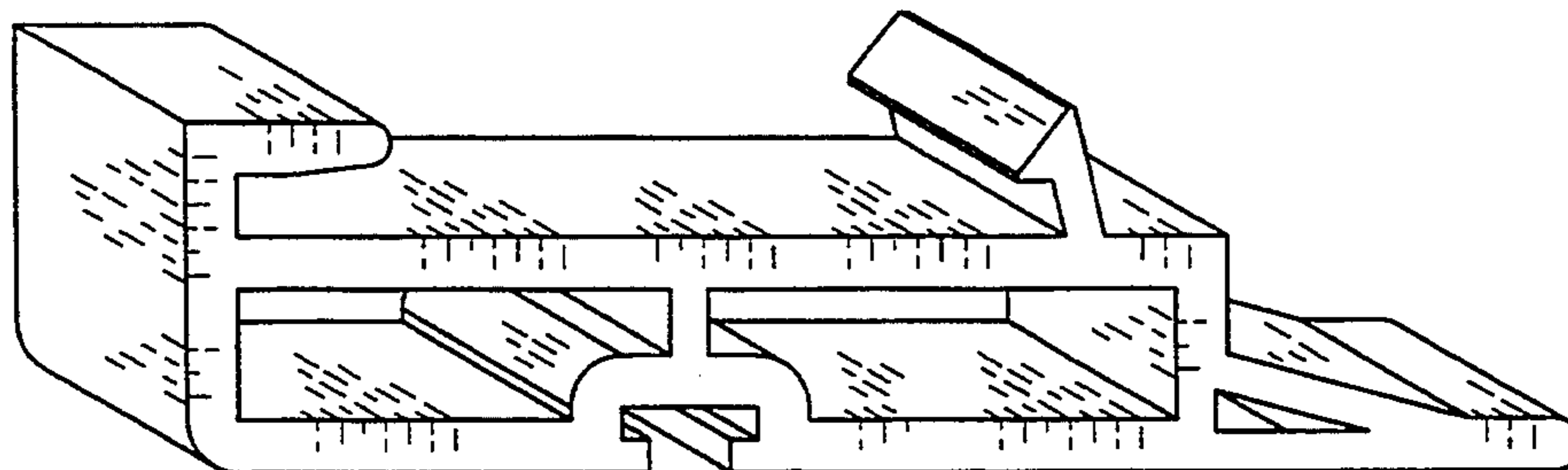
**DESCRIPTION**

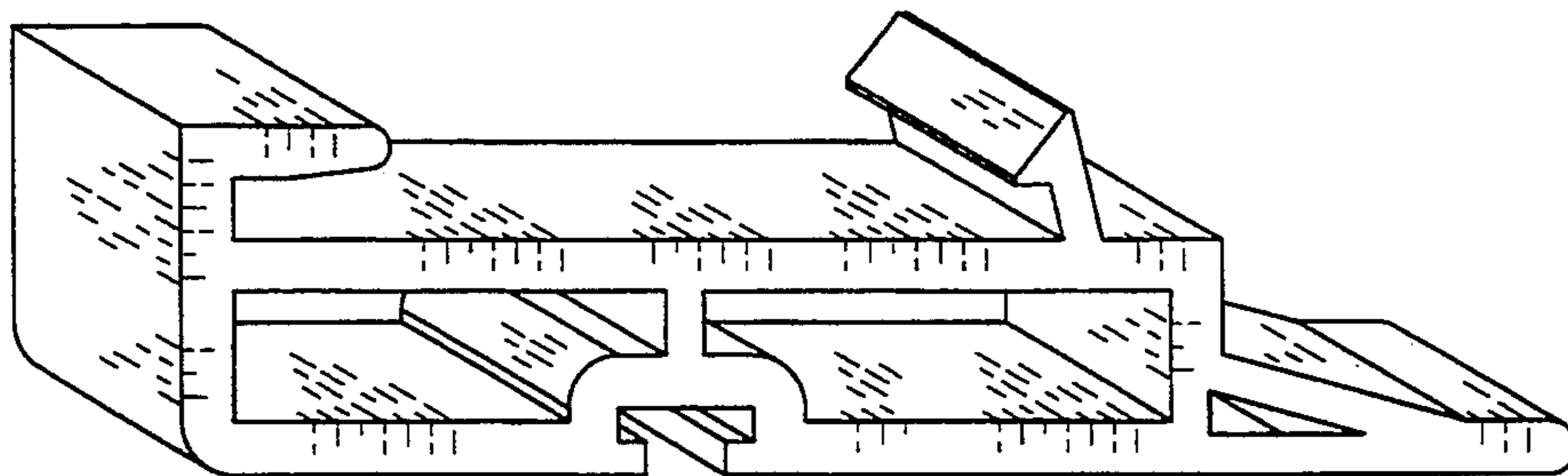
[56] **References Cited**

**U.S. PATENT DOCUMENTS**

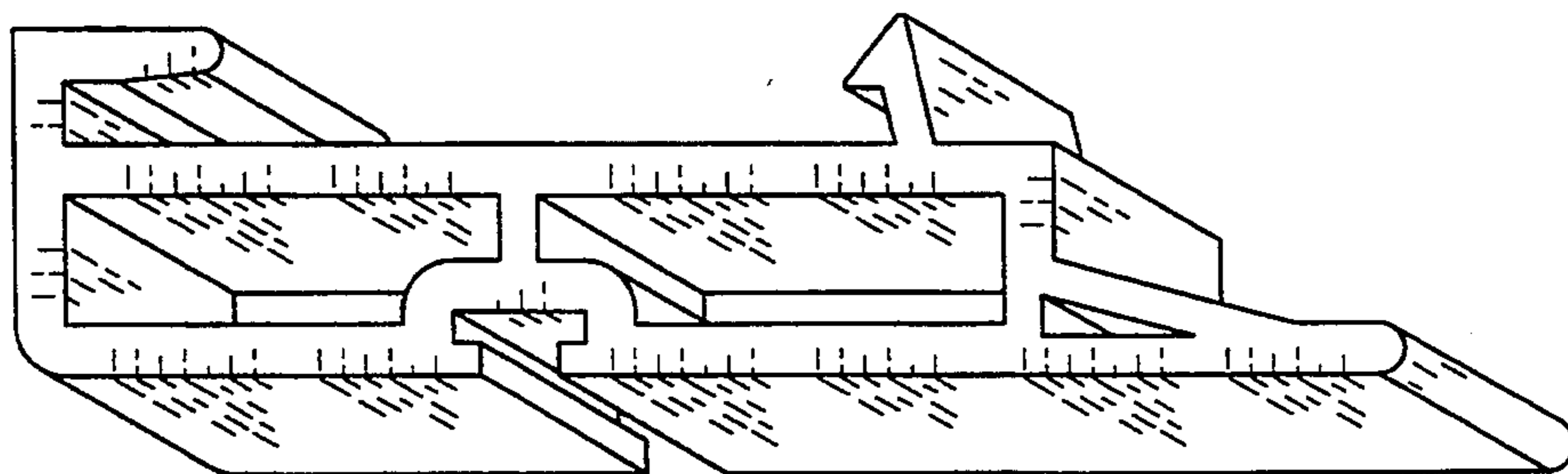
D. 299,964 2/1989 Litchfield et al. .... D25/124

FIG. 1 is a top right perspective view of a window component extrusion showing my new design, the window component extrusion being of indefinite length; and, FIG. 2 is a bottom left perspective view thereof.





*FIG. 1*



*FIG. 2*