



US00D353209S

United States Patent [19]

[11] Patent Number: **Des. 353,209**

Dallaire et al.

[45] Date of Patent: **** Dec. 6, 1994**

[54] **DOOR SIDE RAIL EXTRUSION**

[56] **References Cited**

[75] Inventors: **Raymond Dallaire; Dominique Dallaire, both of St. David, Canada**

U.S. PATENT DOCUMENTS

D. 263,753	4/1982	Dallaire	D25/125
D. 285,609	9/1986	Santesson	D25/123
D. 330,431	10/1992	Wang	D25/119
4,398,373	8/1983	Mancuso	49/504
4,614,062	9/1986	Sperr	49/504
4,640,078	2/1987	Haffer	49/DIG. 2

[73] Assignee: **Dallaire Industries Ltd., Quebec, Canada**

Primary Examiner—A. Hugo Word
Assistant Examiner—Doris Clark
Attorney, Agent, or Firm—James D. Hall

[**] Term: **14 Years**

[57] **CLAIM**

[21] Appl. No.: **523,134**

The ornamental design for a door side rail extrusion, as shown and described.

[22] Filed: **May 11, 1990**

DESCRIPTION

[30] **Foreign Application Priority Data**

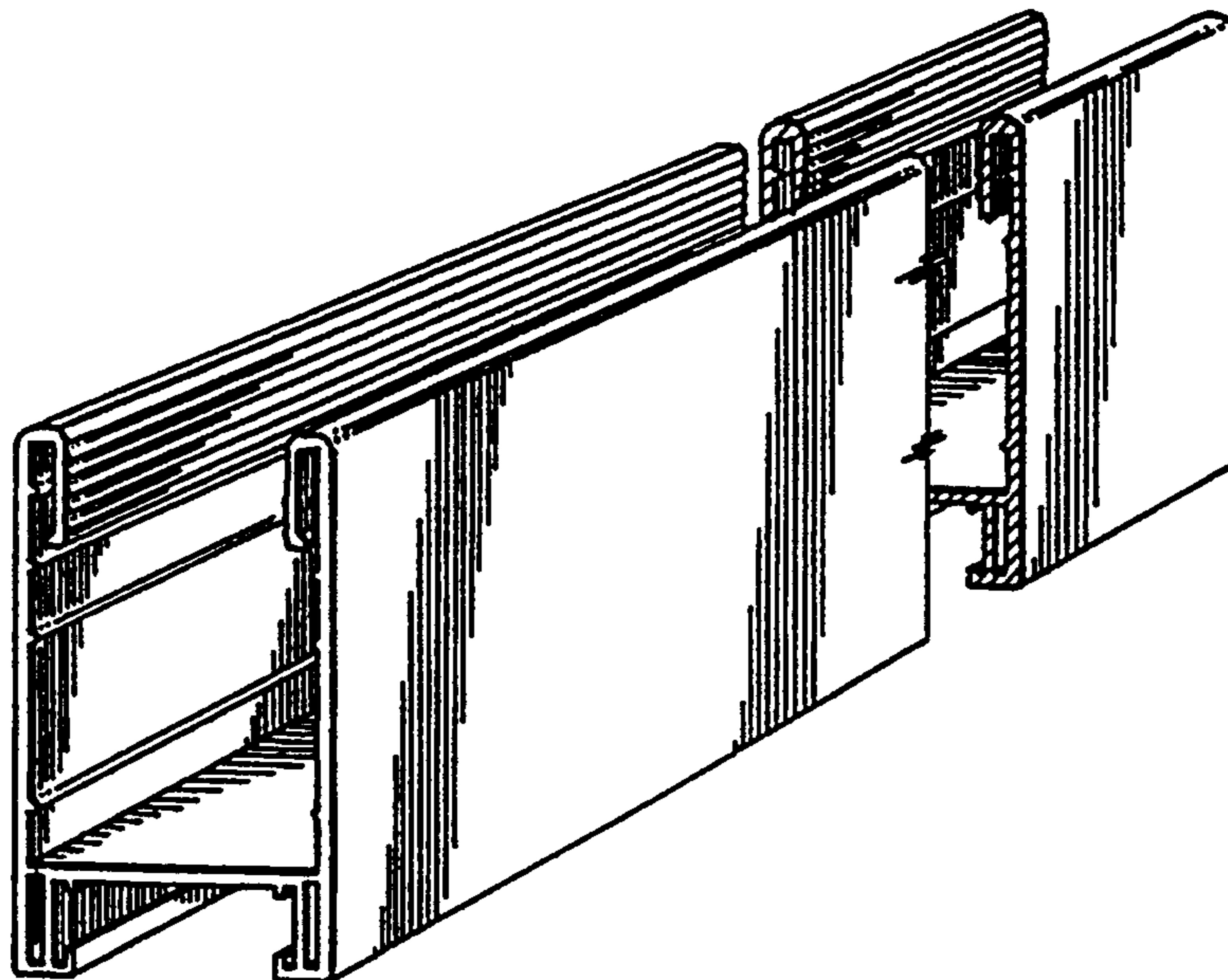
Nov. 11, 1989 [GB] United Kingdom 2002407

[52] U.S. Cl. **D25/123**

[58] Field of Search 49/504, DIG. 2; D25/48, D25/60, 119, 121, 123, 125, 120

FIG. 1 is a top perspective view of a door side rail extrusion showing our new design, the door side rail extrusion is broken in the center to disclose indefinite length; and,

FIG. 2 is a bottom perspective view thereof.



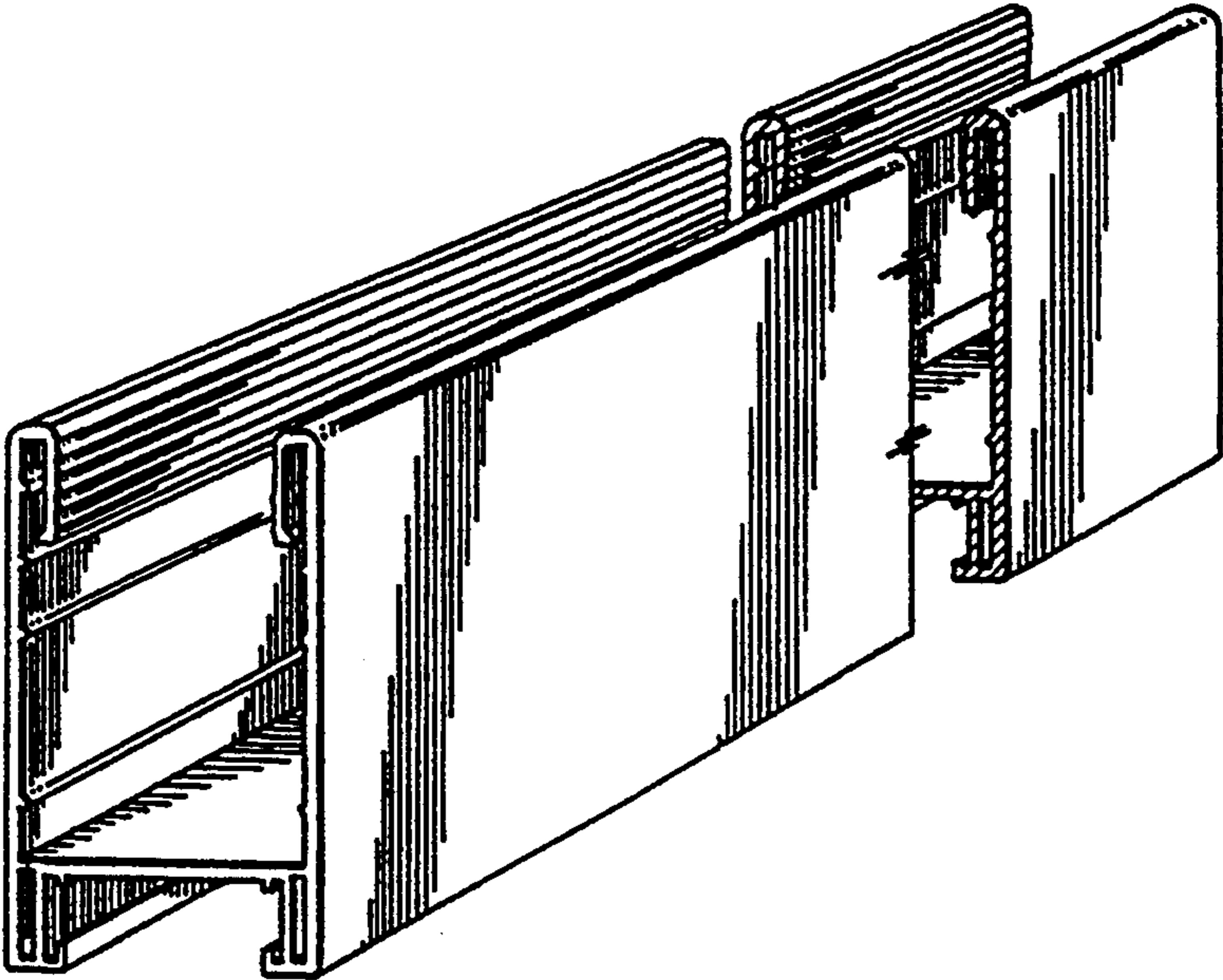


FIG. 1

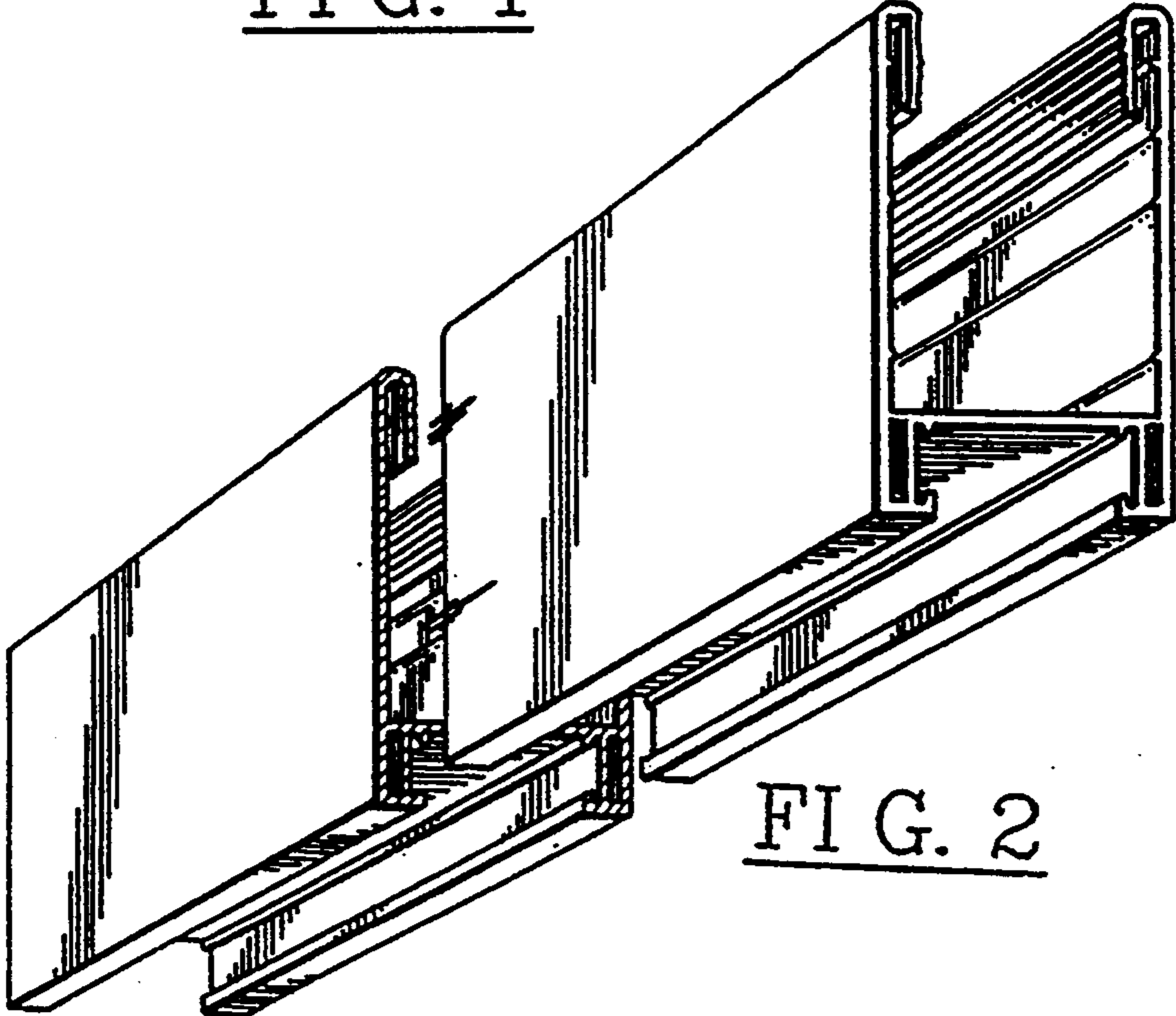


FIG. 2