



US00D353207S

United States Patent [19]

[11] Patent Number: **Des. 353,207**

Davlantes

[45] Date of Patent: **** Dec. 6, 1994**

[54] **PET DOOR**

4,969,292 11/1990 Reid et al. 49/169
4,991,350 2/1991 Kirk 49/169

[76] Inventor: **George N. Davlantes, 21457 Iglesia Dr., Woodland Hills, Calif. 91364**

Primary Examiner—A. Hugo Word
Assistant Examiner—Doris Clark
Attorney, Agent, or Firm—Lahive & Cockfield

[**] Term: **14 Years**

[21] Appl. No.: **6,669**

[57] **CLAIM**

[22] Filed: **Apr. 6, 1993**

The ornamental design for a pet door, as shown and described.

[52] U.S. Cl. **D25/48**

[58] Field of Search 52/204.1; 49/168-169, 49/504; 119/19; D25/48; D30/108

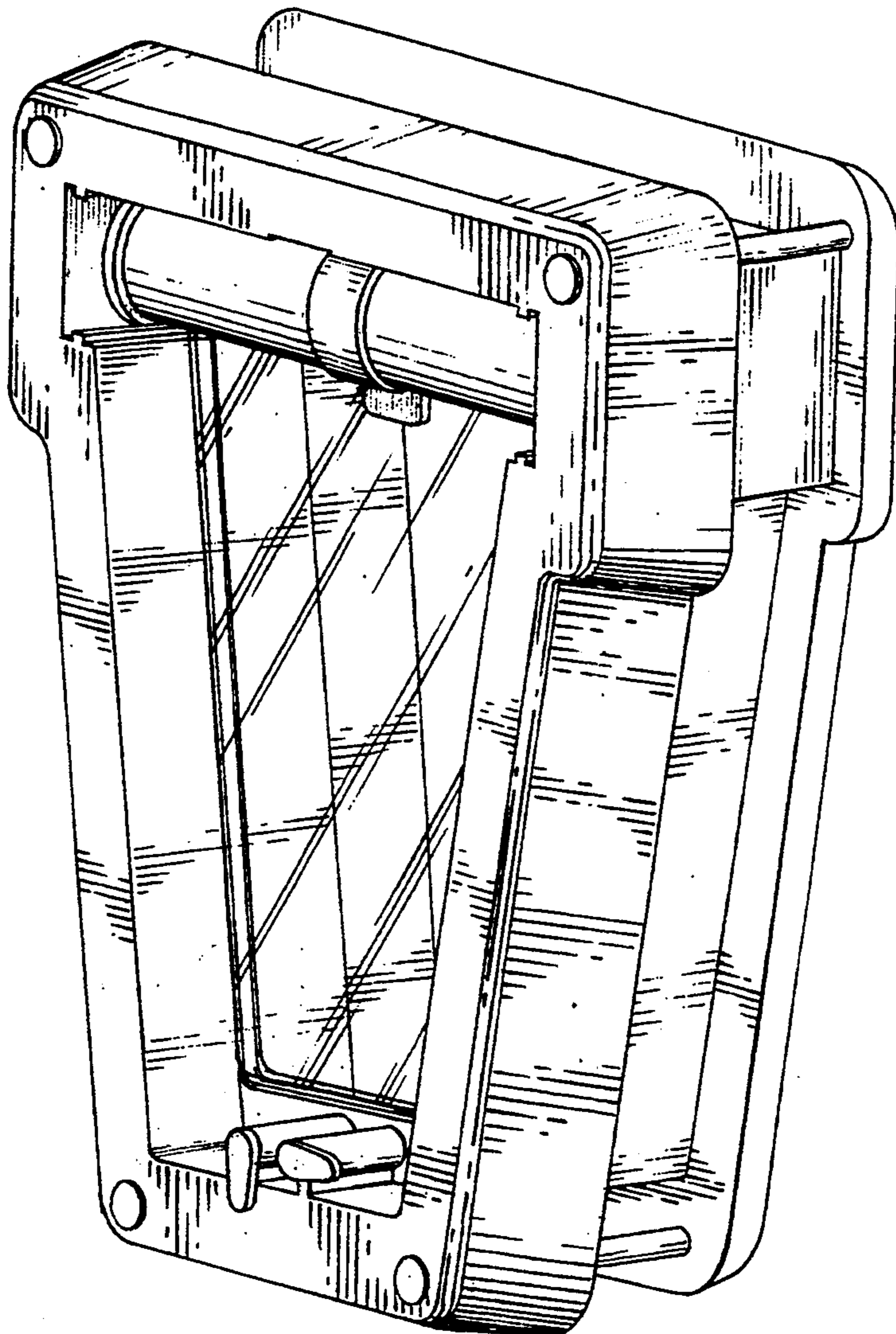
DESCRIPTION

[56] **References Cited**

U.S. PATENT DOCUMENTS

D. 326,914	6/1992	Kirk	D25/48
3,690,299	9/1972	Johnson	D25/48
4,173,099	11/1979	Robb	49/168
4,840,217	6/1989	Evans, III	49/169

FIG. 1 is a perspective view of a pet door showing my new design;
FIG. 2 is a front elevational view thereof;
FIG. 3 is a rear elevational view thereof;
FIG. 4 is a top view thereof;
FIG. 5 is a bottom view thereof;
FIG. 6 is a left side elevational view thereof; and,
FIG. 7 is a right elevational view thereof.



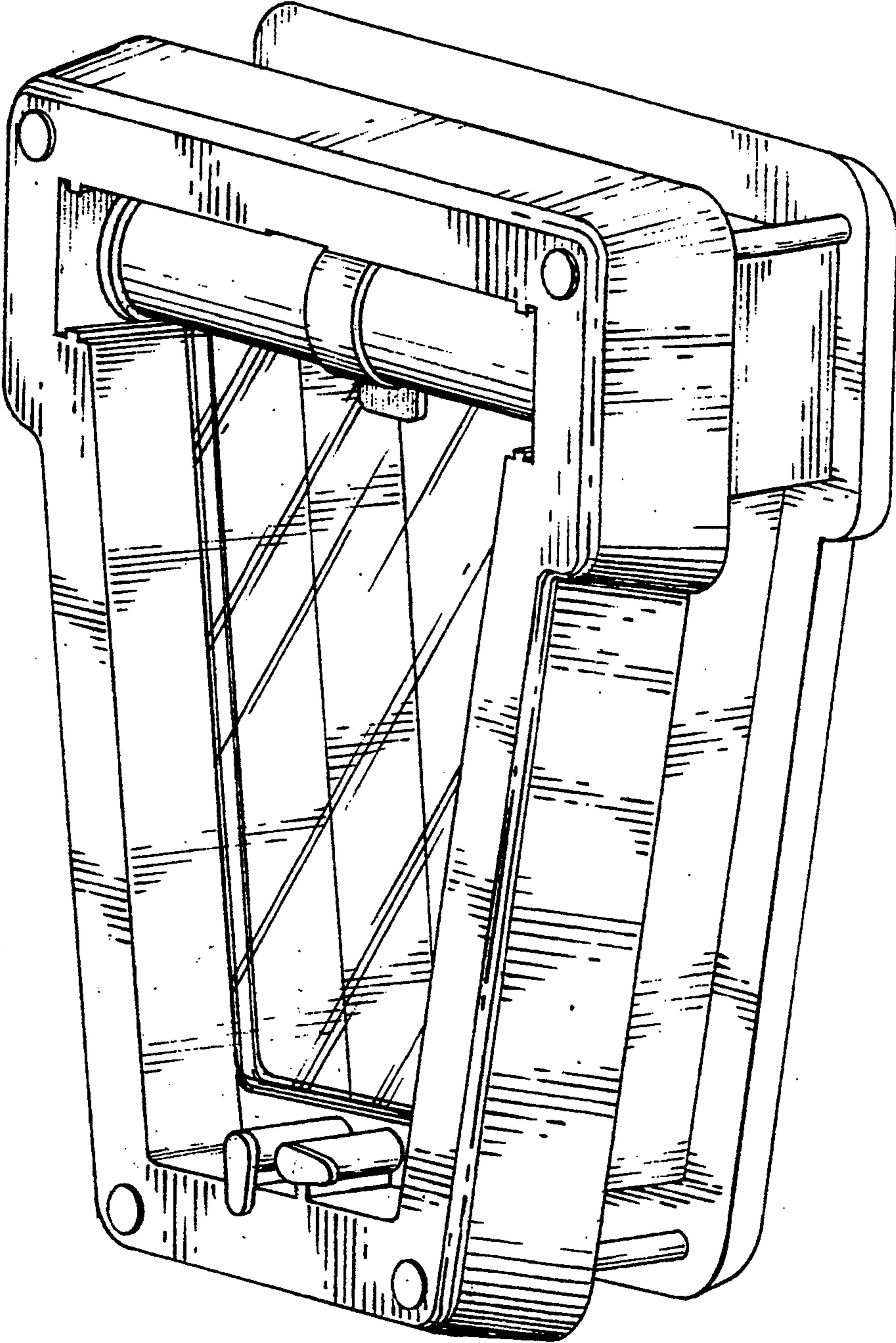


FIG. 1

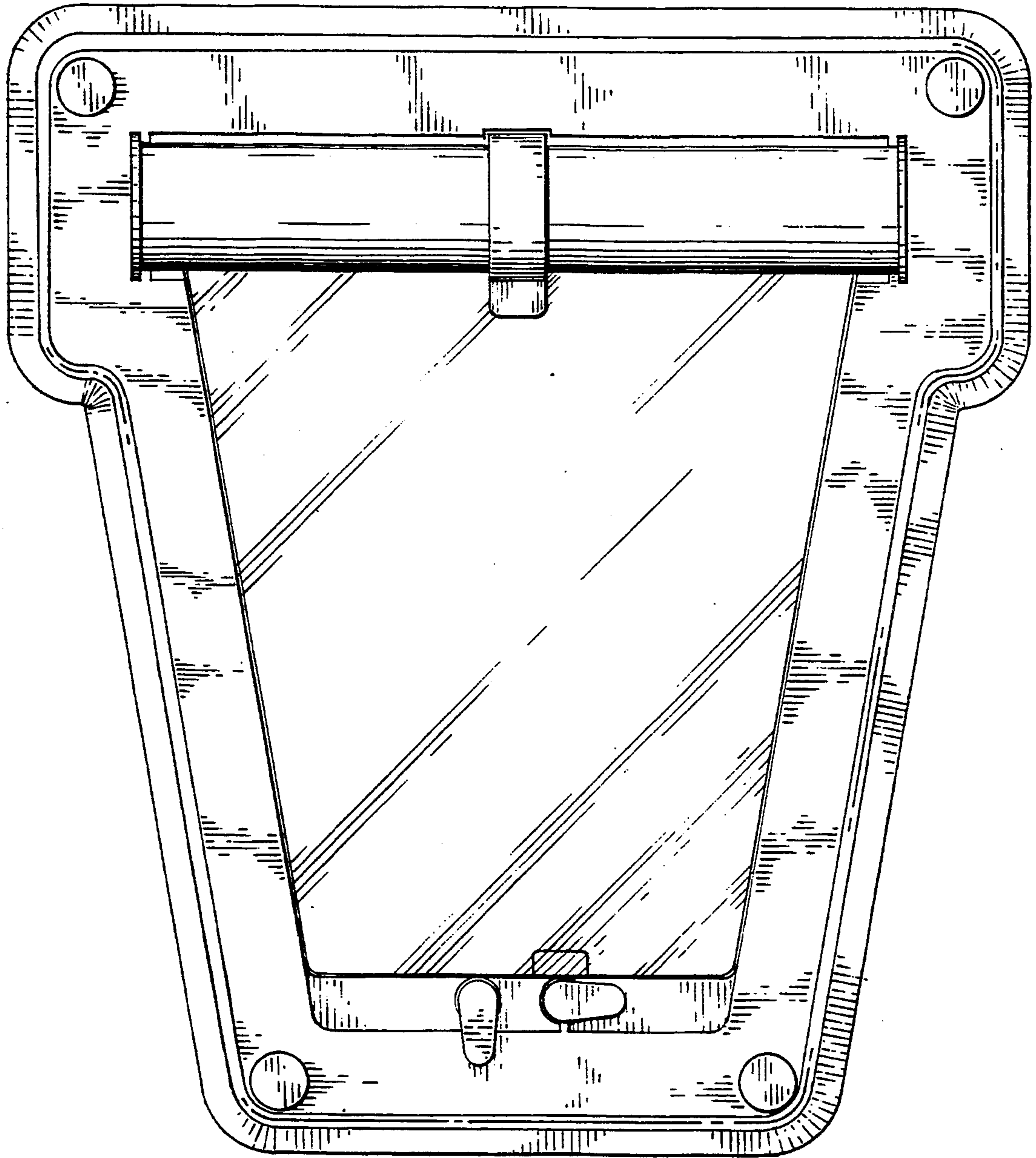


FIG. 2

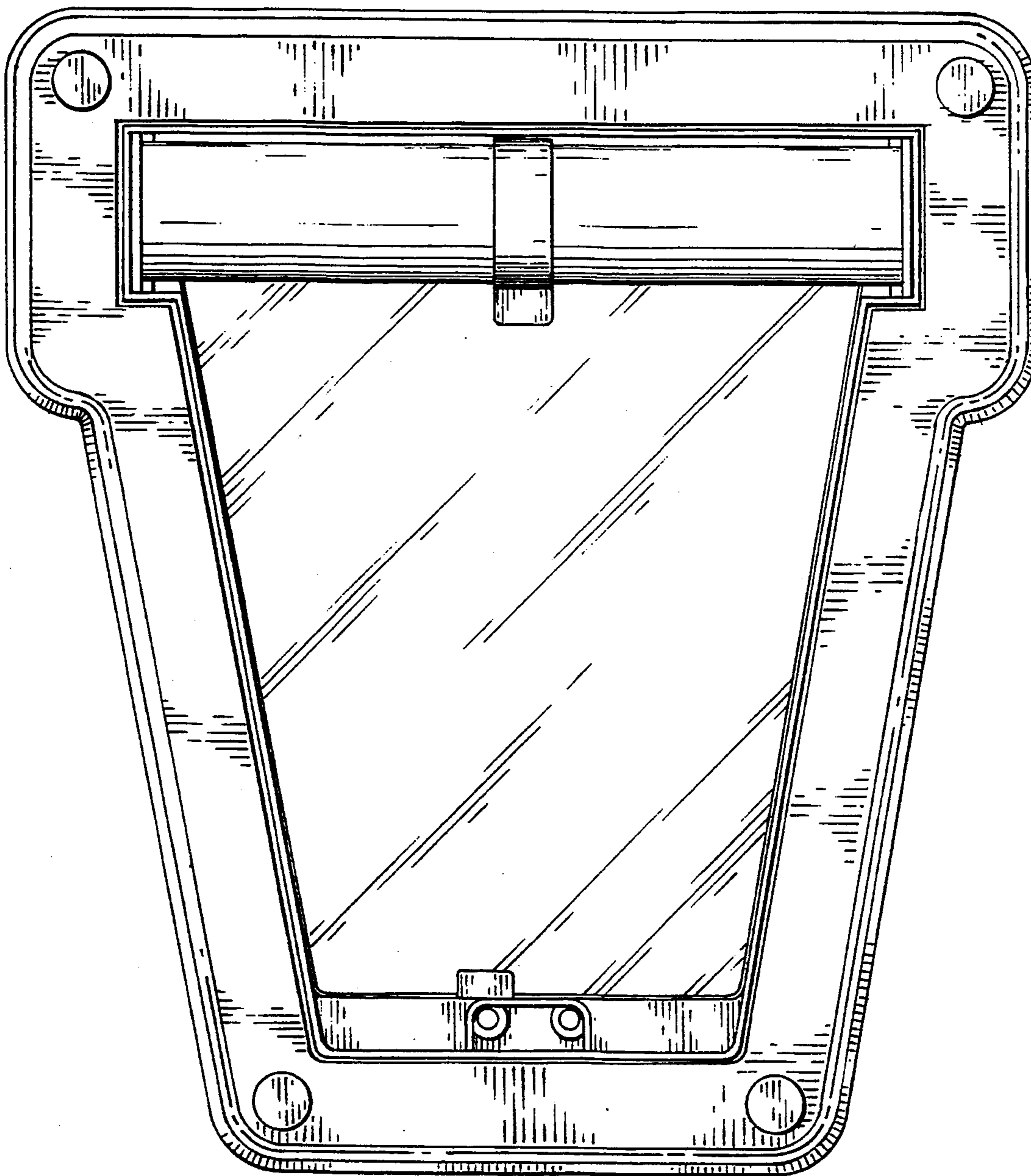


FIG. 3

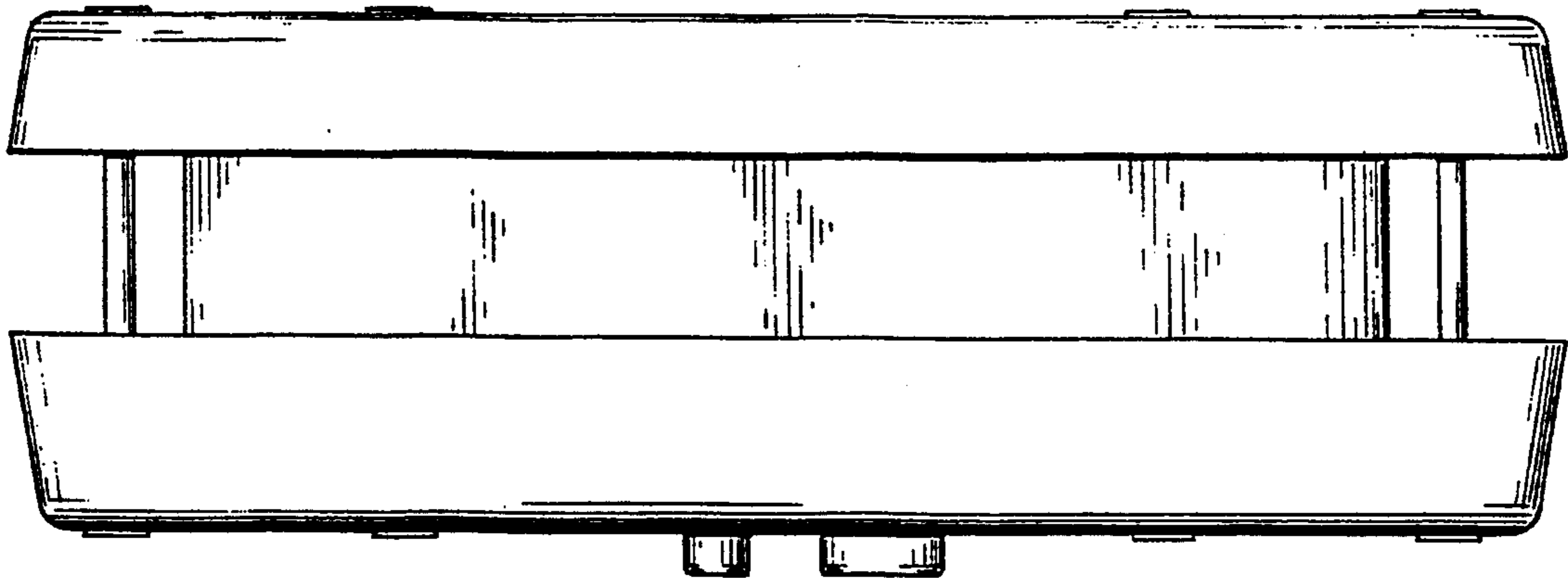


FIG. 4

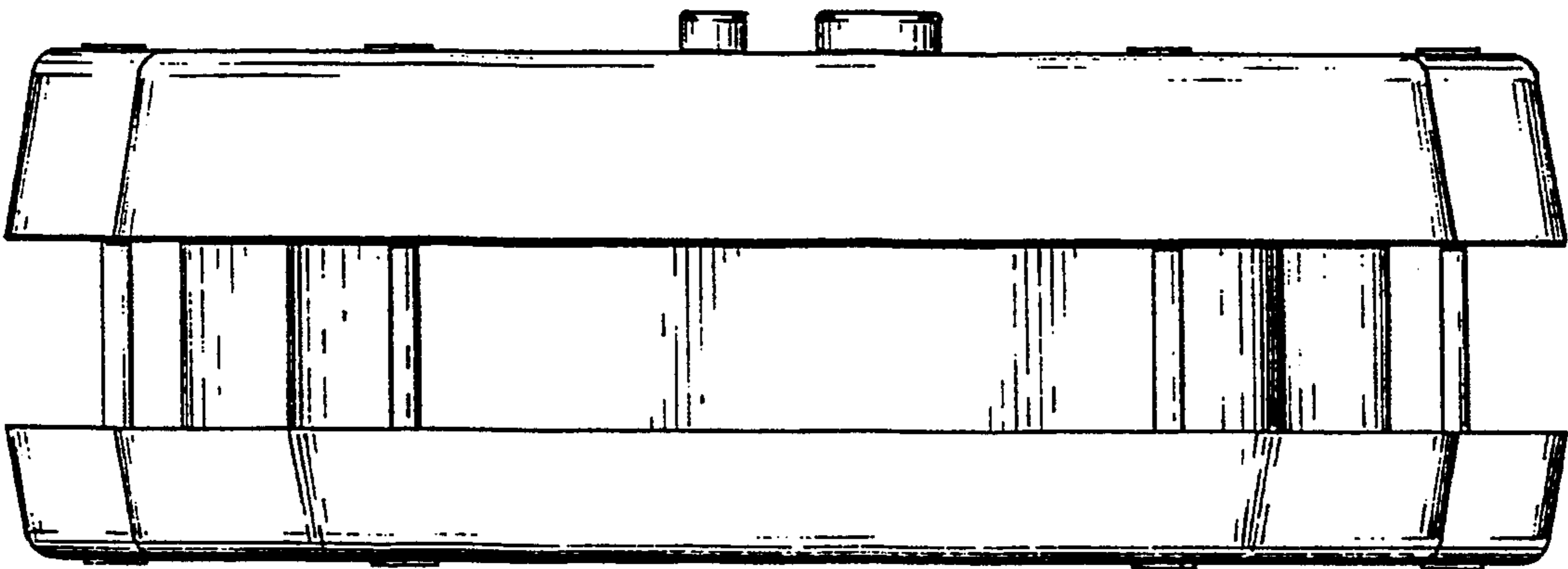


FIG. 5

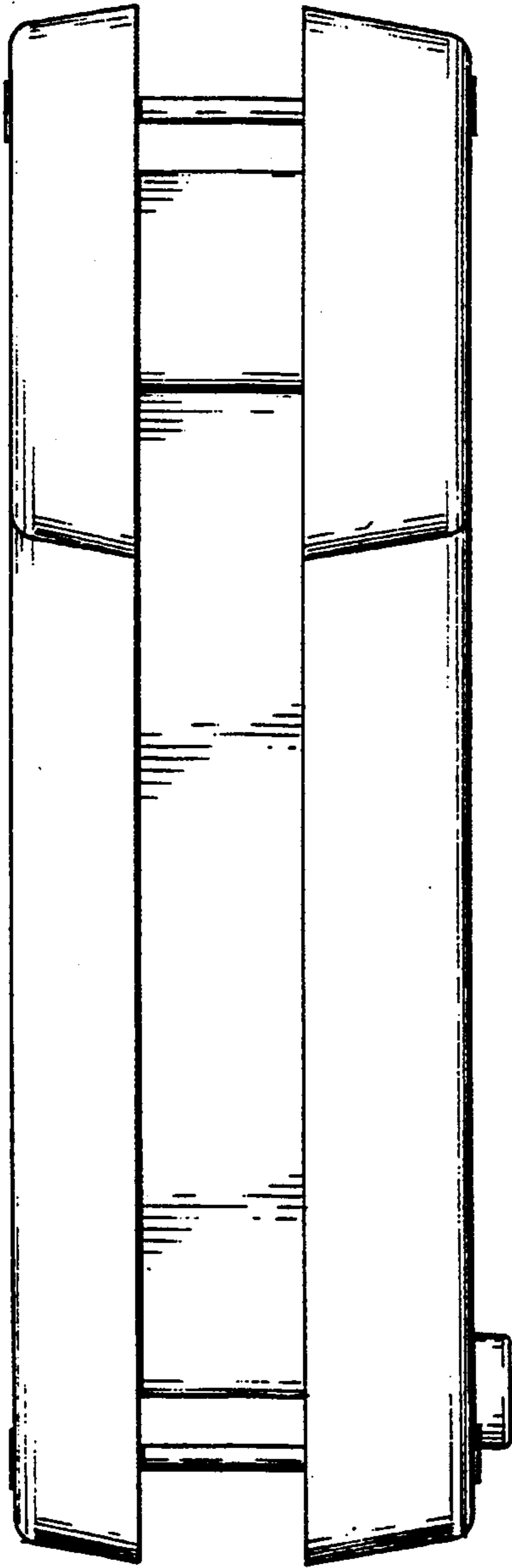


FIG. 6

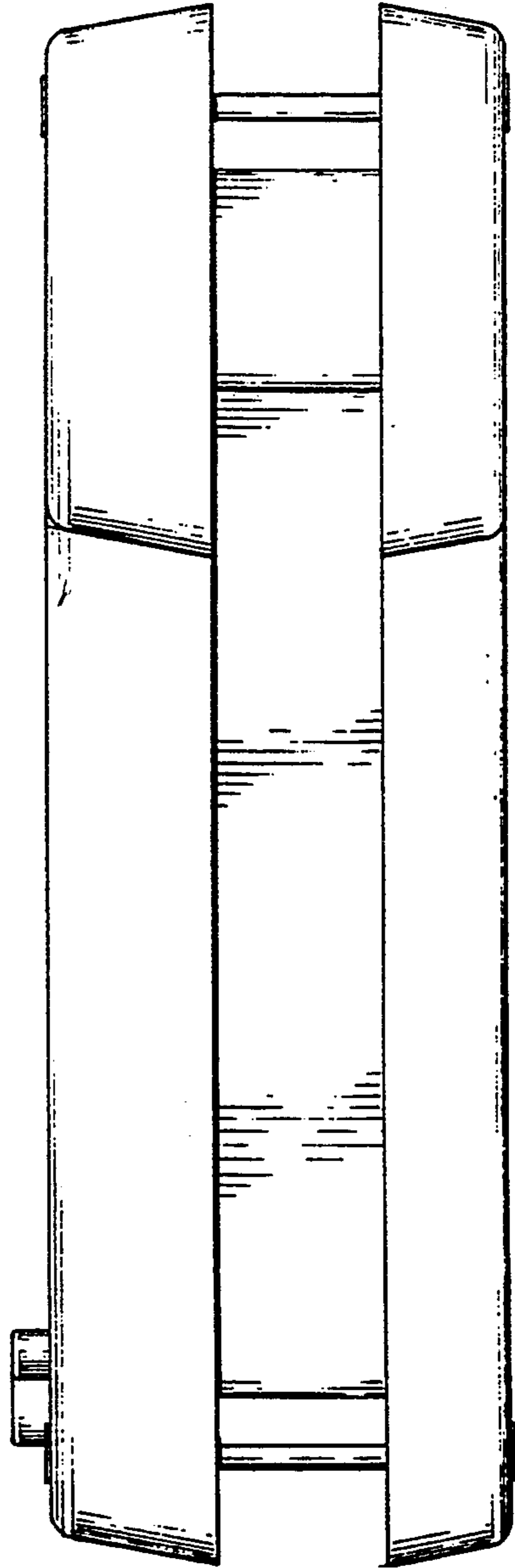


FIG. 7