



US00D353206S

# United States Patent [19]

[11] Patent Number: Des. 353,206

Dunbar

[45] Date of Patent: \*\* Dec. 6, 1994

[54] FIBERGLASS SNOW FENCE

[57] CLAIM

[76] Inventor: Steven A. Dunbar, 4351 Swingle Rd., Casper, Wyo. 82604

The ornamental design for a fiberglass snow fence, as shown and described.

[\*\*] Term: 14 Years

### DESCRIPTION

[21] Appl. No.: 16,322

FIG. 1 is a perspective view of a fiberglass snow fence showing my new design;

[22] Filed: Dec. 9, 1993

FIG. 2 is a front elevational view thereof;

[52] U.S. Cl. .... D25/42

FIG. 3 is a right side elevational view thereof;

[58] Field of Search ..... 256/1, 12.5, 19, 20, 256/22, 24, 31, 29, 59, 73, 66; D25/38, 39, 42, 43-45

FIG. 4 is a left side elevational view thereof;

FIG. 5 is a back elevational view thereof;

FIG. 6 is a top plan view thereof;

FIG. 7 is a bottom plan view thereof;

FIG. 8 is a perspective view of a snow fence in collapsed position;

[56] References Cited

### U.S. PATENT DOCUMENTS

2,803,437	8/1957	Borges	.....	D25/42
3,617,028	11/1971	Bach	.....	256/19
3,966,172	6/1976	Garrett	.....	256/12.5
4,844,424	7/1989	Knudslie	.....	256/24
5,184,800	2/1993	Tabler	.....	256/31

FIG. 9 is a front elevational view of a collapsed snow fence;

FIG. 10 is a right side elevational view of a collapsed snow fence;

FIG. 11 is a back elevational view of a collapsed snow fence;

FIG. 12 is a left side elevational view of a collapsed snow fence;

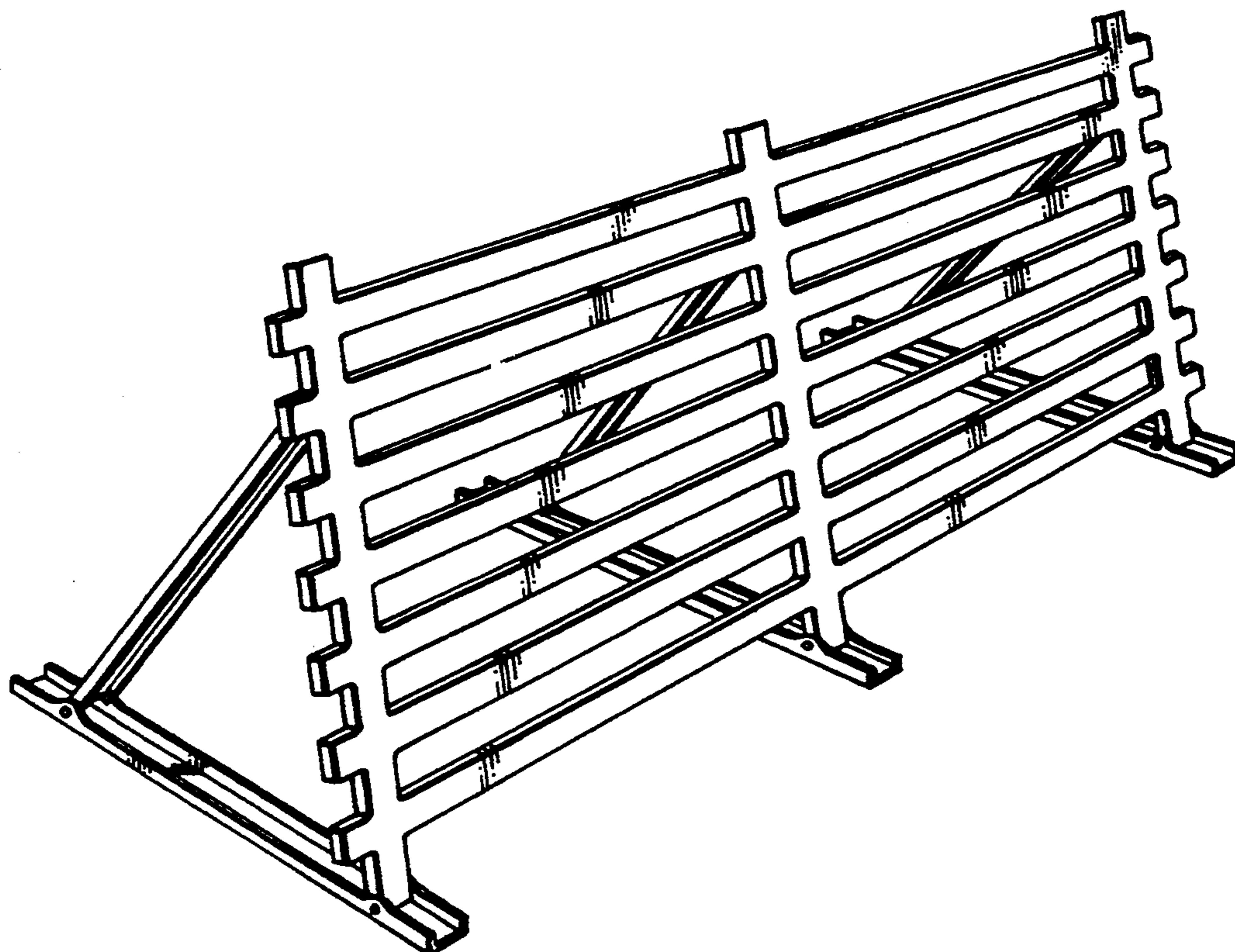
FIG. 13 is a top plan view of a collapsed snow fence; and,

FIG. 14 is a bottom plan view of a collapsed snow fence.

Primary Examiner—A. Hugo Word

Assistant Examiner—Doris Clark

Attorney, Agent, or Firm—Workman, Nydeger & Jensen



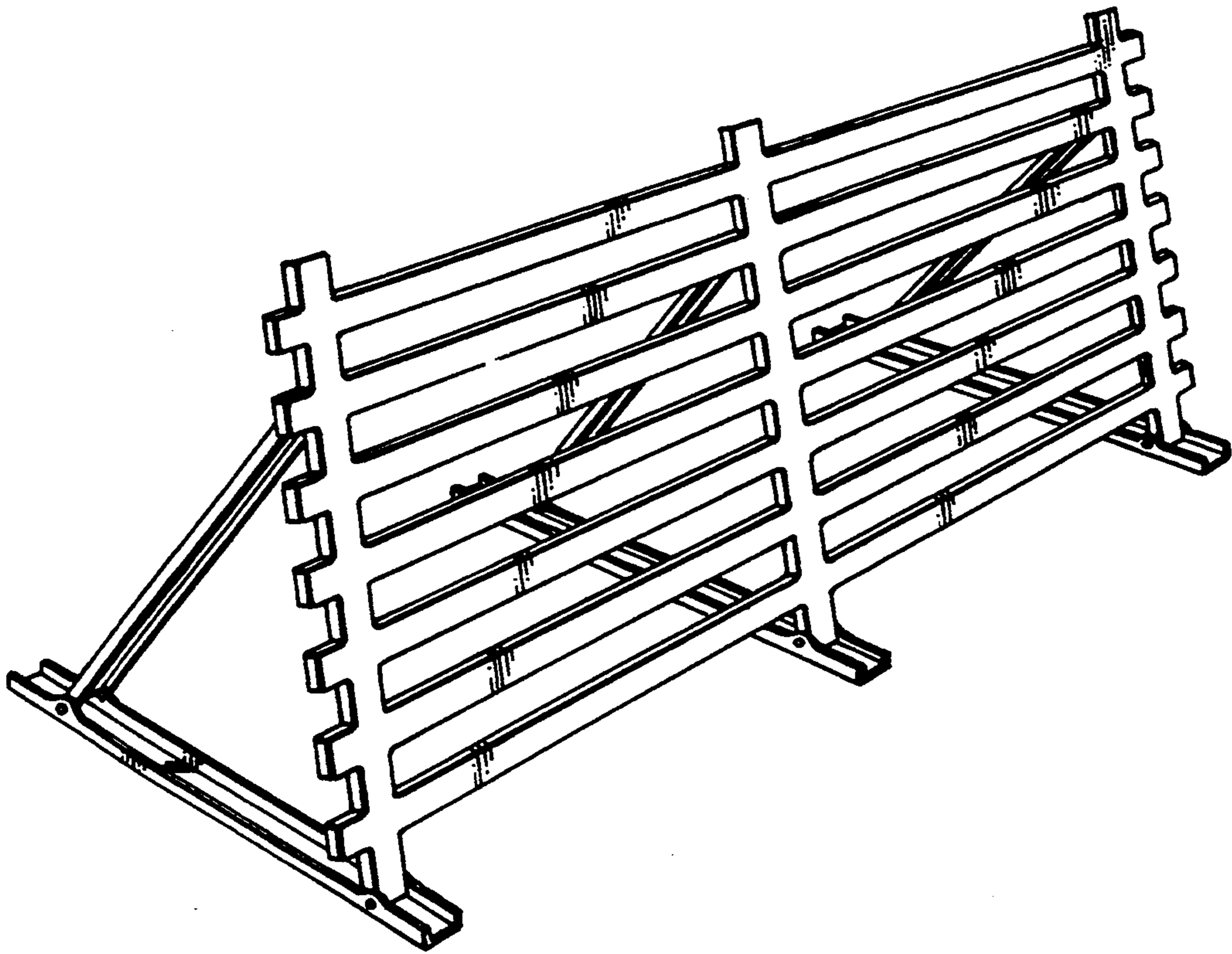


FIG. 1

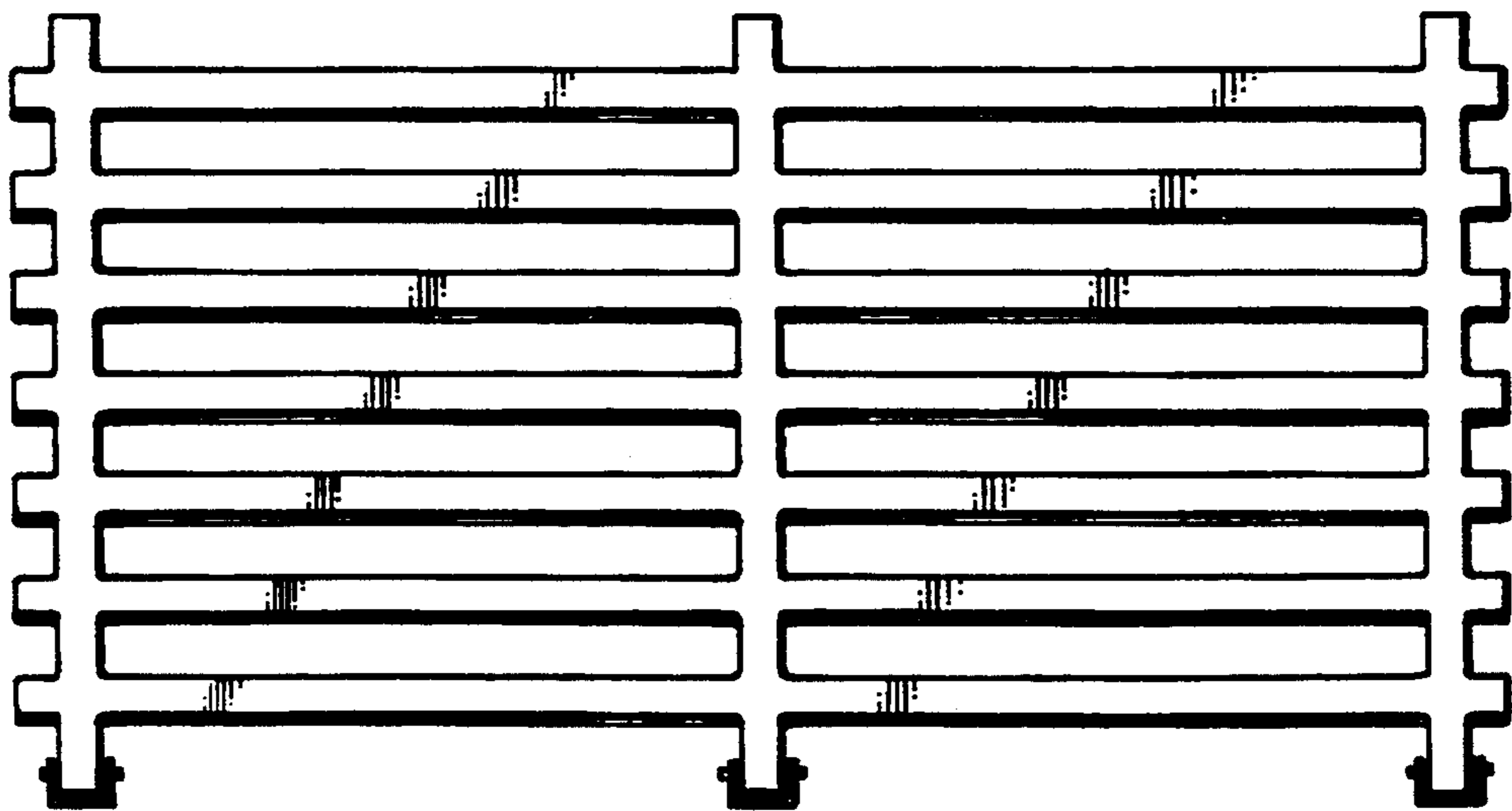


FIG. 2

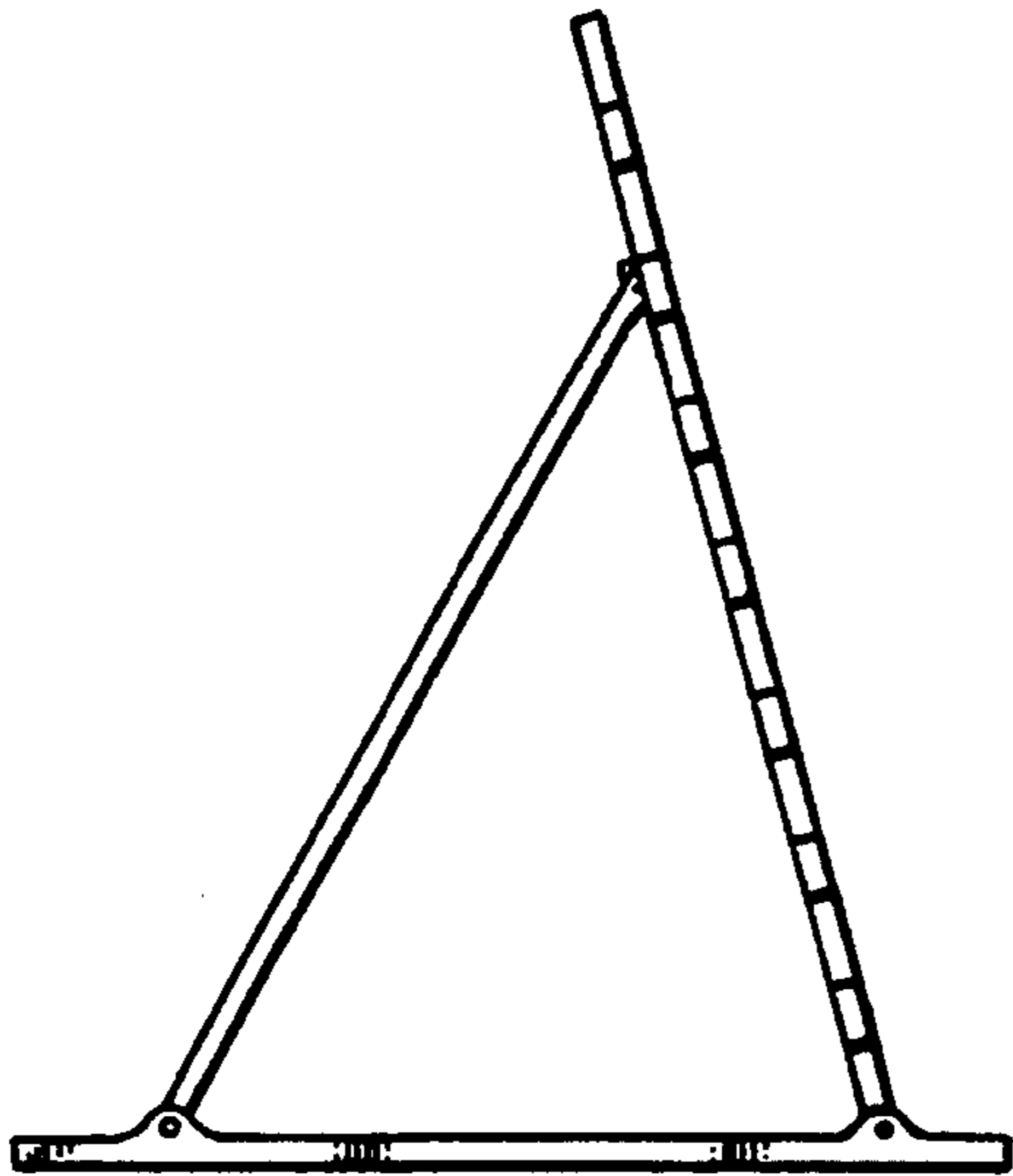


FIG. 3

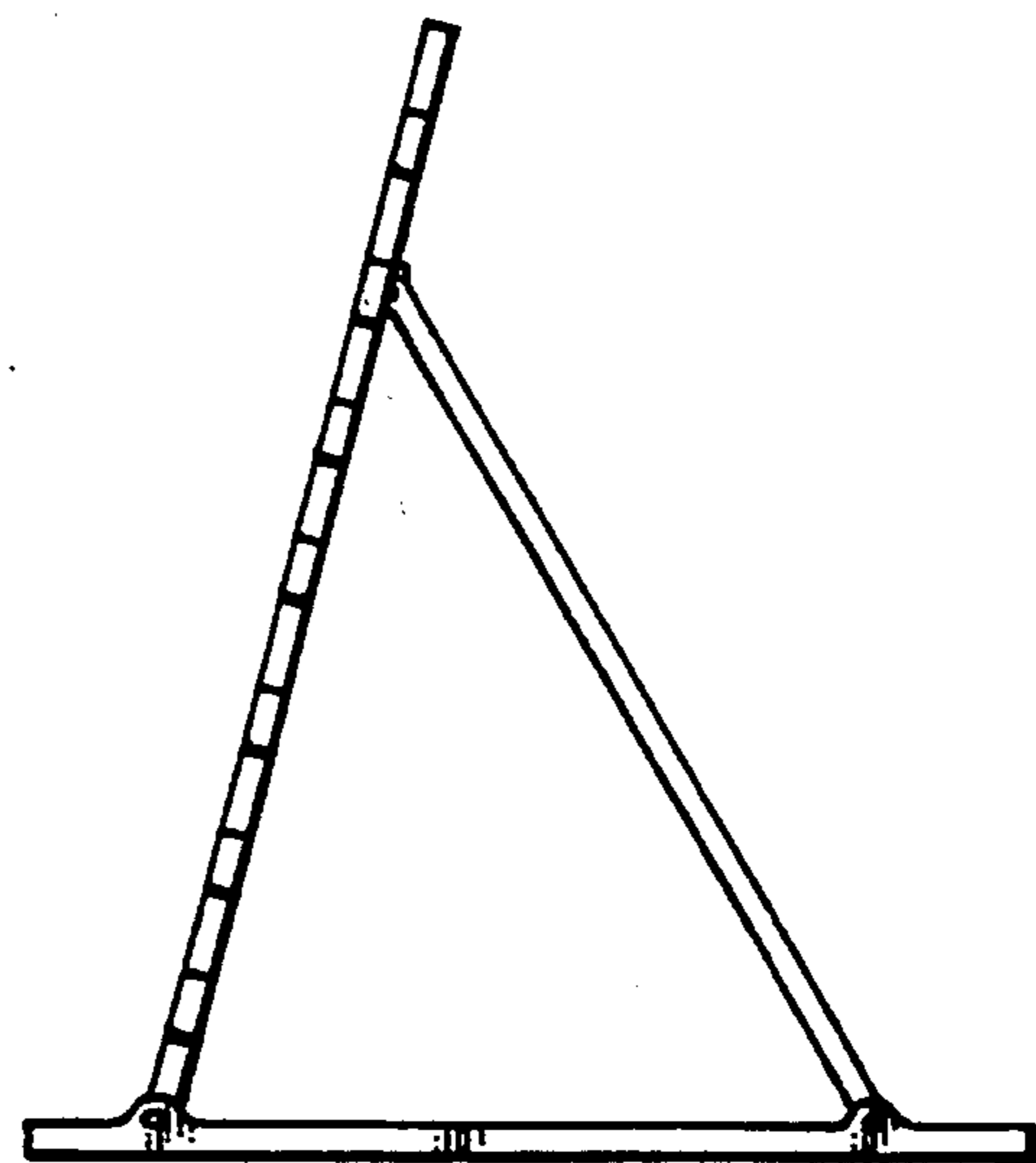


FIG. 4

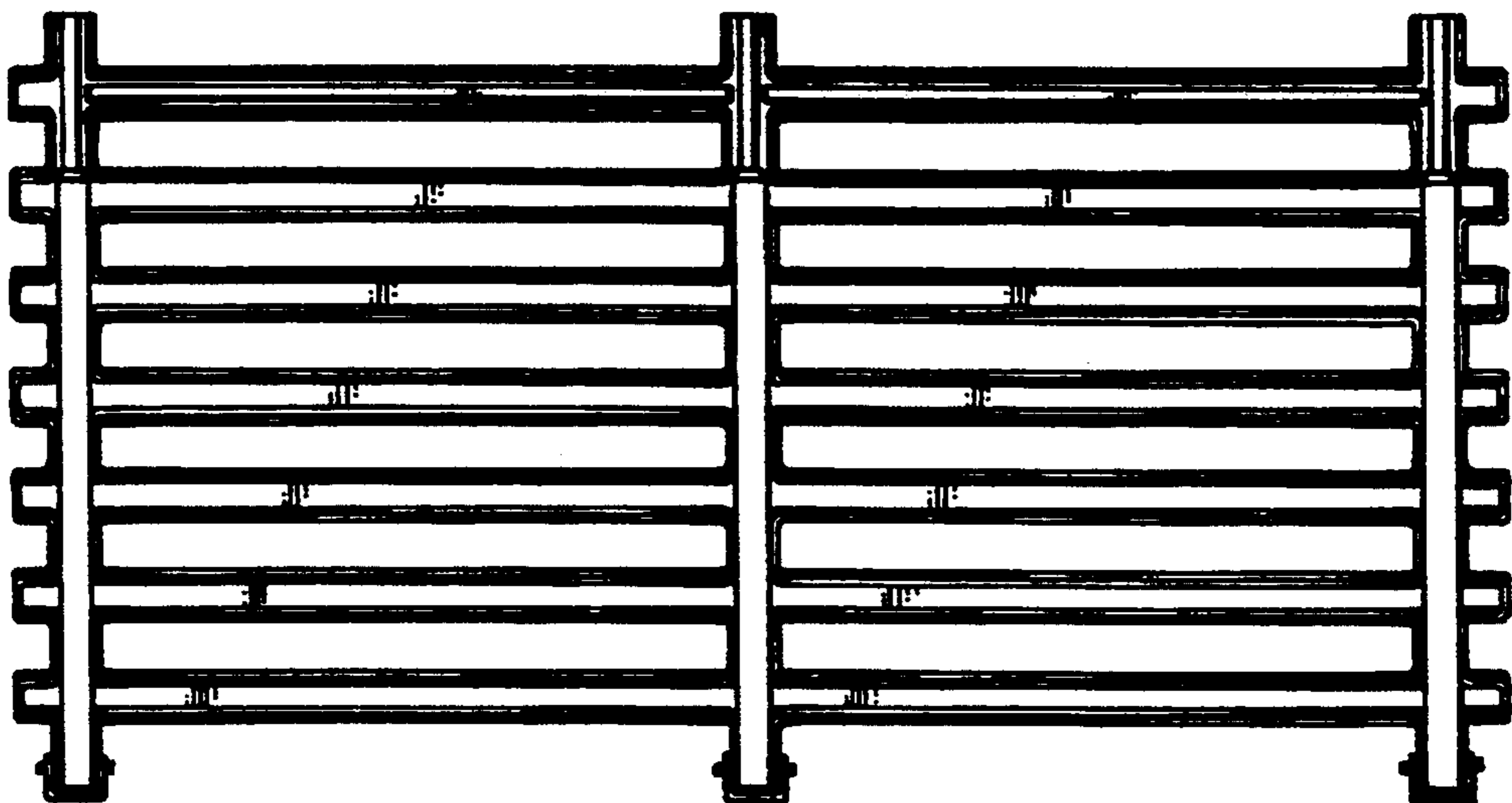


FIG. 5

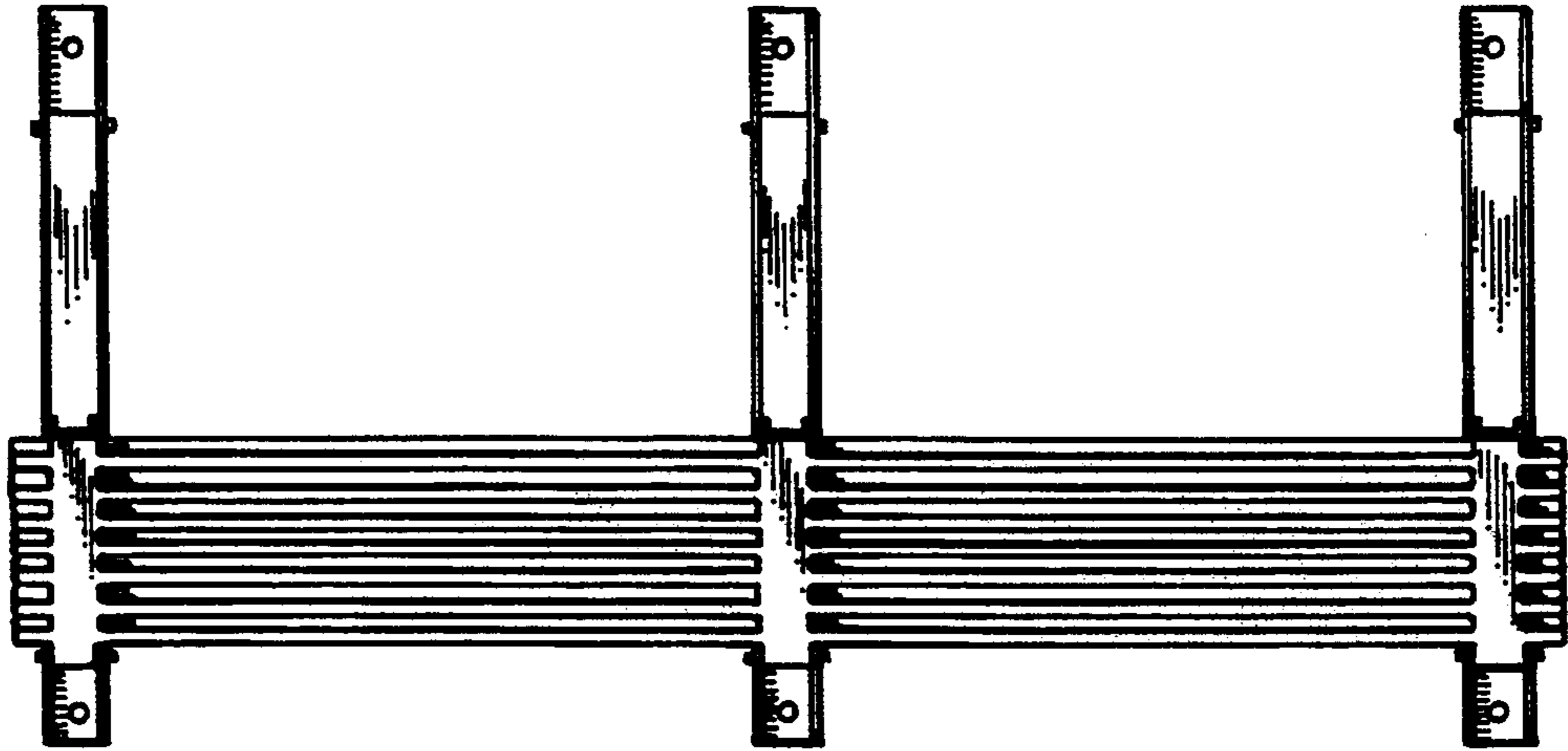


FIG. 6

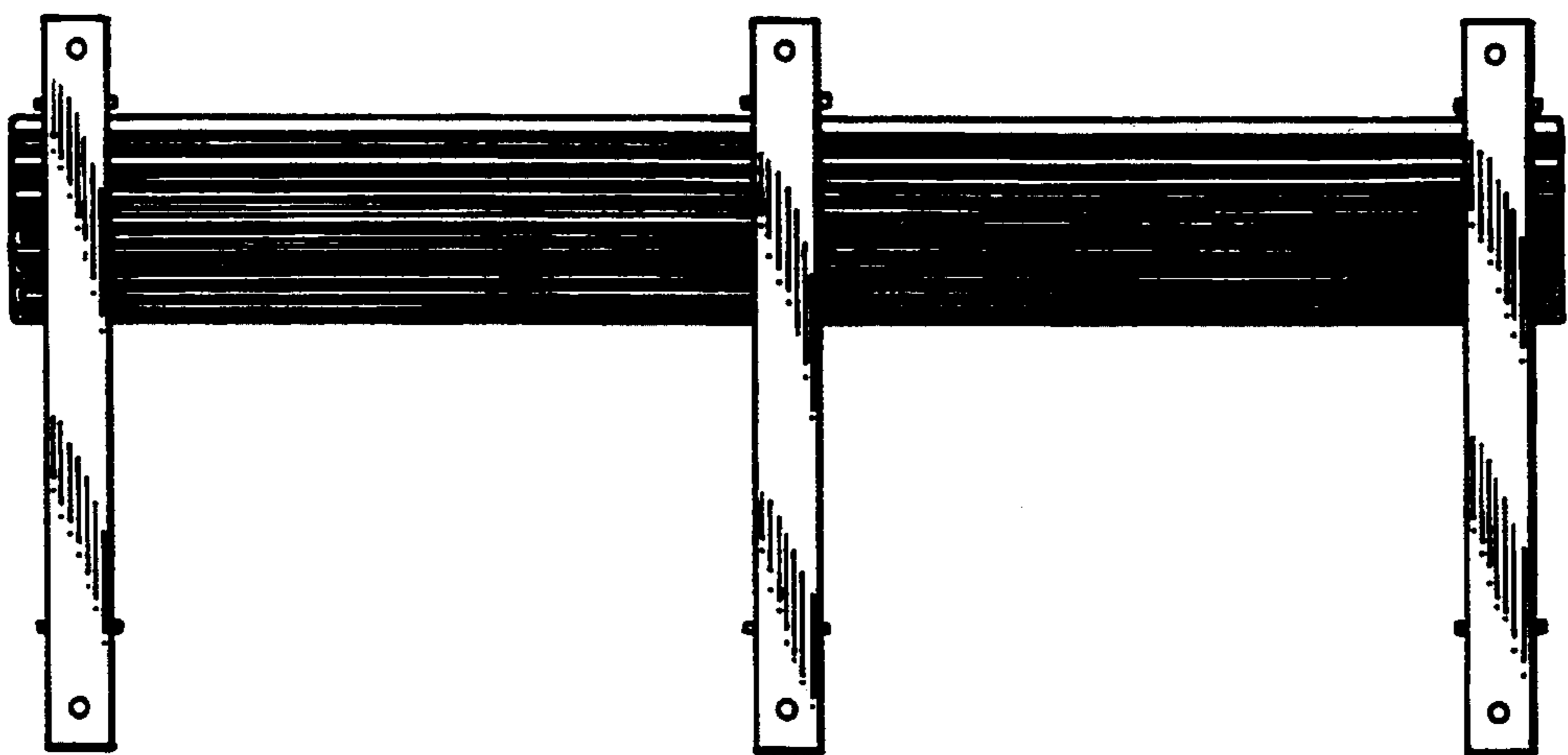


FIG. 7



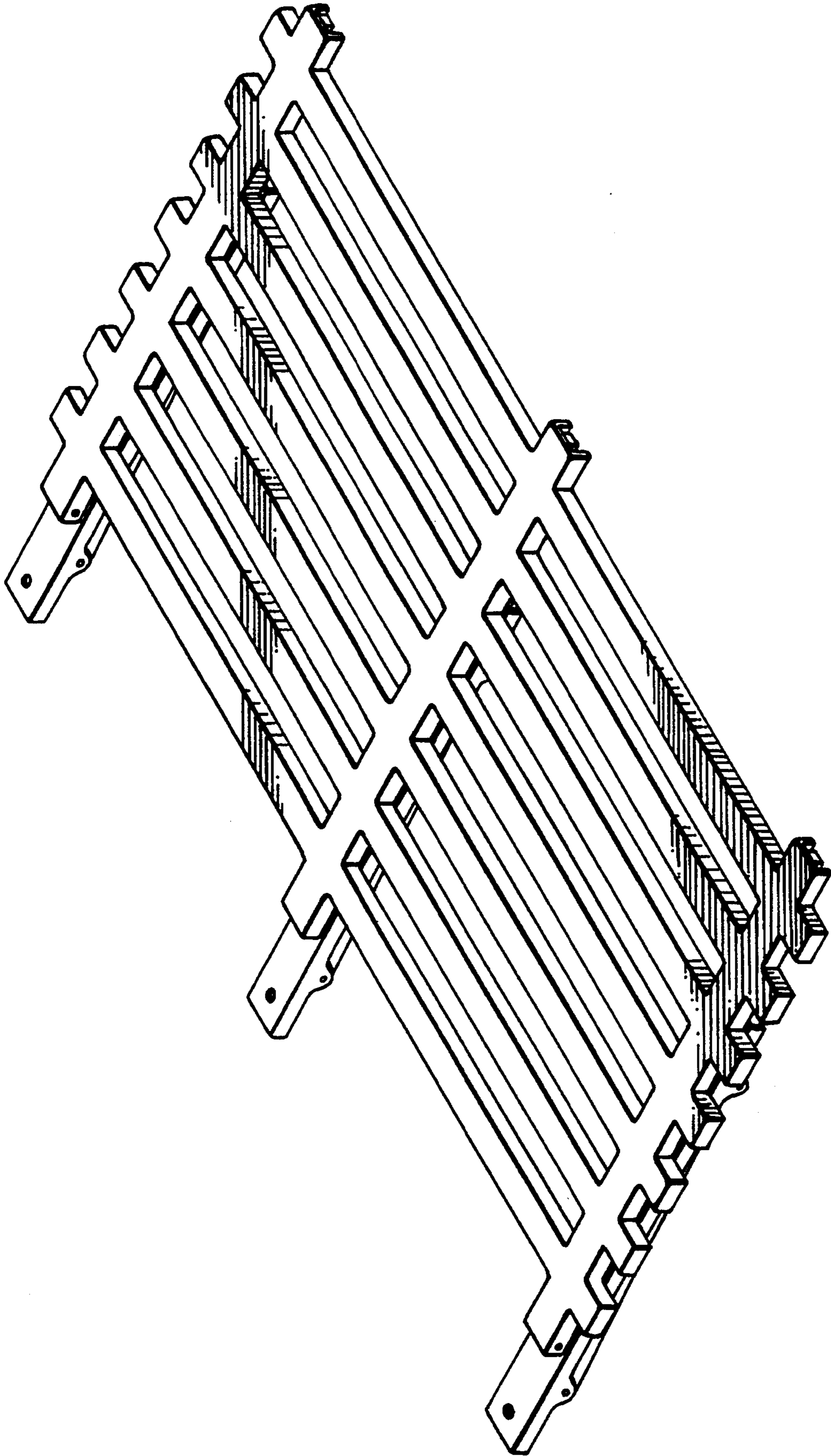


FIG. 8

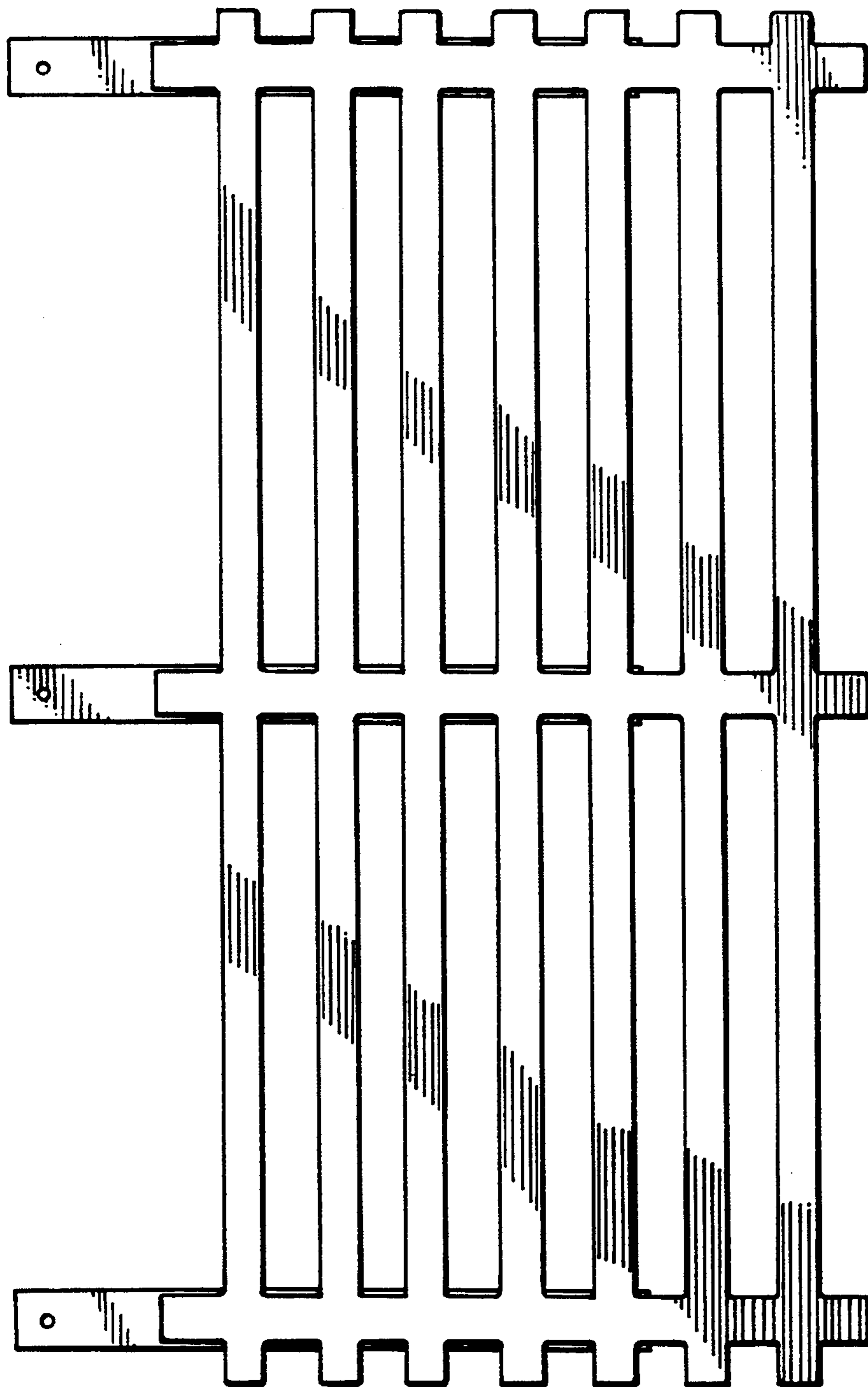


FIG. 9



FIG. 10

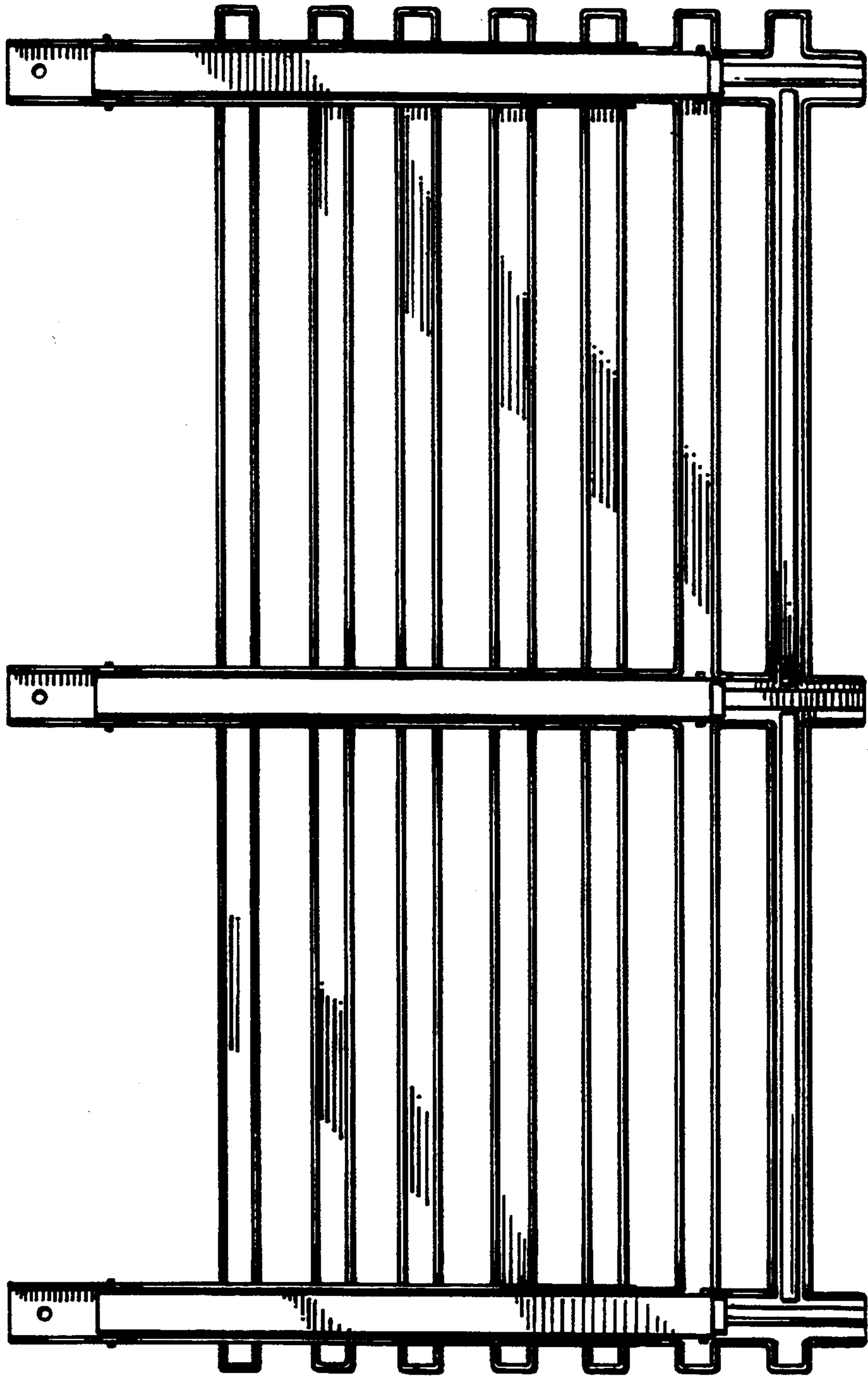


FIG. 11



FIG. 12

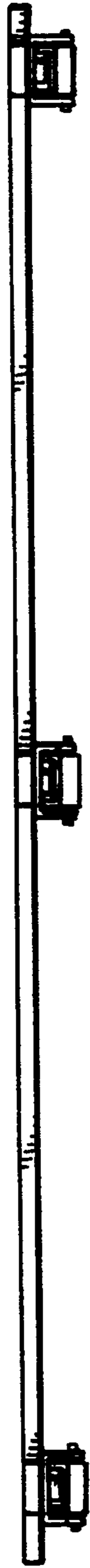


FIG. 13



FIG. 14