



US00D353205S

United States Patent [19]

[11] Patent Number: **Des. 353,205**

Canavan

[45] Date of Patent: **** Dec. 6, 1994**

[54] **HEATING PAD FOR NECK PAIN**

[76] Inventor: **Austin F. Canavan**, 3902 W. McLellan Blvd., Phoenix, Ariz. 85019

[**] Term: **14 Years**

[21] Appl. No.: **8,158**

[22] Filed: **May 12, 1993**

[52] U.S. Cl. **D24/206**

[58] Field of Search **607/96, 98, 108-112; 219/523, 527; D24/206, 200**

4,867,140 9/1989 Hovis .
 4,904,846 2/1990 Oscadal 219/523
 5,165,402 11/1992 McCoy 607/108

Primary Examiner—Stella Reid
Attorney, Agent, or Firm—Terry M. Gernstein

[57] CLAIM

The ornamental design for a heating pad for neck pain, as shown and described.

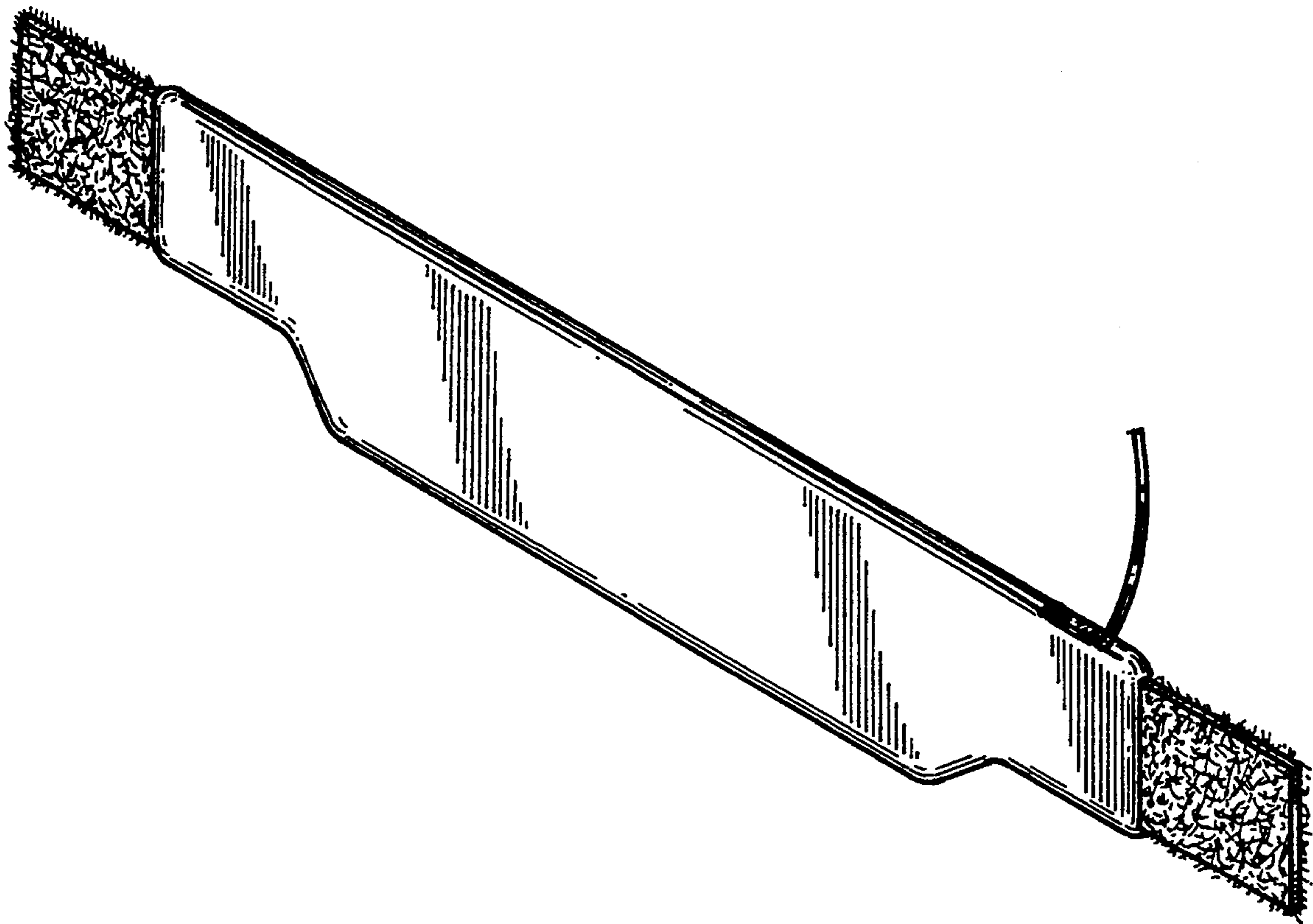
DESCRIPTION

FIG. 1 is a front, top and side perspective view of the heating pad for neck pain showing my new design;
 FIG. 2 is a front elevational view thereof, the rear being plain and unadorned;
 FIG. 3 is an end elevational view thereof;
 FIG. 4 is an end elevational view thereof;
 FIG. 5 is a top plan view thereof; and,
 FIG. 6 is a bottom plan view thereof.

[56] **References Cited**

U.S. PATENT DOCUMENTS

D. 294,971	3/1988	Wheeler	D24/206
D. 298,458	11/1988	Margolin et al.	D24/206
D. 324,422	3/1992	Powell	D24/206
2,590,212	3/1952	Samuels	219/527 X



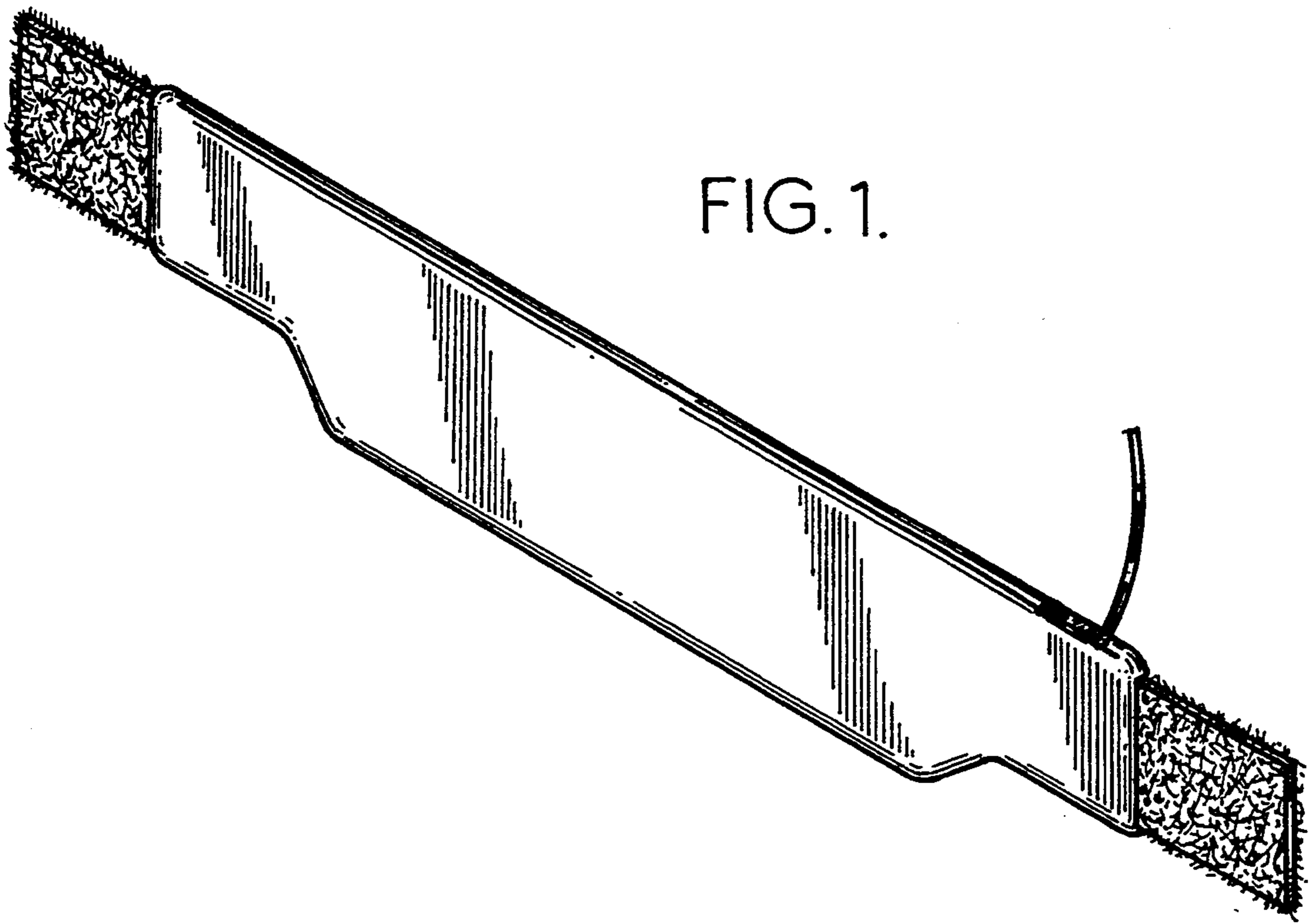


FIG. 1.

FIG. 2.

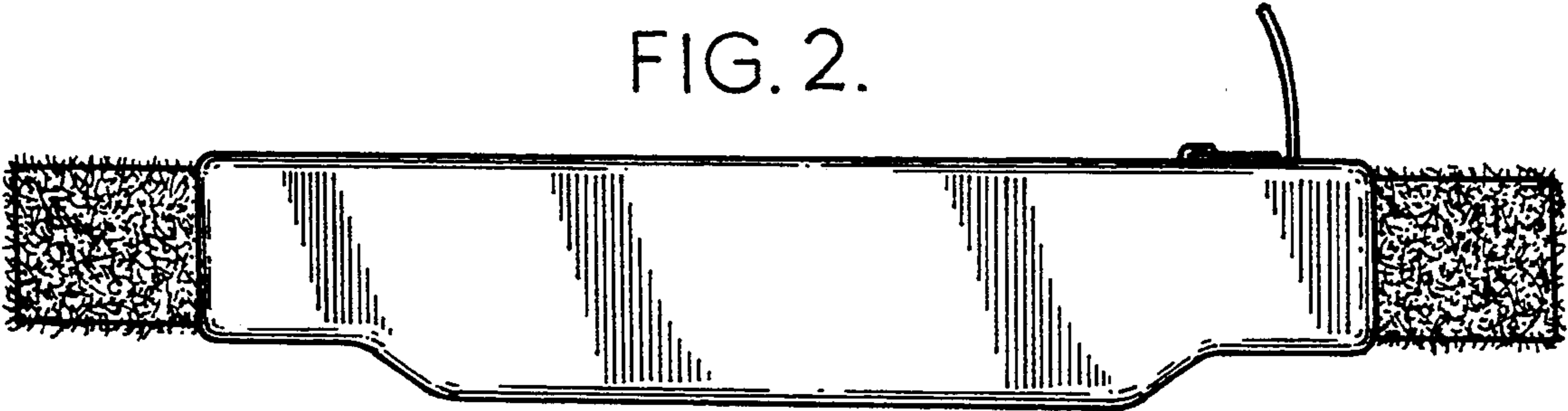


FIG. 3.



FIG. 4.



FIG. 5.

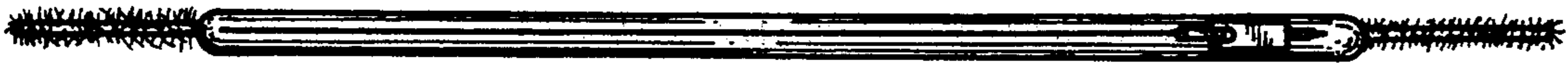


FIG. 6.

