



US00D353202S

United States Patent [19]
Hong

[11] **Patent Number: Des. 353,202**
[45] **Date of Patent: ** Dec. 6, 1994**

[54] **ABDOMINAL BREATHING BAND**
[76] **Inventor: Min S. Hong, #601, Hansung Bldg., 200-1, Moy-dong, Chongno-gu, Seoul, Rep. of Korea**
[**] **Term: 14 Years**
[21] **Appl. No.: 788,757**
[22] **Filed: Nov. 7, 1991**
[52] **U.S. Cl. D24/190; D24/164**
[58] **Field of Search 482/13; 602/19; D24/190, 164; D21/191, 237**

4,506,883 3/1985 Rathbun 482/13

Primary Examiner—Stella Reid
Attorney, Agent, or Firm—Flynn, Thiel, Boutell & Tanis

[57] **CLAIM**

The ornamental design for an abdominal breathing band, as shown and described.

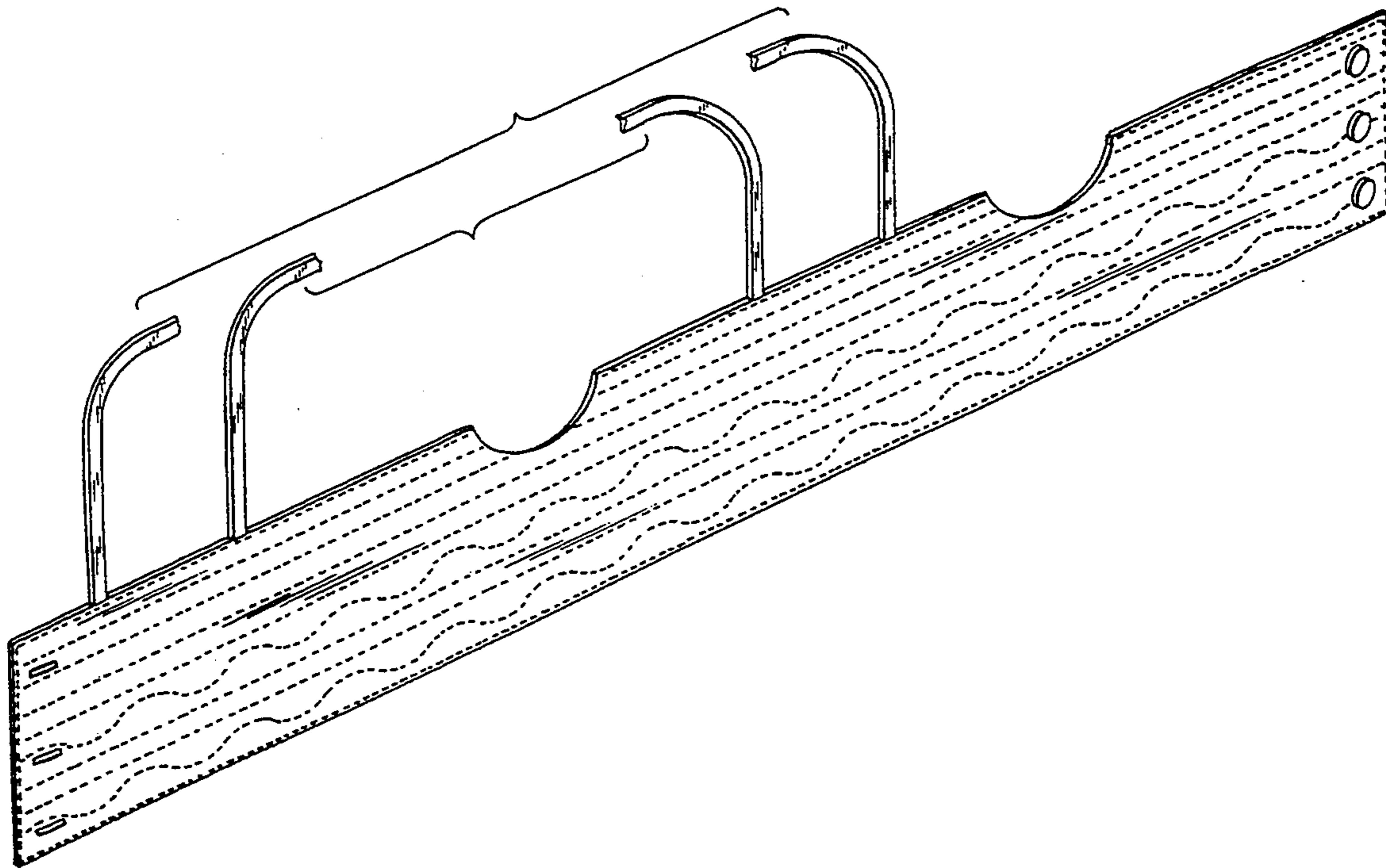
DESCRIPTION

FIG. 1 is a perspective view of an abdominal breathing band, showing my new design;
FIG. 2 is a front elevational view thereof, the rear elevational view being identical thereto;
FIG. 3 is a top plan view thereof;
FIG. 4 is a bottom plan view thereof;
FIG. 5 is a right side elevational view thereof, the left side elevational view being identical thereto; and,
FIG. 6 is a perspective view thereof in use, the broken line showing is for illustrative purposes only.

[56] **References Cited**

U.S. PATENT DOCUMENTS

D. 278,657 4/1985 Nakao et al. D24/190
D. 318,126 7/1991 Woodhouse D24/190
1,074,846 10/1913 Dickman D24/190 X
1,647,299 11/1927 Konig D24/190 X



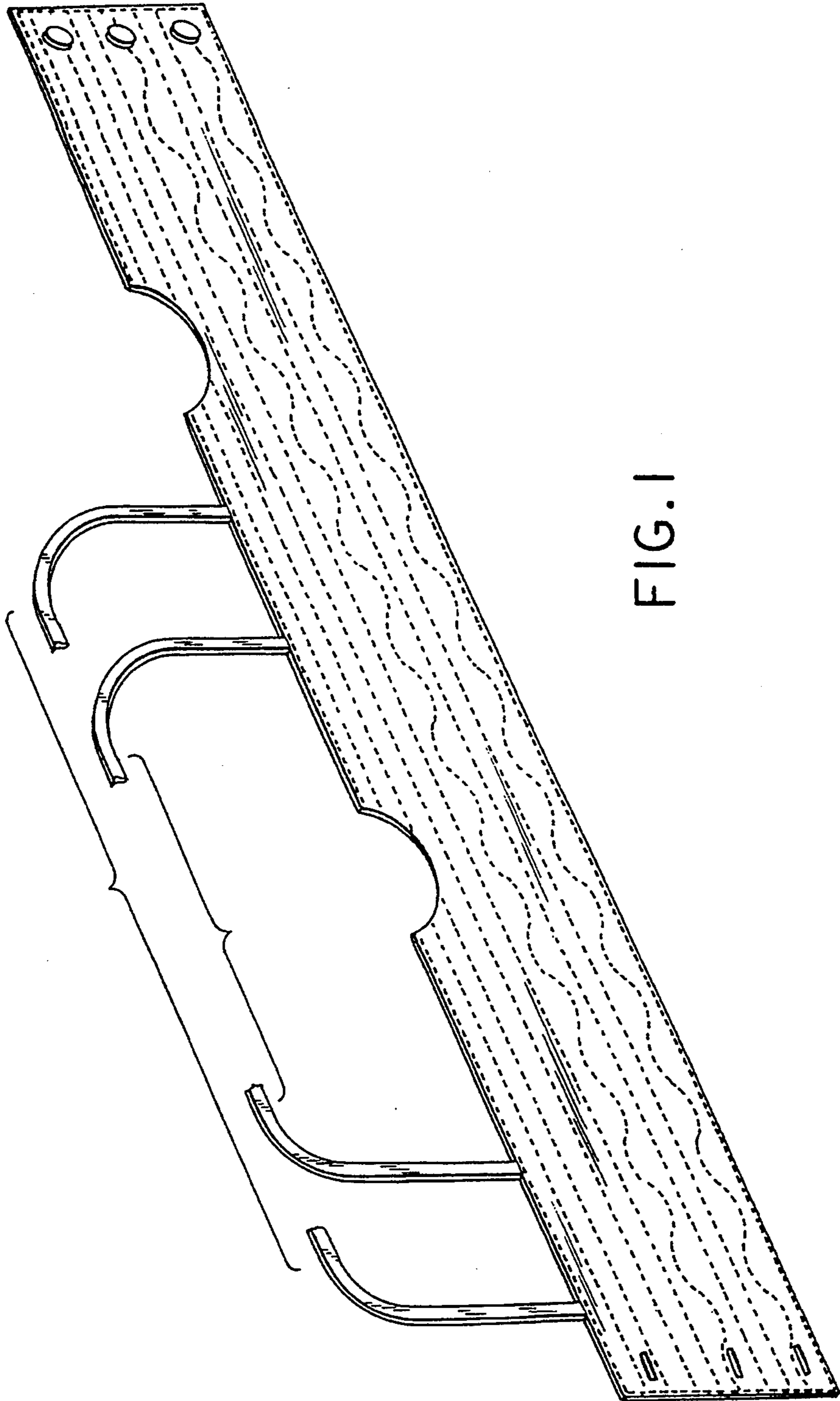


FIG. 1

FIG. 2

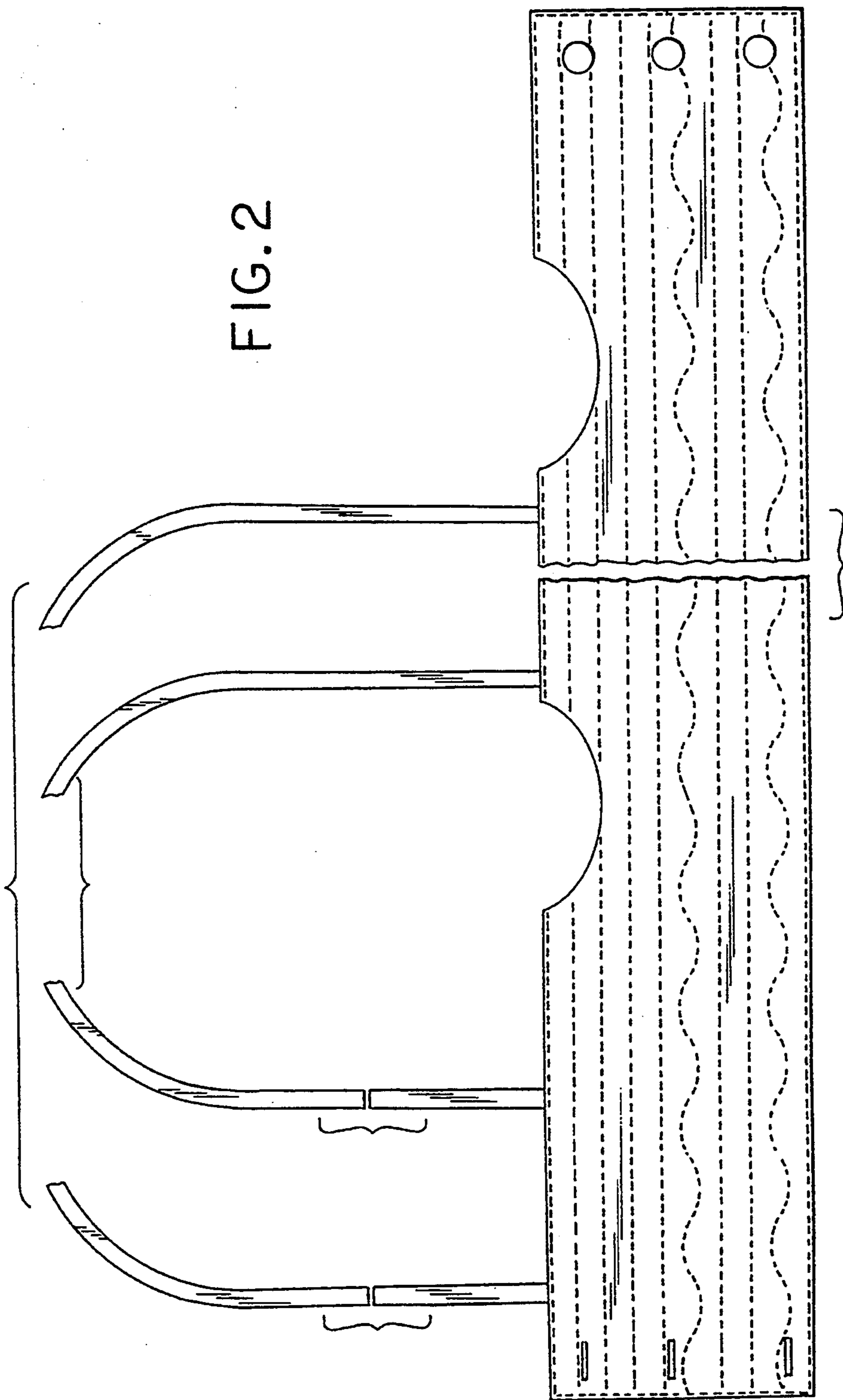


FIG. 3



FIG. 4



FIG. 5

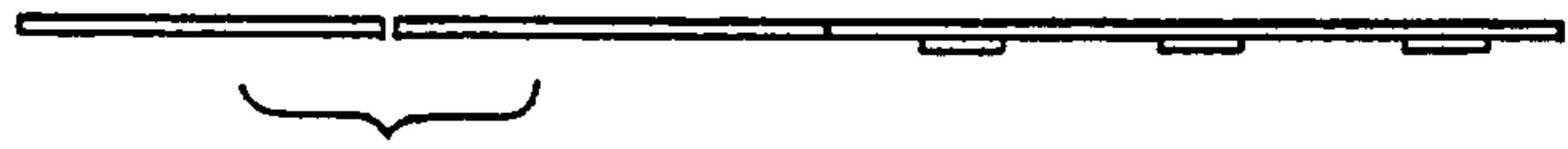


FIG. 6

