



US00D353200S

United States Patent [19]

[11] Patent Number: Des. 353,200

Martin

[45] Date of Patent: ** Dec. 6, 1994

[54] DENTAL CLAMP

[76] Inventor: Howard Martin, 909 Pershing Dr., Silver Spring, Md. 20910

[**] Term: 14 Years

[21] Appl. No.: 692,077

[22] Filed: Apr. 26, 1991

[52] U.S. Cl. D24/176

[58] Field of Search 433/136-140;
D24/176-182

OTHER PUBLICATIONS

S.S. White General Catalog 1965 Edition, pp. 111-112, Rubber-dam clamps.

Primary Examiner—Wallace R. Burke

Assistant Examiner—M. H. Tung

Attorney, Agent, or Firm—Walter G. Finch

[57] CLAIM

The ornamental design of a dental clamp, as shown and described.

[56] References Cited

U.S. PATENT DOCUMENTS

| | | | |
|-----------|---------|------------|-----------|
| 158,376 | 1/1875 | Hickman | 433/139 |
| 658,179 | 9/1900 | Ivory | 433/139 |
| 3,992,781 | 11/1976 | Sturdivant | 433/138 |
| 4,004,345 | 1/1977 | Ely | 433/139 |
| 4,310,308 | 1/1982 | Oien | 433/136 X |
| 4,661,063 | 4/1987 | Levy | 433/139 |
| 4,986,752 | 1/1991 | Graves | 433/139 X |

DESCRIPTION

FIG. 1 is a perspective view of a dental clamp showing my new design;

FIG. 2 is a top plan view thereof;

FIG. 3 is a front elevational view thereof;

FIG. 4 is a fragmentary right perspective view thereof;

FIG. 5 is a fragmentary left perspective view thereof;

FIG. 6 is a rear elevational view thereof; and,

FIG. 7 is a bottom plan view thereof.

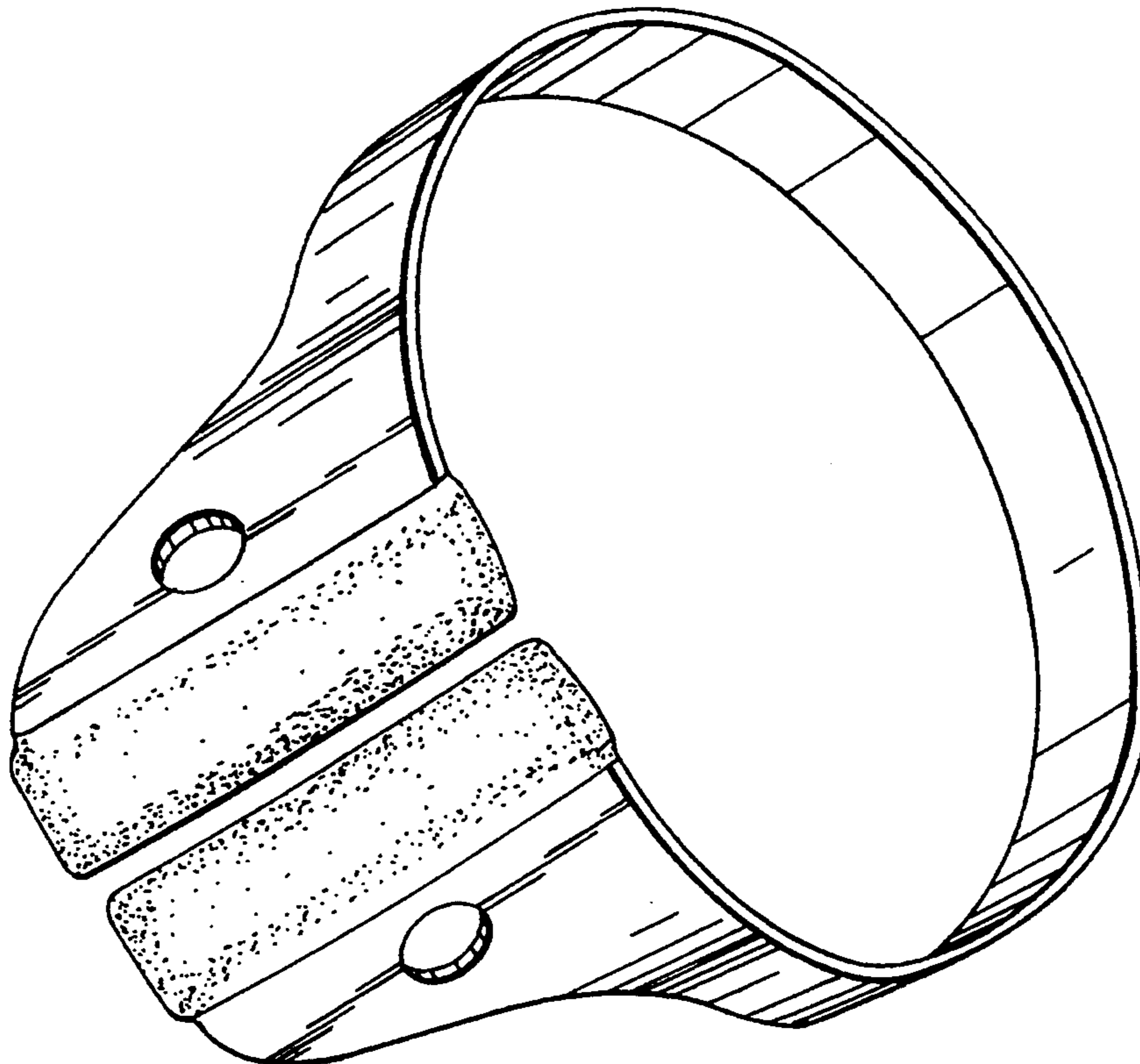


Fig. 1

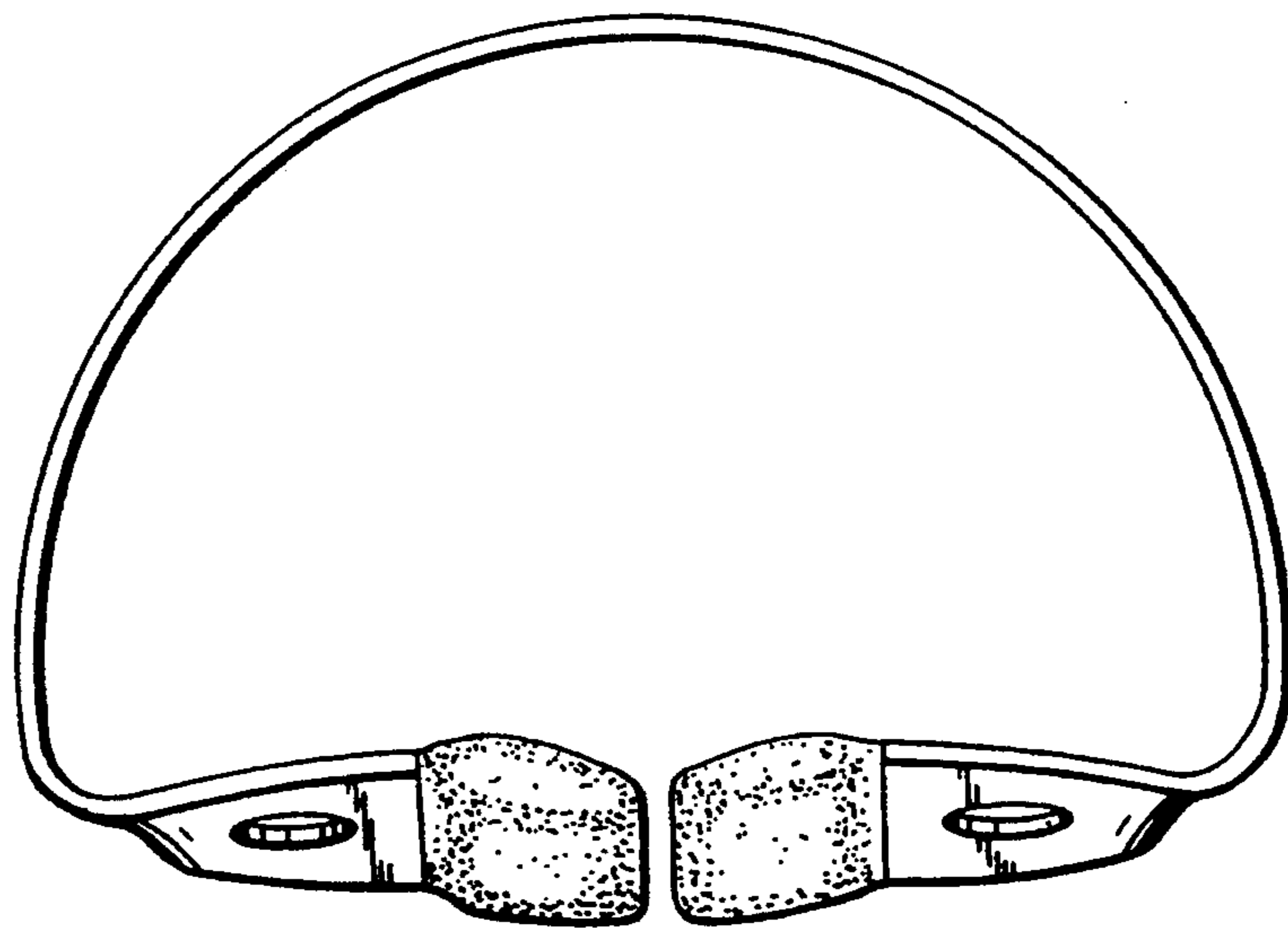
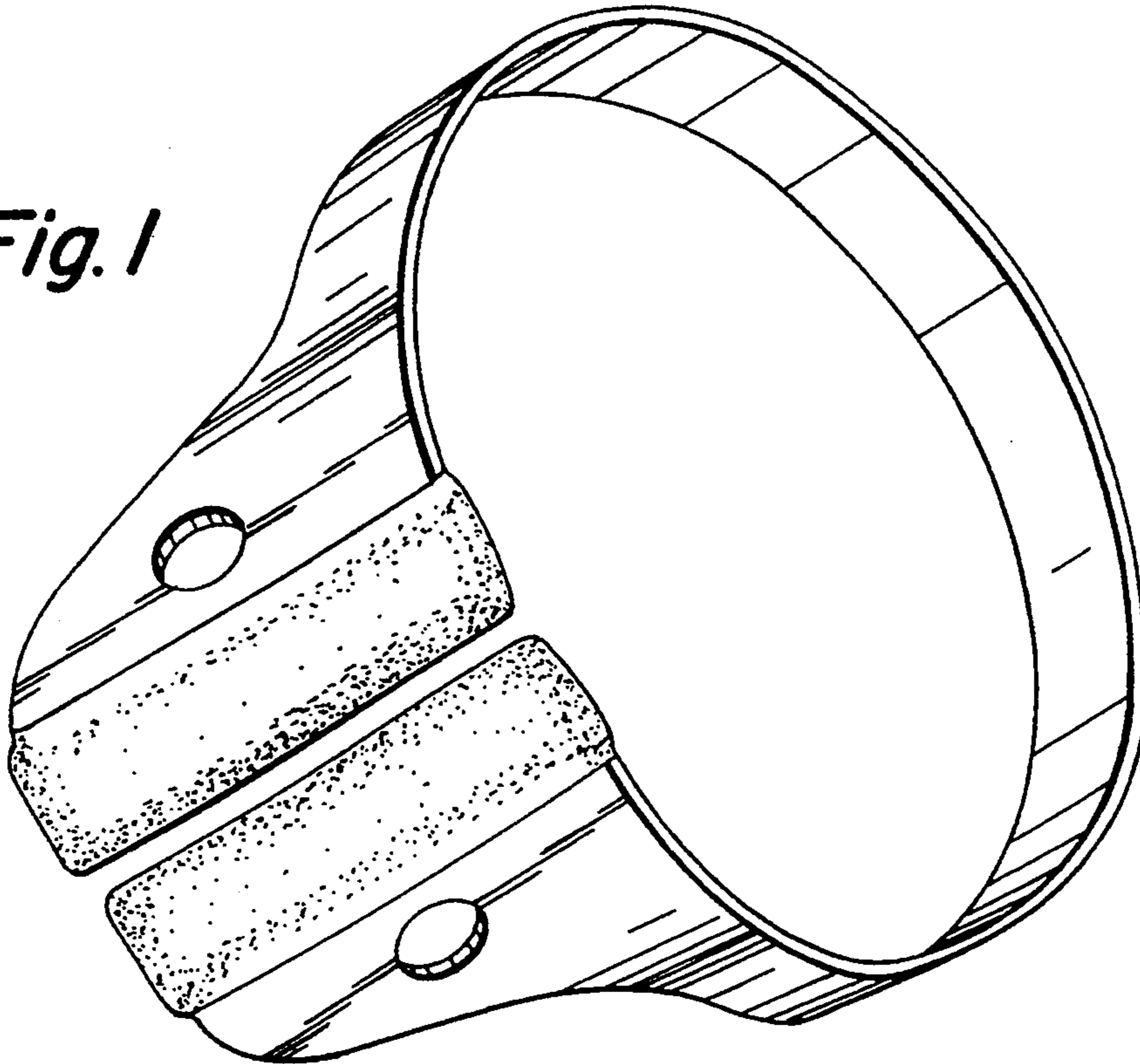


Fig. 2

Fig. 3

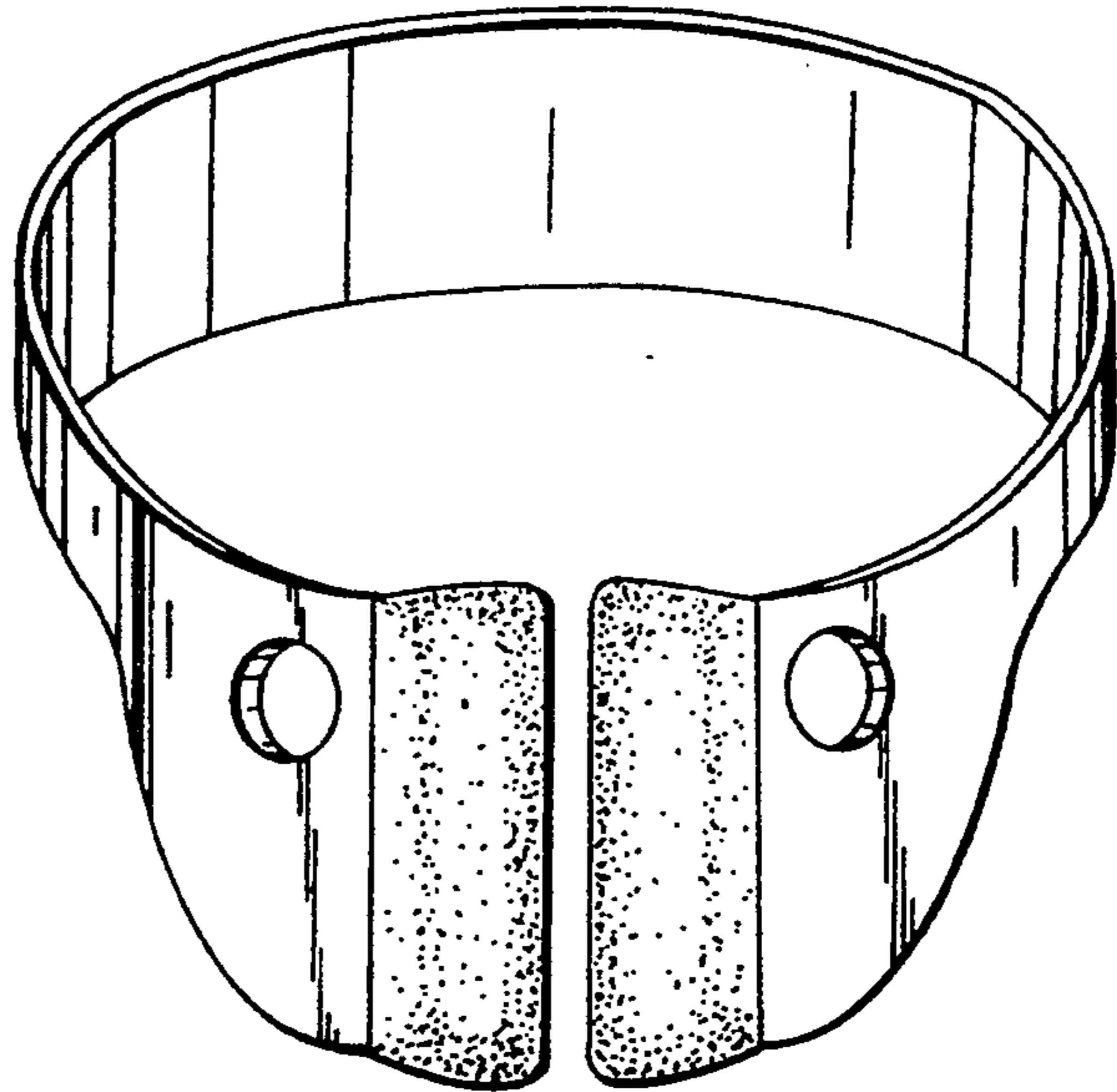


Fig. 4

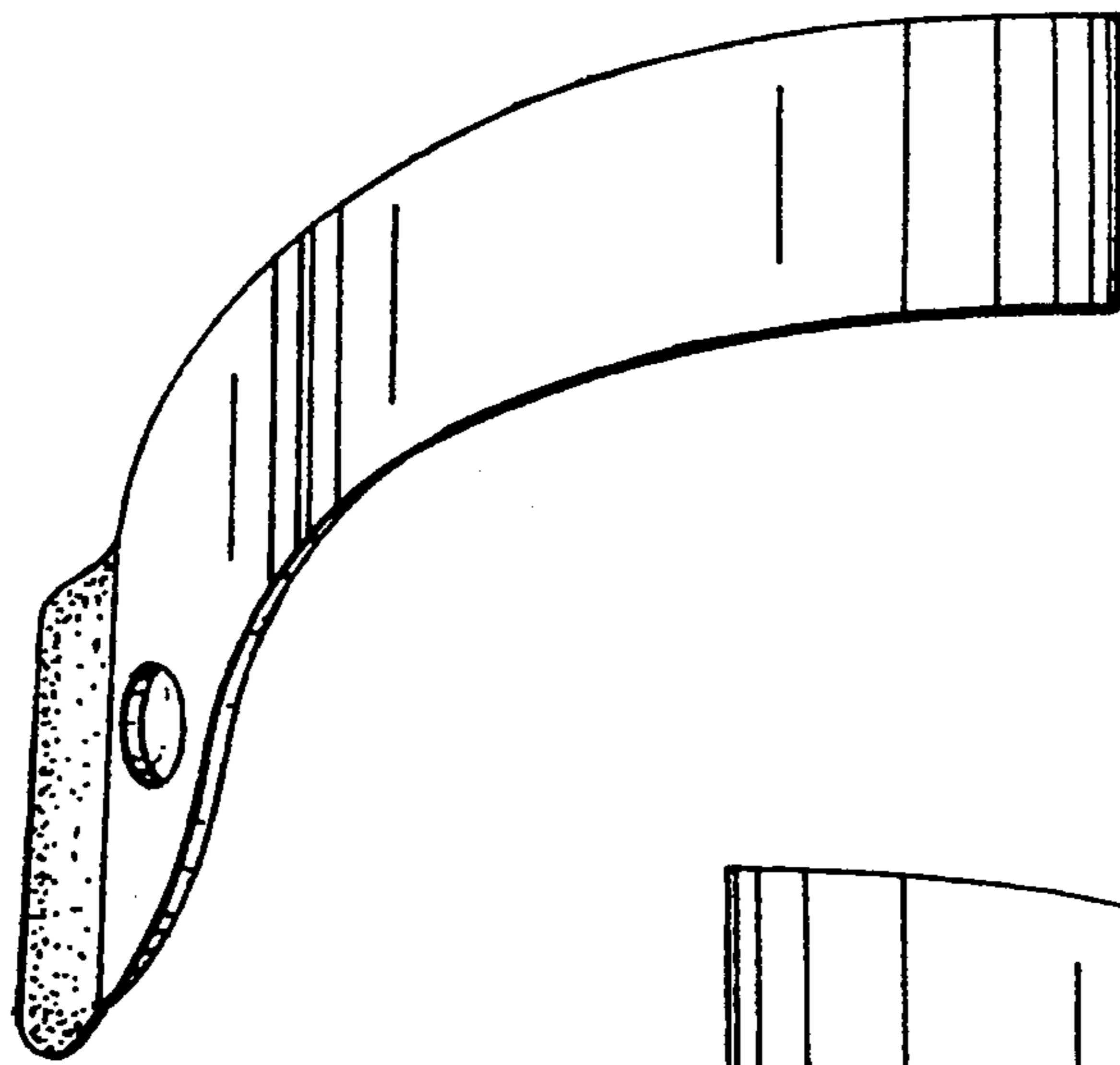
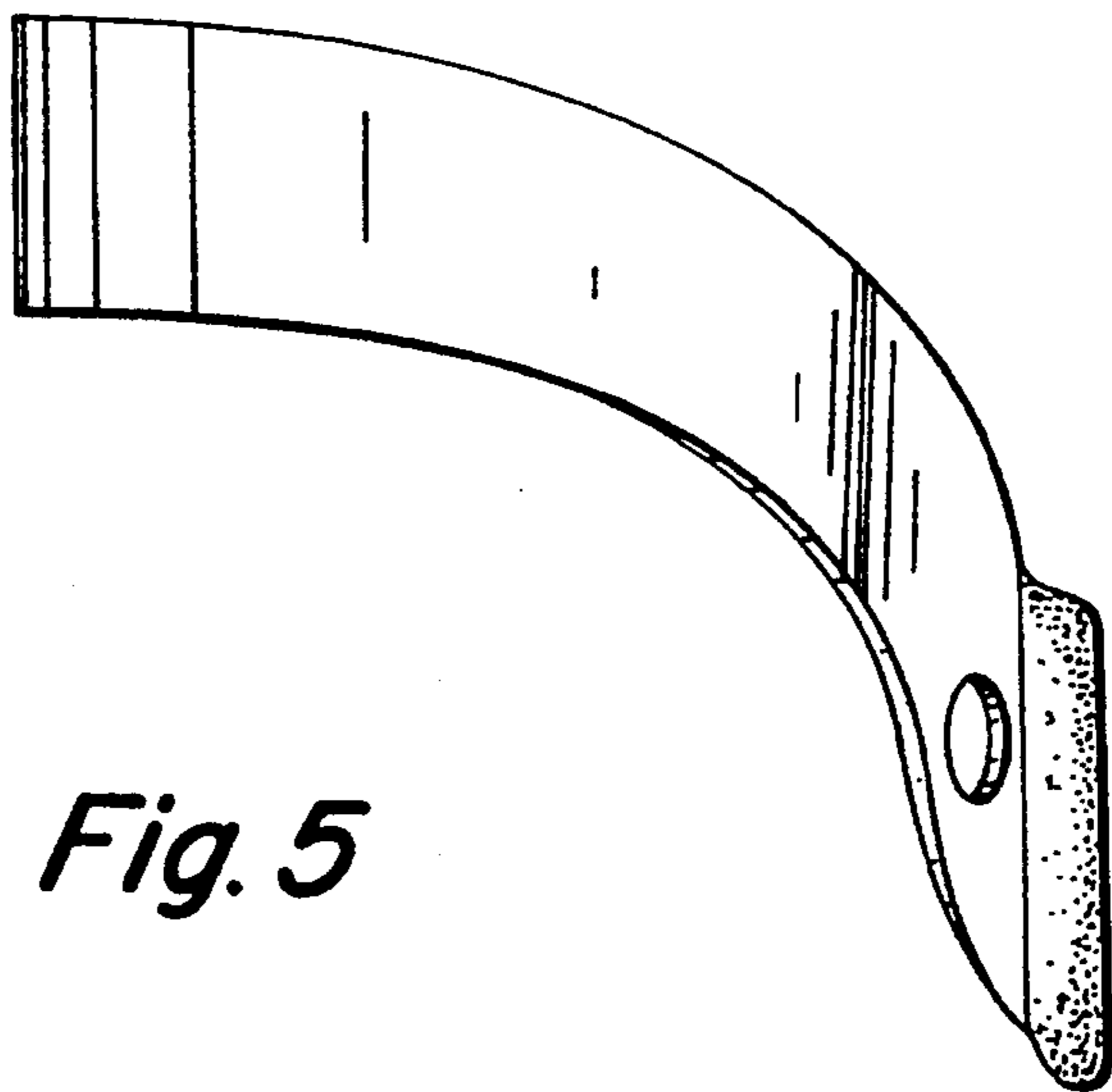


Fig. 5



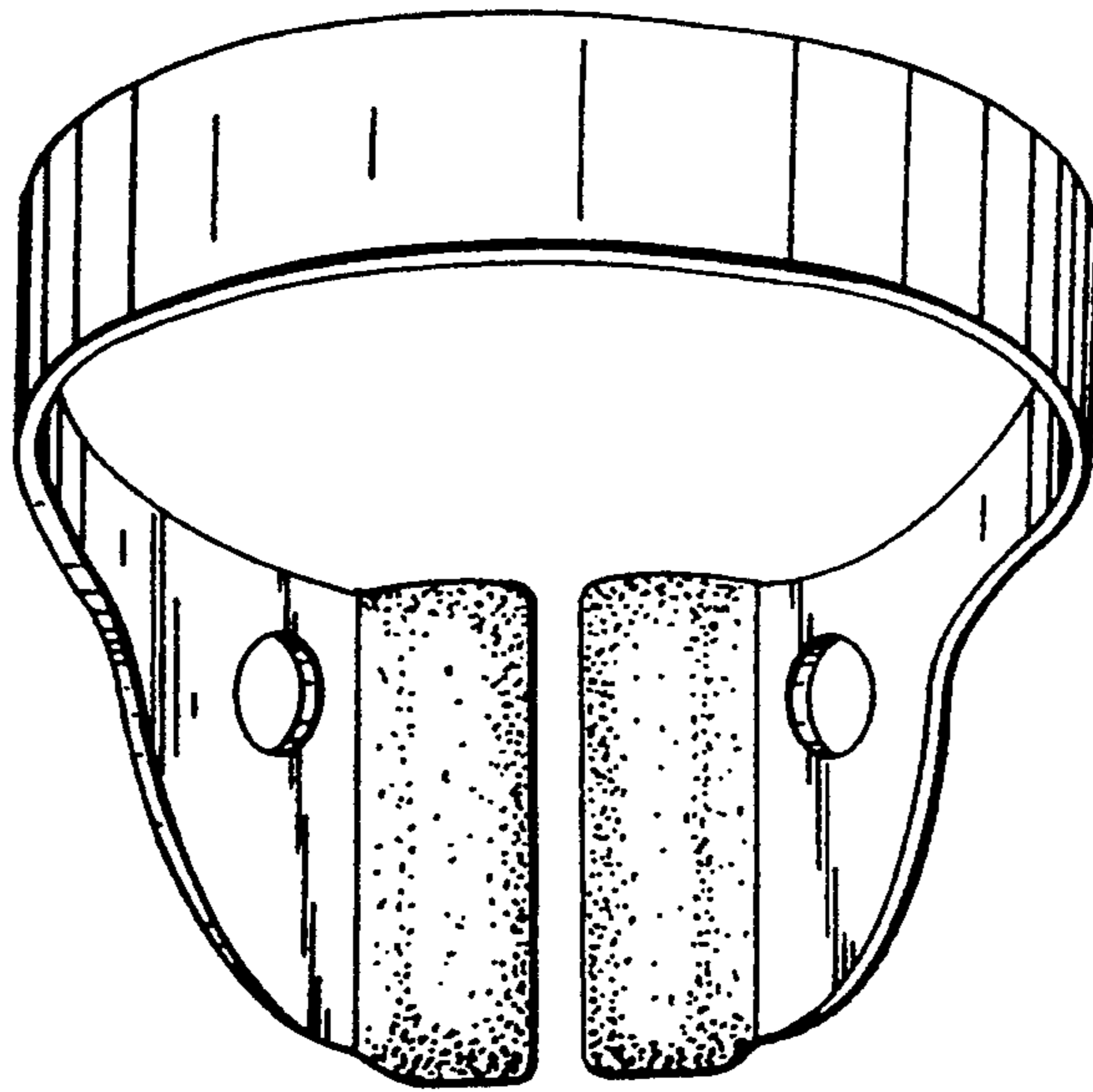


Fig. 6

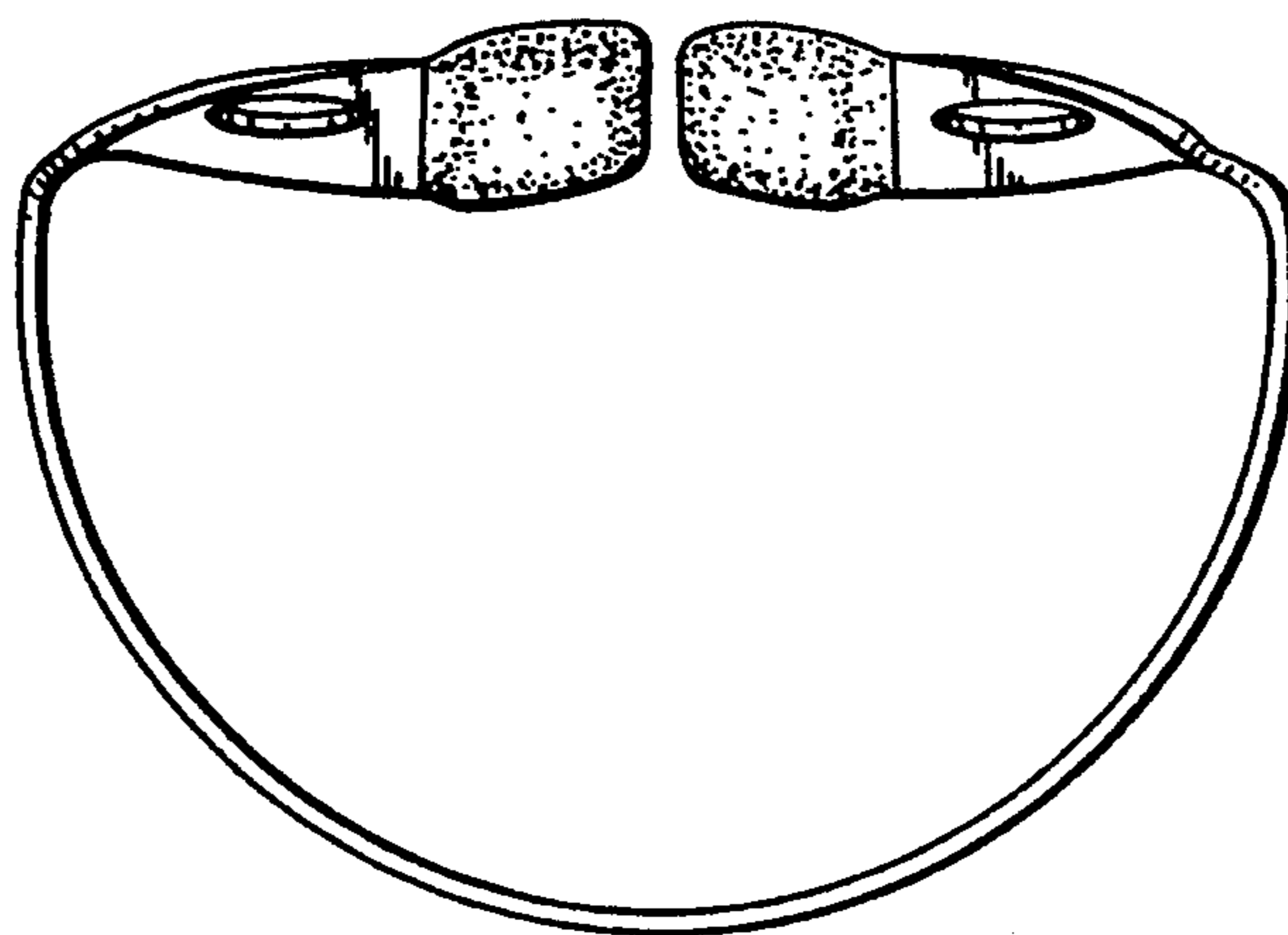


Fig. 7