



US00D353198S

United States Patent [19]

[11] Patent Number: Des. 353,198

Blasdell et al.

[45] Date of Patent: ** Dec. 6, 1994

[54] GAS FLOW CONTROLLER

4,278,110 7/1981 Price et al. 128/204.26 X

[75] Inventors: Richard J. Blasdell, Phoenix;
Raymond L. Blasdell, Litchfield
Park, both of Ariz.

Primary Examiner—Stella Reid
Assistant Examiner—Eric Watterson
Attorney, Agent, or Firm—Don J. Flickinger; Jordan M.
Meschkow; Robert A. Parsons

[73] Assignee: Accutron, Inc., Phoenix, Ariz.

[57] CLAIM

[**] Term: 14 Years

The ornamental design for a gas flow controller, as
shown and described.

[21] Appl. No.: 850,784

DESCRIPTION

[22] Filed: Mar. 13, 1992

[52] U.S. Cl. D24/164; D24/129

FIG. 1 is a perspective view of a gas flow controller,
showing our new design;
FIG. 2 is a top plan view;
FIG. 3 is a left side elevational view;
FIG. 4 is a left end elevational view;
FIG. 5 is a right side elevational view;
FIG. 6 is a right end elevational view; and,
FIG. 7 is a bottom plan view.

[58] Field of Search 128/204.25, 204.26,
128/205.24, 206.15, 207.12, 207.18; D23/164

[56] References Cited

U.S. PATENT DOCUMENTS

3,073,298 1/1963 Stanton 128/205.24 X
3,952,773 4/1976 Hohn 128/204.26 X

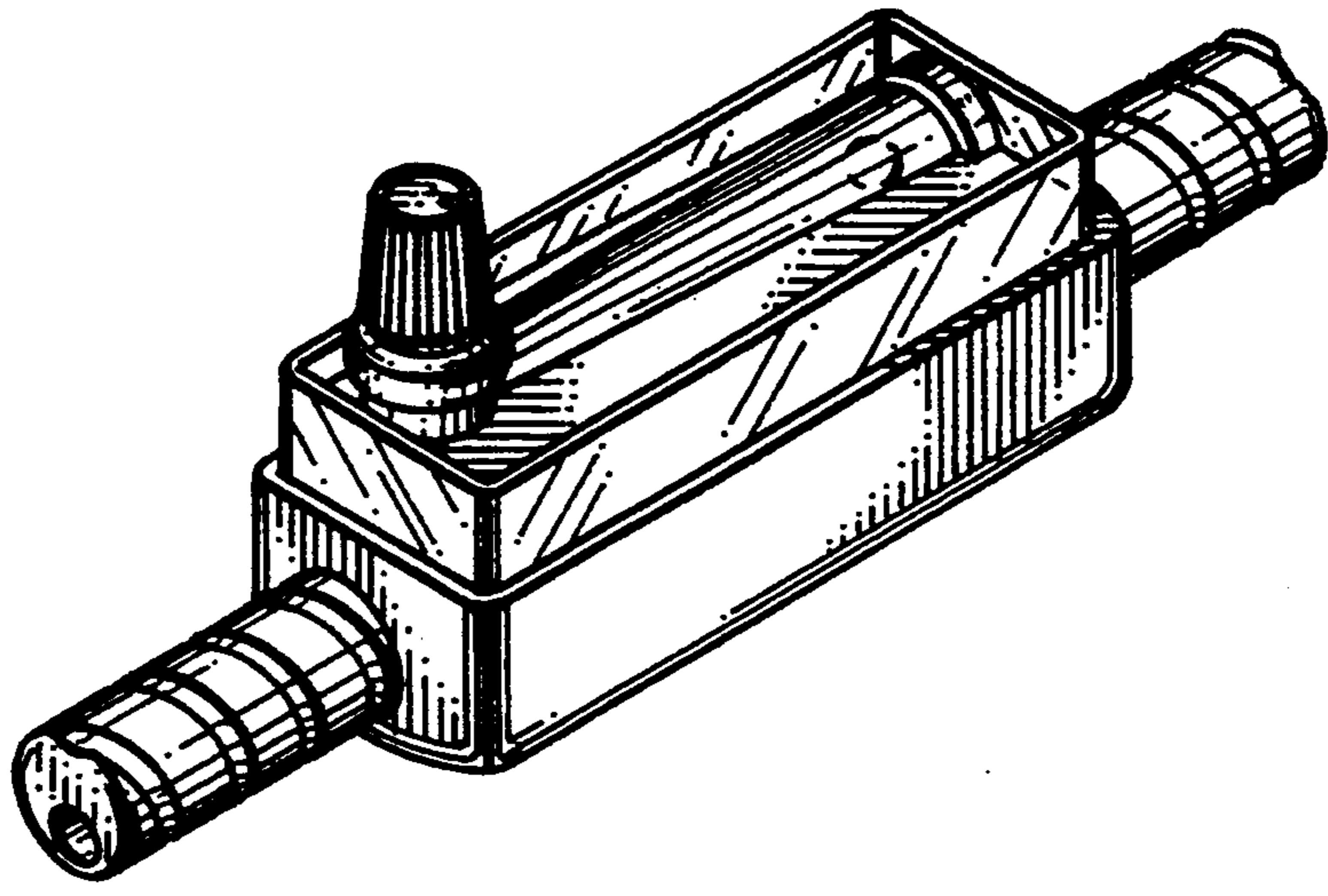


FIG. 1

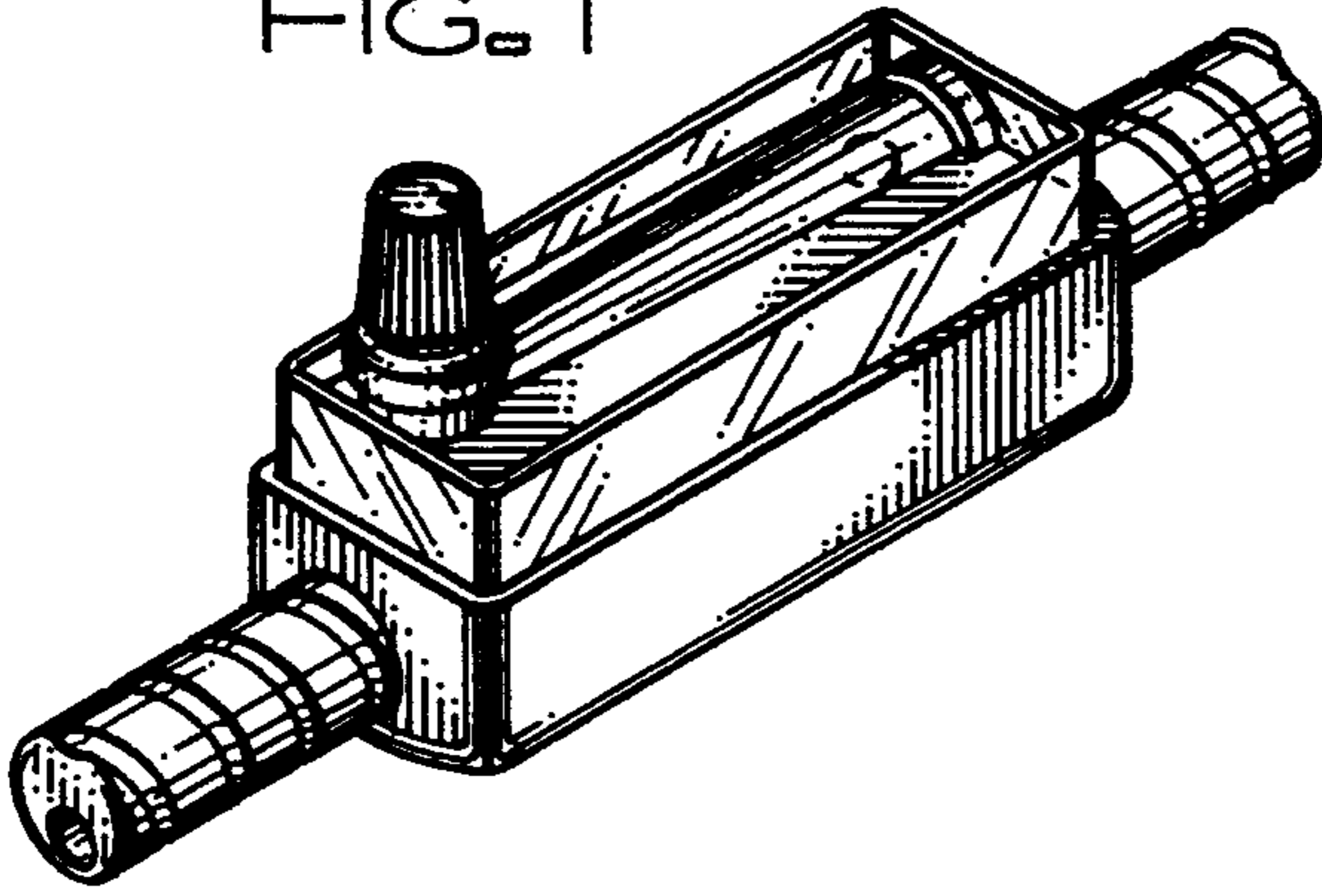


FIG. 2

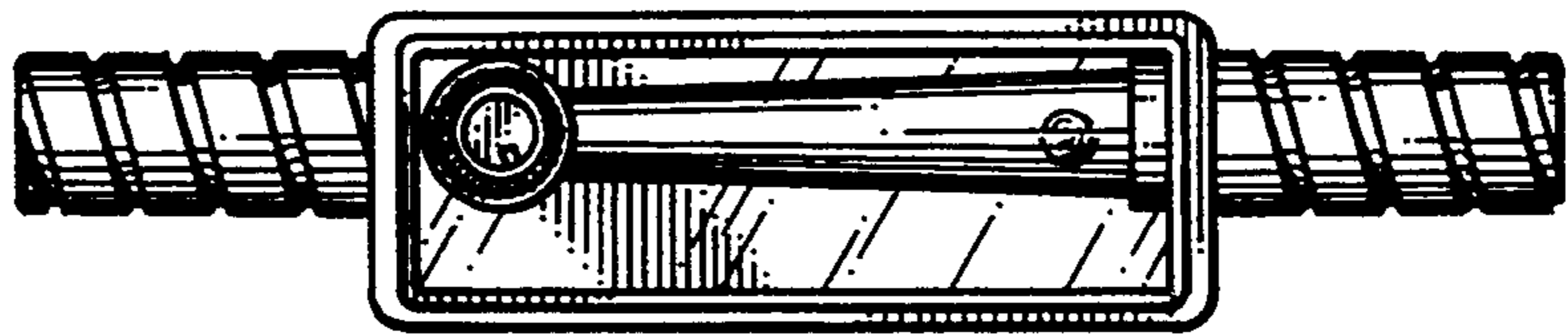


FIG. 3

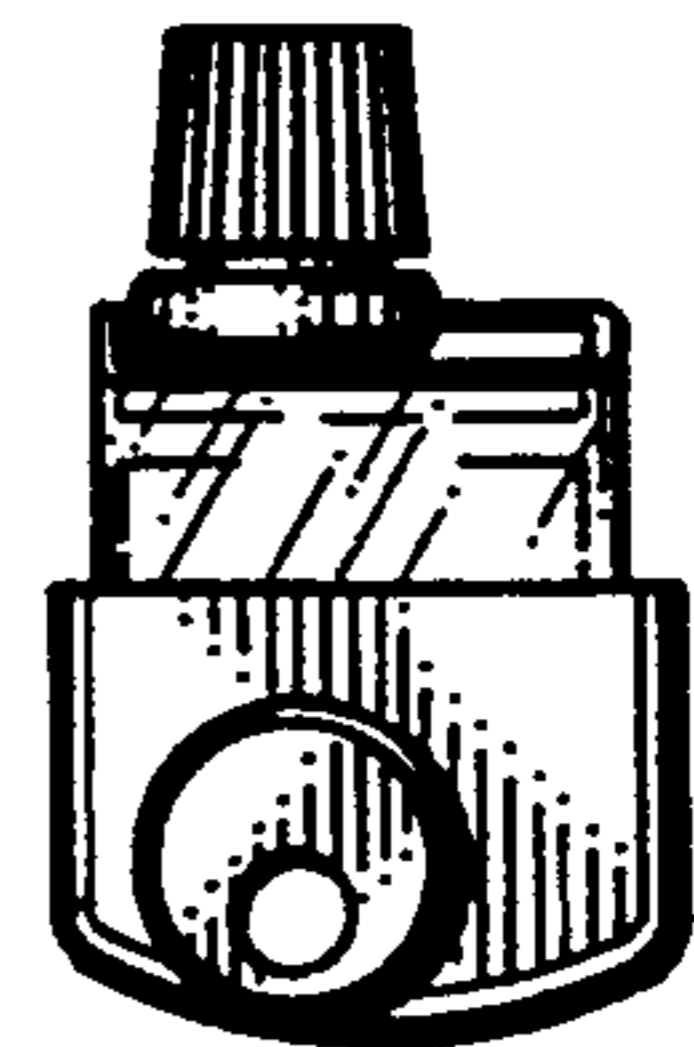
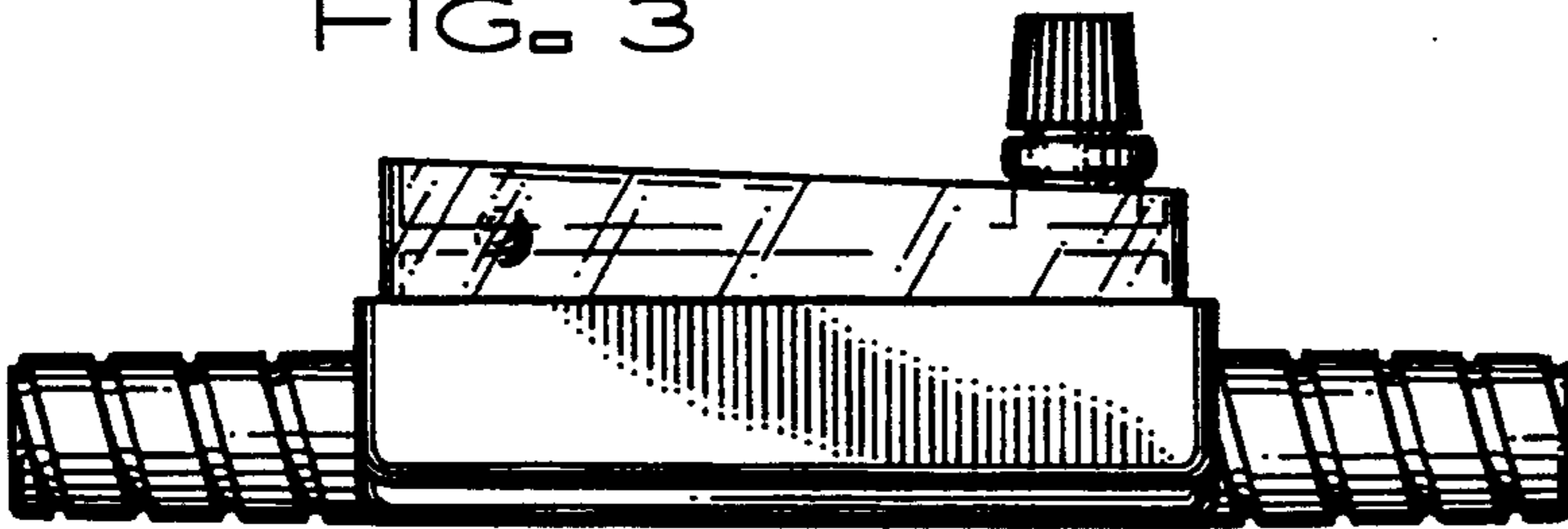


FIG. 4

FIG. 5

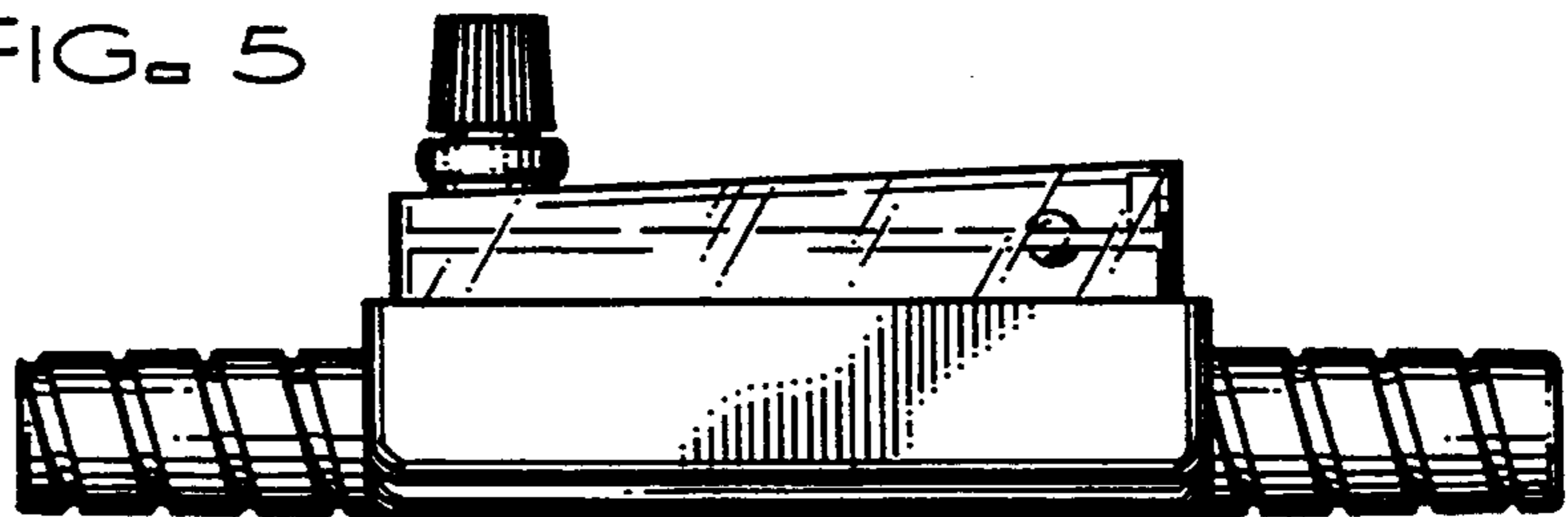


FIG. 6

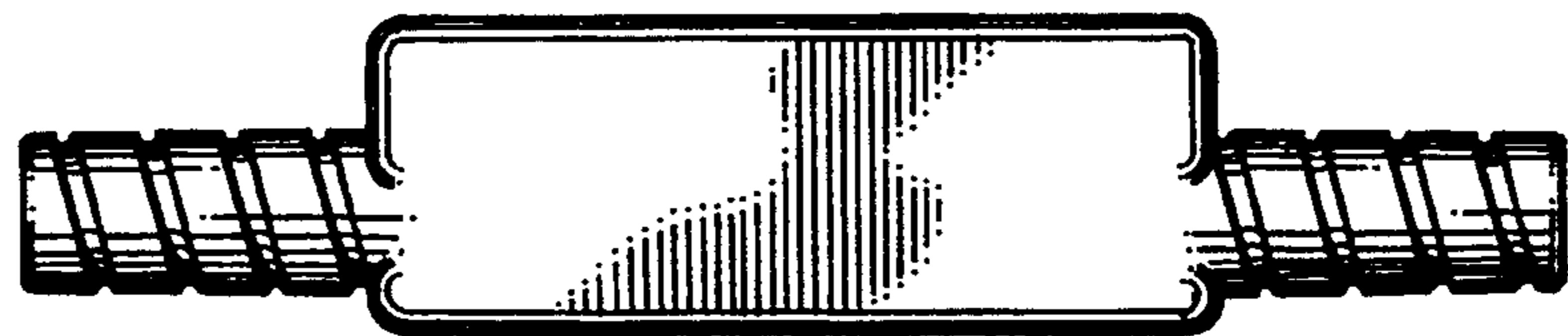


FIG. 7