



US00D353197S

United States Patent [19]

[11] Patent Number: **Des. 353,197**

Hawks

[45] Date of Patent: **** Dec. 6, 1994**

[54] **RECTAL SPECULUM**

[76] Inventor: **Robert A. Hawks, 17215 Lime Rock Dr., Sun City, Ariz. 85373**

[**] Term: **14 Years**

[21] Appl. No.: **7,131**

[22] Filed: **Apr. 15, 1993**

[52] U.S. Cl. **D24/135; D24/112**

[58] Field of Search **128/3, 750, 752; 604/275, 33, 43, 39, 35, 902, 119, 19; D24/108, 135, 112, 111, 133**

[56] **References Cited**

U.S. PATENT DOCUMENTS

D. 262,577	1/1982	Anderson	D24/112
D. 282,204	1/1986	Holt	D24/18
1,518,211	12/1924	Maye	604/275 X
2,458,719	4/1929	Hertzberg	.	
2,458,719	1/1949	McCormick	128/229
2,470,293	5/1949	D'Angelo	604/275 X
3,459,175	8/1969	Miller	D24/112 X
4,325,370	4/1982	Young	128/245
4,842,580	6/1989	Ouelette	604/30
4,874,363	10/1989	Abell	604/28
4,943,285	7/1990	Hawks	604/275
5,176,630	1/1993	Schilling et al.	604/275 X

Primary Examiner—A. Hugo Word

Assistant Examiner—I. Simmons

Attorney, Agent, or Firm—Cahill, Sutton & Thomas

[57] **CLAIM**

The ornamental design for a rectal speculum, as shown and described.

DESCRIPTION

FIG. 1 is a top, front and right side perspective view of a rectal speculum showing my new design;

FIG. 2 is a right side elevational view;

FIG. 3 is a top plan view;

FIG. 4 is an inverted left side elevational view;

FIG. 5 is a bottom plan view;

FIG. 6 is a rear elevational view;

FIG. 7 is a front elevational view;

FIG. 8 is a top front right side perspective view of a second embodiment of a rectal speculum showing my new design;

FIG. 9 is a right side elevational view of FIG. 8;

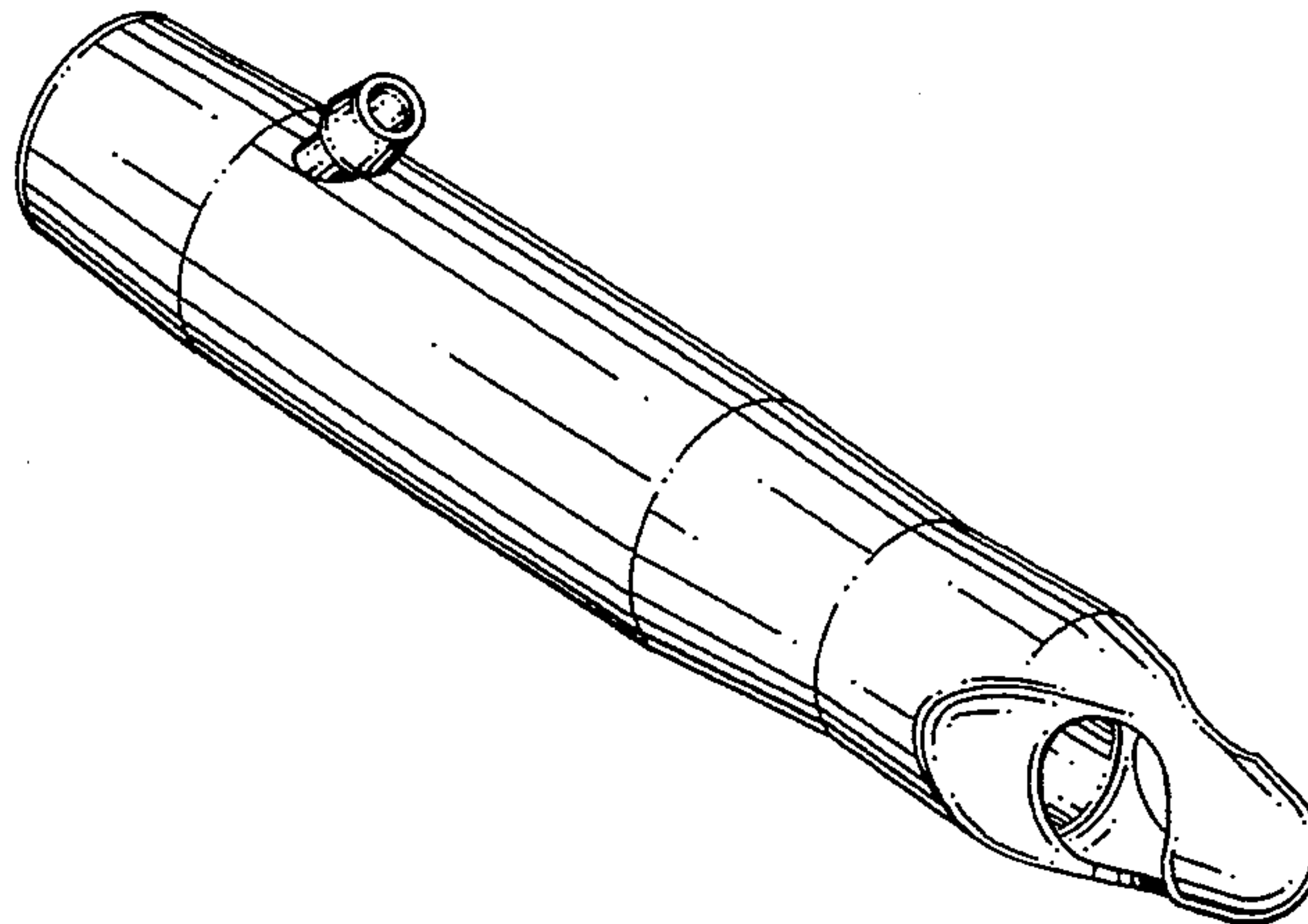
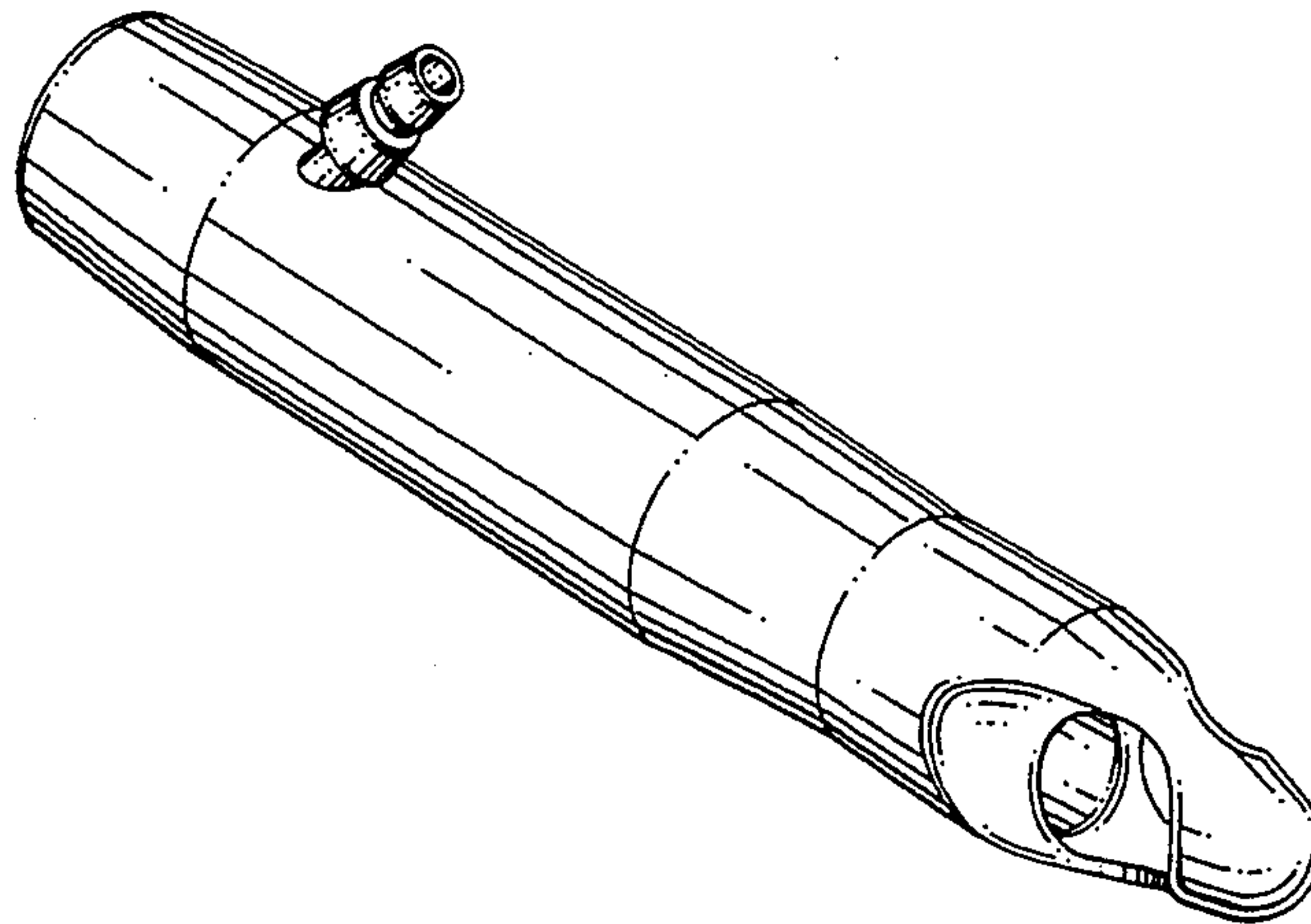
FIG. 10 is a top plan view of FIG. 8;

FIG. 11 is an inverted left side elevational view FIG. 8;

FIG. 12 is a bottom plan view of FIG. 8;

FIG. 13 is a rear elevational view FIG. 8; and,

FIG. 14 is a front elevational view FIG. 8.



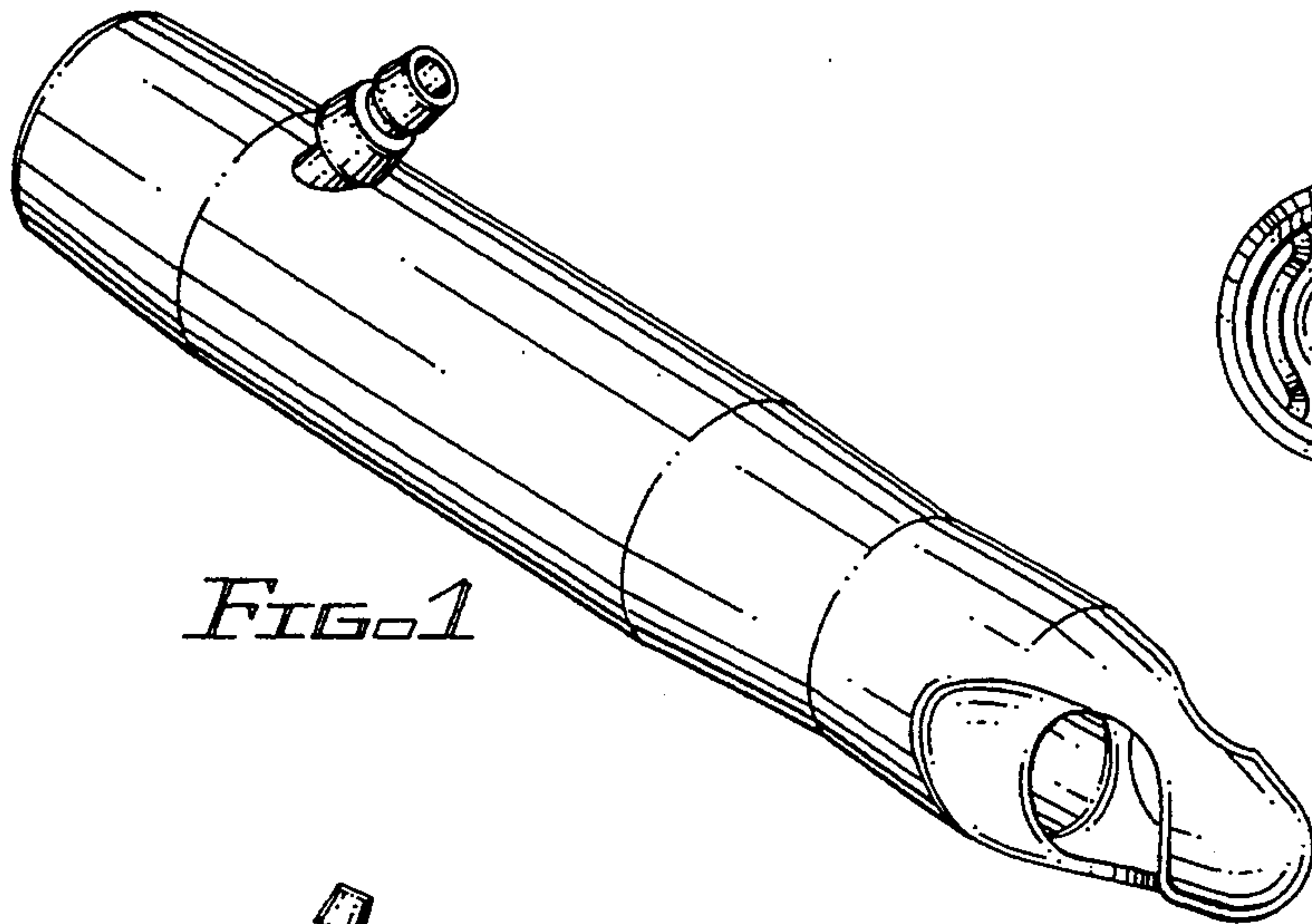


FIG. 1

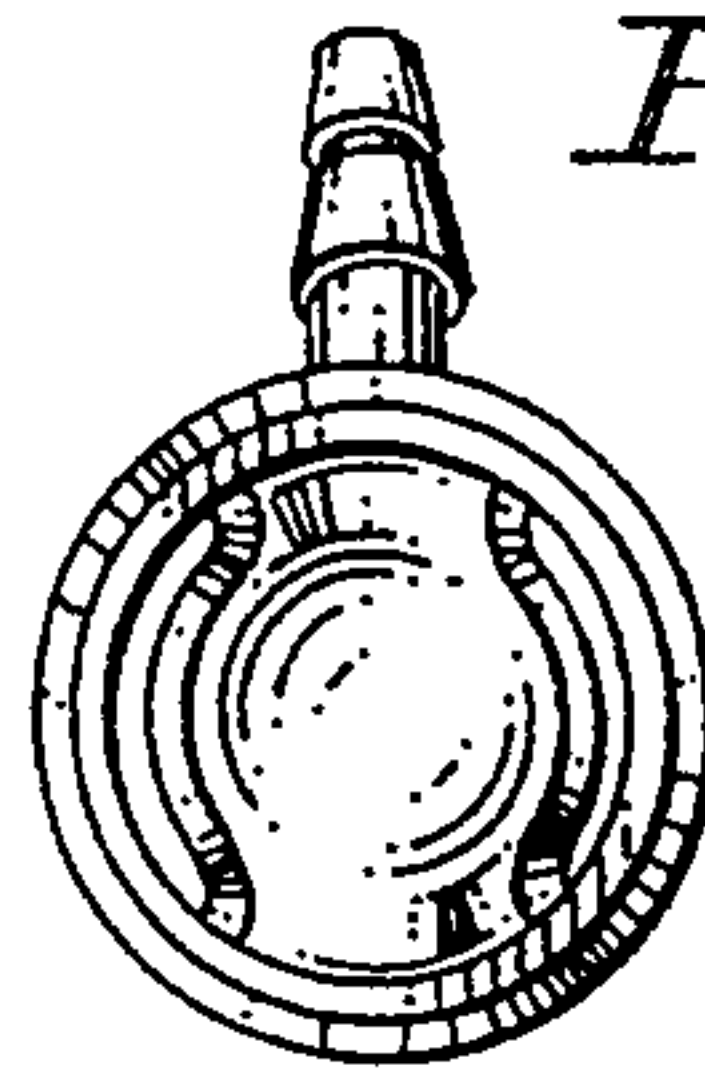


FIG. 6

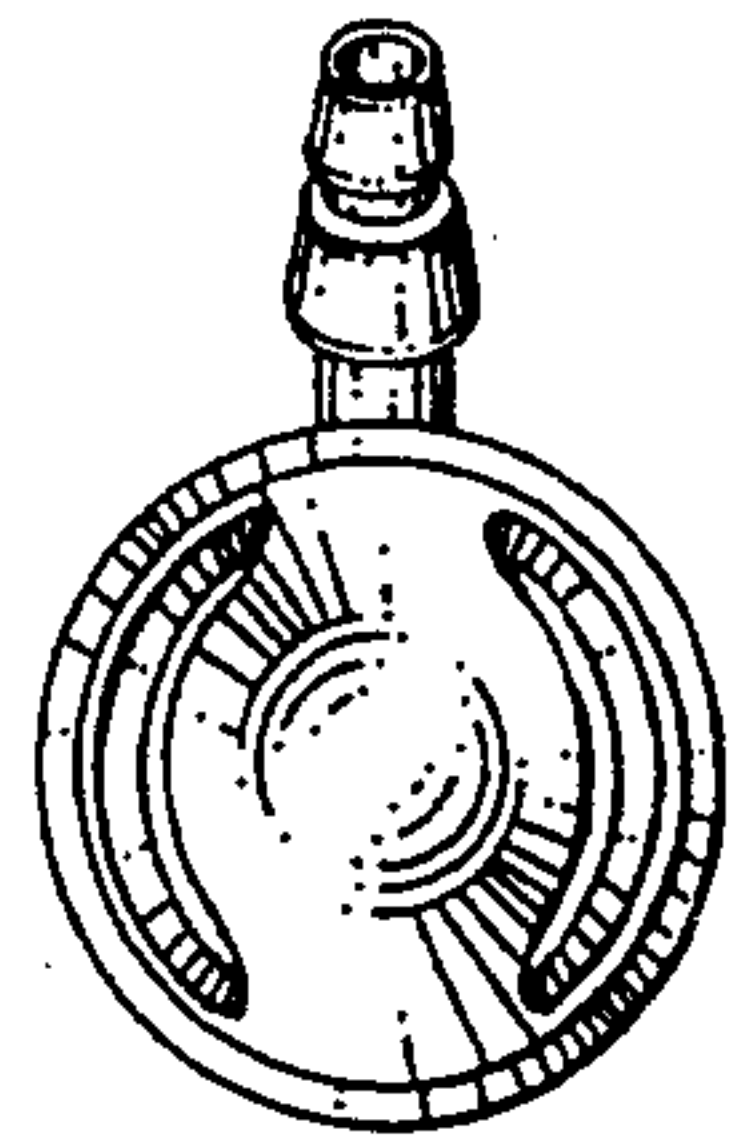


FIG. 7

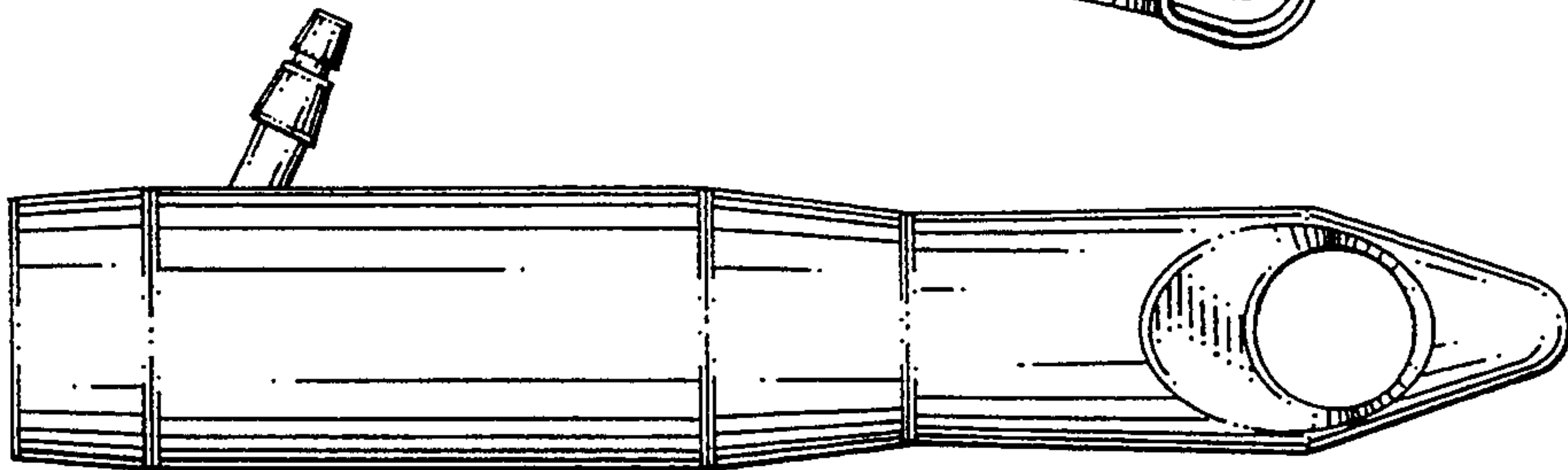


FIG. 2

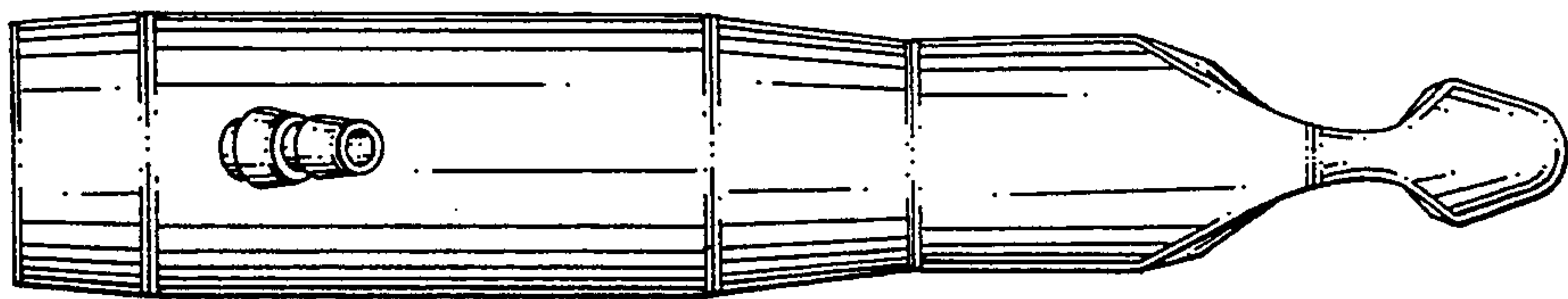


FIG. 3

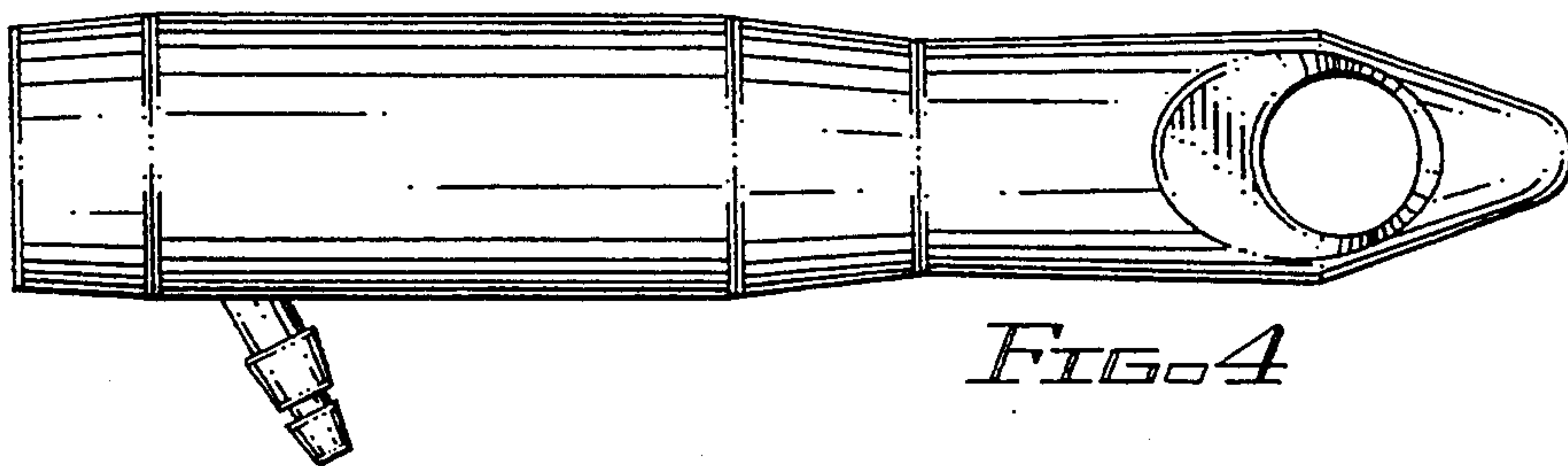


FIG. 4

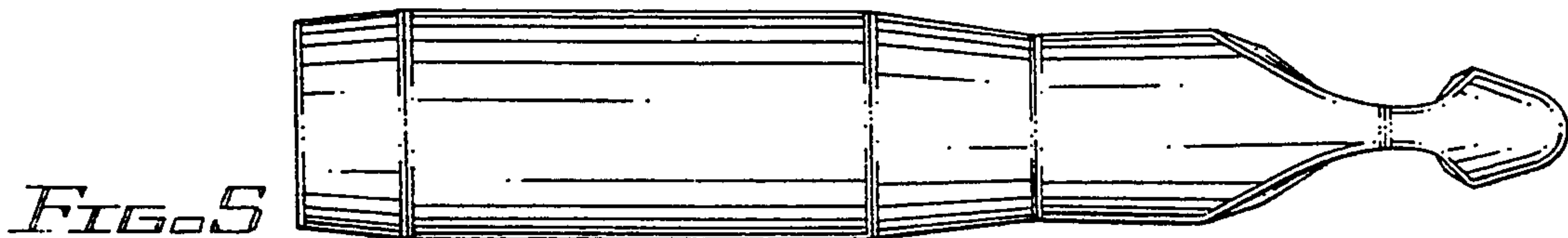


FIG. 5

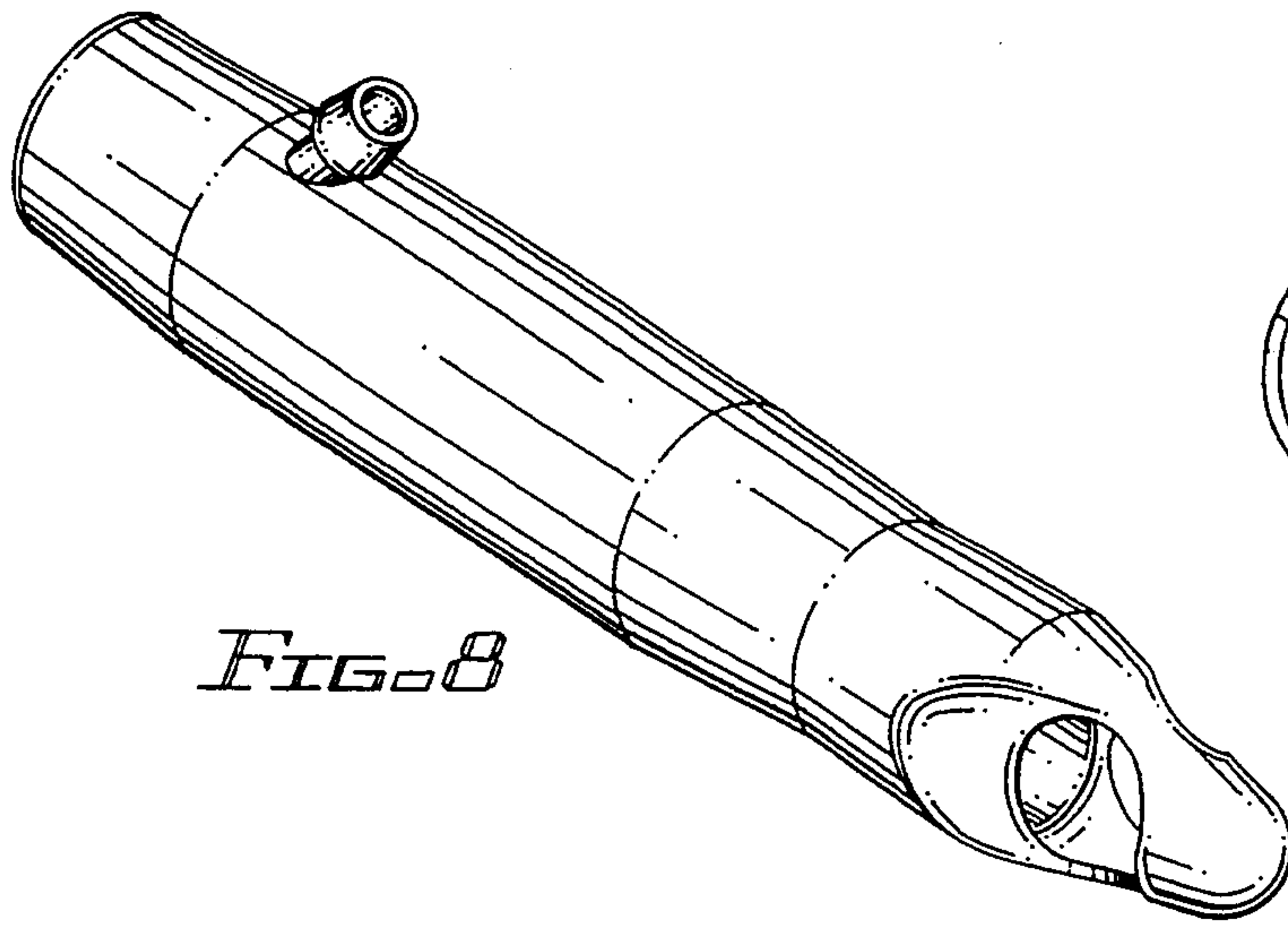


FIG. 8

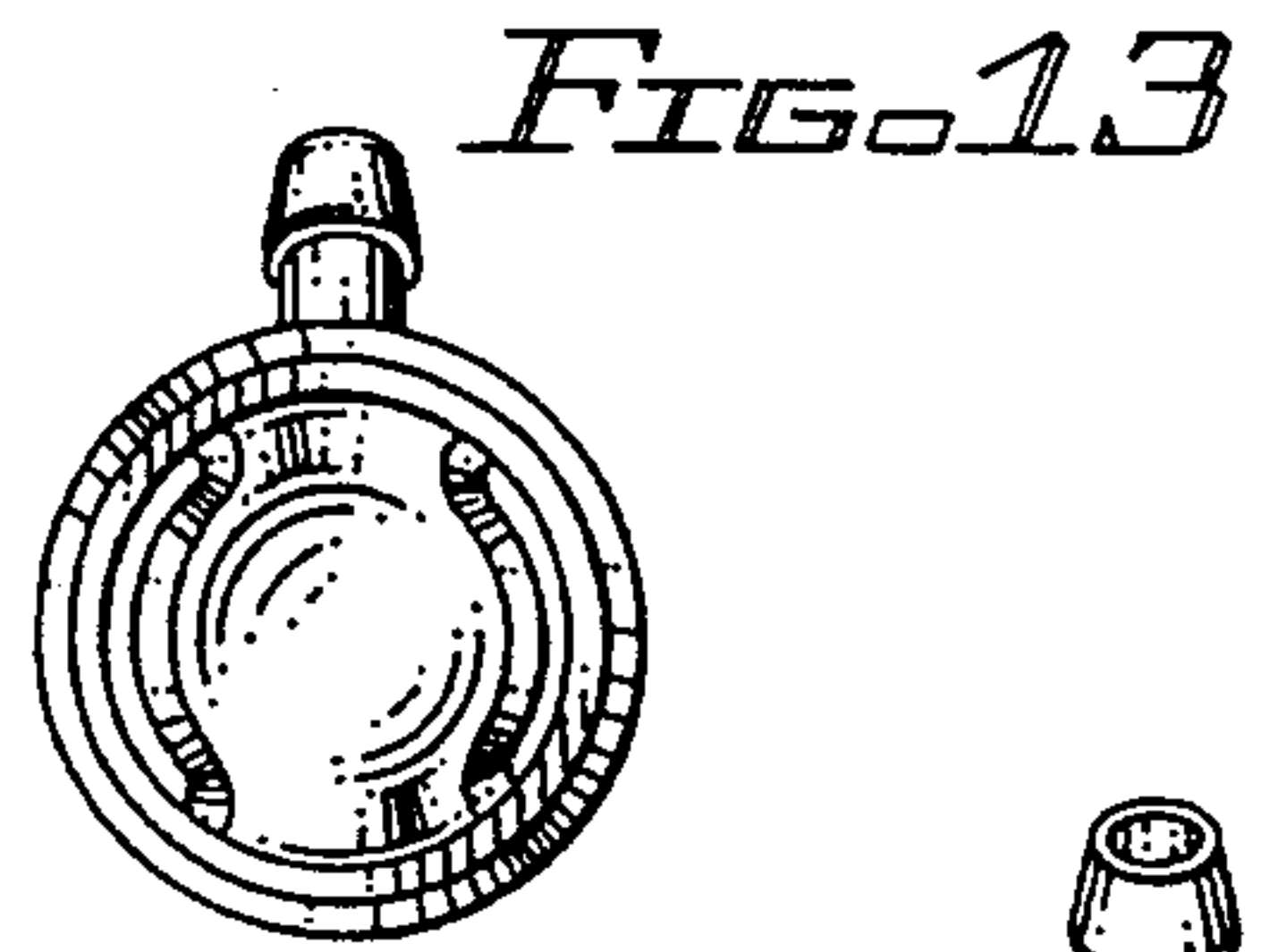


FIG. 13

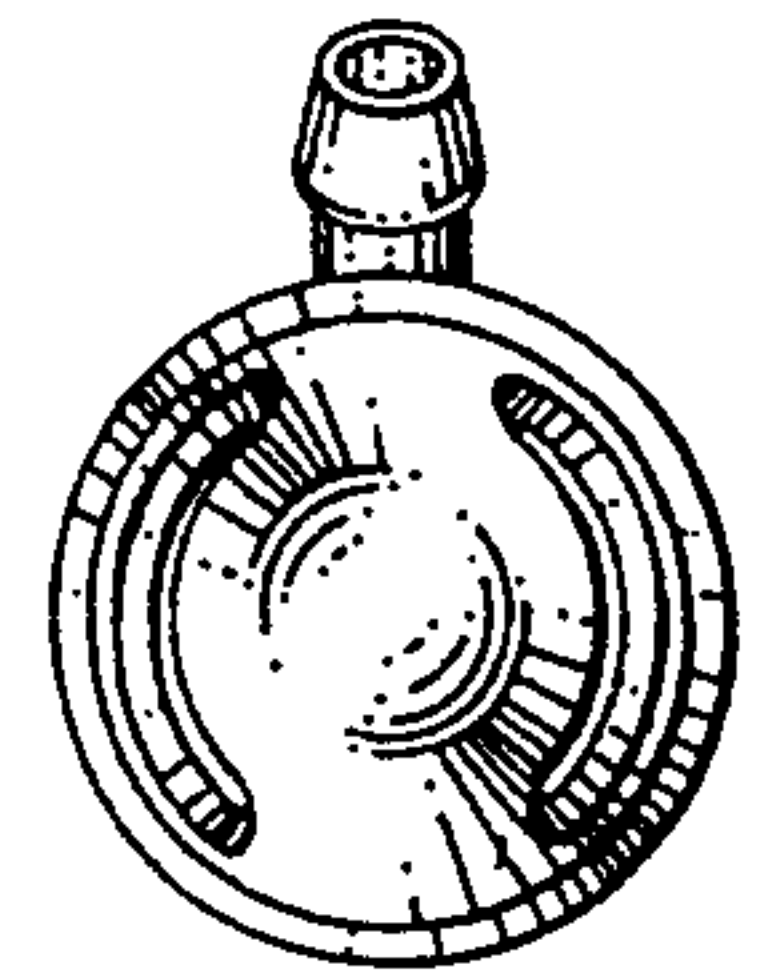


FIG. 14

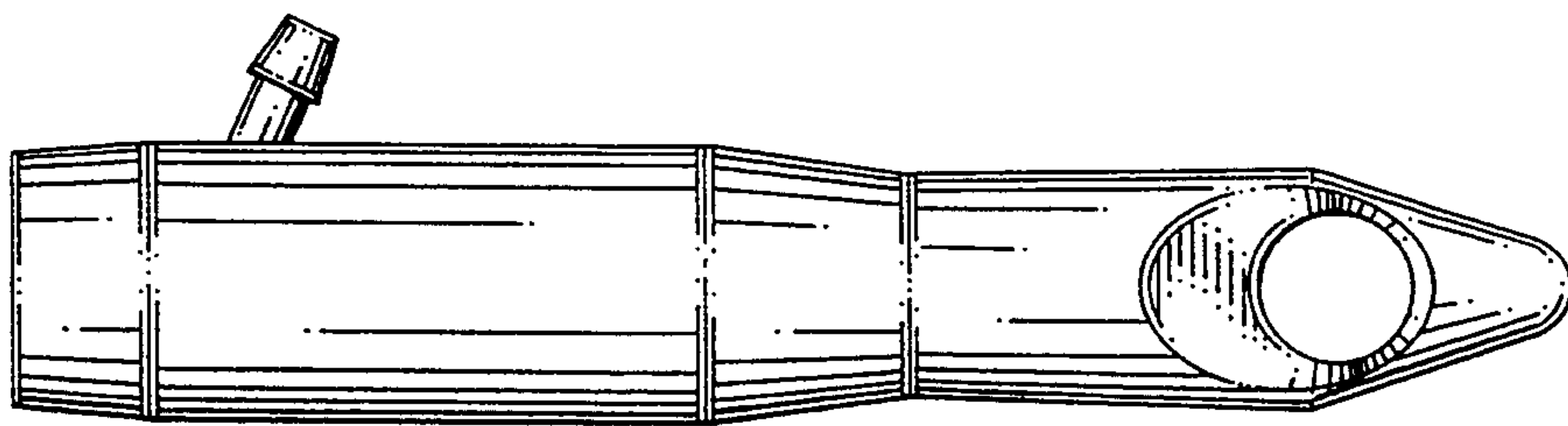


FIG. 9

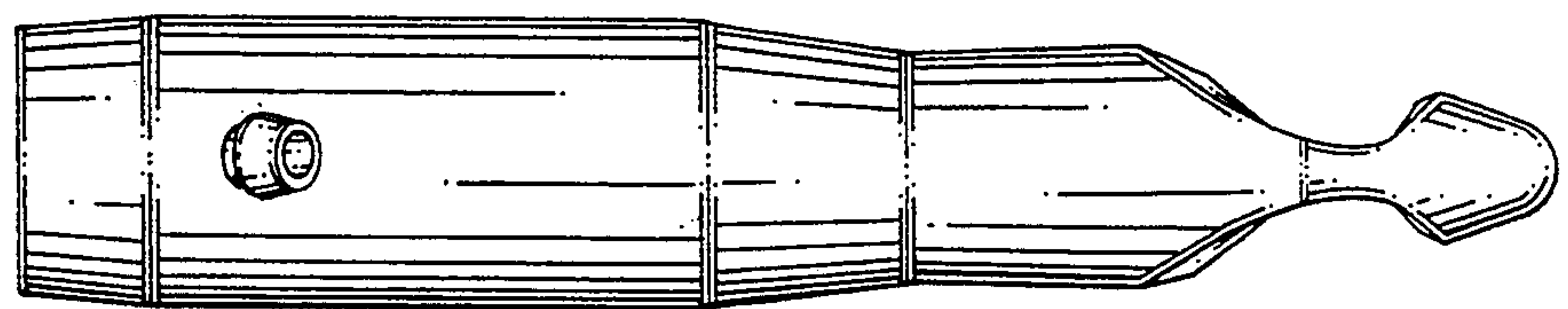


FIG. 10

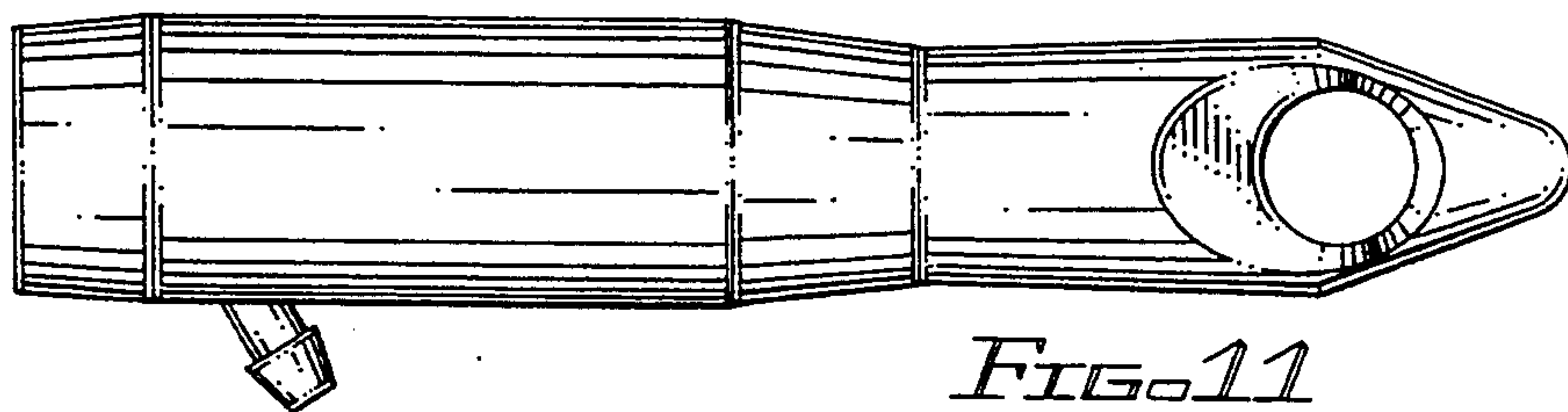


FIG. 11

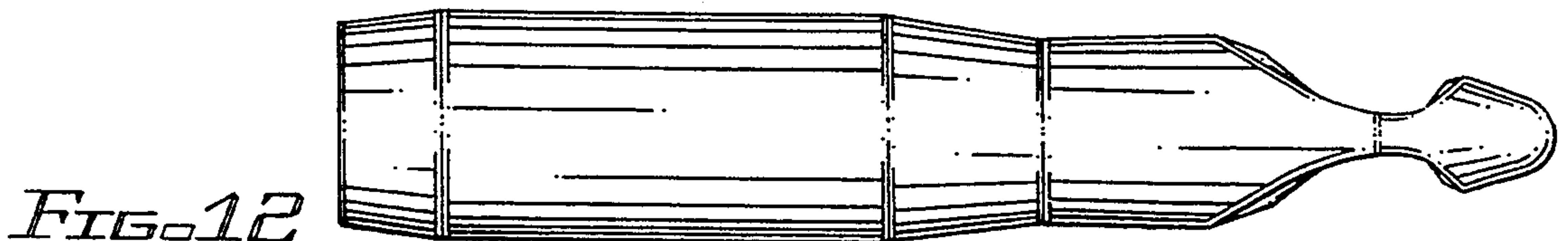


FIG. 12