



US00D353196S

# United States Patent [19]

[11] Patent Number: **Des. 353,196**

Savage et al.

[45] Date of Patent: **\*\* Dec. 6, 1994**

[54] **STETHOSCOPE HEAD**

[76] Inventors: **Gary Savage**, 5625, 17<sup>e</sup> avenue, Montréal, Québec, Canada, H1X 2R7; **Michel Swift**, 444, Édouard Charles, Outremont, Québec, Canada, H2P 2N4

[\*\*] Term: **14 Years**

[21] Appl. No.: **8,796**

[22] Filed: **May 28, 1993**

[52] U.S. Cl. .... **D24/134**

[58] Field of Search ..... 181/131, 137, 132; 381/67, 95, 96, 121; D24/134

[56] **References Cited**

**U.S. PATENT DOCUMENTS**

- D. 205,171 6/1966 Littmann ..... D24/134
- D. 214,002 4/1969 Machlap et al. .... D24/134

- D. 338,269 8/1993 Dufresne et al. .... D24/134
- 3,339,667 9/1967 Speelman ..... D24/134 X
- 4,254,302 3/1981 Walshe ..... D24/134 X
- 5,022,487 6/1991 Kirchner ..... 181/137
- 5,204,500 4/1993 Dufresne et al. .... 181/131

*Primary Examiner*—A. Hugo Word

*Assistant Examiner*—I. Simmons

[57] **CLAIM**

The ornamental design for a stethoscope head, as shown and described.

**DESCRIPTION**

FIG. 1 is a perspective view of a stethoscope head showing our new design;

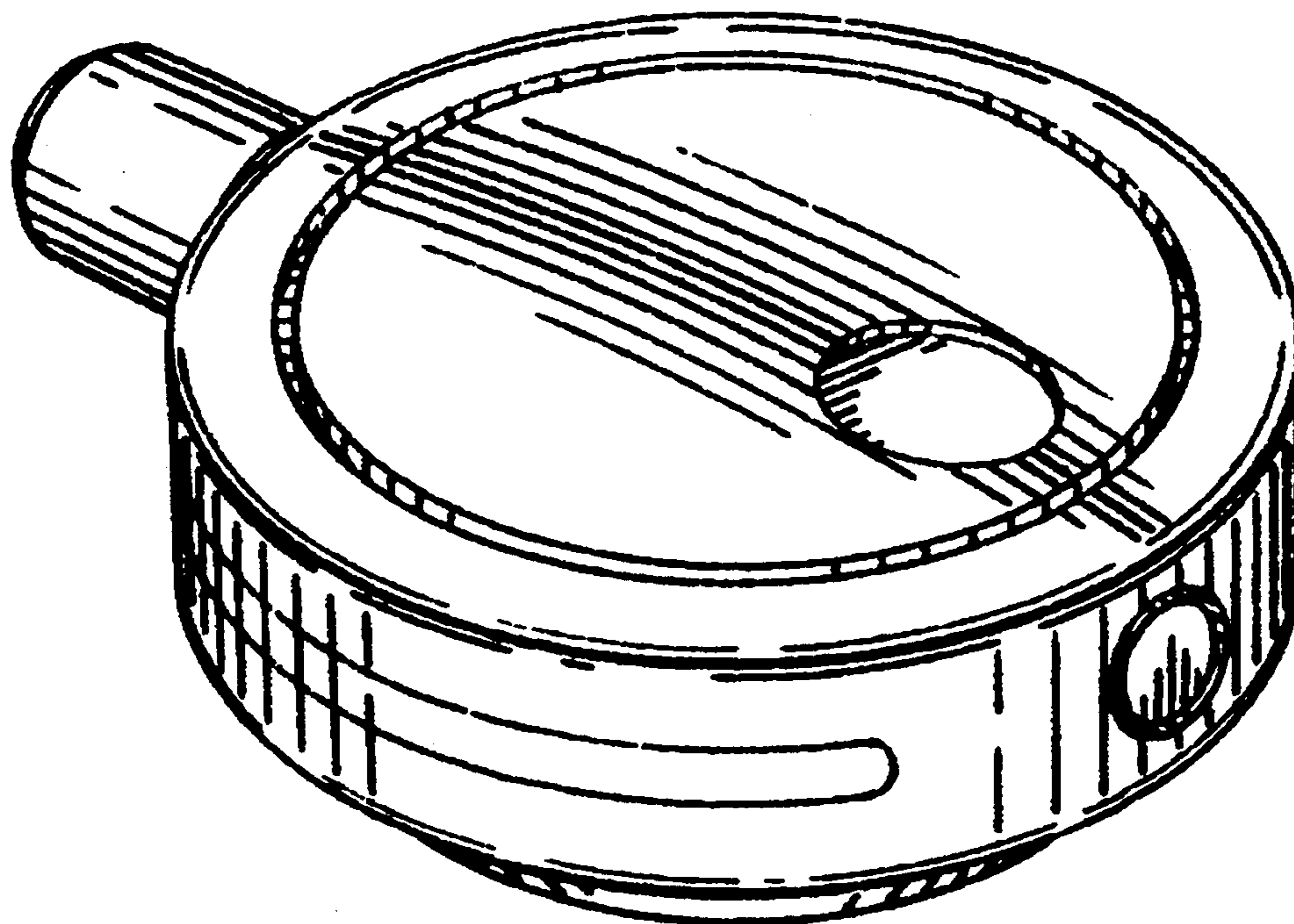
FIG. 2 is a top plan view thereof;

FIG. 3 is a right side elevational view thereof; the left side elevational view being a mirror image thereof;

FIG. 4 is a front elevational view thereof;

FIG. 5 is a rear elevational view thereof; and,

FIG. 6 is a bottom plan view thereof.



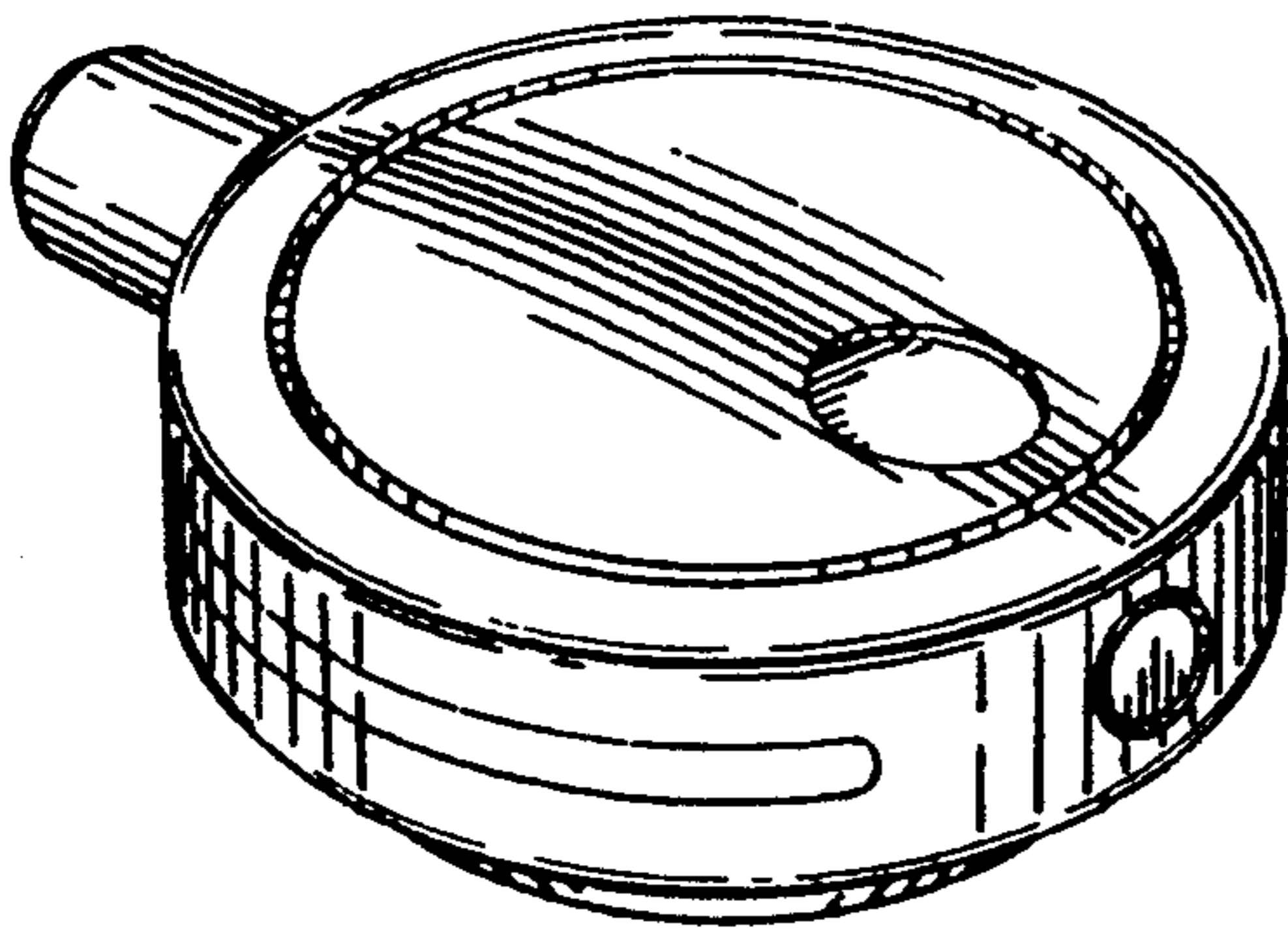


FIG. 1

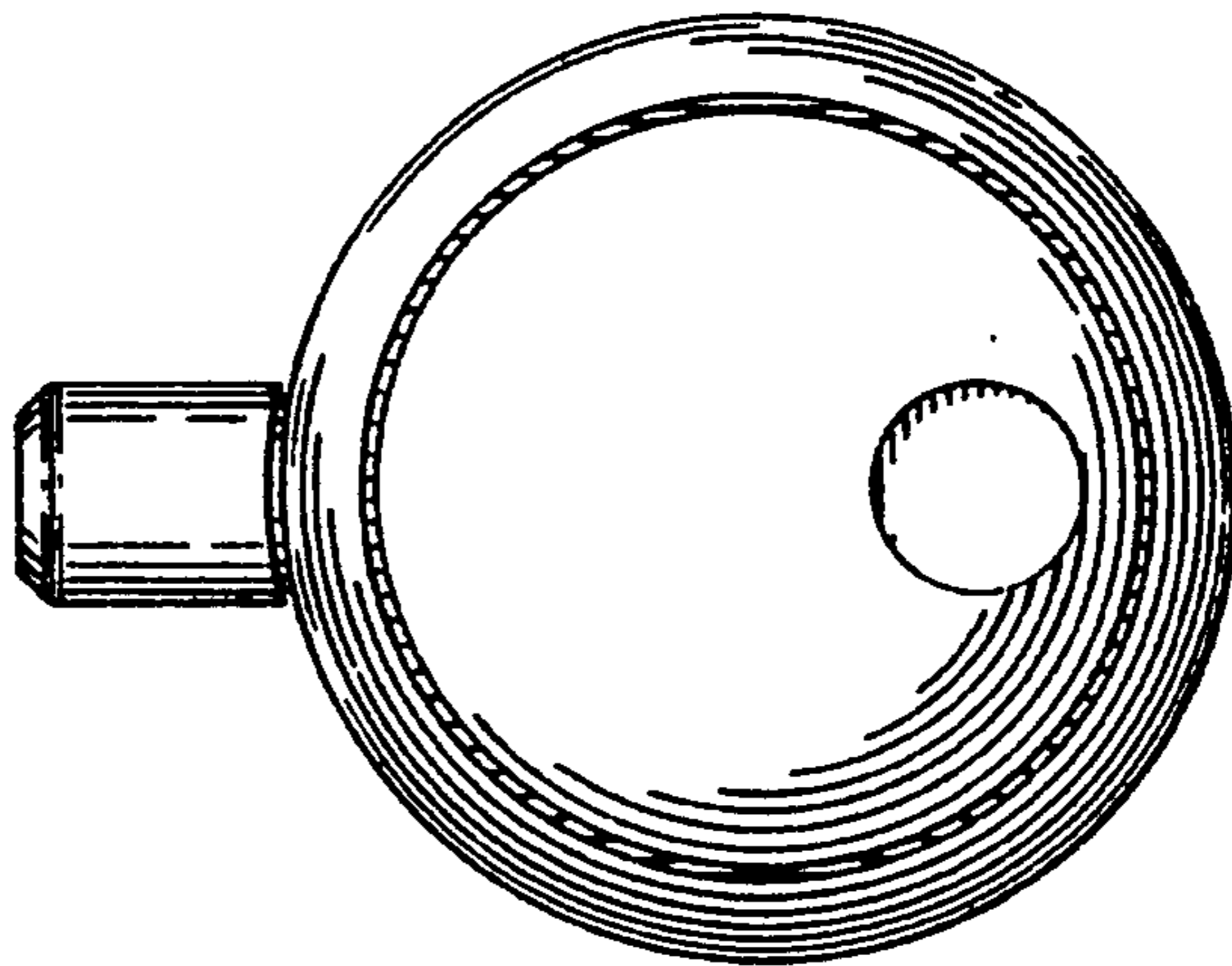


FIG. 2

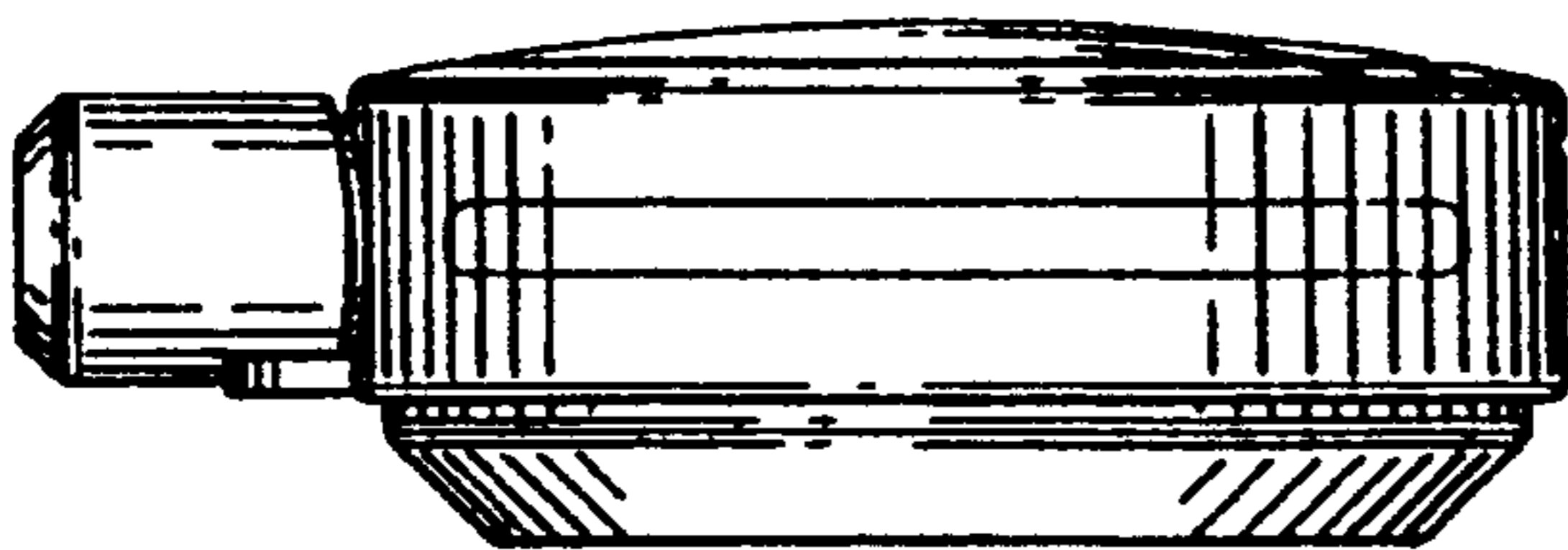


FIG. 3



FIG. 4

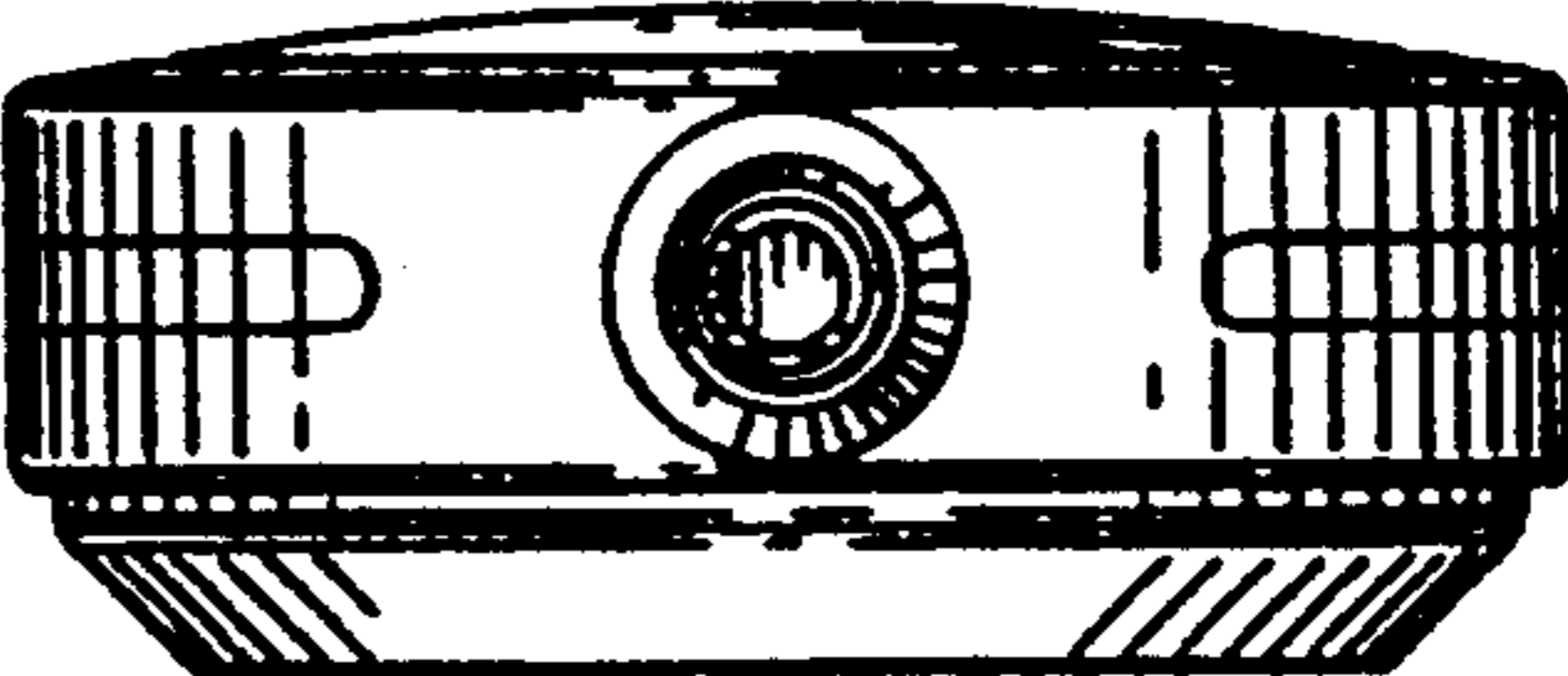


FIG. 5

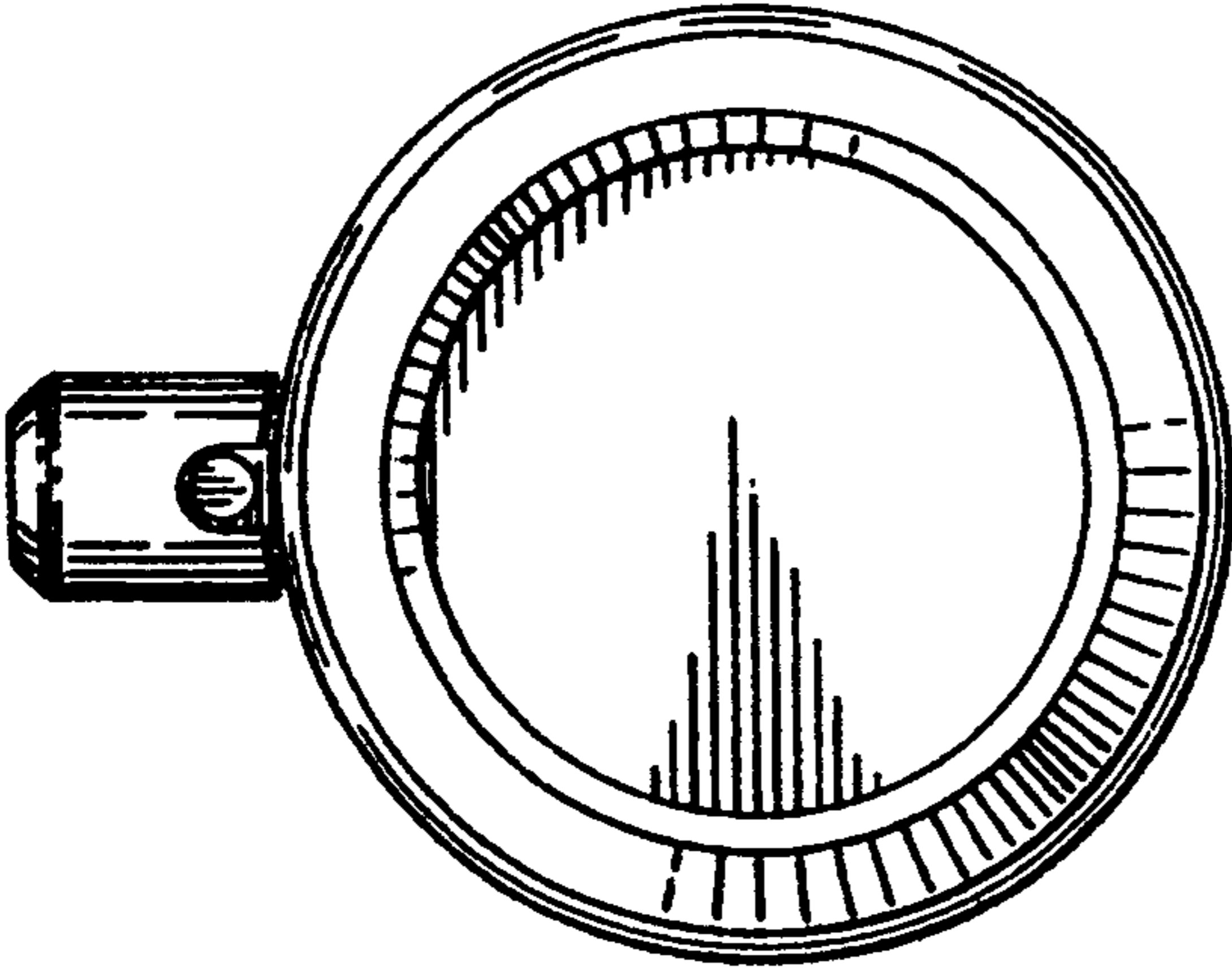


FIG. 6