



US00D353190S

United States Patent [19]

[11] Patent Number: **Des. 353,190**

Short

[45] Date of Patent: **** Dec. 6, 1994**

[54] LAVATORY

[75] Inventor: **Kevin G. Short, Midlothian, Ill.**

[73] Assignee: **Sterling Plumbing Group, Inc.,
Rolling Meadows, Ill.**

[**] Term: **14 Years**

[21] Appl. No.: **4,532**

[22] Filed: **Feb. 8, 1993**

[52] U.S. Cl. **D23/293.1**

[58] Field of Search **4/619, 631-640,
4/643, 645-648; D23/284-294**

[56] References Cited

U.S. PATENT DOCUMENTS

D. 170,530	10/1953	Hendrickson	D23/294
D. 172,375	6/1954	Watkins	D23/294
D. 204,538	4/1966	Armstrong	D23/294
D. 218,607	9/1970	Schrock et al.	D23/294
D. 238,070	12/1975	Granger	D23/294
D. 262,988	2/1982	Lippert, Jr.	.	
D. 274,642	7/1984	Doman	D23/294
D. 320,068	9/1991	Waldren	.	
1,408,830	3/1922	Rowd	4/619

OTHER PUBLICATIONS

Undated, admitted prior art, p. 93 of a Jacob Delafon catalog for an Altair lavatory.

Undated, admitted prior art, Sterling ad labelled "Vitreous China".

Undated, admitted prior art, Jacob Delafon ad showing several lavatories.

Primary Examiner—James R. Largen

Attorney, Agent, or Firm—Quarles & Brady

[57] CLAIM

The ornamental design for a lavatory, as shown and described.

DESCRIPTION

FIG. 1 is a perspective view taken from the top, front and left side of a lavatory embodying my new design;

FIG. 2 is a top plan view thereof;

FIG. 3 is a front elevational view thereof;

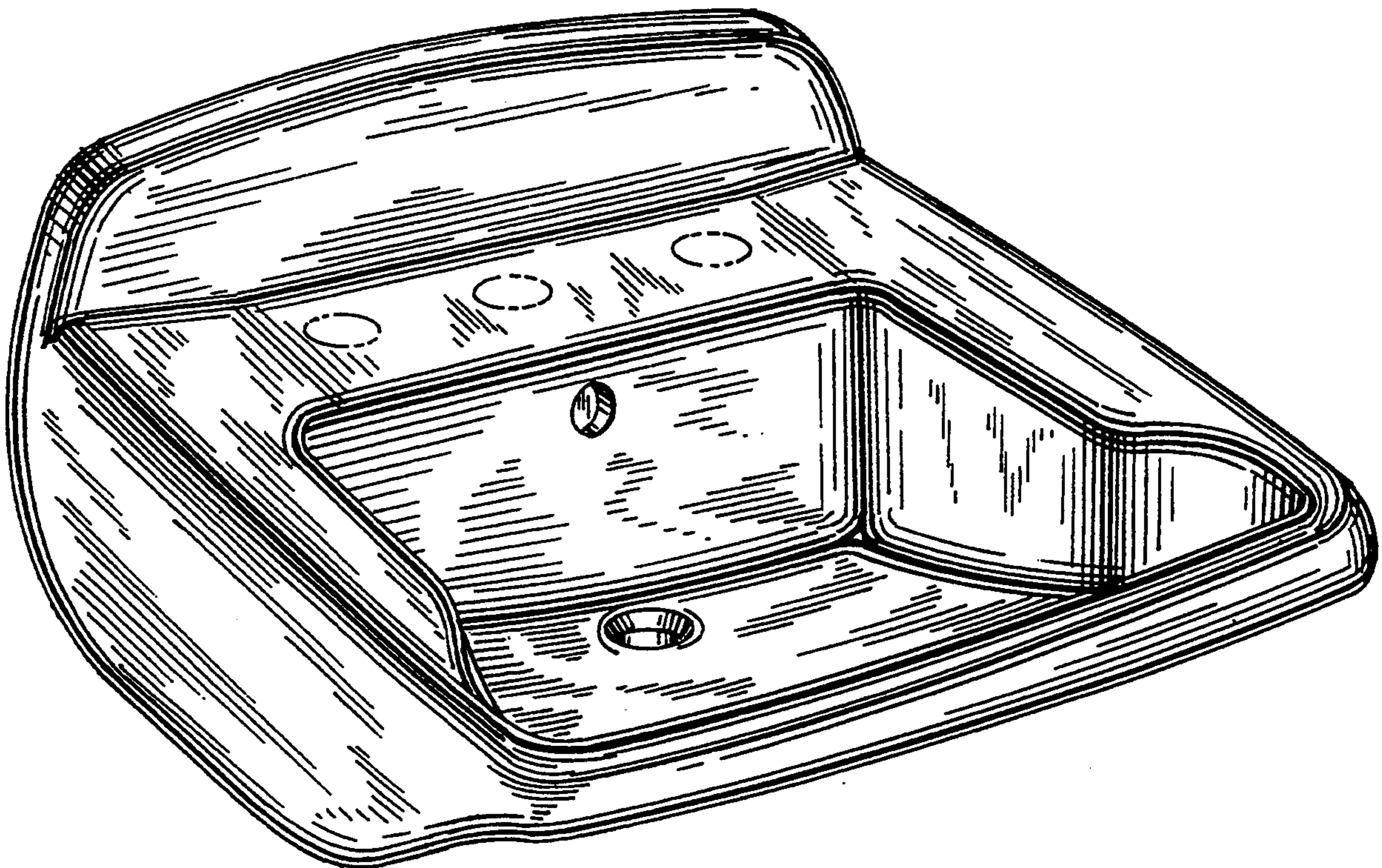
FIG. 4 is a right side elevational view thereof, the left side being a mirror image of the right side;

FIG. 5 is a cross-sectional view taken on line 5—5 of FIG. 2;

FIG. 6 is a cross-sectional view taken on line 6—6 of FIG. 2; and,

FIG. 7 is a bottom plan view thereof.

The broken line representations of fixture mounting holes in FIGS. 1 and 2 and support mounting holes in FIGS. 3 and 7 are for the purpose of illustration only and form no part of the claimed design.



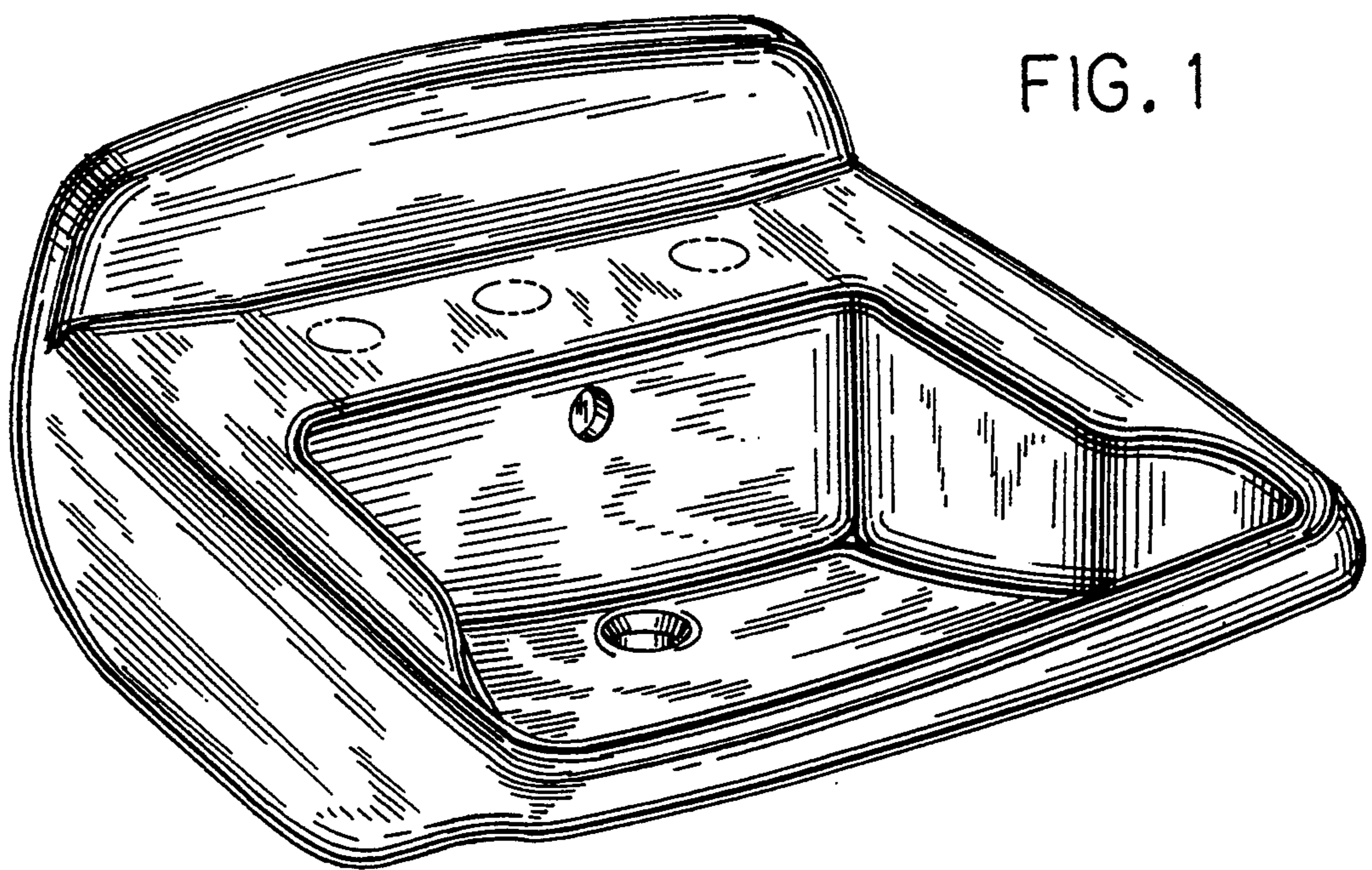
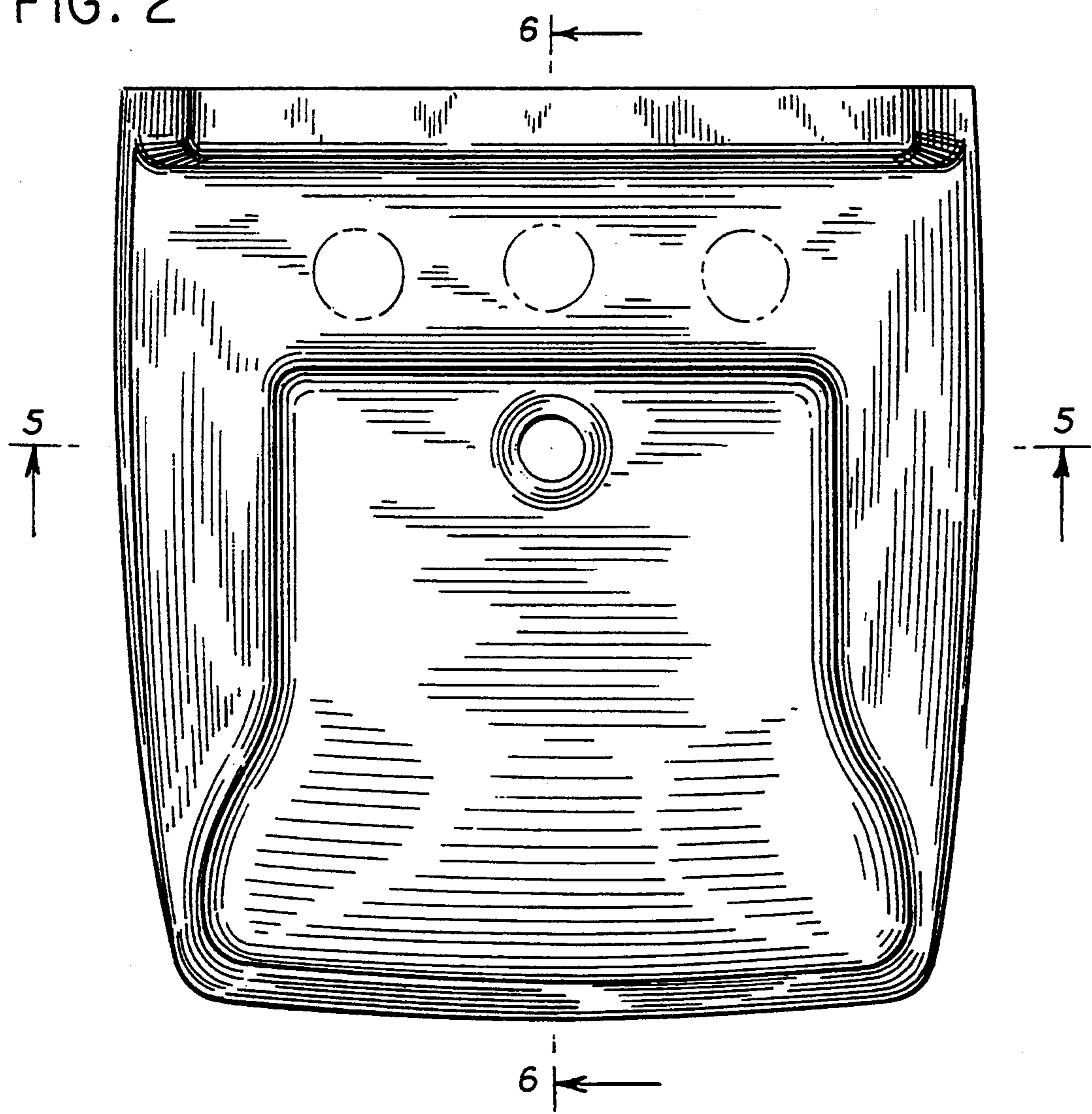


FIG. 2



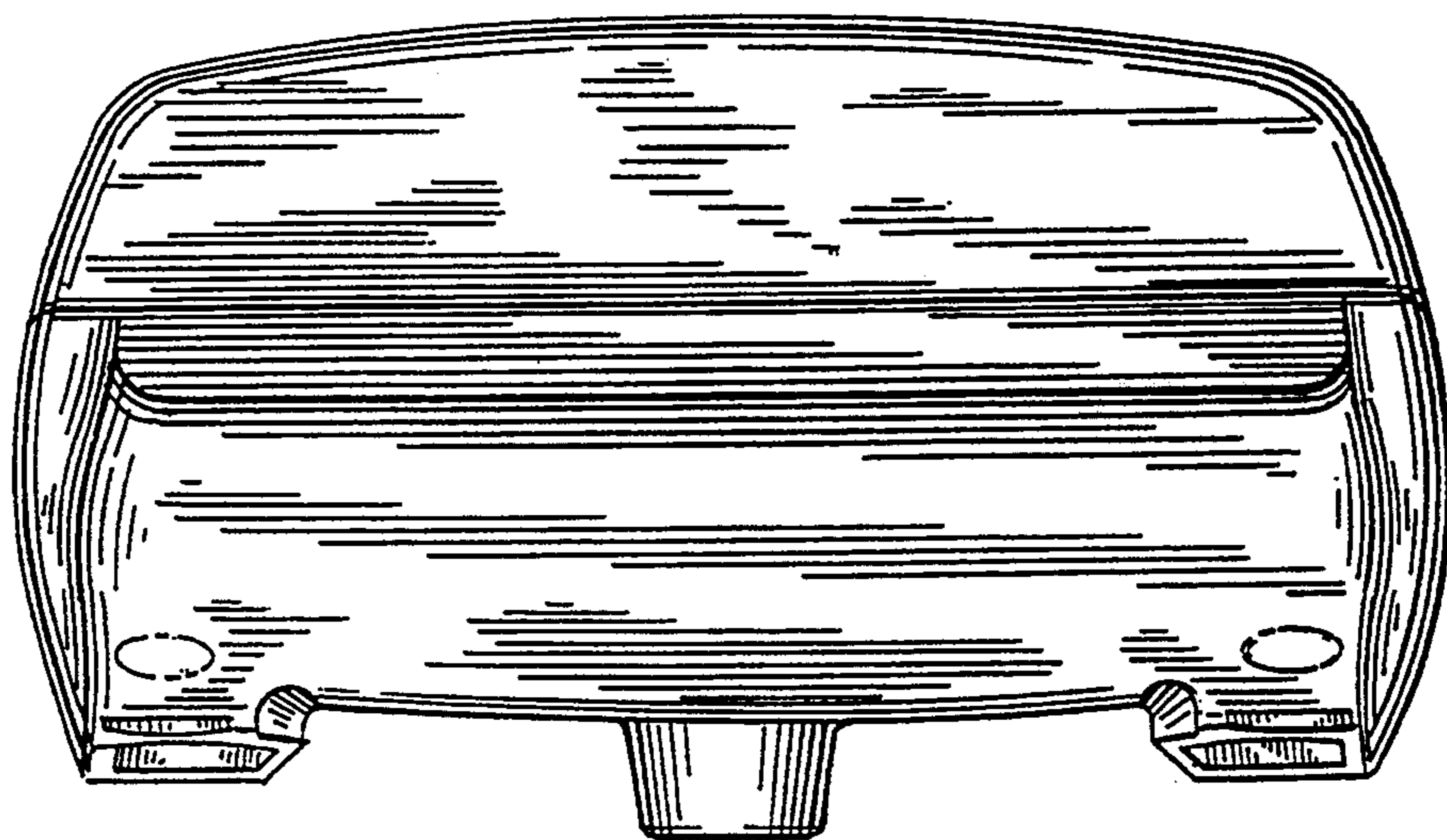


FIG. 3

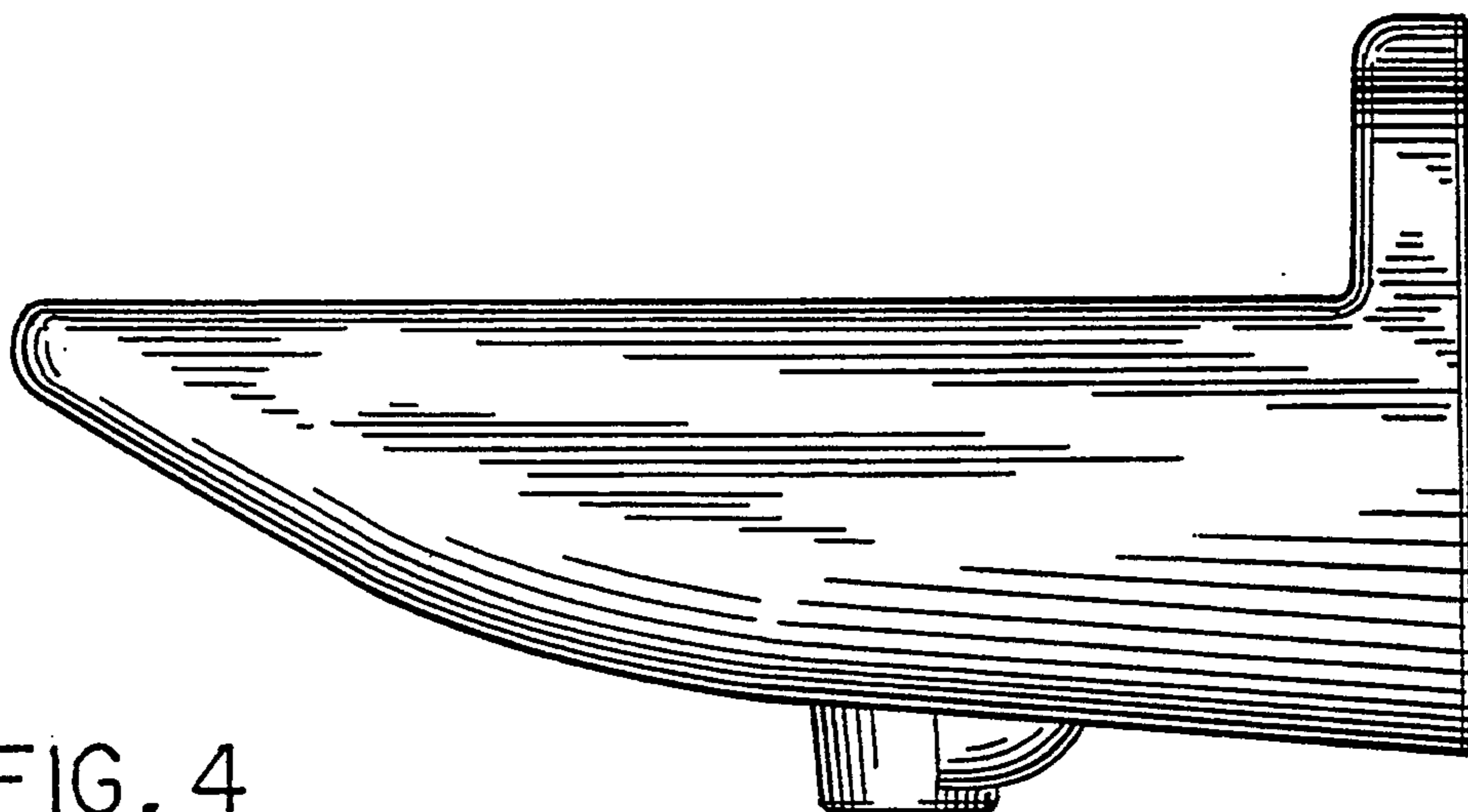


FIG. 4

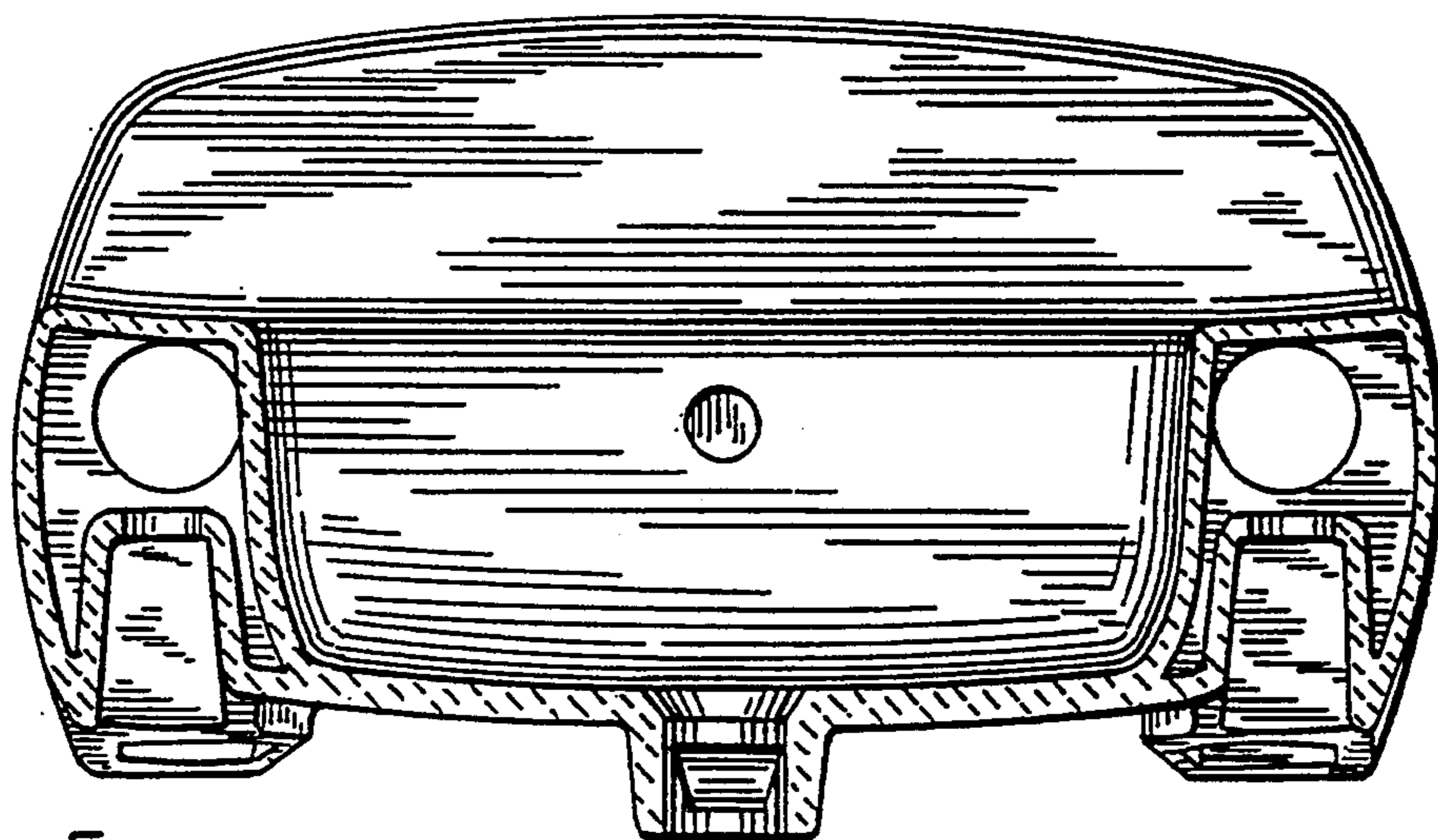


FIG. 5

FIG. 6

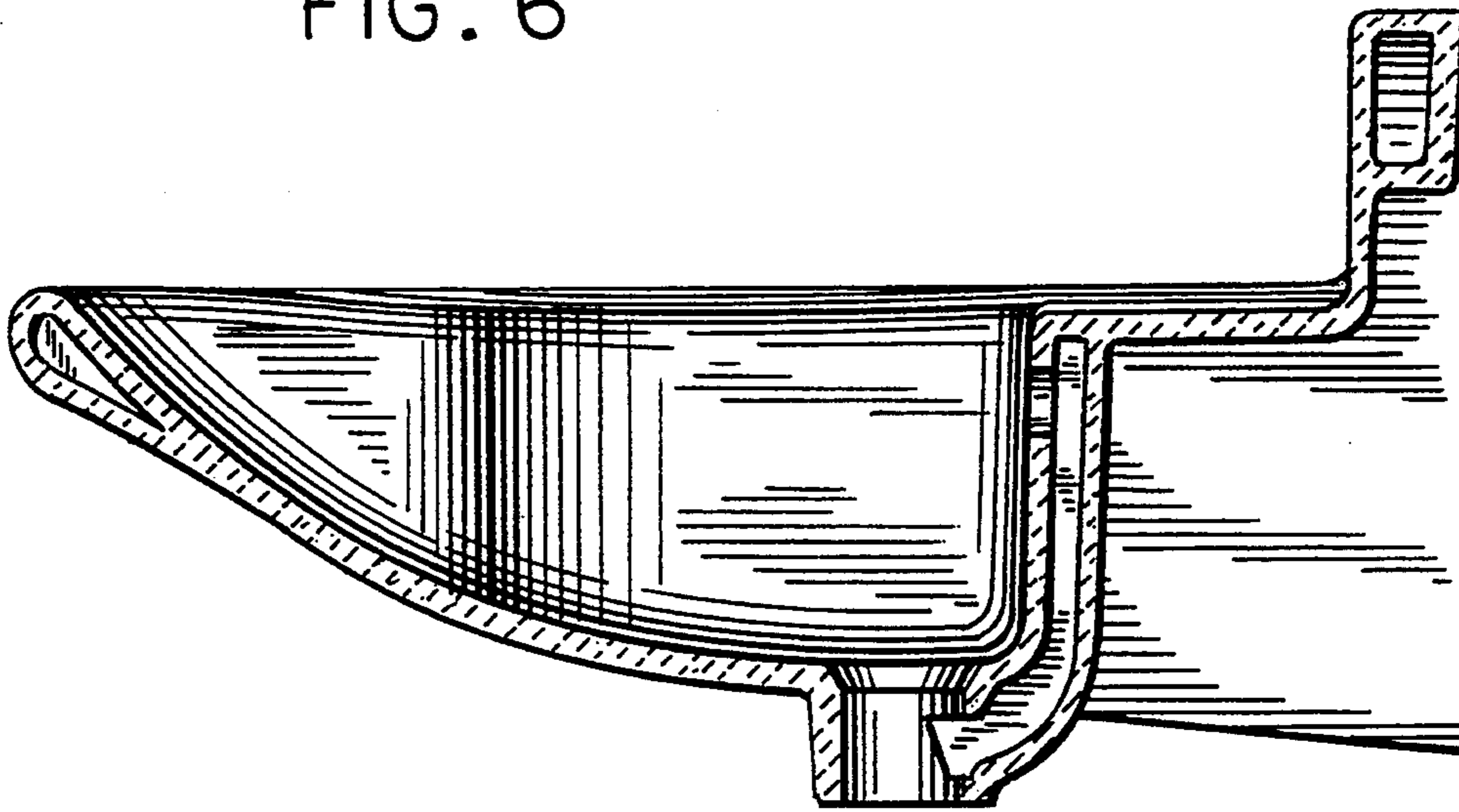


FIG. 7

