



US00D353188S

# United States Patent [19]

[11] Patent Number: Des. 353,188

Jackson et al.

[45] Date of Patent: \*\* Dec. 6, 1994

[54] CONTROLLER

[75] Inventors: Mark A. Jackson, Fresno; Michael M. Farrell, Kingsburg, both of Calif.

[73] Assignee: Pepco Water Conservation Products, Fresno, Calif.

[\*\*] Term: 14 Years

[21] Appl. No.: 14,820

[22] Filed: Oct. 29, 1993

[52] U.S. Cl. .... D23/245

[58] Field of Search ..... 137/624.11, 624.12, 137/624.13, 624.14, 624.16, 624.21; 239/71, 73; 74/25, 26, 27; D23/235, 236, 237, 238, 239, 240, 241, 242, 243, 244, 245

[56] References Cited

### U.S. PATENT DOCUMENTS

D. 263,069	2/1982	Citon et al. ....	D23/245
201,637	3/1878	Treat .	
901,172	10/1908	Holgan .....	476/25
2,398,015	4/1946	Leathers .	

2,527,095	10/1950	Hare .	
2,577,180	12/1951	Buchi .....	476/27 X
2,637,987	5/1953	Hill et al. .	
2,767,681	10/1956	Pontius .	
3,301,362	1/1967	Helland .	
4,317,253	3/1982	Gut et al. .	
4,644,809	2/1987	Howse .....	74/25

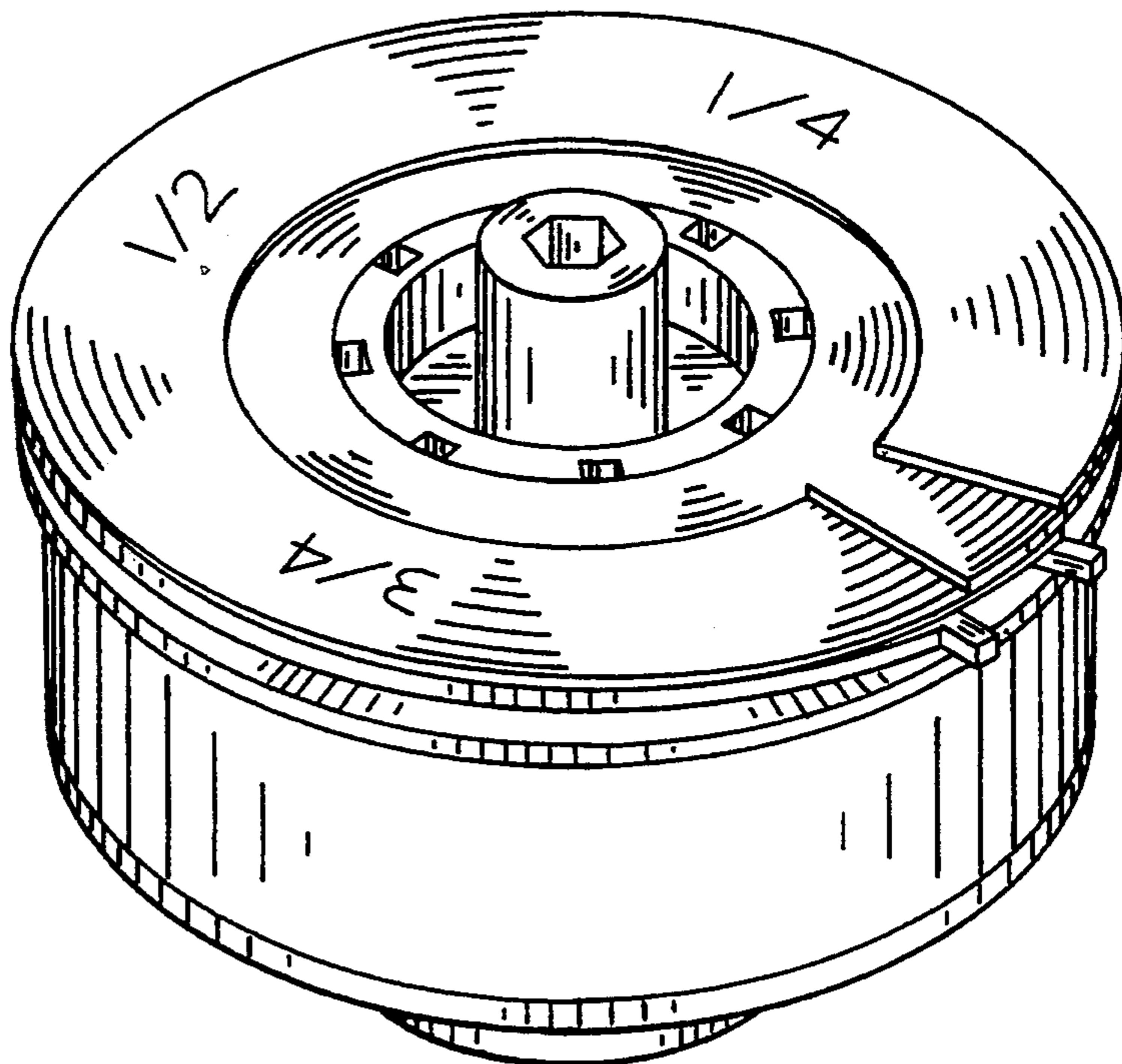
Primary Examiner—A. Hugo Word  
Assistant Examiner—Eric Watterson  
Attorney, Agent, or Firm—Worrel & Worrel

### [57] CLAIM

The ornamental design for the control apparatus, as shown and described.

### DESCRIPTION

FIG. 1 is a perspective view thereof;  
FIG. 2 is a top plan view thereof;  
FIG. 3 is a bottom plan view thereof;  
FIG. 4 is a front elevational view thereof;  
FIG. 5 is a side elevational view thereof;  
FIG. 6 is a side elevational view thereof opposite to that shown in FIG. 5; and,  
FIG. 7 is a rear elevational view thereof.



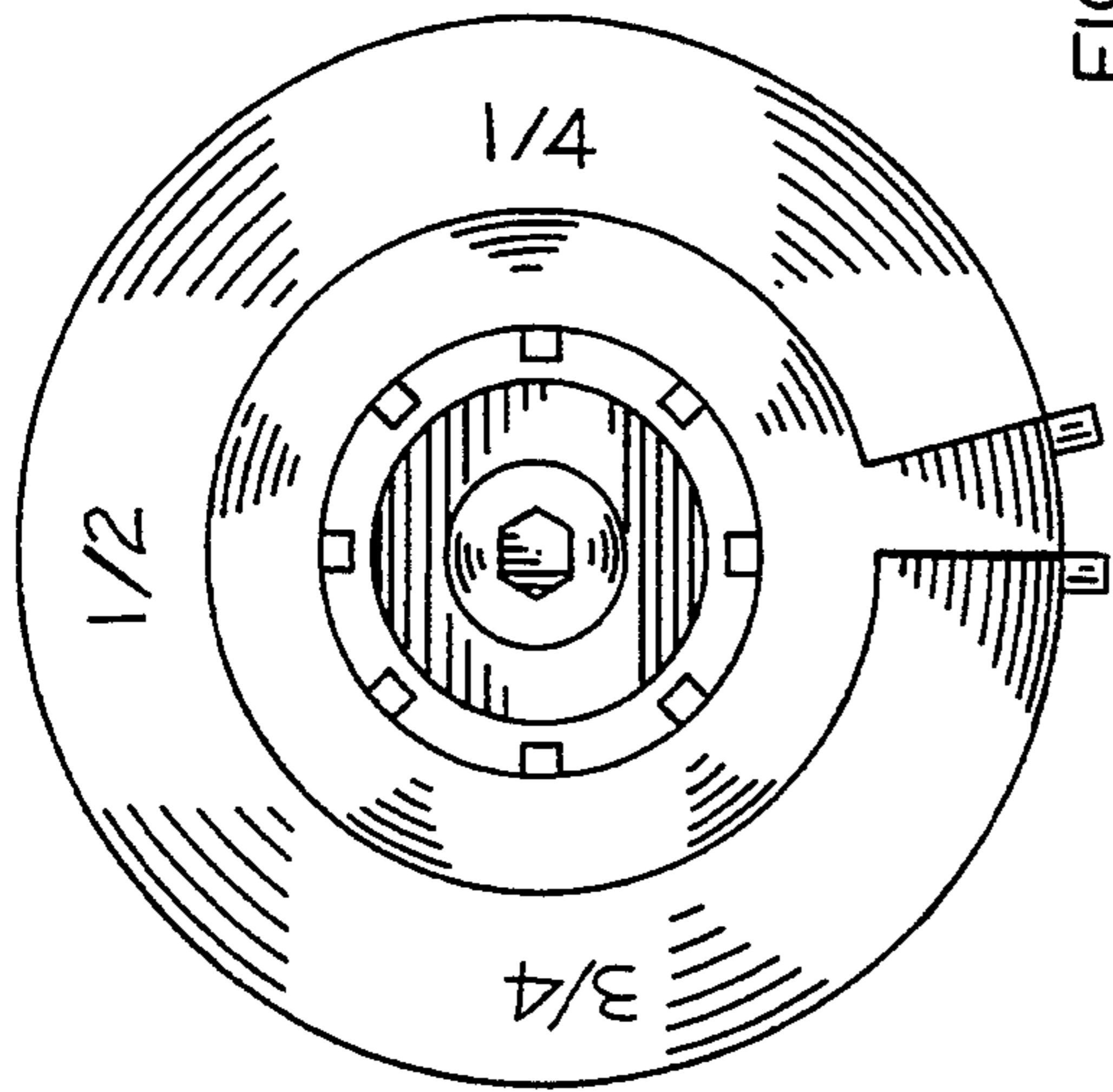


FIG. 2

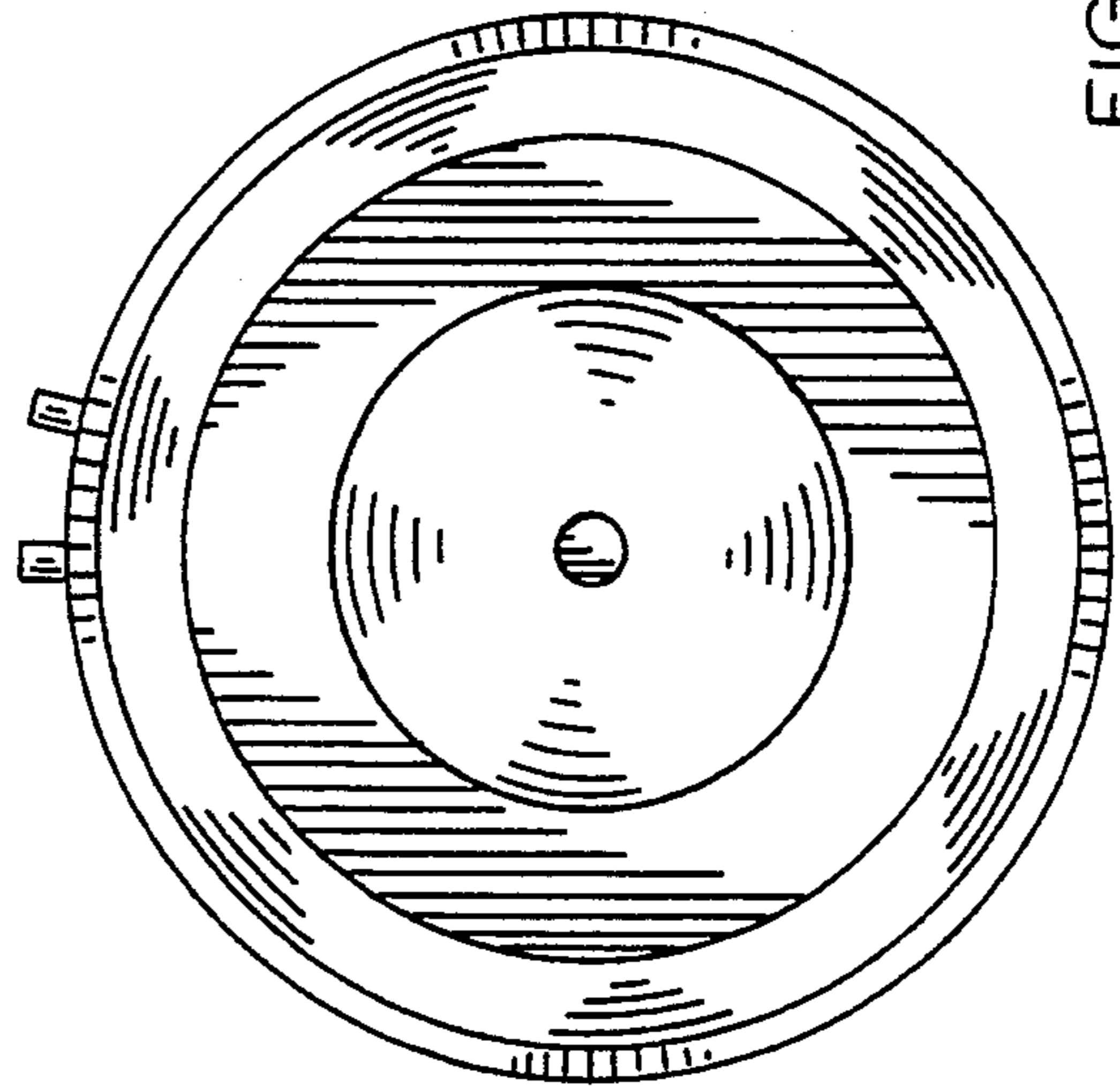


FIG. 3

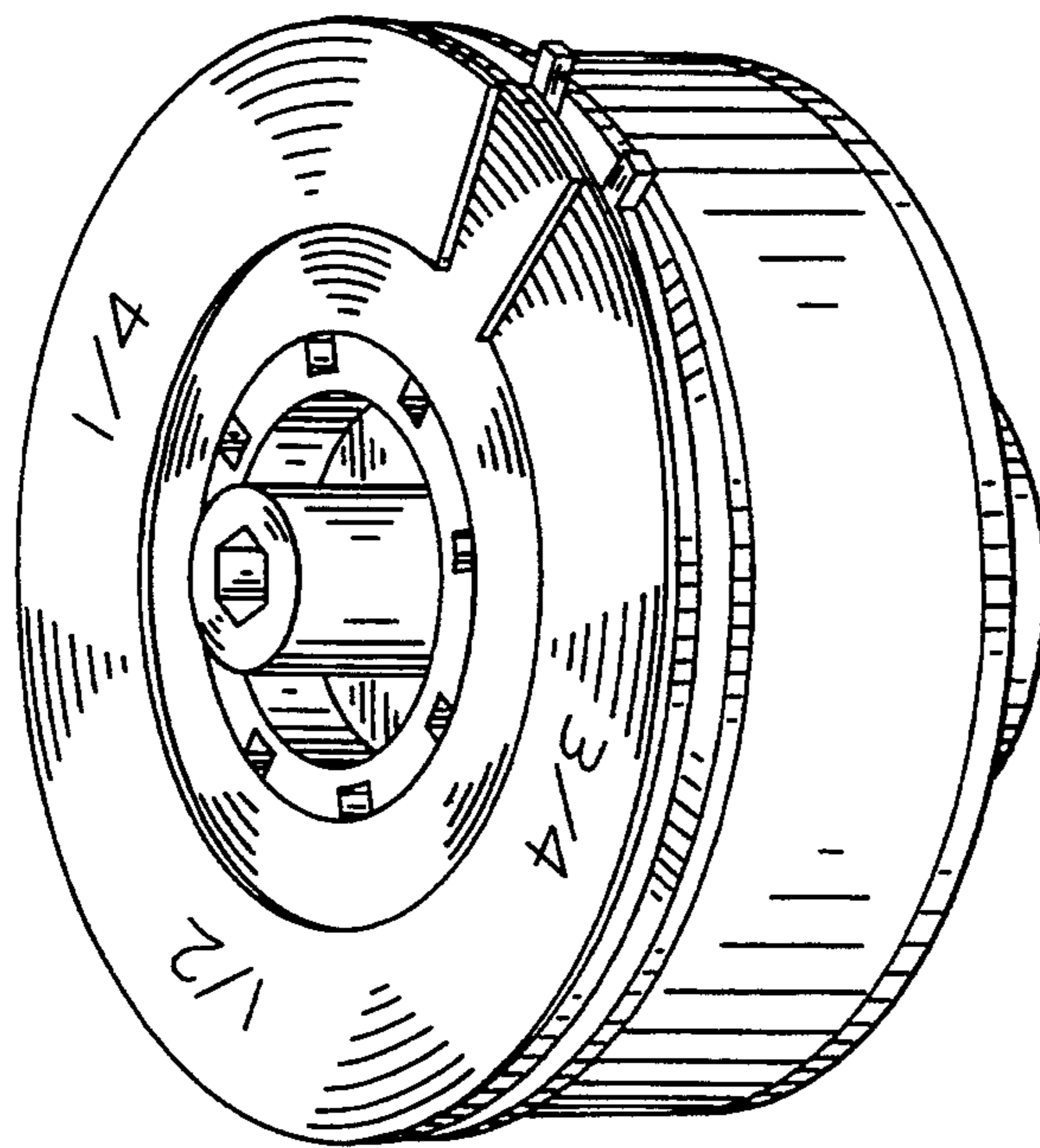


FIG. 1

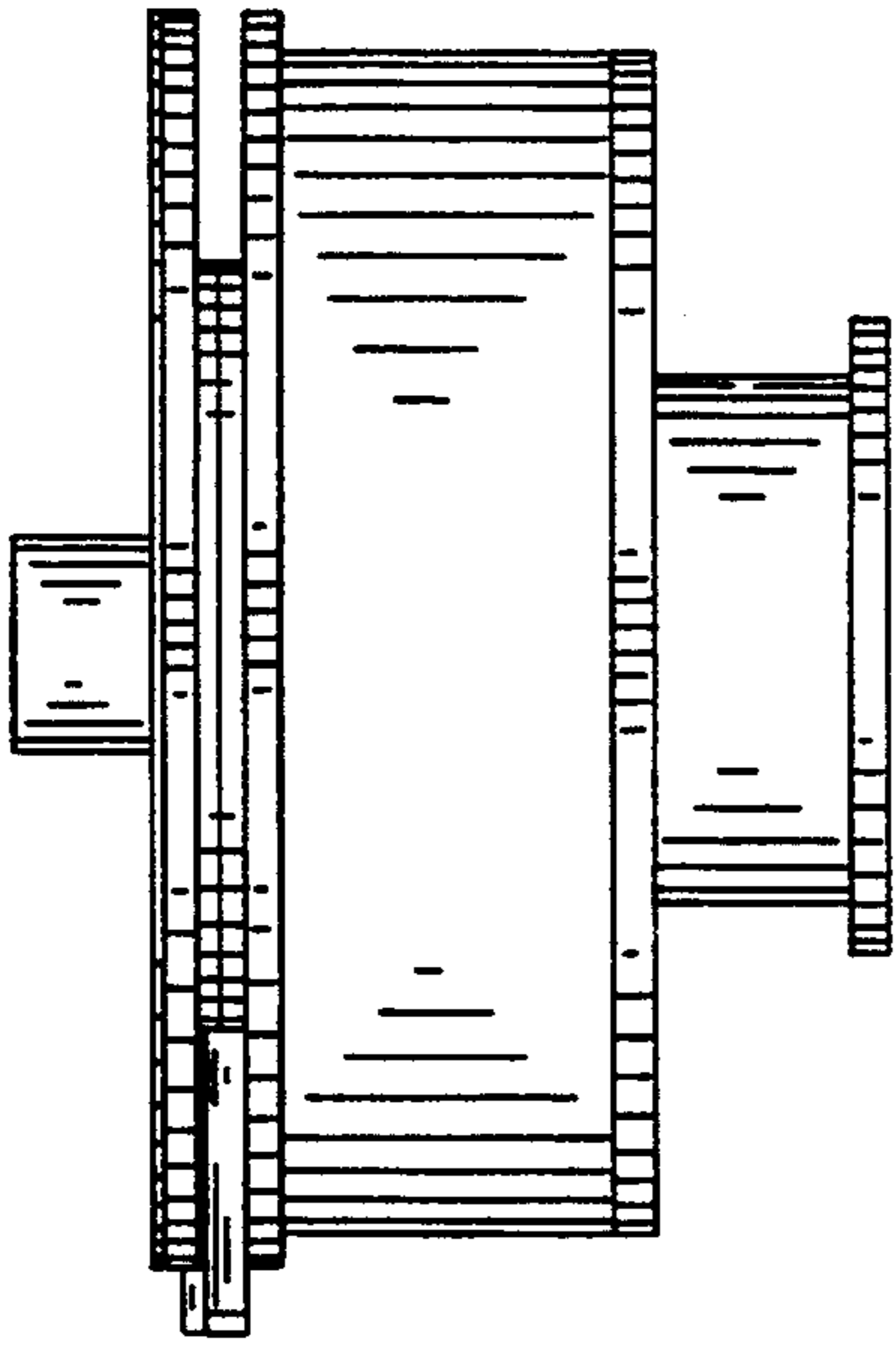


FIG. 5

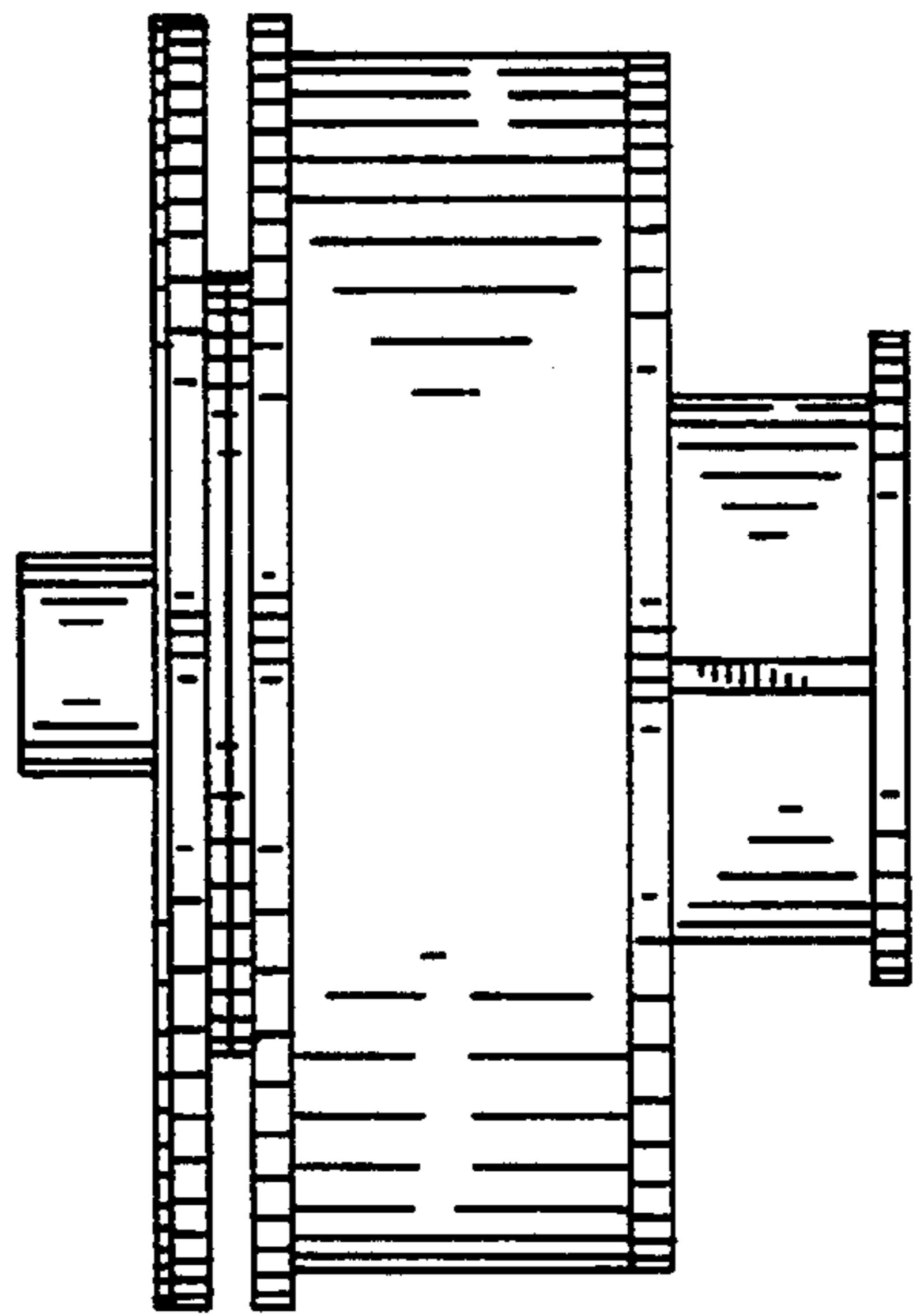


FIG. 7

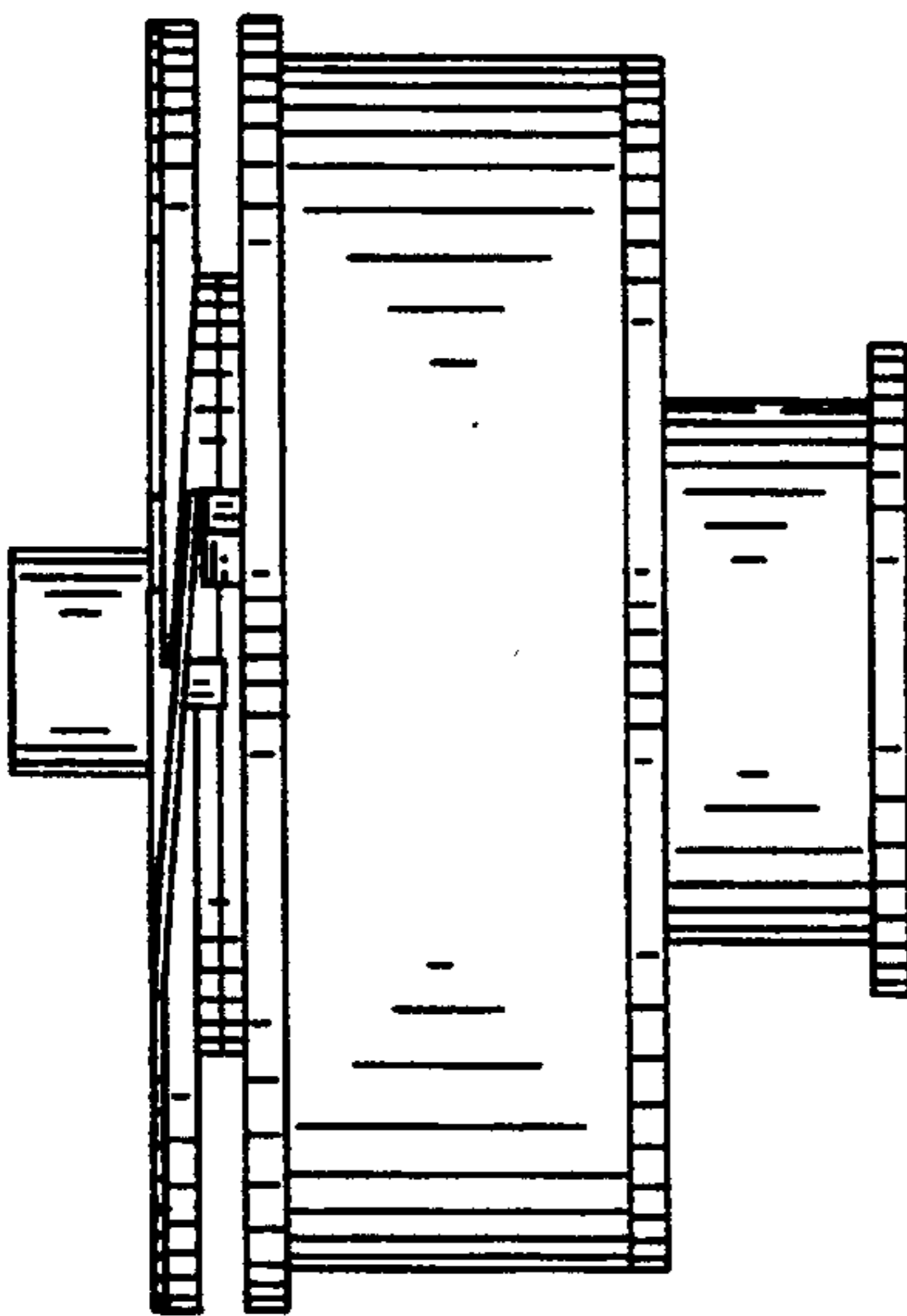


FIG. 4

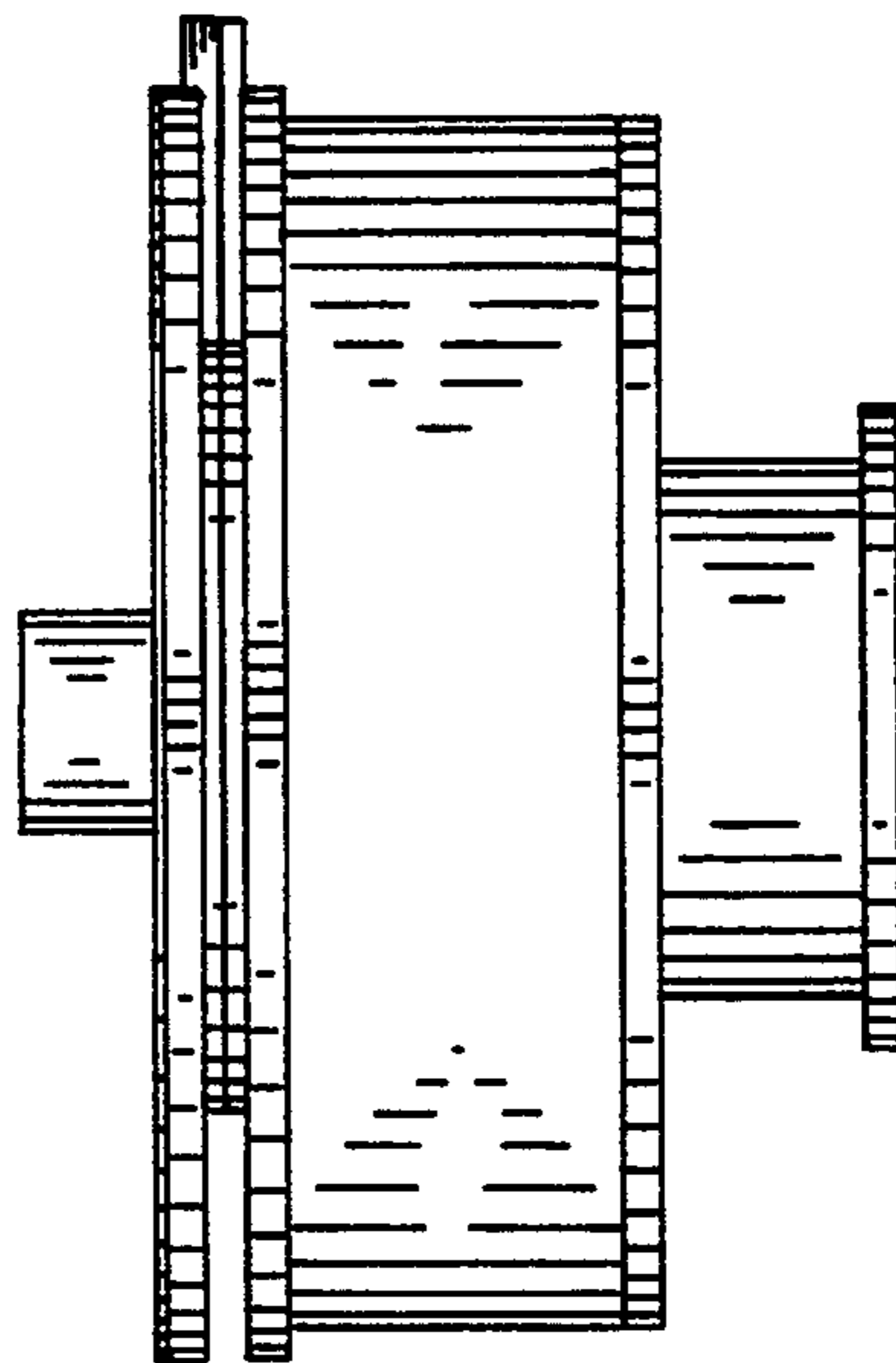


FIG. 6