



US00D353186S

# United States Patent [19]

[11] Patent Number: **Des. 353,186**

**Browning**

[45] Date of Patent: **\*\* Dec. 6, 1994**

[54] **TREE WATERER**

4,850,137	7/1989	Foster	47/79
5,157,868	10/1992	Munoz	47/79
5,267,412	12/1993	Bergin	47/79

[76] Inventor: **Leonard Browning, P.O. Box 634, Peach Springs, Ariz. 86434**

*Primary Examiner*—Wallace R. Burke  
*Assistant Examiner*—Robin V. Taylor  
*Attorney, Agent, or Firm*—Laura J. Zeman

[\*\*] Term: **14 Years**

[21] Appl. No.: **13,534**

[57] **CLAIM**

[22] Filed: **Sep. 27, 1993**

The ornamental design for a tree waterer, as shown.

[52] U.S. Cl. .... **D23/213**

**DESCRIPTION**

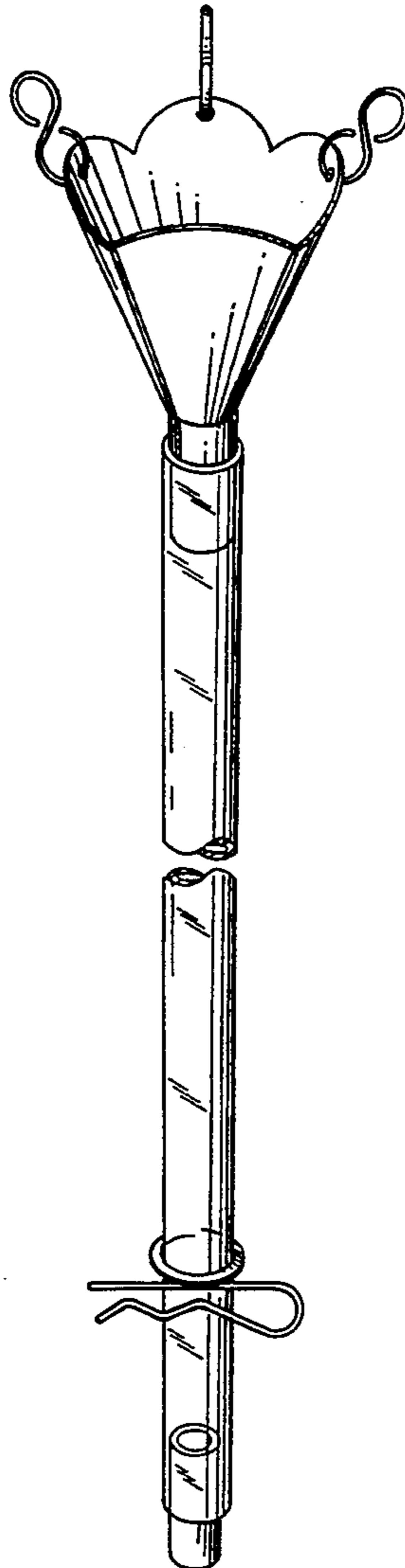
[58] Field of Search ..... 239/530, 531, 532, 529, 239/288, 288.3, 288.5, 443-444, 556-558, 525-528, 280-283, 276; 47/79, 48.5, 61, 42, 27; D8/1; D23/213, 214; D11/130.1

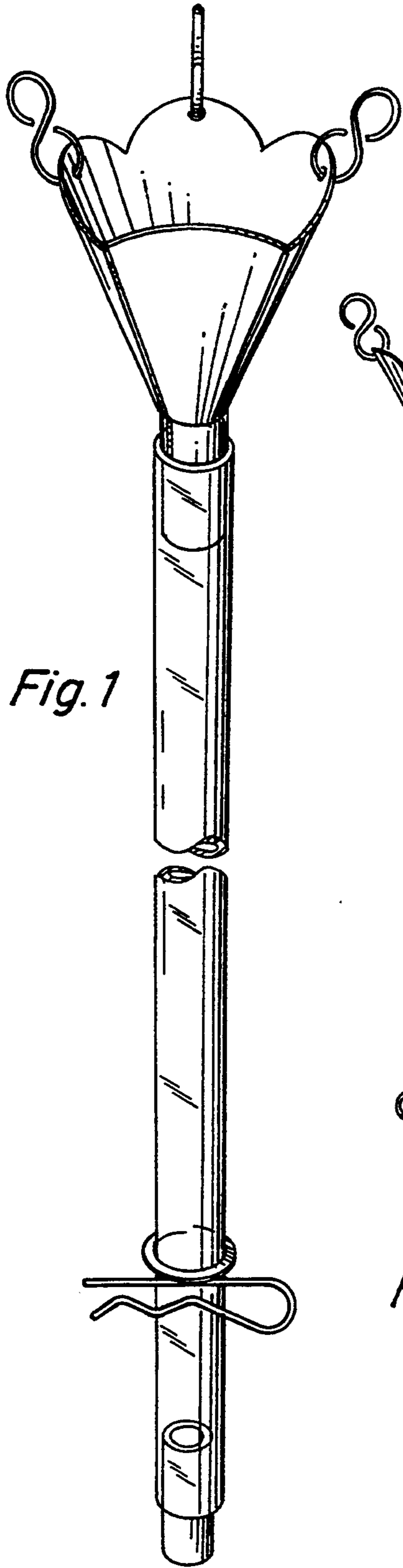
FIG. 1 is a perspective view of a tree waterer showing my new design;  
FIG. 2 is a reduced rear elevational view thereof;  
FIG. 3 is a side elevational view thereof;  
FIG. 4 is a top plan view thereof; and,  
FIG. 5 is a bottom plan view thereof.  
The tube has been shown broken away in FIGS. 1-3 to indicate indeterminate length.

[56] **References Cited**

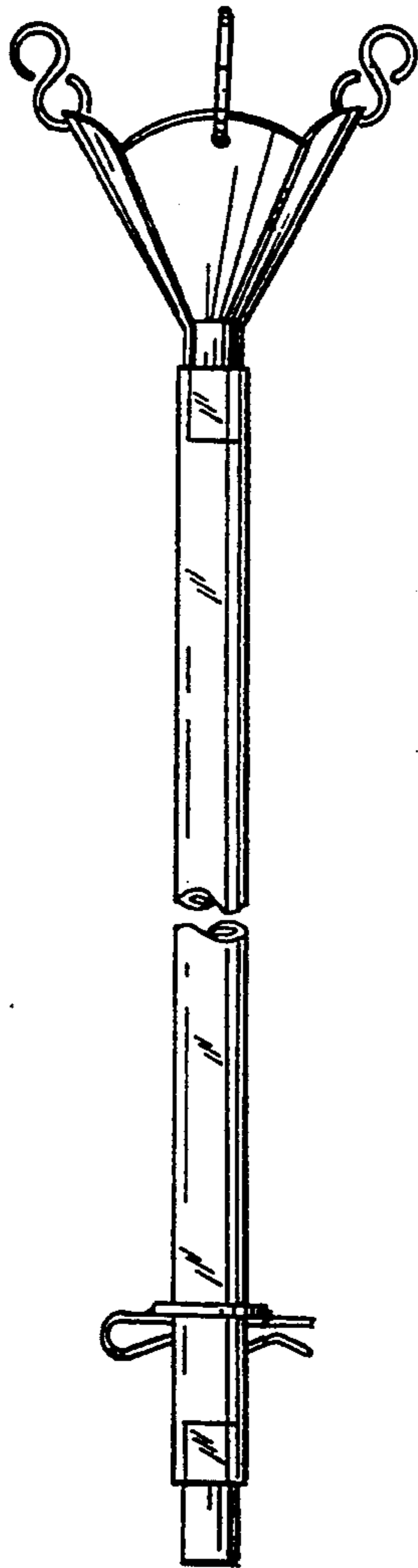
**U.S. PATENT DOCUMENTS**

D. 331,865	12/1992	Parker	D8/1
3,469,342	9/1969	Morris	47/79

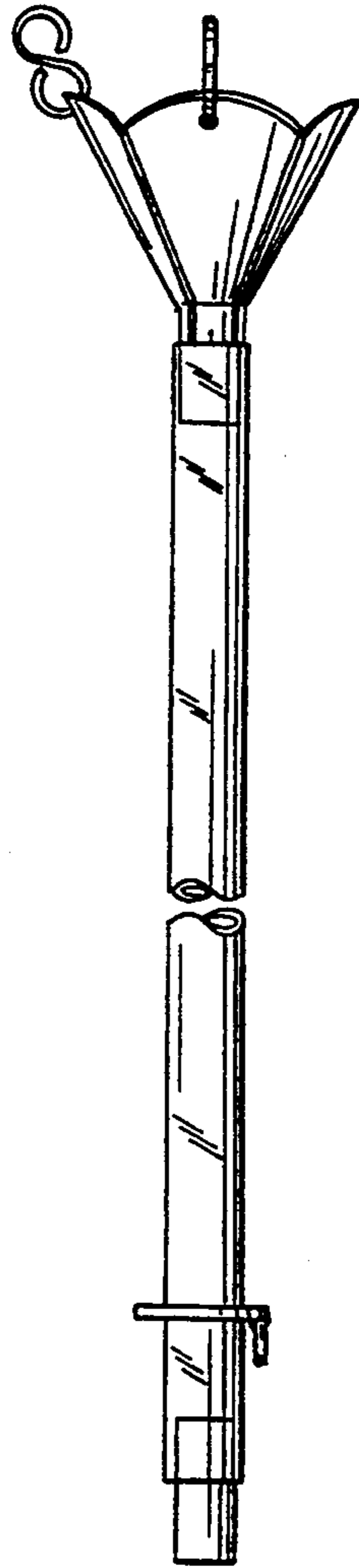




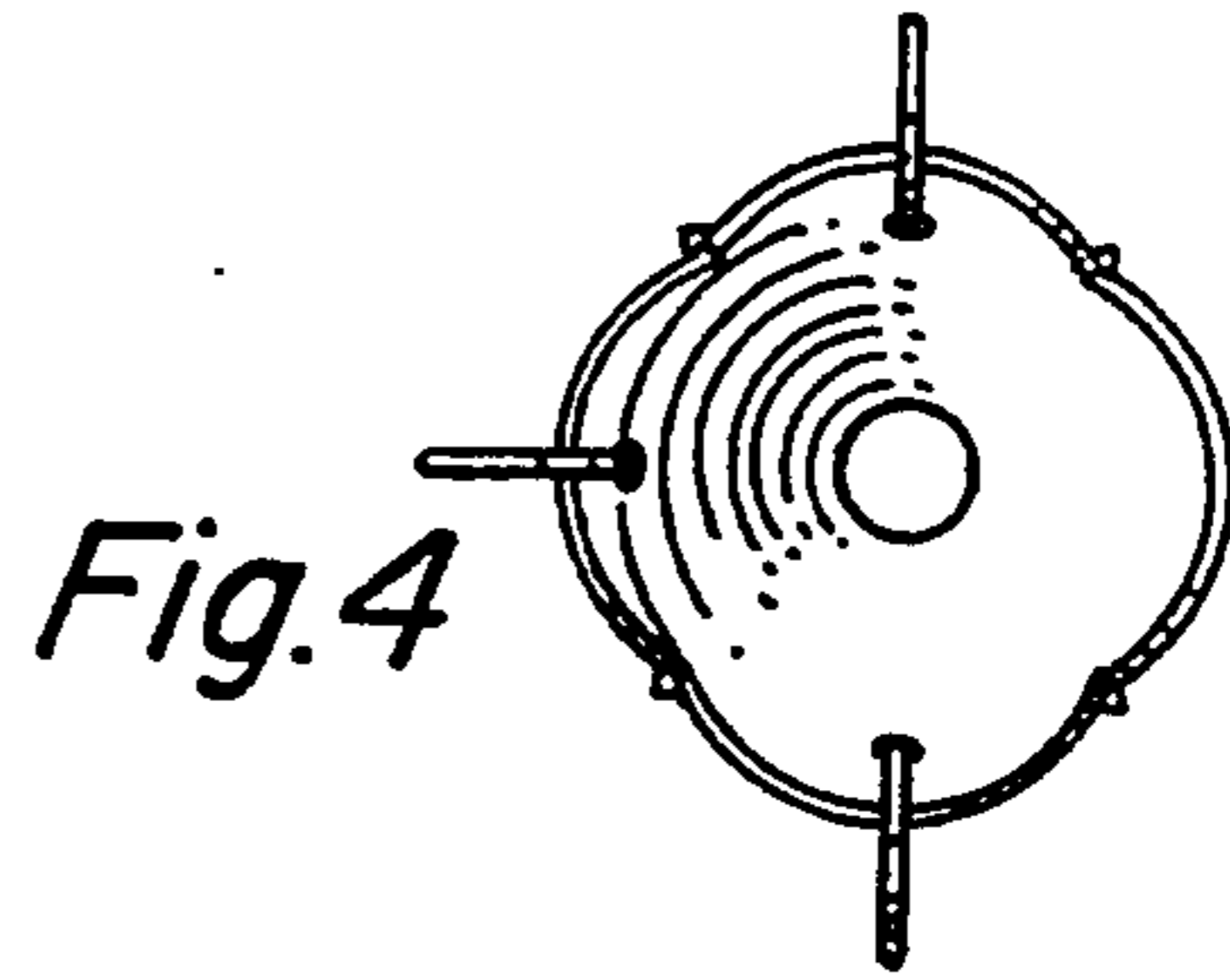
*Fig. 1*



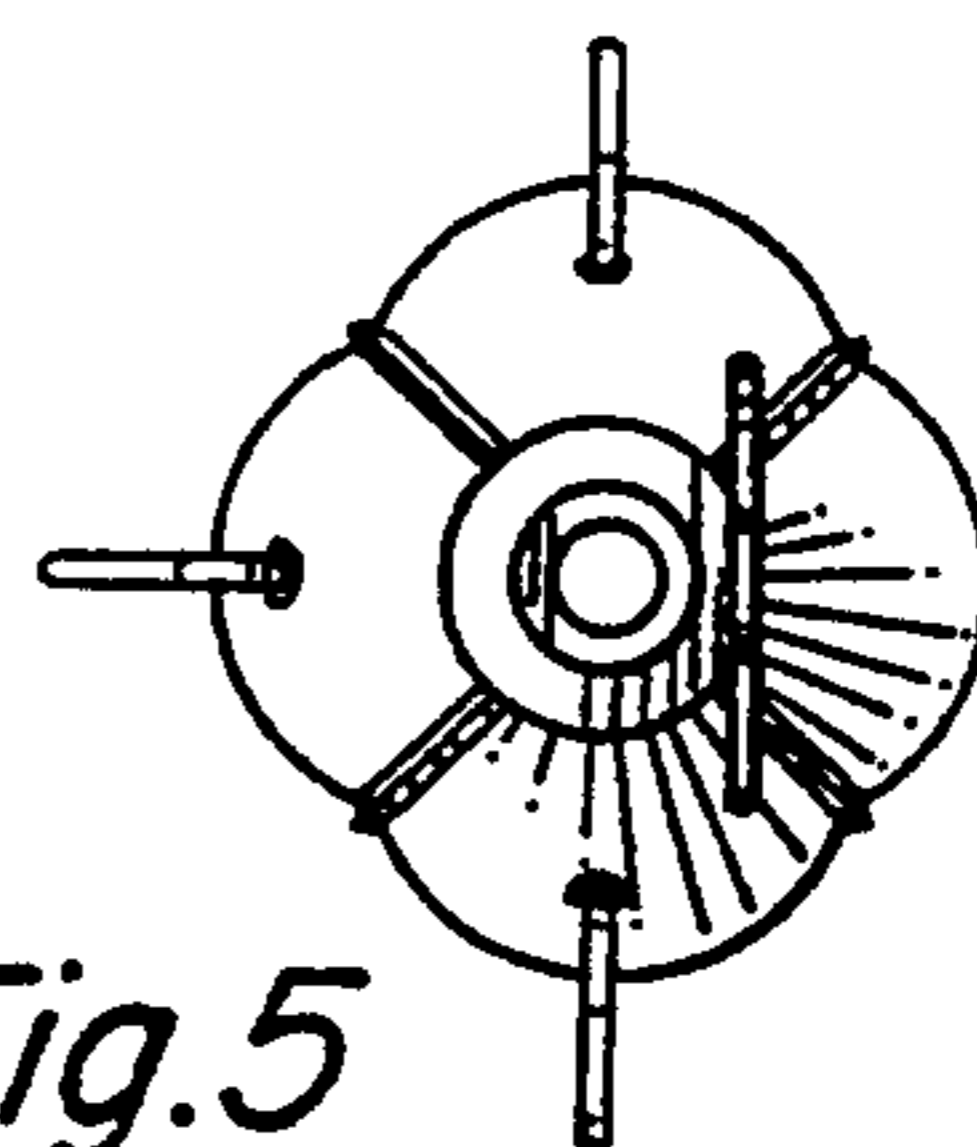
*Fig. 2*



*Fig. 3*



*Fig. 4*



*Fig. 5*