



US00D353185S

# United States Patent [19]

[11] Patent Number: **Des. 353,185**

Mitchell

[45] Date of Patent: **\*\* Dec. 6, 1994**

[54] **HOLDER FOR SERVICING BUTANE GAS BOTTLES**

5,100,007 3/1992 Espasandin et al. .... 248/313 X  
5,163,648 11/1992 Schneider ..... 248/310 X

[76] Inventor: **Albert H. Mitchell, 12016 Saddle Horn, Mansfield, Tex. 76063**

*Primary Examiner*—Wallace R. Burke  
*Assistant Examiner*—M. H. Tung  
*Attorney, Agent, or Firm*—Charles W. McHugh

[\*\*] Term: **14 Years**

[57] **CLAIM**

[21] Appl. No.: **853,154**

The ornamental design for a holder for servicing butane gas bottles, as shown.

[22] Filed: **Mar. 17, 1992**

[52] U.S. Cl. .... **D23/206**

[58] Field of Search ..... **D8/354, 373; 248/230, 248/310, 312-313; 211/71, 74; D23/206**

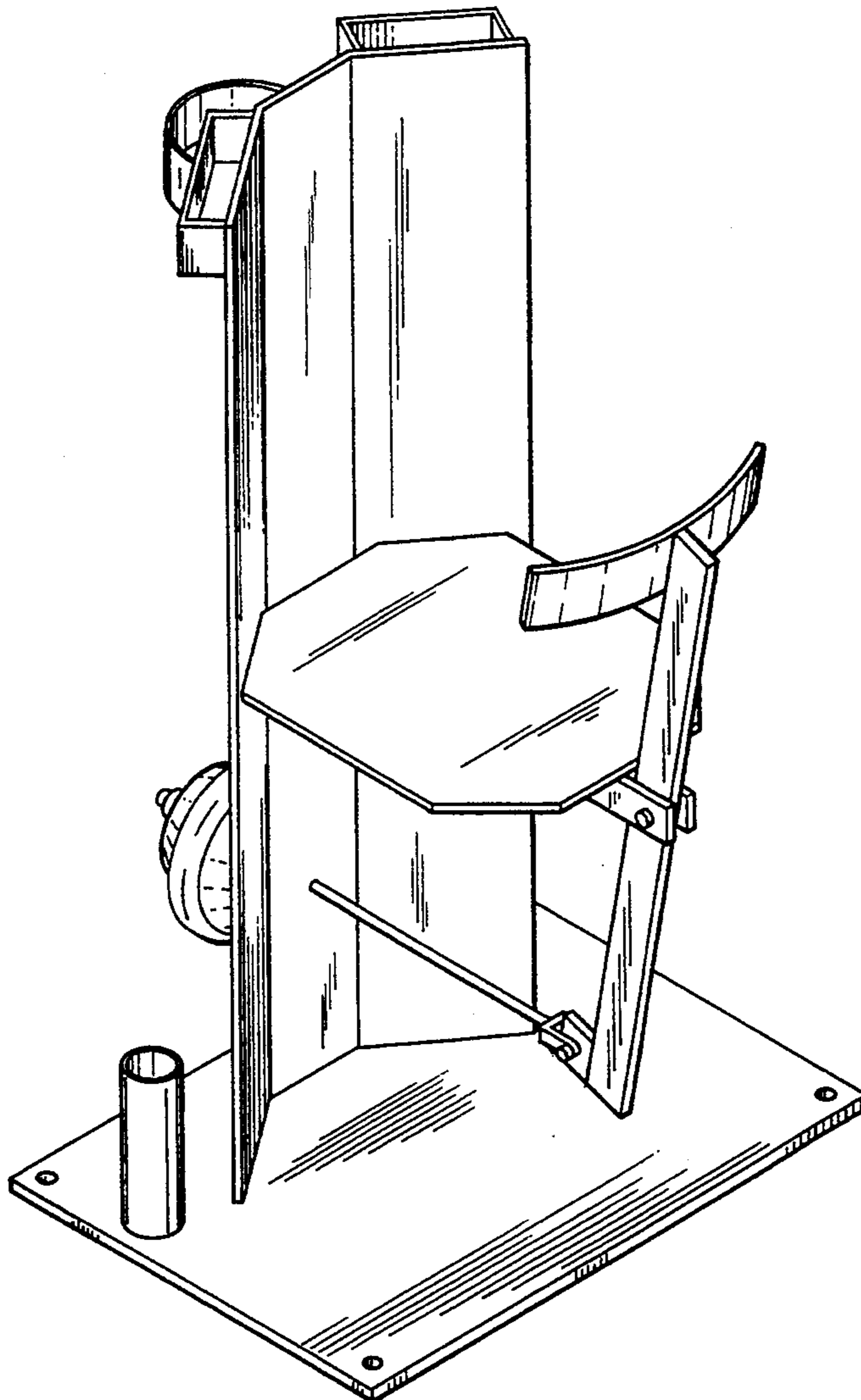
**DESCRIPTION**

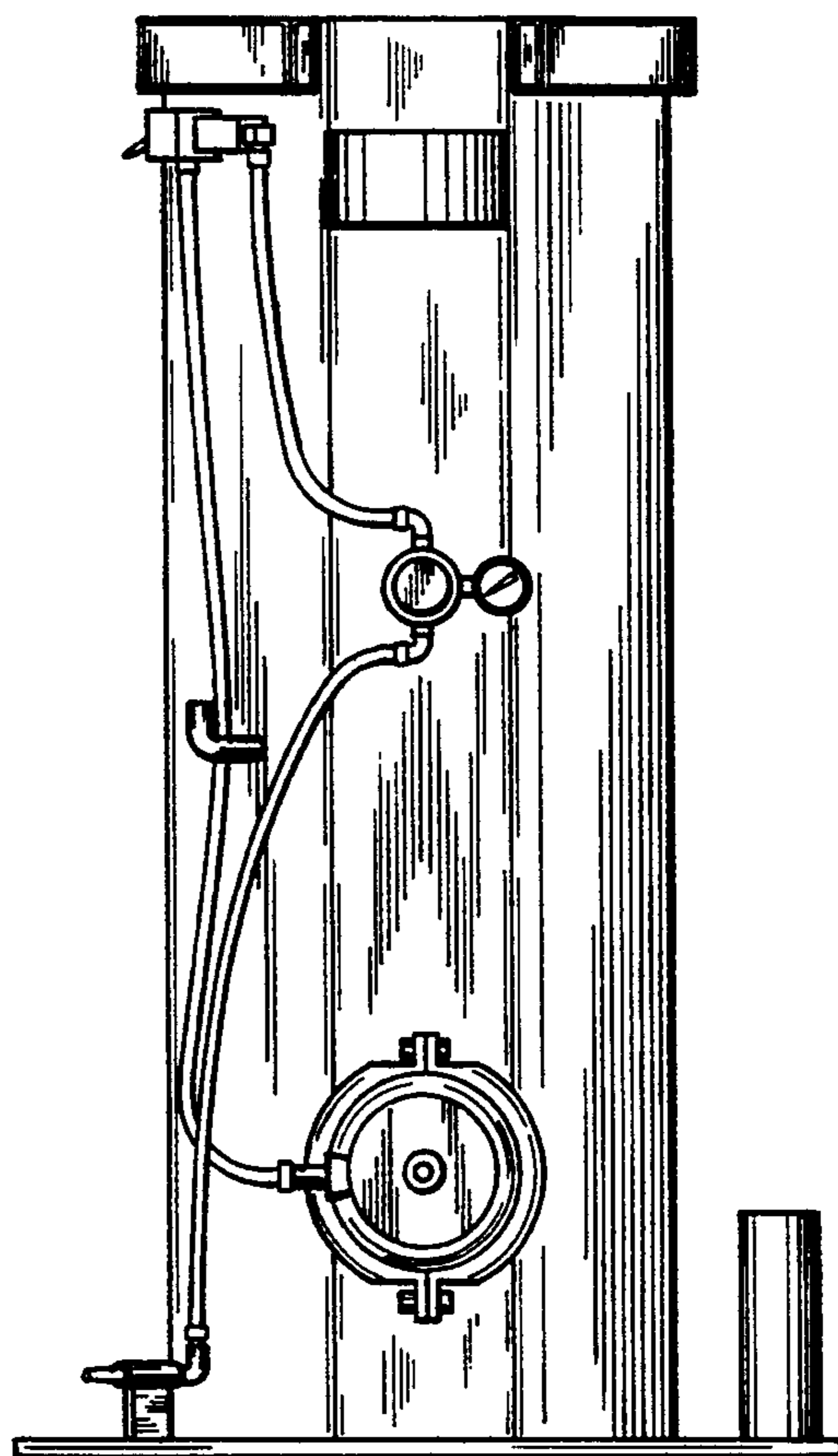
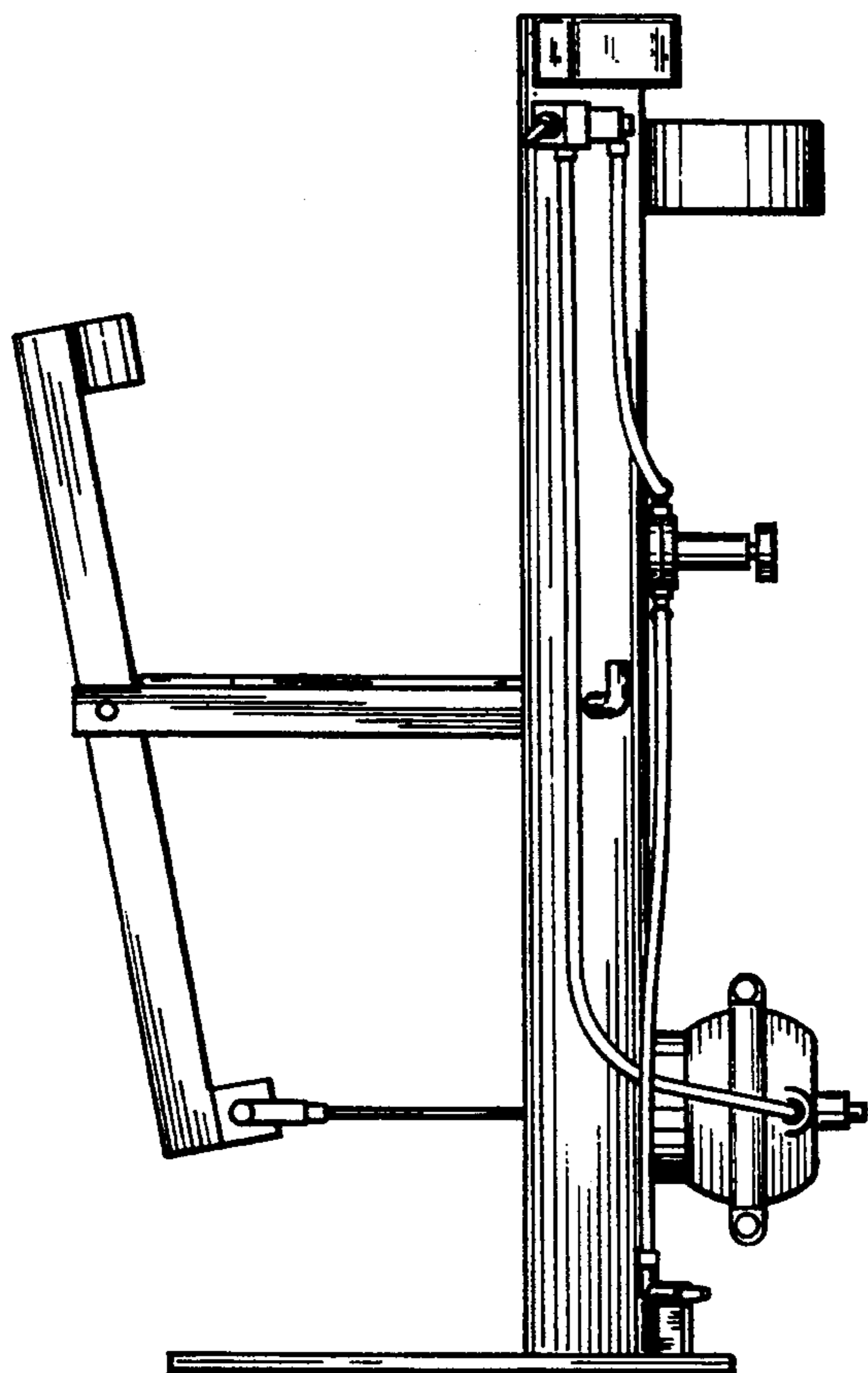
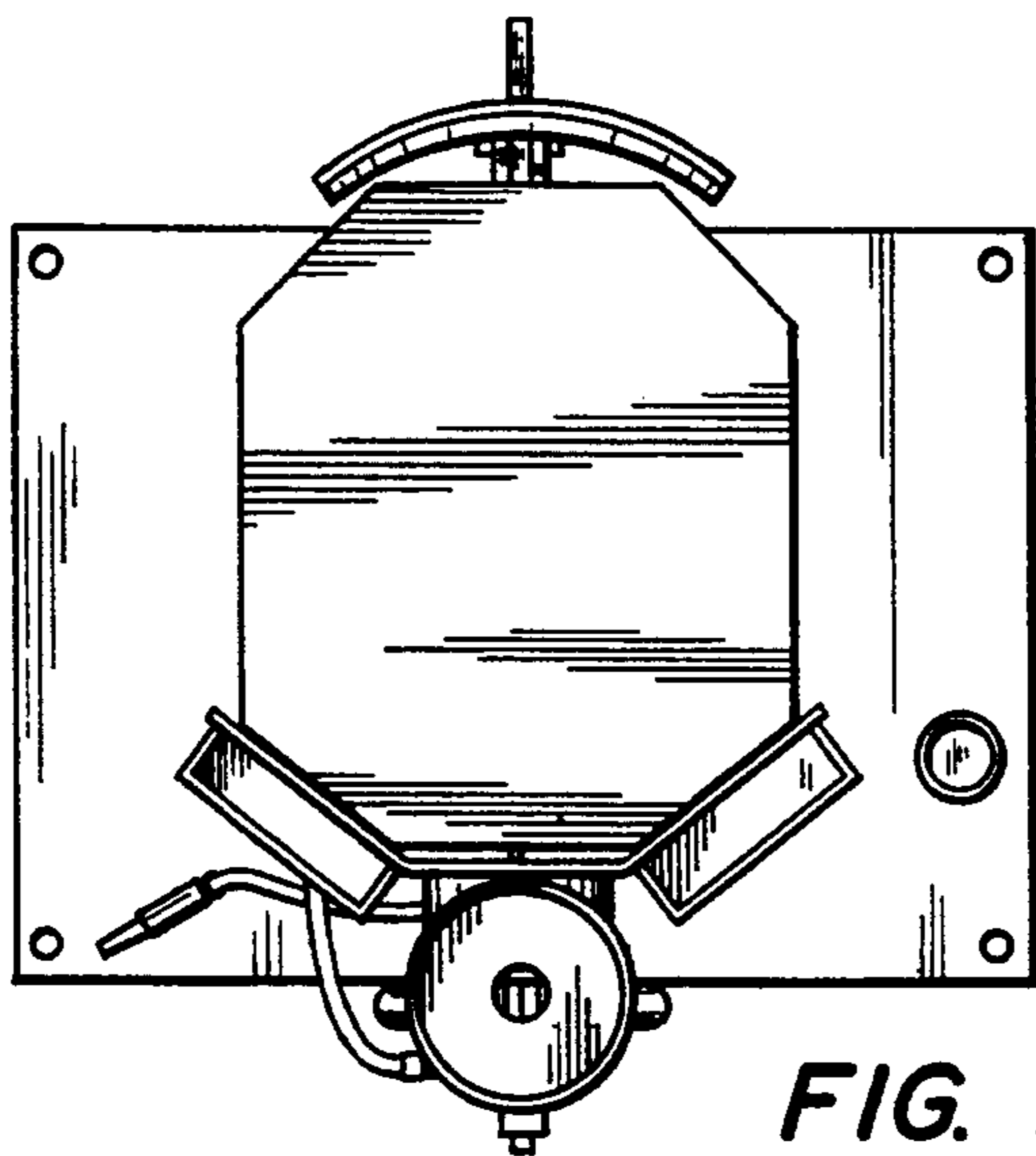
[56] **References Cited**

**U.S. PATENT DOCUMENTS**

- D. 237,750 11/1975 Martin ..... D23/206 X
- D. 262,078 12/1981 Newton ..... D23/206 X
- 4,013,255 3/1977 Sentinella ..... 248/313
- 4,304,383 12/1981 Huston ..... 248/313

FIG. 1 is a top plan view of a holder for servicing butane gas bottles showing my new design; FIG. 2 is a left side elevational view thereof; FIG. 3 is a rear elevational view thereof; FIG. 4 is a front elevational view thereof; FIG. 5 is a right side elevational view thereof; FIG. 6 is a bottom plan view thereof; and, FIG. 7 is a perspective view thereof.





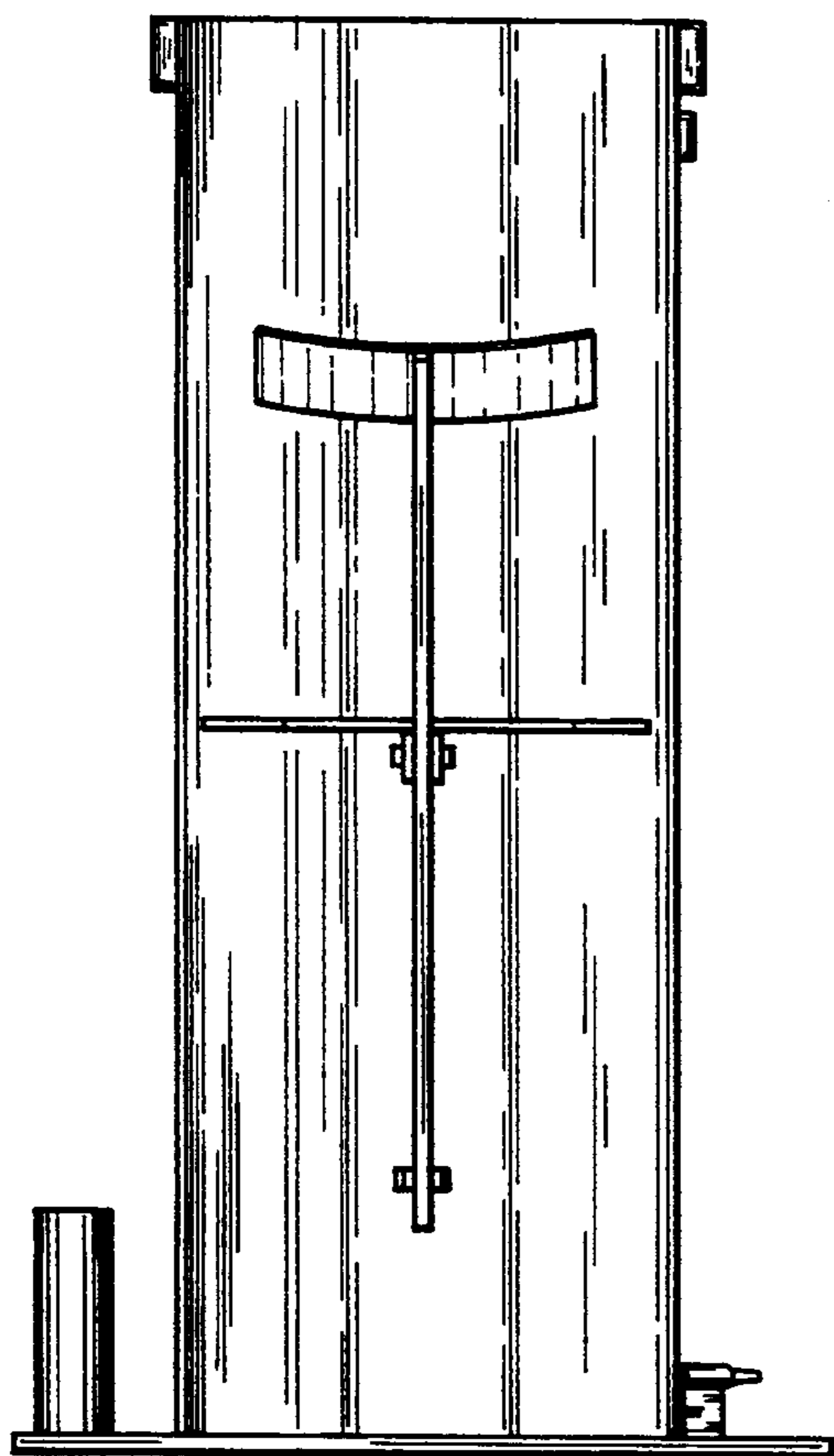


FIG. 4

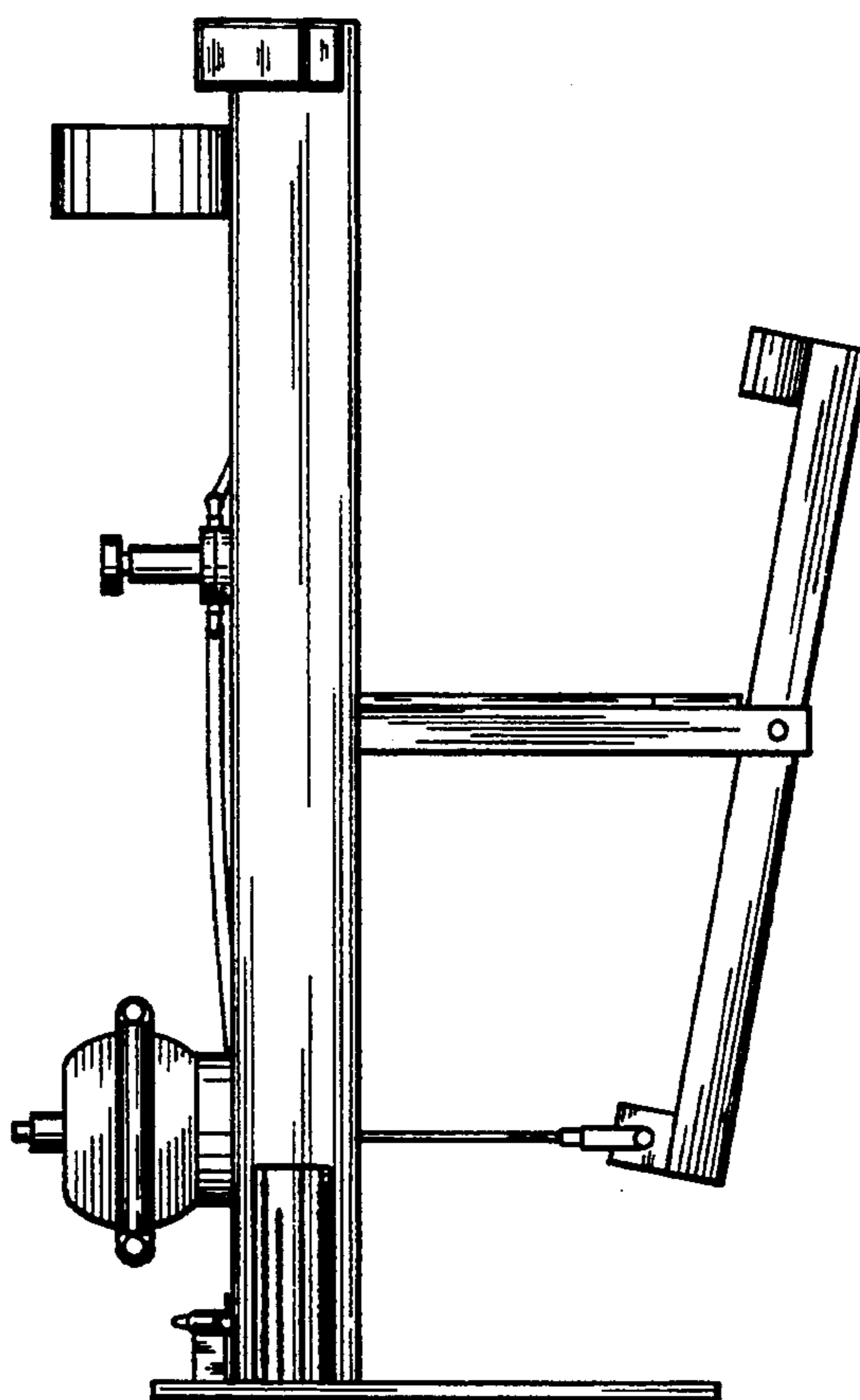


FIG. 5

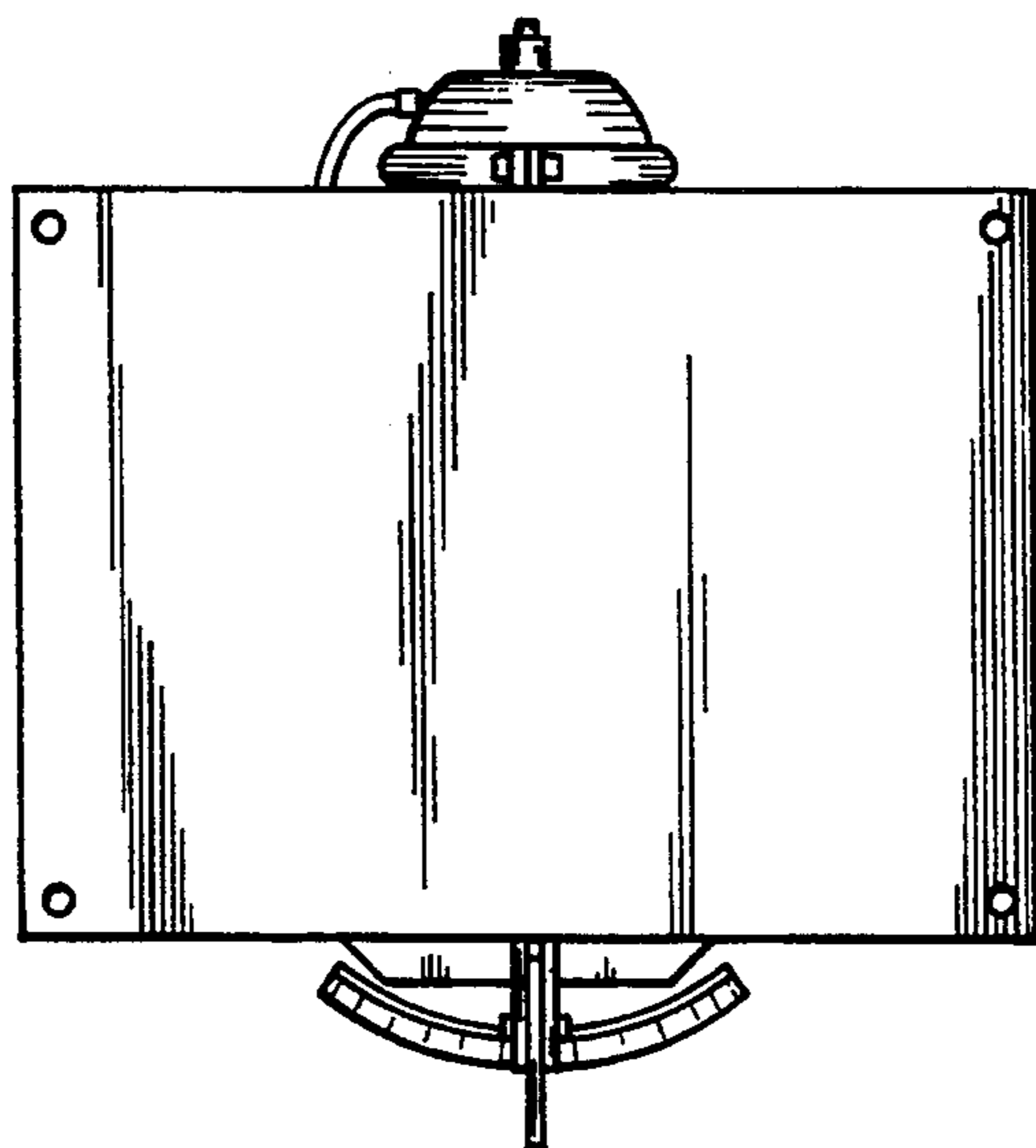


FIG. 6

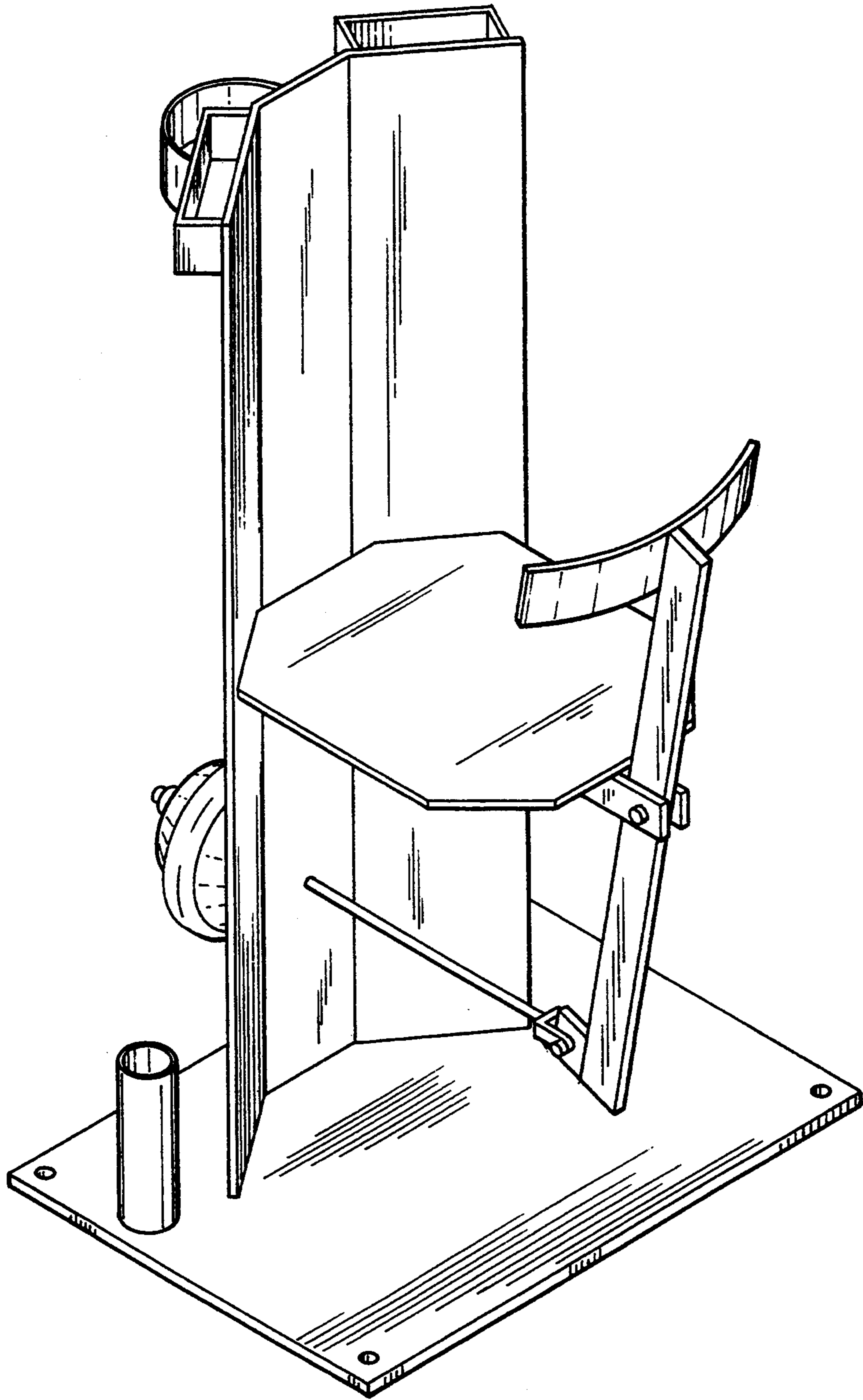


FIG. 7