



US00D353183S

United States Patent [19]

[11] Patent Number: **Des. 353,183**

Kirby

[45] Date of Patent: **** Dec. 6, 1994**

[54] **FISHING REEL**

[76] Inventor: **Thomas G. Kirby**, 304 W. Key West,
Broken Arrow, Okla. 74011

[**] Term: **14 Years**

[21] Appl. No.: **6,429**

[22] Filed: **Mar. 26, 1993**

[52] U.S. Cl. **D22/141**

[58] Field of Search 242/224, 234-240,
242/311, 312; D22/140, 141

[56] **References Cited**

U.S. PATENT DOCUMENTS

- D. 273,884 5/1984 Fee et al. D22/141
- D. 273,885 5/1984 Robbins D22/141
- D. 273,886 5/1984 Fee et al. D22/141
- D. 276,254 11/1984 Robbins D22/141
- D. 281,093 10/1985 Helmovics et al. D22/141

- D. 290,636 6/1987 Robbins D22/141
- D. 291,108 7/1987 Robbins D22/141
- D. 314,603 2/1991 Jackson et al. D22/141
- D. 314,604 2/1991 Jackson et al. D22/141

Primary Examiner—A. Hugo Word

Assistant Examiner—Doris V. Coles

[57] **CLAIM**

The ornamental design for a fishing reel, as shown.

DESCRIPTION

FIG. 1 is a front elevational view of a fishing reel, showing my new design;

FIG. 2 is a top plan view thereof;

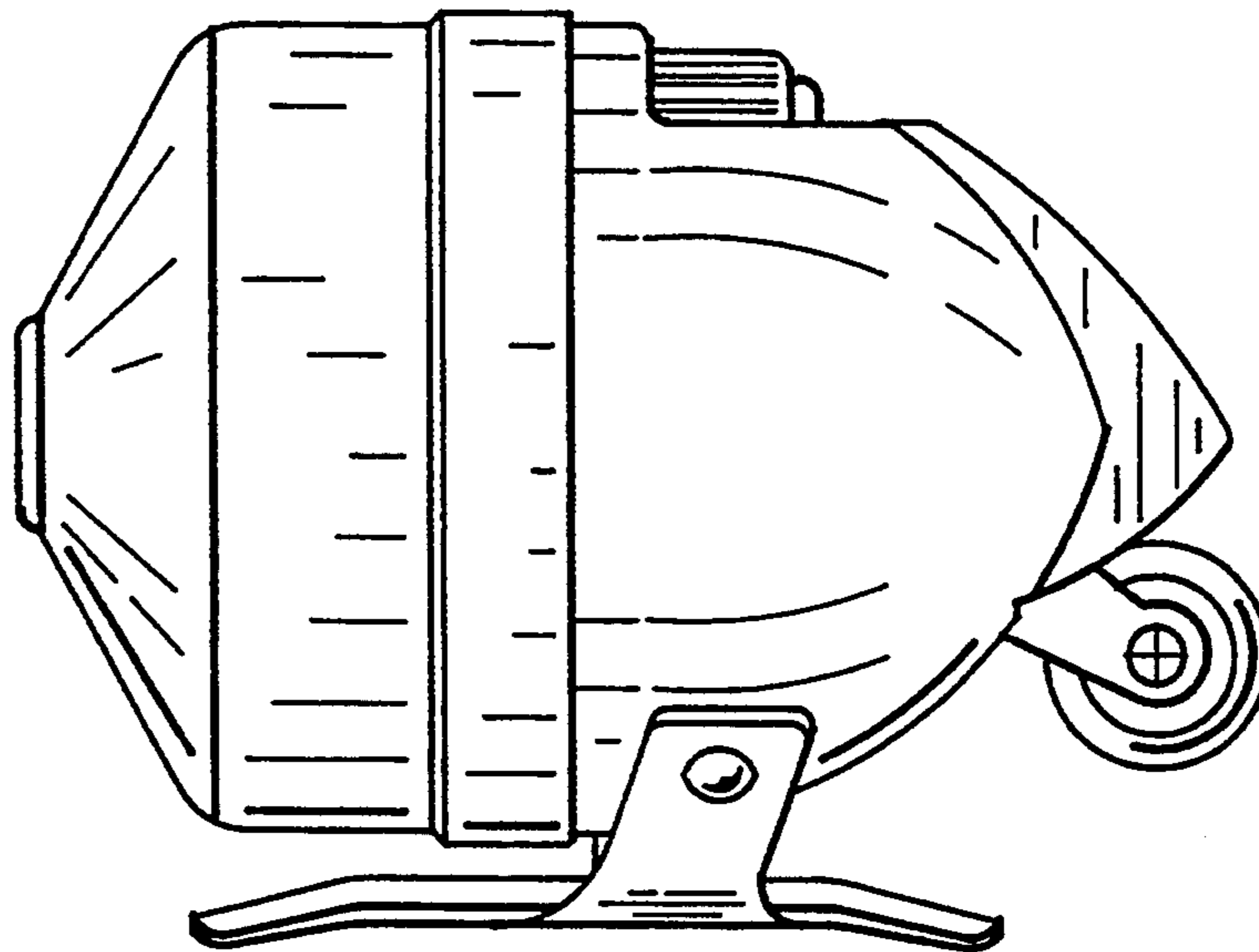
FIG. 3 is a bottom plan view thereof;

FIG. 4 is a left side elevational view thereof;

FIG. 5 is a right side elevational view thereof;

FIG. 6 is a rear elevational view thereof; and,

FIG. 7 is a top/rear, perspective view thereof.



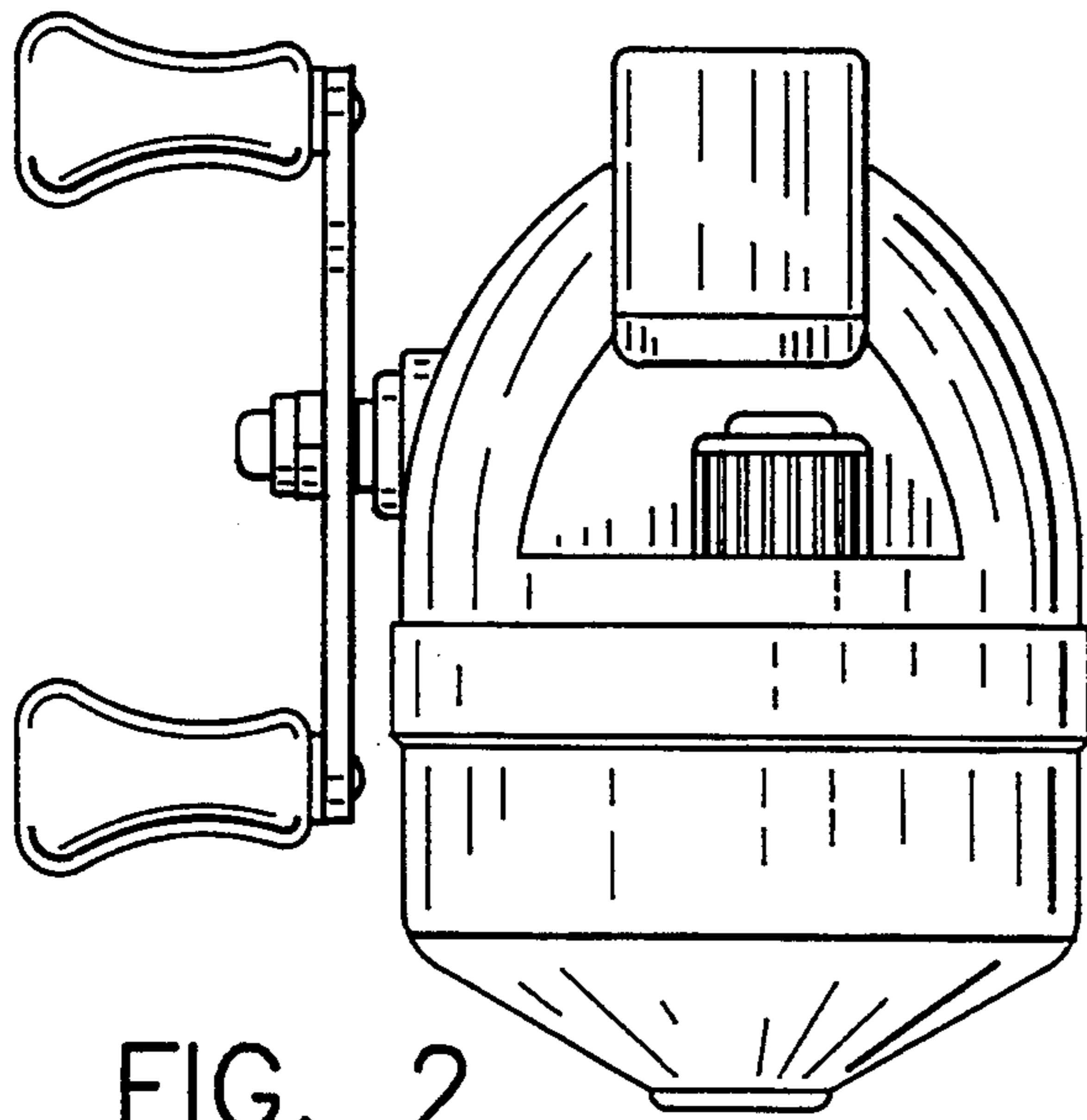


FIG. 2

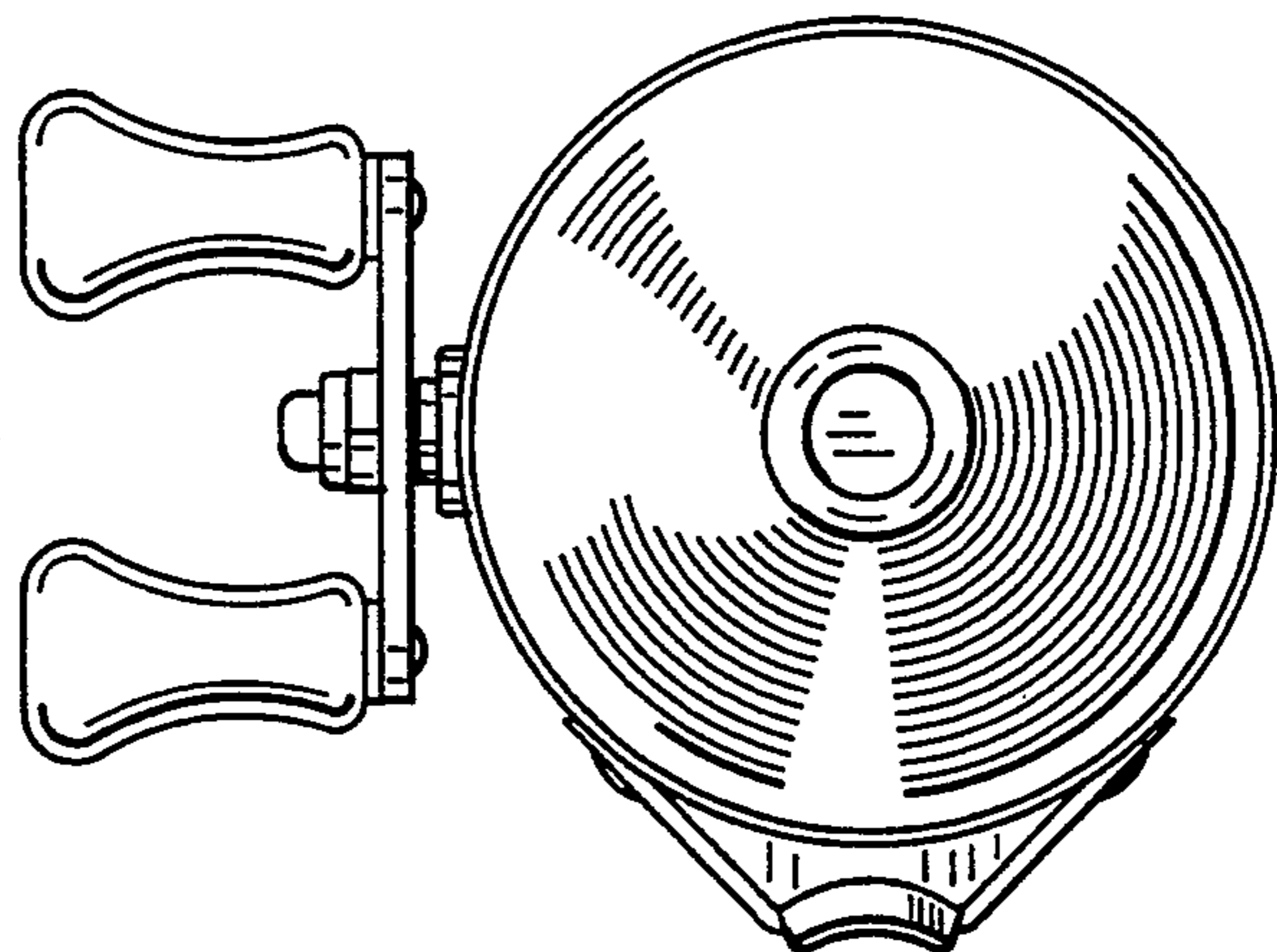


FIG. 1

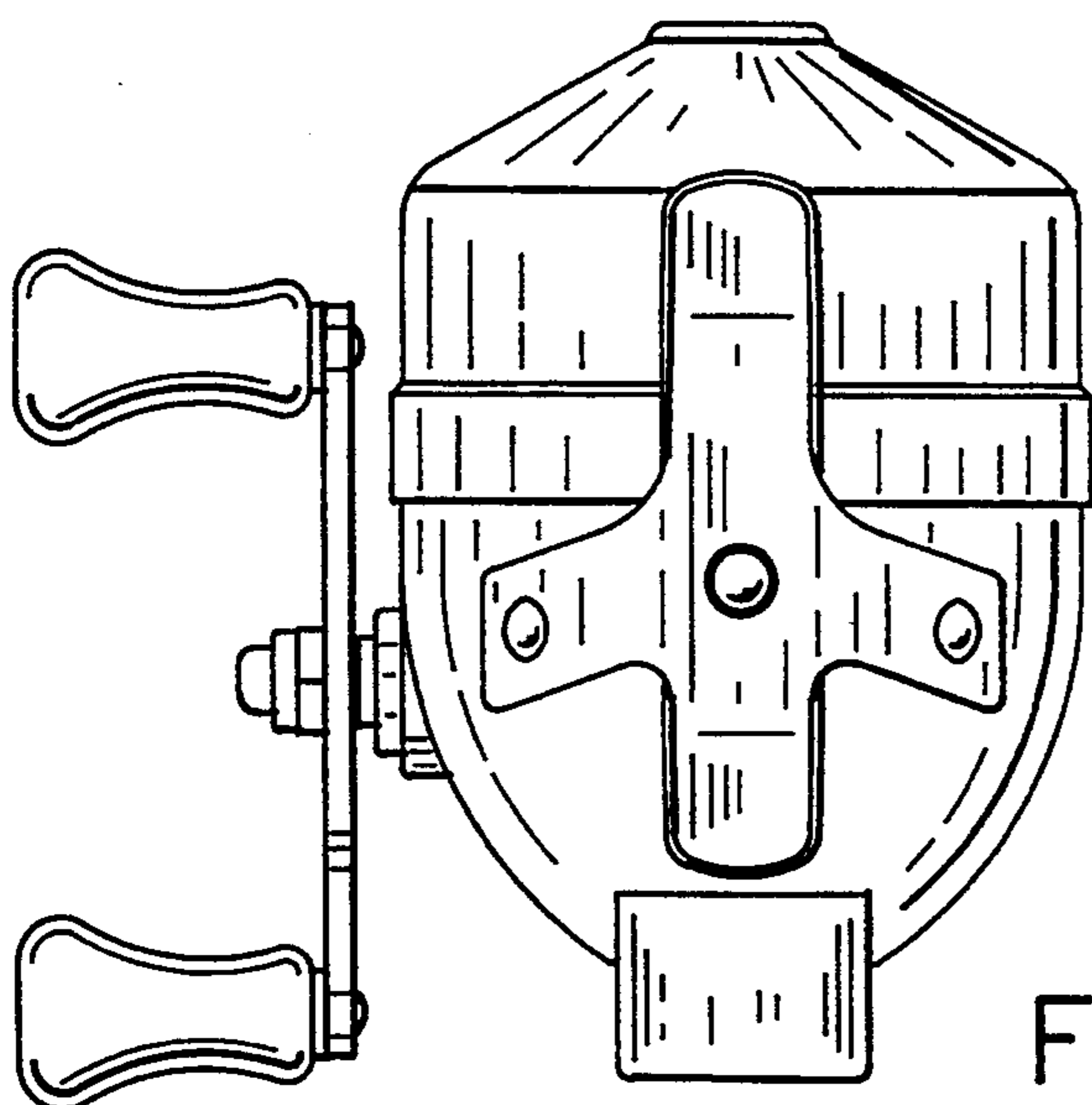


FIG. 3

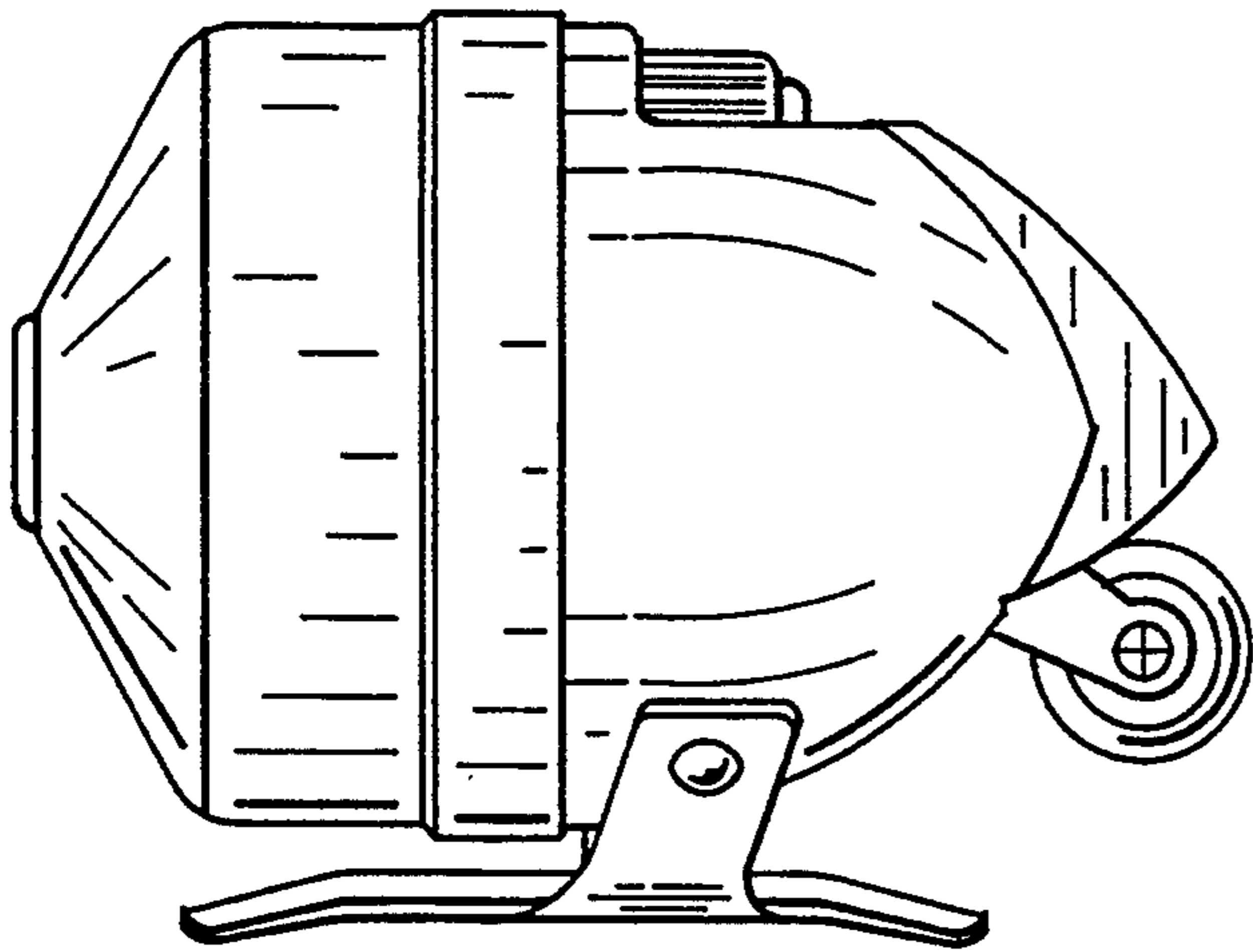


FIG. 4

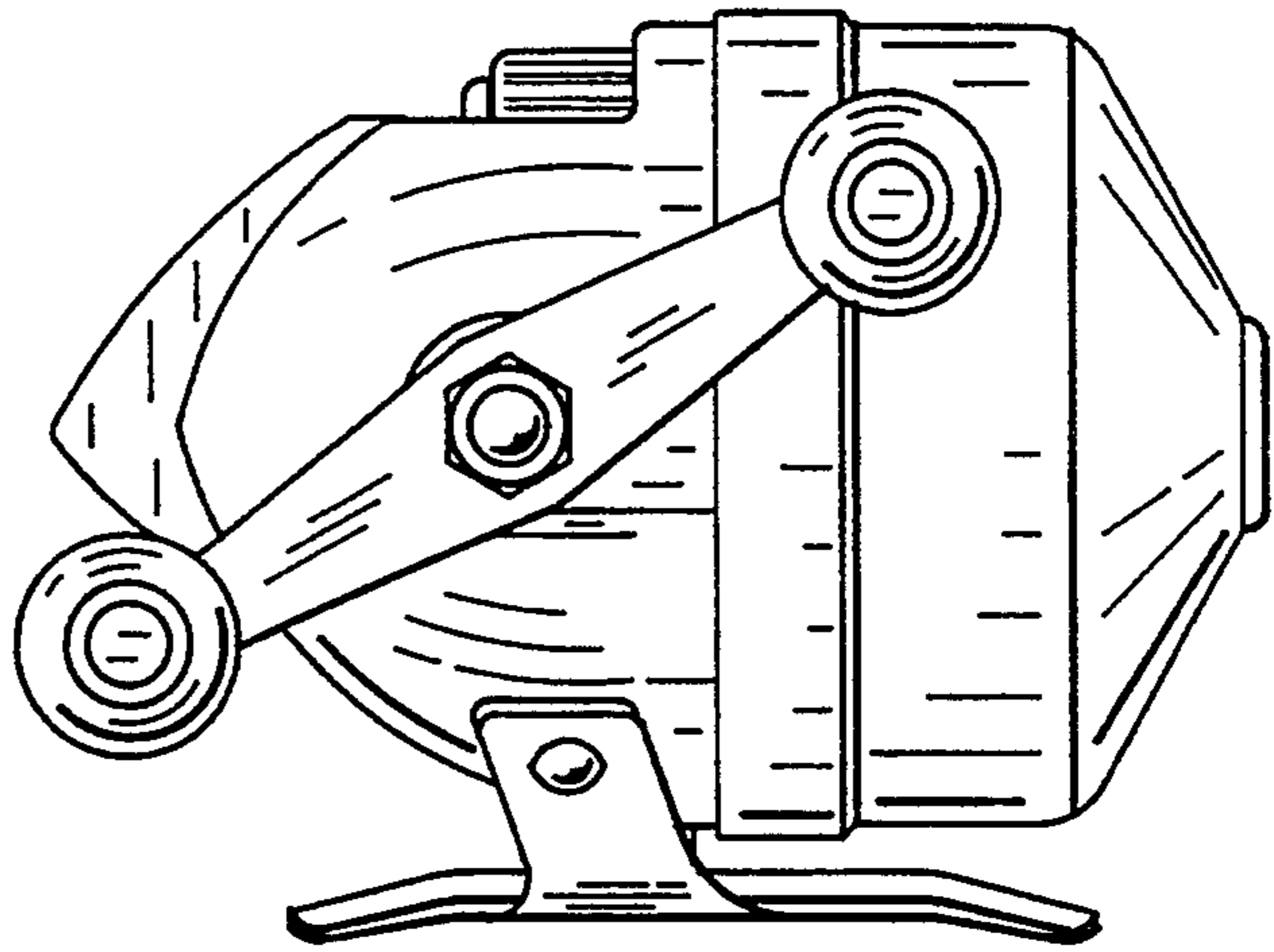


FIG. 5

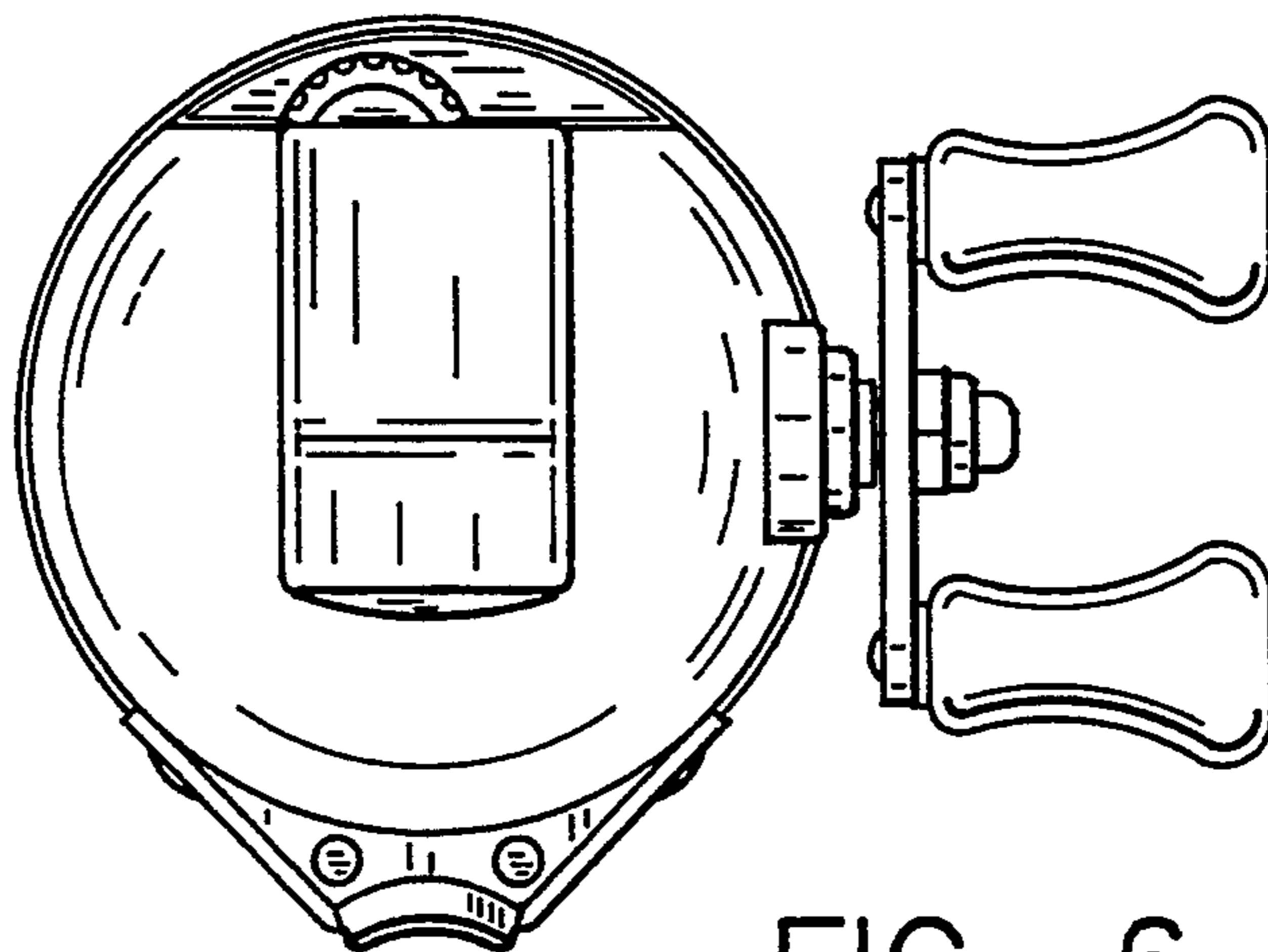


FIG. 6

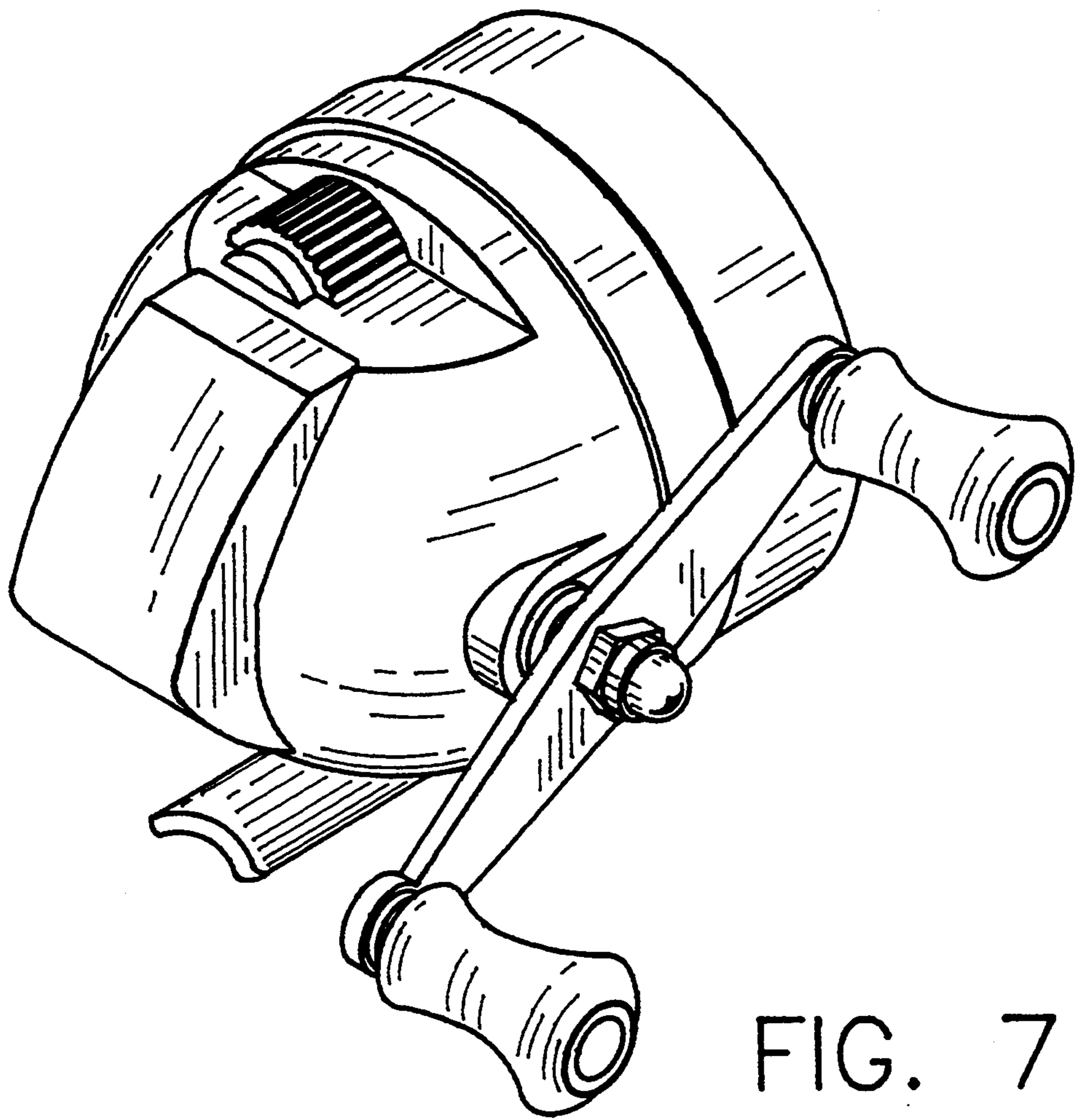


FIG. 7