



US00D353182S

**United States Patent** [19]

[11] **Patent Number: Des. 353,182**

**Rubin**

[45] **Date of Patent: \*\* Dec. 6, 1994**

[54] **SLING SHOT HANDLE**

[75] **Inventor: Arnold Rubin, Encino, Calif.**

[73] **Assignee: Funrise Toys Ltd., Kowloon, Hong Kong**

[\*\*] **Term: 14 Years**

[21] **Appl. No.: 940,170**

[22] **Filed: Sep. 3, 1992**

[52] **U.S. Cl. .... D22/106**

[58] **Field of Search ..... 124/20.1; D22/106; D21/145**

[56] **References Cited**

**U.S. PATENT DOCUMENTS**

3,018,770	1/1962	Saunders	.....	D22/106 X
3,923,034	12/1975	Wolf	.....	D21/145 X
4,273,094	6/1981	Hogan	.....	124/20.1

**FOREIGN PATENT DOCUMENTS**

2035106	6/1980	United Kingdom	.....	D22/X
---------	--------	----------------	-------	-------

**OTHER PUBLICATIONS**

Netcraft Fishing Tackle, ©1967, p. 133, "Fireball Slingshot".

*Primary Examiner*—A. Hugo Word  
*Assistant Examiner*—Doris V. Coles  
*Attorney, Agent, or Firm*—Lewis Anten

[57] **CLAIM**

The ornamental design for a sling shot handle, as shown and described.

**DESCRIPTION**

FIG. 1 is a right perspective view of the sling shot handle showing my claimed design;

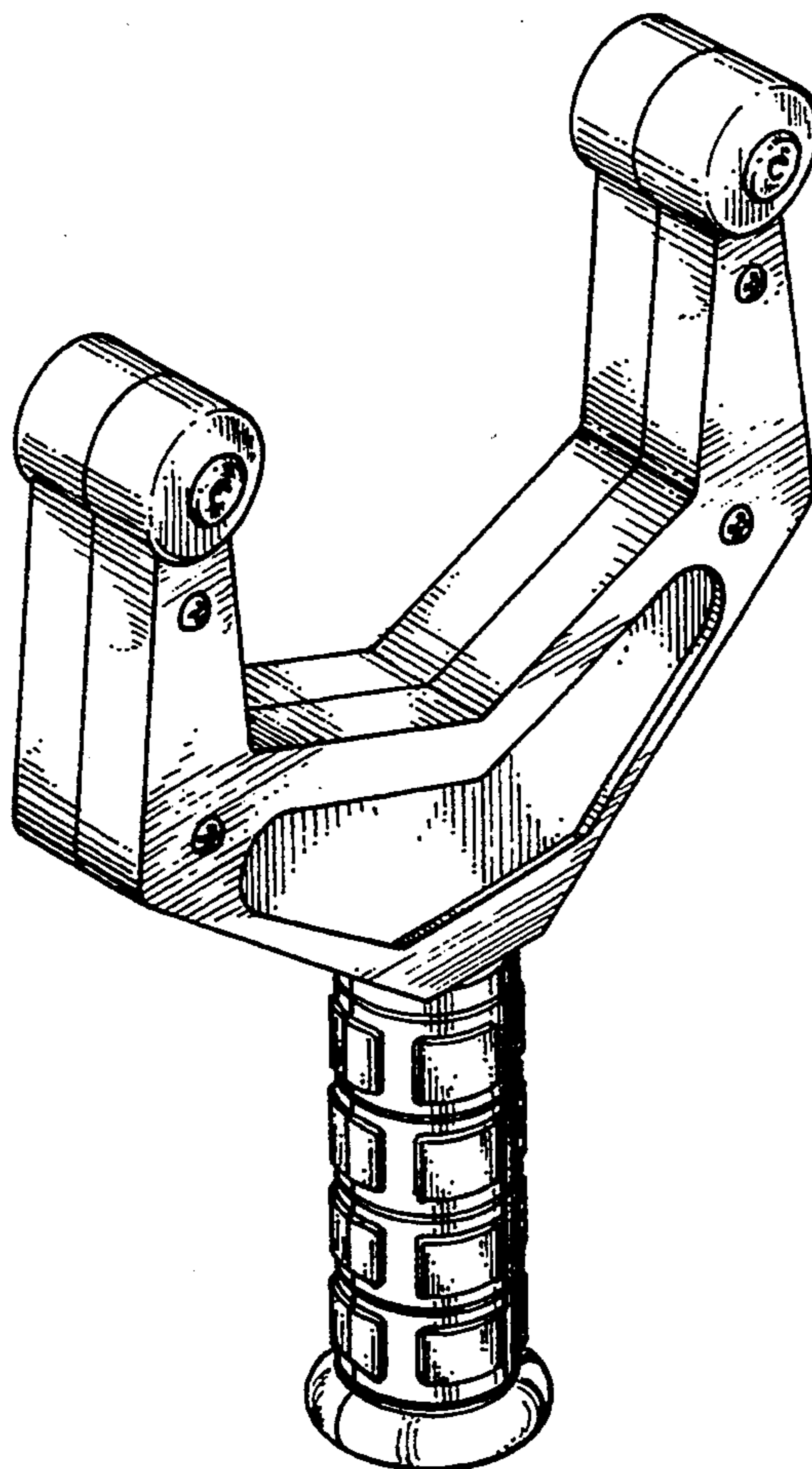
FIG. 2 is a front view of the sling shot handle of FIG. 1;

FIG. 3 is a right side view of the sling shot handle of FIG. 1. The left side view is the same as the right side view;

FIG. 4 is a bottom plan view of the sling shot handle of FIG. 1;

FIG. 5 is a top plan view of the sling shot handle of FIG. 1; and,

FIG. 6 is a rear view of the sling shot handle of FIG. 1.



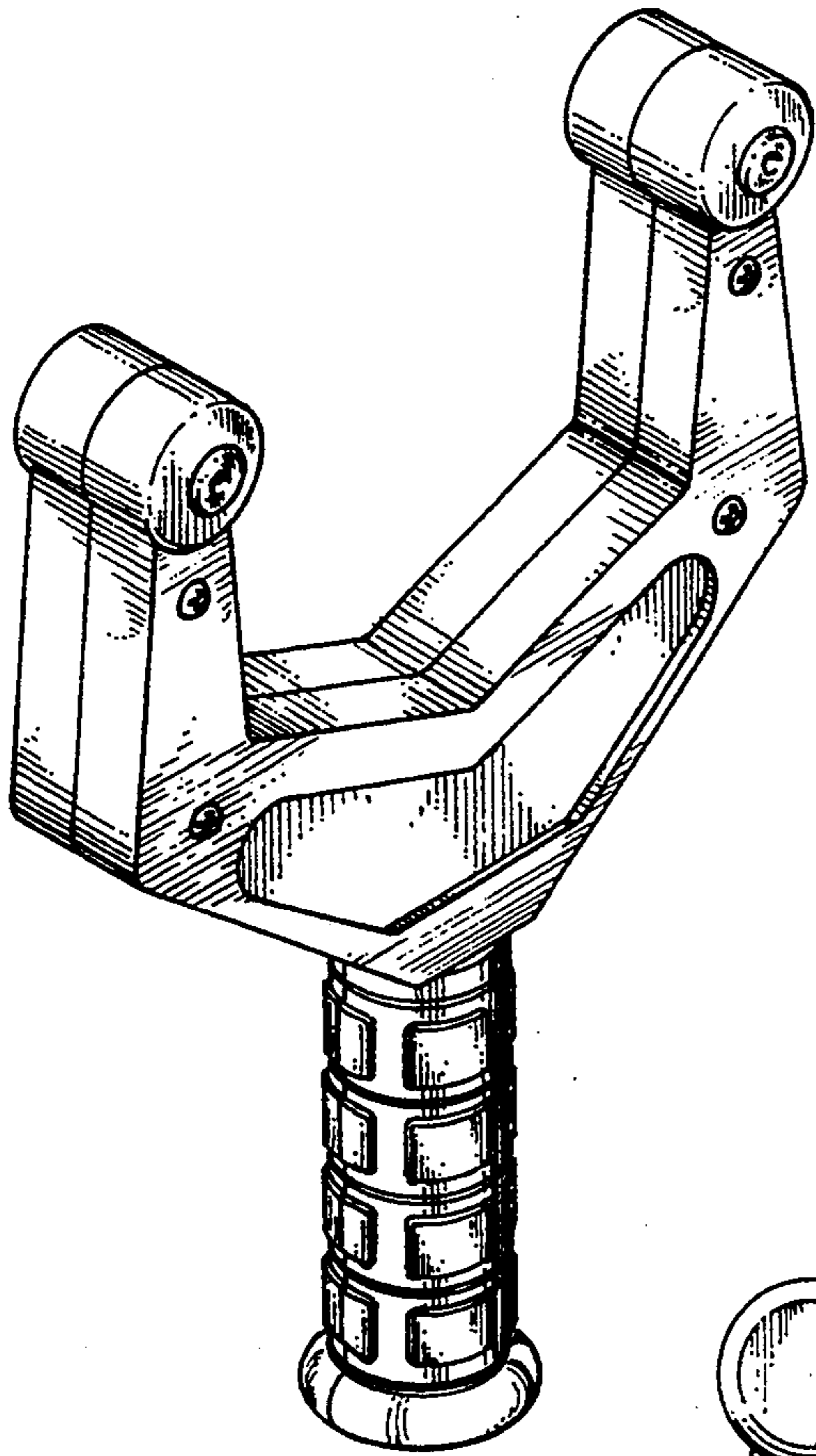


FIG. 1

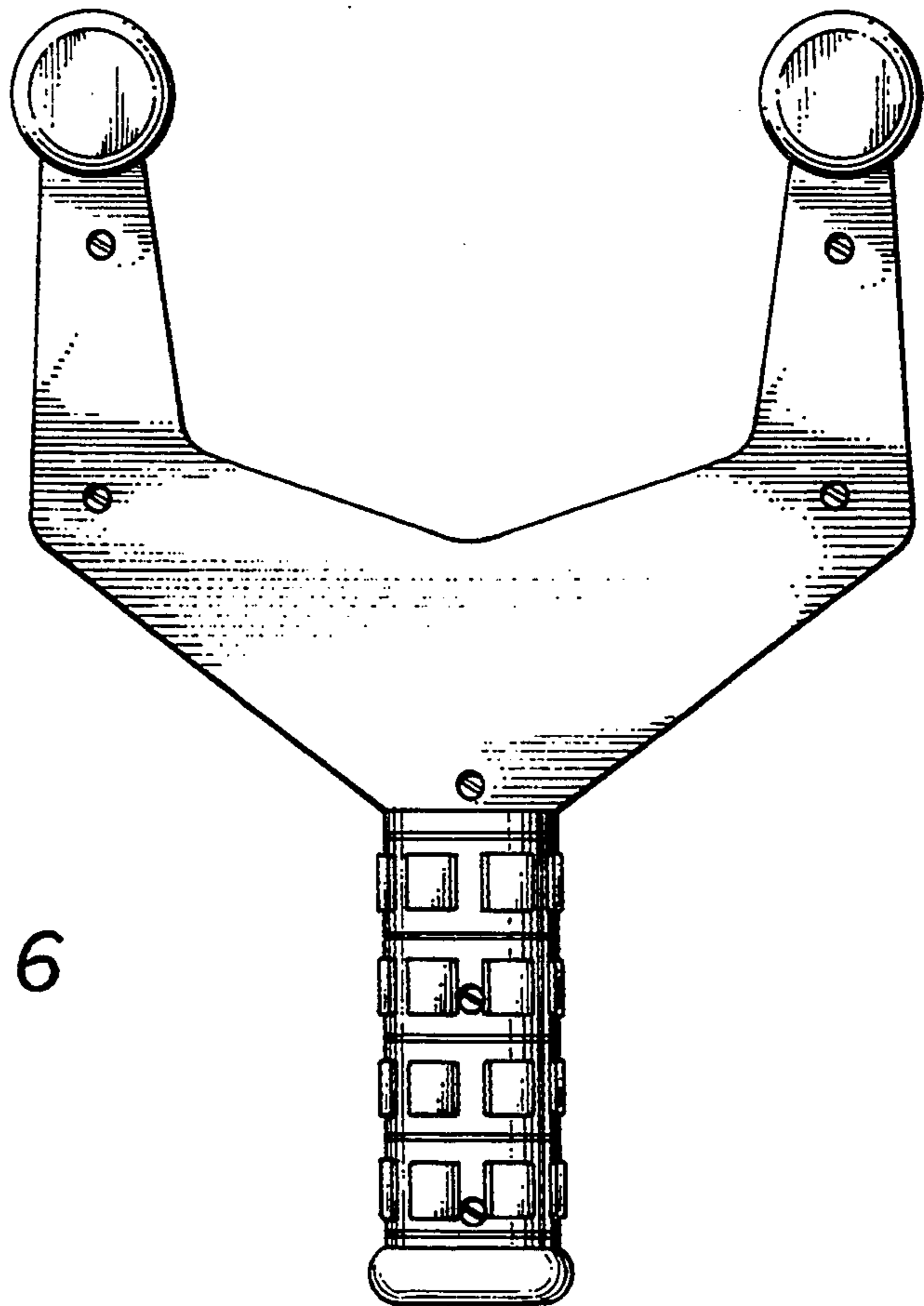


FIG. 6

FIG. 5

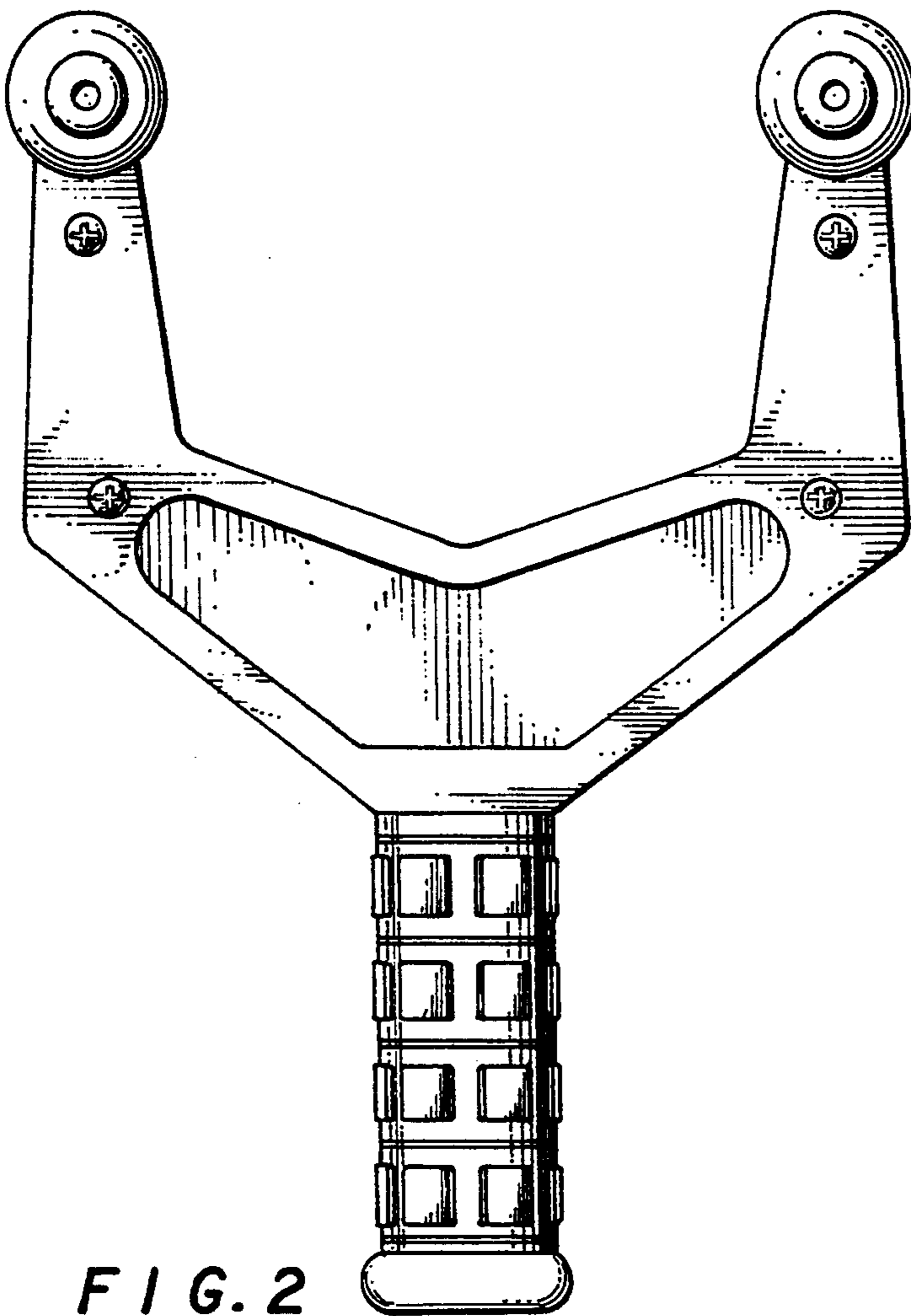
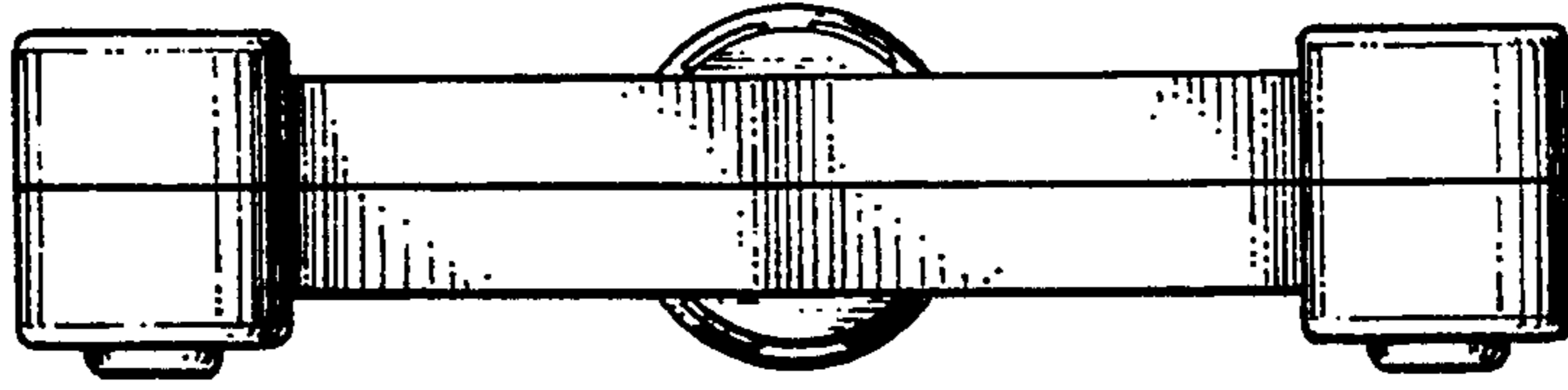


FIG. 2

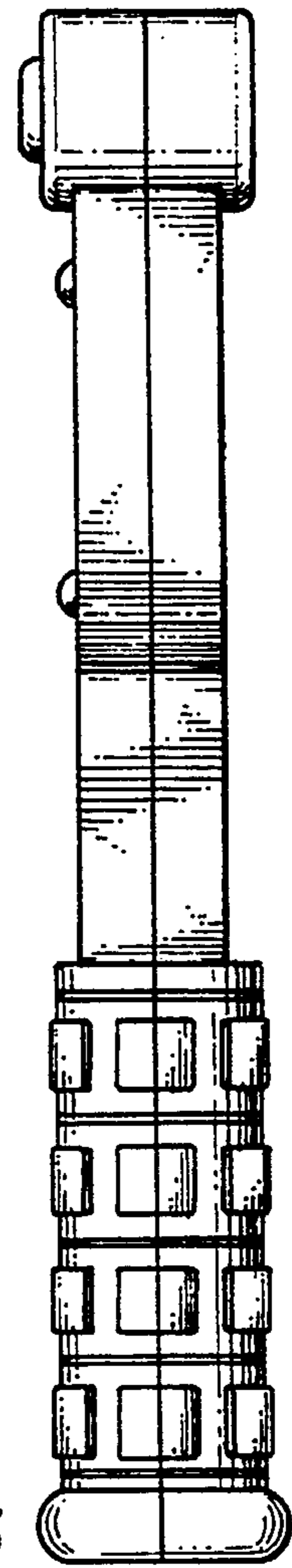


FIG. 3

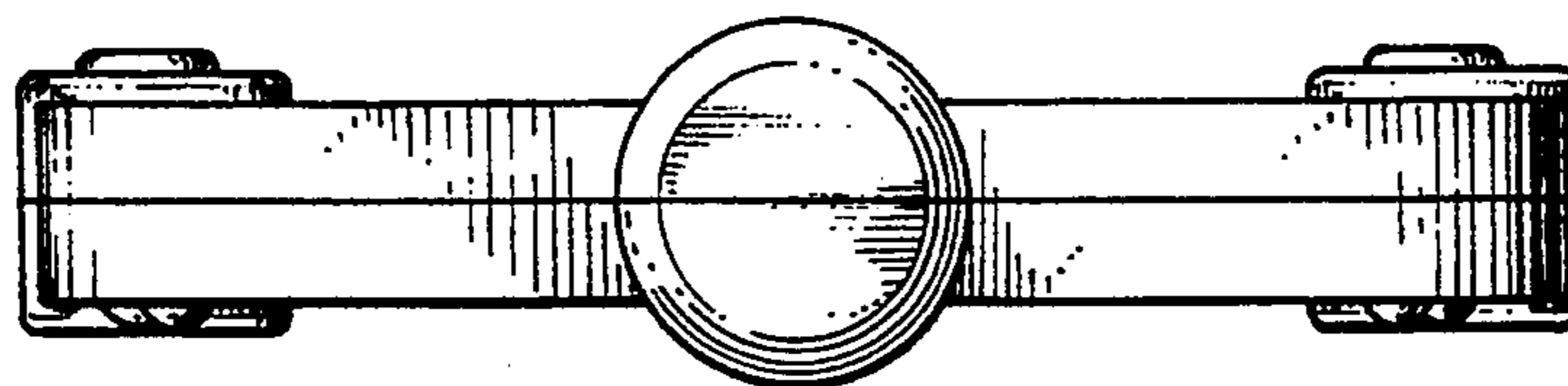


FIG. 4